

ARM®-based 32-bit Cortex®-M4F MCU+FPU with 256 to 1024 KB Flash, sLib, USB, Ethernet, 2 CANs, 17 timers, 3 ADCs, 21 communication interfaces

Feature

- **Core: ARM®32-bit Cortex®-M4F CPU with FPU**
 - 240 MHz maximum frequency, with a Memory Protection Unit (MPU), single-cycle multiplication and hardware division
 - Floating Point Unit (FPU)
 - DSP instructions
- **Memories**
 - 256 to 1024 KBytes of Flash memory
 - sLib: configure any part of main Flash as a library area that is code executable but secured and non-readable
 - SPI interface: extra interfacing up to 16 Mbytes of external SPI Flash (as instruction/data memory)
 - Up to 96 + 128 KBytes of SRAM
 - External memory controller (XMC) with 2 Chip Select, supporting multiplexed SRAM/NOR/PSRAM and NAND memories
 - LCD parallel interface, 8080/6800 modes
- **Clock, Reset, and Power management**
 - 2.6 V ~ 3.6 V application supply and I/Os
 - Power on reset (POR)/ low voltage reset (LVR), and power voltage monitor (PVM)
 - 4 to 25 MHz crystal (HEXT)
 - Internal 48 MHz factory-trimmed RC (offering 1% accuracy at T_A=25 °C, 2.5 % accuracy at T_A=-40 to +105 °C), with automatic clock calibration (ACC)
 - Internal 40 kHz RC oscillator (LICK)
 - 32.768 kHz crystal oscillator (LEXT)
- **Low power consumption**
 - Sleep, DeepSleep, and Standby modes
 - V_{BAT} supply for RTC and 42 x 16-bit battery powered registers (BPR)
- **3 x 12-bit 0.5 μs A/D converters, up to 16 channels**
 - Conversion range: 0 V to 3.6 V
 - Triple sample and hold capability
 - Temperature sensor
- **2 x 12-bit D/A converters**
- **DMA: 14-channel DMA controller**
 - Peripherals supported: timers, ADCs, SDIOs, I²Ss, SPIs, I²Cs, and USARTs
- **Debug Mode**
 - Serial wire debug (SWD) and JTAG interface
 - Cortex®-M4F Embedded Trace Macrocell (ETM™)
- **Up to 80 Fast I/O Interfaces**
 - 37/51/80 multifunctional and bidirectional I/Os, all mappable to 16 external interrupt vectors and almost 5 V-tolerant
 - All fast I/Os, control registers accessible with f_{AHB} speed
- **Up to 17 Timers**
 - Up to 8 x 16-bit general-purpose timers + 2 x 32-bit general-purpose timers; each with 4 IC/OC/PWM or pulse counter and quadrature (incremental) encoder input.
 - Up to 2 x 16-bit motor control PWM advanced timers with dead-time generator and emergency brake
 - 2 x Watchdog timers
 - SysTick timer: 24-bit downcounter
 - 2 x 16-bit basic timers to drive the DAC
- **Up to 21 Communication Interfaces**
 - Up to 3 x I²C interfaces (SMBus/PMBus)
 - Up to 8 x USARTs (ISO7816 interface, LIN, IrDA capability, and modem control)
 - Up to 4 x SPIs (50 Mbit/s), all with I²S interface multiplexed, I²S2/I²S3 support full-duplex
 - Up to 2 x CAN interfaces (2.0B Active)
 - USB2.0 full-speed interface supporting Crystal-less
 - Up to 2 x SDIO interfaces
 - 10/100M Ethernet MAC with dedicated DMA and SRAM(4 KBytes): IEEE 1588 hardware support, MII/RMII available
- **CRC Calculation Unit**
- **96-bit unique ID (UID)**
- **Packages**
 - LQFP100 14x14 mm
 - LQFP64 10x10 mm
 - LQFP48 7x7 mm
 - QFN48 6 x6 mm
- **List of Models**

Internal Flash	Model
1024 KBytes	AT32F403ACGU7, AT32F403ACGT7, AT32F403ARGT7, AT32F403AVGT7, AT32F407RGT7, AT32F407VGT7, AT32F407AVGT7
512 KBytes	AT32F403ACEU7, AT32F403ACET7, AT32F403ARET7, AT32F403AVET7, AT32F407RET7, AT32F407VET7
256 KBytes	AT32F403ACCU7, AT32F403ACCT7, AT32F403ARCT7, AT32F403AVCT7, AT32F407RCT7, AT32F407VCT7, AT32F407AVCT7

Contents

1	System architecture	34
1.1	System overview	36
1.1.1	ARM Cortex™-M4F processor.....	36
1.1.2	Bit band	37
1.1.3	Interrupt and exception vectors.....	39
1.1.4	System Tick (SysTick)	42
1.1.5	Reset.....	42
1.2	List of abbreviations for registers	43
1.3	Device characteristics information	44
1.3.1	Flash memory size register.....	44
1.3.2	Device electronic signature	44
2	Memory resources	45
2.1	Internal memory address map	45
2.2	Flash memory	46
2.3	SRAM memory	47
2.4	Peripheral address map	47
3	Power control (PWC)	50
3.1	Introduction	50
3.2	Main Features.....	50
3.3	POR/LVR	50
3.4	Power voltage monitor (PVM)	51
3.5	Power domain.....	52
3.6	Power saving modes	52
3.7	PWC registers	54
3.7.1	Power control register (PWC_CTRL).....	54
3.7.2	Power control/status register (PWC_CTRLSTS)	55
4	Clock and reset manage (CRM).....	56
4.1	Clock	56

4.1.1	Clock sources.....	56
4.1.2	System clock	57
4.1.3	Peripheral clock.....	57
4.1.4	Clock fail detector	58
4.1.5	Auto step-by-step system clock switch.....	58
4.1.6	Internal clock output.....	58
4.1.7	Interrupts	58
4.2	Reset.....	58
4.2.1	System reset	58
4.2.2	Battery powered domain reset	59
4.3	CRM registers.....	59
4.3.1	Clock control register (CRM_CTRL).....	60
4.3.2	Clock configuration register (CRM_CFG)	61
4.3.3	Clock interrupt register (CRM_CLKINT)	63
4.3.4	APB2 peripheral reset register (CRM_APB2RST)	64
4.3.5	APB1 peripheral reset register (CRM_APB1RST)	66
4.3.6	APB peripheral clock enable register (CRM_AHBEN)	67
4.3.7	APB2 peripheral clock enable register (CRM_AHB2EN)	68
4.3.8	APB1 peripheral clock enable register (CRM_AHB1EN)	70
4.3.9	Battery powered domain control register (CRM_BPDC).....	71
4.3.10	Control/status register (CRM_CTRLSTS)	72
4.3.11	AHB peripheral reset register (CRM_AHBRST)	73
4.3.12	Additional register1 (CRM_MISC1)	73
4.3.13	Additional register2 (CRM_MISC2)	73
4.3.14	Additional register3 (CRM_MISC3)	74
4.3.15	Interrupt map register (CRM_INTMAP).....	74
5	Flash memory controller (FLASH).....	75
5.1	Flash memory introduction.....	75
5.2	Flash memory operation	79
5.2.1	Unlock/lock.....	79
5.2.2	Erase operation	80
5.2.3	Programming operation.....	82
5.2.4	Read operation	83
5.3	External memory operation	83

5.4	User system data area operation	83
5.4.1	Unlock/lock.....	83
5.4.2	Erase operation	83
5.4.3	Programming operation.....	84
5.4.4	Read operation	85
5.5	Flash memory protection.....	85
5.5.1	Access protection.....	86
5.5.2	Erase/program protection	86
5.6	Special functions	86
5.6.1	Security library settings	86
5.7	Flash memory registers	88
5.7.1	Flash performance select register (FLASH_PSR)	88
5.7.2	Flash unlock register (FLASH_UNLOCK).....	88
5.7.3	Flash user system data unlock register (FLASH_USD_UNLOCK) ...	89
5.7.4	Flash status register (FLASH_STS)	89
5.7.5	Flash control register (FLASH_CTRL).....	89
5.7.6	Flash address register (FLASH_ADDR).....	90
5.7.7	User system data register (FLASH_USD)	90
5.7.8	Erase/program protection status register (FLASH_EPPS)	90
5.7.9	Flash unlock register2 (FLASH_UNLOCK2)	90
5.7.10	Flash status register2 (FLASH_STS2)	91
5.7.11	Flash control register2 (FLASH_CTRL2)	91
5.7.12	Flash address register2 (FLASH_ADDR2)	92
5.7.13	Flash unlock register3 (FLASH_UNLOCK3)	92
5.7.14	Flash select register (FLASH_SELECT)	92
5.7.15	Flash status register3 (FLASH_STS3)	92
5.7.16	Flash control register3 (FLASH_CTRL3)	92
5.7.17	Flash address register3 (FLASH_ADDR3)	93
5.7.18	Flash decryption address register (FLASH_DA)	93
5.7.19	Flash security library status register (SLIB_STS0)	93
5.7.20	Flash security library status register1 (SLIB_STS1).....	94
5.7.21	Flash security library password clear register (SLIB_PWD_CLR) ...	94
5.7.22	Security library additional status register (SLIB_MISC_STS)	94
5.7.23	Security library password setting register (SLIB_SET_PWD)	95
5.7.24	Security library address setting register (SLIB_SET_RANGE)	95

5.7.25	Security library unlock register (SLIB_UNLOCK)	95
5.7.26	Flash CRC check control register (FLASH_CRC_CTRL).....	96
5.7.27	Flash CRC check result register (FLASH_CRC_CHKR).....	96
6	General-purpose I/Os (GPIOs)	97
6.1	Introduction	97
6.2	Function overview.....	97
6.2.1	GPIO structure.....	97
6.2.2	GPIO reset status.....	98
6.2.3	General-purpose input configuration.....	98
6.2.4	Analog input/output configuration.....	98
6.2.5	General-purpose output configuration.....	98
6.2.6	I/O port protection.....	98
6.3	GPIO registers	99
6.3.1	GPIO configuration register low (GPIOx_CFGLR) (x=A..E).....	99
6.3.2	GPIO configuration register high (GPIOx_CFGHR) (A..E).....	100
6.3.3	GPIO input data register (GPIOx_IDT) (x=A..E)	100
6.3.4	GPIO output data register (GPIOx_ODT) (x=A..E)	100
6.3.5	GPIO set/clear register (GPIOx_SCR) (x=A..E)	101
6.3.6	GPIO clear register (GPIOx_CLR) (x=A..E)	101
6.3.7	GPIO write protection register (GPIOx_WPR) (x=A..E)	101
6.3.8	GPIO huge current control register (GPIOx_HDRV) (x=A..E)	101
7	Multiplex function I/Os (IOMUX).....	102
7.1	Introduction	102
7.2	Function overview.....	102
7.2.1	IOMUX structure	102
7.2.2	MUX Input configuration.....	103
7.2.3	MUX output or bidirectional MUX configuration.....	103
7.2.4	IOMUX map priority.....	103
7.2.4.1	Hardware preemption.....	104
7.2.4.2	Debug port priority	104
7.2.4.3	Other peripheral output priority	104
7.2.5	External interrupt/wake-up lines.....	104
7.3	Multiplexed input/output (IOMUX)	105

7.4	IOMUX registers	112
7.4.1	Event output control register (IOMUX_EVTOUT)	112
7.4.2	IOMUX remap register (IOMUX_REMAP)	113
7.4.3	IOMUX external interrupt configuration register1 (IOMUX_EXINTC1)	115
7.4.4	IOMUX external interrupt configuration register2 (IOMUX_EXINTC2)	116
7.4.5	IOMUX external interrupt configuration register3 (IOMUX_EXINTC3)	117
7.4.6	IOMUX external interrupt configuration register4 (IOMUX_EXINTC4)	117
7.4.7	IOMUX remap register2 (IOMUX_REMAP2)	118
7.4.8	IOMUX remap register3 (IOMUX_REMAP3)	119
7.4.9	IOMUX remap register4 (IOMUX_REMAP4)	119
7.4.10	IOMUX remap register5 (IOMUX_REMAP5)	120
7.4.11	IOMUX remap register6 (IOMUX_REMAP6)	121
7.4.12	IOMUX remap register7 (IOMUX_REMAP7)	122
7.4.13	IOMUX remap register8 (IOMUX_REMAP8)	124
8	External interrupt/Event controller (EXINT)	125
8.1	EXINT introduction	125
8.2	Function overview and configuration procedure	125
8.3	EXINT registers	126
8.3.1	Interrupt enable register (EXINT_INTEN)	126
8.3.2	Event enable register (EXINT_EVTEN)	126
8.3.3	Polarity configuration register1 (EXINT_POLCFG1)	126
8.3.4	Polarity configuration register2 (EXINT_POLCFG2)	127
8.3.5	Software trigger register (EXINT_SWTRG)	127
8.3.6	Interrupt status register (EXINT_INTSTS)	127
9	DMA controller (DMA)	128
9.1	Introduction	128
9.2	Main features	128
9.3	Function overview	129
9.3.1	DMA configuration	129
9.3.2	Handshake mechanism	129
9.3.3	Arbiter	130
9.3.4	Programmable data transfer width	130
9.3.5	Errors	131

9.3.6	Interrupts	131
9.3.7	Fixed DMA request mapping	131
9.3.8	Flexible DMA request mapping	133
9.4	DMA registers	134
9.4.1	DMA interrupt status register (DMA_STS)	135
9.4.2	DMA interrupt flag clear register (DMA_CLR)	137
9.4.3	DMA channelx configuration register (DMA_CxCTRL) (x = 1...7)...	139
9.4.4	DMA channelx number of data register (DMA_CxDTCNT) (x = 1...7)	140
9.4.5	DMA channelx peripheral address register (DMA_CxPADDR) (x = 1...7)	140
9.4.6	DMA channelx memory address register (DMA_CxMADDR) (x = 1...7)	140
9.4.7	Channel source register (DMA_SRC_SEL0)	140
9.4.8	Channel source register1 (DMA_SRC_SEL1)	141
10	CRC calculation unit (CRC)	142
10.1	CRC introduction	142
10.2	CRC functional description	142
10.3	CRC registers	143
10.3.1	Data register (CRC_DT)	143
10.3.2	Common data register (CRC_CDT)	143
10.3.3	Control register (CRC_CTRL)	144
10.3.4	Initialization register (CRC_IDT)	144
11	I²C interface	145
11.1	I ² C introduction	145
11.2	I ² C main features	145
11.3	I ² C function overview	145
11.4	I ² C interface	146
11.4.1	I ² C slave communication flow	148
11.4.2	I ² C master communication flow	150
11.4.3	Utilize DMA for data transfer	157
11.4.4	SMBus	157
11.4.5	I ² C interrupt requests	159
11.4.6	I ² C debug mode	159
11.5	I ² C registers	160

- 11.5.1 Control register1 (I2C_CTRL1) 160
- 11.5.2 Control register2 (I2C_CTRL2) 161
- 11.5.3 Own address register1 (I2C_OADDR1) 162
- 11.5.4 Own address register2 (I2C_OADDR2) 162
- 11.5.5 Data register (I2C_DT)..... 163
- 11.5.6 Status register1 (I2C_STS1)..... 163
- 11.5.7 Status register2 (I2C_STS2)..... 165
- 11.5.8 Clock control register (I2C_CLKCTRL)..... 166
- 11.5.9 I2C timer rise time register (I2C_TMRISE) 166

12 Universal synchronous/asynchronous receiver/transmitter (USART) 167

- 12.1 USART introduction 167
- 12.2 Full-duplex/half-duplex selector 169
- 12.3 Mode selector 169
 - 12.3.1 Introduction 169
 - 12.3.2 Configuration procedure..... 169
- 12.4 USART frame format and configuration 172
- 12.5 DMA transfer introduction 173
 - 12.5.1 Transmission using DMA 173
 - 12.5.2 Reception using DMA 173
- 12.6 Baud rate generation 174
 - 12.6.1 Introduction 174
 - 12.6.2 Configuration 174
- 12.7 Transmitter 175
 - 12.7.1 Transmitter introduction 175
 - 12.7.2 Transmitter configuration 175
- 12.8 Receiver 176
 - 12.8.1 Receiver introduction..... 176
 - 12.8.2 Receiver configuration 176
 - 12.8.3 Start bit and noise detection 177
- 12.9 Interrupt requests 178
- 12.10 I/O pin control..... 179
- 12.11 USART registers 179
 - 12.11.1 Status register (USART_STS) 179

12.11.2	Data register (USART_DT)	180
12.11.3	Baud rate register (USART_BAUDR)	180
12.11.4	Control register1 (USART_CTRL1)	181
12.11.5	Control register2 (USART_CTRL2)	182
12.11.6	Control register3 (USART_CTRL3)	183
12.11.7	Guard time and divider register (GDIV)	184
13	Serial peripheral interface (SPI).....	185
13.1	SPI introduction	185
13.2	Function overview.....	185
13.2.1	SPI description	185
13.2.2	Full-duplex/half-duplex selector	186
13.2.3	Chip select controller.....	188
13.2.4	SPI_SCK controller.....	189
13.2.5	CRC	189
13.2.6	DMA transfer	190
13.2.7	Transmitter.....	190
13.2.8	Receiver	191
13.2.9	Interrupt.....	192
13.2.10	IO pin control	192
13.2.11	Precautions.....	193
13.3	I ² S functional description	193
13.3.1	I ² S introduction.....	193
13.3.2	I ² S full-duplex.....	194
13.3.3	Operation mode selector	194
13.3.4	Audio protocol selector	195
13.3.5	I ² S_CLK controller	196
13.3.6	DMA transfer	199
13.3.7	Transmitter/Receiver	199
13.3.8	Interrupts	200
13.3.9	IO pin control.....	200
13.4	SPI registers.....	201
13.4.1	SPI control register1 (SPI_CTRL1) (Not used in I ² S mode).....	201
13.4.2	SPI control register2 (SPI_CTRL2).....	202
13.4.3	SPI status register (SPI_STS).....	203

13.4.4	SPI data register (SPI_DT).....	204
13.4.5	SPI CRC register (SPI_CPOLY) (Not used in I ² S mode).....	204
13.4.6	SPI Rx CRC register (SPI_RCRC) (Not used in I ² S mode).....	204
13.4.7	SPI Tx CRC register (SPI_TCRC)	204
13.4.8	SPI_I2S register (SPI_I2SCTRL).....	204
13.4.9	SPI_I2S prescaler register (SPI_I2SCLKP).....	205
14	Timer.....	206
14.1	Basic timer (TMR6 and TMR7)	207
14.1.1	TMR6 and TMR7 introduction	207
14.1.2	TMR6 and TMR7 main features.....	207
14.1.3	TMR6 and TMR7 function overview	207
14.1.3.1	Count clock.....	207
14.1.3.2	Counting mode	207
14.1.3.3	Debug mode	209
14.1.4	TMR6 and TMR7 registers.....	209
14.1.4.1	TMR6 and TMR7 control register1 (TMRx_CTRL1).....	210
14.1.4.2	TMR6 and TMR7 control register2 (TMRx_CTRL2).....	210
14.1.4.3	TMR6 and TMR7 DMA/interrupt enable register (TMRx_IDEN)..	211
14.1.4.4	TMR6 and TMR7 interrupt status register (TMRx_ISTS)	211
14.1.4.5	TMR6 and TMR7 software event register (TMRx_SWEVT)	211
14.1.4.6	TMR6 and TMR7 counter value (TMRx_CVAL).....	211
14.1.4.7	TMR6 and TMR7 division (TMRx_DIV)	211
14.1.4.8	TMR6 and TMR7 period register (TMRx_PR)	211
14.2	General-purpose timer (TMR2 to TMR5)	212
14.2.1	TMRx introduction.....	212
14.2.2	TMRx main features	212
14.2.3	TMRx functional overview	213
14.2.3.1	Counting clock.....	213
14.2.3.2	Counting mode	216
14.2.3.3	TMR input function	219
14.2.3.4	TMR output function	221
14.2.3.5	TMR synchronization	224
14.2.3.6	Debug mode	227
14.2.4	TMRx registers	227
14.2.4.1	Control register1 (TMRx_CTRL1).....	228
14.2.4.2	Control register2 (TMRx_CTRL2).....	229

14.2.4.3	Slave timer control register (TMRx_STCTRL)	229
14.2.4.4	DMA/interrupt enable register (TMRx_IDEN)	230
14.2.4.5	Interrupt status register (TMRx_ISTS).....	231
14.2.4.6	Software event register (TMRx_SWEVT)	232
14.2.4.7	Channel mode register1 (TMRx_CM1).....	233
14.2.4.8	Channel mode register2 (TMRx_CM2).....	235
14.2.4.9	Channel control register (TMRx_CCTRL)	236
14.2.4.10	Counter value (TMRx_CVAL).....	237
14.2.4.11	Division value (TMRx_DIV)	237
14.2.4.12	Period register (TMRx_PR).....	237
14.2.4.13	Channel 1 data register (TMRx_C1DT)	237
14.2.4.14	Channel 2 data register (TMRx_C2DT)	237
14.2.4.15	Channel 3 data register (TMRx_C3DT)	238
14.2.4.16	Channel 4 data register (TMRx_C4DT)	238
14.2.4.17	DMA control register (TMRx_DMACTRL).....	238
14.2.4.18	DMA data register (TMRx_DMADT).....	239
14.3	General-purpose timer (TMR9 to TMR14)	239
14.3.1	TMRx introduction.....	239
14.3.2	TMRx main features	239
14.3.2.1	TMR9 and TMR12 main features.....	239
14.3.2.2	TMR10, TMR11, TMR13 and TMR14 main features	239
14.3.3	TMRx functional overview	240
14.3.3.1	Counting clock.....	240
14.3.3.2	Counting mode	242
14.3.3.3	TMR input function	243
14.3.3.4	TMR output function	245
14.3.3.5	TMR synchronization	248
14.3.3.6	Debug mode	249
14.3.4	TMR9 and TMR12 registers.....	249
14.3.4.1	Control register1 (TMRx_CTRL1).....	250
14.3.4.2	Slave timer control register (TMRx_STCTRL)	251
14.3.4.3	DMA/interrupt enable register (TMRx_IDEN)	251
14.3.4.4	Interrupt status register (TMRx_ISTS).....	252
14.3.4.5	Software event register (TMRx_SWEVT)	252
14.3.4.6	Channel mode register1 (TMRx_CM1).....	253
14.3.4.7	Channel control register (TMRx_CCTRL)	255
14.3.4.8	Counter value (TMRx_CVAL)	255
14.3.4.9	Division value (TMRx_DIV).....	256

14.3.4.10	Period register (TMRx_PR).....	256
14.3.4.11	Channel 1 data register (TMRx_C1DT)	256
14.3.4.12	Channel 2 data register (TMRx_C2DT)	256
14.3.5	TMR10, TMR11, TMR13 and TMR14 registers	257
14.3.5.1	Control register1 (TMRx_CTRL1).....	258
14.3.5.2	DMA/interrupt enable register (TMRx_IDEN)	258
14.3.5.3	Interrupt status register (TMRx_ISTS).....	258
14.3.5.4	Software event register (TMRx_SWEVT)	259
14.3.5.5	Channel mode register1 (TMRx_CM1).....	259
14.3.5.6	Channel control register (TMRx_CCTRL)	261
14.3.5.7	Counter value (TMRx_CVAL)	261
14.3.5.8	Division value (TMRx_DIV).....	261
14.3.5.9	Period register (TMRx_PR).....	261
14.3.5.10	Channel 1 data register (TMRx_C1DT)	262
14.4	Advanced-control timers (TMR1 and TMR8)	262
14.4.1	TMR1 and TMR8 introduction	262
14.4.2	TMR1 and TMR8 main features.....	262
14.4.3	TMR1 and TMR8 functional overview.....	263
14.4.3.1	Counting clock.....	263
14.4.3.2	Counting mode	266
14.4.3.3	TMR input function	271
14.4.3.4	TMR output function	273
14.4.3.5	TMR break function	277
14.4.3.6	TMR synchronization	279
14.4.3.7	Debug mode	280
14.4.4	TMR1 and TMR8 registers.....	280
14.4.4.1	TMR1 and TMR8 control register1 (TMRx_CTRL1).....	281
14.4.4.2	TMR1 and TMR8 control register2 (TMRx_CTRL2).....	282
14.4.4.3	TMR1 and TMR8 slave timer control register (TMRx_STCTRL) .	283
14.4.4.4	TMR1 and TMR8 DMA/interrupt enable register (TMRx_IDEN)..	284
14.4.4.5	TMR1 and TMR8 interrupt status register (TMRx_ISTS).....	285
14.4.4.6	Software event register (TMRx_SWEVT)	286
14.4.4.7	TMR1 and TMR8 channel mode register1 (TMRx_CM1)	287
14.4.4.8	Channel mode register2 (TMRx_CM2).....	289
14.4.4.9	Channel control register (TMRx_CCTRL)	290
14.4.4.10	TMR1 and TMR8 counter value (TMRx_CVAL)	292
14.4.4.11	TMR1 and TMR8 division value (TMRx_DIV).....	293
14.4.4.12	TMR1 and TMR8 period register (TMRx_PR)	293

14.4.4.13	TMR1 and TMR8 repetition period register (TMRx_RPR)	293
14.4.4.14	TMR1 and TMR8 channel 1 data register (TMRx_C1DT)	293
14.4.4.15	TMR1 and TMR8 channel 2 data register (TMRx_C2DT)	293
14.4.4.16	TMR1 and TMR8 channel 3 data register (TMRx_C3DT)	293
14.4.4.17	TMR1 and TMR8 channel 4 data register (TMRx_C4DT)	294
14.4.4.18	TMR1 and TMR8 break register (TMRx_BRK).....	294
14.4.4.19	TMR1 and TMR8 DMA control register (TMRx_DMACTRL) ..	295
14.4.4.20	TMR1 and TMR8 DMA data register (TMRx_DMADT)	295
15	Window watchdog timer (WWDT)	296
15.1	WWDT introduction	296
15.2	WWDT main features	296
15.3	WWDT functional overview	296
15.4	Debug mode	297
15.5	WWDT registers	297
15.5.1	Control register (WWDT_CTRL).....	297
15.5.2	Configuration register (WWDT_CFG)	297
15.5.3	Status register (WWDT_STS)	298
16	Watchdog timer (WDT).....	299
16.1	WDT introduction	299
16.2	WDT main features	299
16.3	WDT functional overview	299
16.4	Debug mode	300
16.5	WDT registers.....	300
16.5.1	Command register (WDT_CMD)	301
16.5.2	Divider register (WDT_DIV)	301
16.5.3	Reload register (WDT_RLD)	301
16.5.4	Status register (WDT_STS)	301
17	Real-time clock (RTC)	302
17.1	RTC introduction.....	302
17.2	RTC main features	302
17.3	RTC structure	302
17.4	RTC functional overview	303

17.4.1	Configuring RTC registers	303
17.4.2	Reading RTC registers.....	304
17.4.3	RTC interrupts	304
17.5	RTC registers	305
17.5.1	RTC control register high (RTC_CTRLH).....	305
17.5.2	RTC control register low (RTC_CTRLL)	306
17.5.3	RTC divider register (RTC_DIVH/RTC_DIVL).....	306
17.5.4	RTC divider counter register (RTC_DIVCNTH/RTC_DIVCNTL)	307
17.5.5	RTC counter value register (RTC_CNTH/RTC_CNTL)	307
17.5.6	RTC alarm register (RTC_TAH/RTC_TAL).....	307
18	Battery powered registers (BPR)	308
18.1	BPR introduction.....	308
18.2	BPR main features	308
18.3	BPR functional overview	308
18.4	BPR registers	308
18.4.1	Battery powered data register x (BPR_DT _x) (x = 1 ... 42).....	309
18.4.2	RTC calibration register (BPR_RTCCAL).....	309
18.4.3	BPR control register (BPR_CTRL)	310
18.4.4	BPR control/status register (BPR_CTRLSTS)	311
19	Analog-to-digital converter (ADC).....	312
19.1	ADC introduction	312
19.2	ADC main features.....	312
19.3	ADC structure	312
19.4	ADC functional overview	313
19.4.1	Channel management.....	313
19.4.1.1	Internal temperature sensor.....	314
19.4.1.2	Internal reference voltage	314
19.4.2	ADC operation process	314
19.4.2.1	Power-on and calibration	315
19.4.2.2	Trigger	315
19.4.2.3	Sampling and conversion sequence.....	316
19.4.3	Conversion sequence management.....	317
19.4.3.1	Sequence mode.....	317

19.4.3.2	Automatic preempted group conversion mode.....	317
19.4.3.3	Repetition mode.....	318
19.4.3.4	Partition mode.....	318
19.4.4	Data management.....	319
19.4.4.1	Data alignment.....	319
19.4.4.2	Data read.....	319
19.4.5	Voltage monitor.....	319
19.4.6	Status flag and interrupts.....	319
19.5	Master/Slave mode.....	320
19.5.1	Data management.....	320
19.5.2	Regular simultaneous mode.....	320
19.5.3	Alternate preempted trigger mode.....	321
19.5.4	Regular switch mode.....	322
19.6	ADC registers.....	323
19.6.1	ADC status register (ADC_STS).....	324
19.6.2	ADC control register1 (ADC_CTRL1).....	324
19.6.3	ADC control register2 (ADC_CTRL2).....	326
19.6.4	ADC sampling time register 1 (ADC_SPT1).....	328
19.6.5	ADC sampling time register 2 (ADC_SPT2).....	330
19.6.6	ADC preempted channel data offset register x (ADC_PCDTOx) (x=1..4)	332
19.6.7	ADC voltage monitor high threshold register (ADC_VWHB).....	332
19.6.8	ADC voltage monitor low threshold register (ADC_VWLB).....	332
19.6.9	ADC ordinary sequence register 1 (ADC_OSQ1).....	332
19.6.10	ADC ordinary sequence register 2 (ADC_OSQ2).....	332
19.6.11	ADC ordinary sequence register 3 (ADC_OSQ3).....	333
19.6.12	ADC preempted sequence register (ADC_PSQ).....	333
19.6.13	ADC preempted data register x (ADC_PDTx) (x=1..4).....	333
19.6.14	ADC ordinary data register (ADC_ODT).....	333
20	Digital-to-analog converter (DAC).....	334
20.1	DAC introduction.....	334
20.2	DAC main features.....	334
20.3	Design tips.....	334
20.4	Function overview.....	335

20.4.1	Trigger events	335
20.4.2	Noise/Triangular-wave generation	335
20.4.3	DAC data alignment.....	337
20.5	DAC registers	337
20.5.1	DAC control register (DAC_CTRL).....	337
20.5.2	DAC software trigger register (DAC_SWTRG).....	340
20.5.3	DAC1 12-bit right-aligned data holding register (DAC_ D1DTH12R).....	340
20.5.4	DAC1 12-bit left-aligned data holding register (DAC_ D1DTH12L).....	340
20.5.5	DAC1 8-bit right-aligned data holding register (DAC_ D1DTH8R).....	340
20.5.6	DAC2 12-bit right-aligned data holding register (DAC_ D2DTH12R).....	340
20.5.7	DAC2 12-bit left-aligned data holding register (DAC_ D2DTH12L).....	341
20.5.8	DAC2 8-bit right-aligned data holding register (DAC_ D2DTH8R).....	341
20.5.9	Dual DAC 12-bit right-aligned data holding register (DAC_ DDTH12R).....	341
20.5.10	Dual DAC 12-bit left-aligned data holding register (DAC_ DDTH12L).....	341
20.5.11	Dual DAC 8-bit right-aligned data holding register (DAC_ DDTH8R).....	341
20.5.12	DAC1 data output register (DAC_ D1ODT).....	341
20.5.13	DAC2 data output register (DAC_ D2ODT).....	341
21	CAN	342
21.1	CAN introduction	342
21.2	CAN main features.....	342
21.3	Baud rate.....	342
21.4	Interrupt management.....	345
21.5	Interrupt management.....	346
21.6	Function overview.....	346
21.6.1	General description	346
21.6.2	Operating modes.....	347
21.6.3	Test modes	347
21.6.4	Message filtering.....	348
21.6.5	Message transmission	350
21.6.6	Message reception	352
21.6.7	Error management.....	352
21.7	CAN registers	353
21.7.1	CAN control and status registers.....	354
21.7.1.1	CAN master control register (CAN_MCTRL)	354

21.7.1.2	CAN master status register (CAN_MSTS)	355
21.7.1.3	CAN transmit status register (CAN_TSTS)	357
21.7.1.4	CAN receive FIFO 0 register (CAN_RF0)	359
21.7.1.5	CAN receive FIFO 1 register (CAN_RF1)	360
21.7.1.6	CAN interrupt enable register (CAN_INTEN)	361
21.7.1.7	CAN error status register (CAN_ESTS)	362
21.7.1.8	CAN bit timing register (CAN_BTMG)	363
21.7.2	CAN mailbox registers	364
21.7.2.1	Transmit mailbox identifier register (CAN_TMIx) (x=0..2)	364
21.7.2.2	Transmit mailbox data length and time stamp register (CAN_TMCx) (x=0..2)	365
21.7.2.3	Transmit mailbox data low register (CAN_TMDTLx) (x=0..2)	365
21.7.2.4	Transmit mailbox data high register (CAN_TMDTHx) (x=0..2)	365
21.7.2.5	Receive FIFO mailbox identifier register (CAN_RFIx) (x=0..1) ..	365
21.7.2.6	Receive FIFO mailbox data length and time stamp register (CAN_RFCx) (x=0..1) ..	366
21.7.2.7	Receive FIFO mailbox data low register (CAN_RFDTLx) (x=0..1) ..	366
21.7.2.8	Receive FIFO mailbox data high register (CAN_RFDTHx) (x=0..1) ..	366
21.7.3	CAN filter registers	367
21.7.3.1	CAN filter control register (CAN_FCTRL)	367
21.7.3.2	CAN filter mode configuration register (CAN_FMCFG)	367
21.7.3.3	CAN filter bit width configuration register (CAN_FBWCFG)	367
21.7.3.4	CAN filter FIFO association register (CAN_FRF)	367
21.7.3.5	CAN filter activation control register (CAN_FACFG)	367
21.7.3.6	CAN filter bank i filter bit register (CAN_FiFBx) (i=0..13; x=1..2) ..	368
22	External memory controller	369
22.1	XMC introduction	369
22.2	XMC main features	369
22.3	XMC architecture	370
22.3.1	Block diagram	370
22.3.2	Address mapping	371
22.4	NOR/PSRAM	372
22.4.1	Operation mode	372
22.4.2	Access mode	373
22.4.2.1	Read/write operation with the same timings	373
22.4.2.2	Read/write operation with different timings	378

22.4.2.3	Multiplexed mode	386
22.4.2.4	Synchronous mode	388
22.5	NAND	390
22.5.1	Operation mode	390
22.5.2	Access timings	391
22.5.3	ECC computation	393
22.6	XMC registers	393
22.6.1	NOR Flash and PSRAM control registers	394
22.6.1.1	SRAM/NOR Flash chip select control register 1 (XMC_BK1CTRL1)	394
22.6.1.2	SRAM/NOR Flash chip select control register 4 (XMC_BK1CTRL4)	395
22.6.1.3	SRAM/NOR Flash chip select timing register 1, 4 (XMC_BK1CTRL1, 4)	397
22.6.1.4	SRAM/NOR Flash write timing register 1, 4 (XMC_BK1 TMGWR1, 4)	398
22.6.1.5	SRAM/NOR Flash extra timing register 1, 4 (XMC_EXT1, 4)	398
22.6.2	NAND Flash control registers	399
22.6.2.1	NAND Flash control register 2 (XMC_BK2CTRL)	399
22.6.2.2	Interrupt enable and FIFO status register 2 (XMC_BK2IS)	400
22.6.2.3	Regular memory timing register 2 (XMC_ BK2TMGRG)	400
22.6.2.4	Special memory timing register 2 (XMC_ BK2TMGSP)	401
22.6.2.5	ECC value register 2 (XMC_ BK2ECC)	401
23	SDIO interface	402
23.1	SDIO introduction	402
23.2	SDIO main features	402
23.3	SDIO main features	404
23.3.1	Card functional description	404
23.3.1.1	Card identification mode	404
23.3.1.2	Data transfer mode	405
23.3.1.3	Erase	406
23.3.1.4	Protection management	406
23.3.2	Commands and responses	409
23.3.2.1	Commands	409
23.3.2.2	Response formats	413
23.3.3	SDIO functional description	415
23.3.3.1	SDIO adapter	416
23.3.3.2	Data BUF	420

23.3.3.3	SDIO AHB interface	420
23.3.3.4	Hardware flow control	421
23.3.4	SDIO I/O card-specific operations	421
23.4	SDIO registers	422
23.4.1	SDIO power control register (SDIO_PWRCTRL).....	422
23.4.2	SDIO clock control register (SDIO_CLKCTRL).....	423
23.4.3	SDIO argument register (SDIO_ARG).....	424
23.4.4	SDIO command register (SDIO_CMD).....	424
23.4.5	SDIO command response register (SDIO_RSPCMD)	425
23.4.6	SDIO response 1..4 register (SDIO_RSPx)	425
23.4.7	SDIO data timer register (SDIO_DTTMR).....	425
23.4.8	SDIO data length register (SDIO_DTLEN)	425
23.4.9	SDIO data control register (SDIO_DTCTRL).....	426
23.4.10	SDIO data counter register (SDIO_DTCNTR)	427
23.4.11	SDIO status register (SDIO_STS).....	427
23.4.12	SDIO clear interrupt register (SDIO_INTCLR)	428
23.4.13	SDIO interrupt mask register (SDIO_INTEN)	429
23.4.14	SDIOBUF counter register (SDIO_BUFCNTR)	431
23.4.15	SDIO data BUF register (SDIO_BUF)	431
24	Universal serial bus full-speed device interface (USBFS)	432
24.1	USBFS introduction	432
24.2	USBFS clock and pin configuration	432
24.2.1	USB clock configuration.....	432
24.2.2	USB pin configuration.....	432
24.3	USBFS functional description	432
24.3.1	USB initialization.....	432
24.3.2	Endpoint configuration	433
24.3.3	USB buffer	433
24.3.4	Double-buffered endpoints	434
24.3.5	SOF output.....	435
24.3.6	Suspend/Resume	435
24.4	USBFS interrupts	435
24.5	USBFS registers	435
24.5.1	USBFS endpoint n register (USBFS_EPTn), n=[0..7]	436

24.5.2	USBFS control register (USBFS_CTRL)	437
24.5.3	USBFS interrupt status register (USBFS_INTSTS)	438
24.5.4	USBFS SOF frame number register (USBFS_SOFRNUM)	439
24.5.5	USBFS device address register (USBFS_DEVADDR)	439
24.5.6	USBFS buffer table address register (USBFS_BUFTBL)	439
24.5.7	USBFS CFG control register (USBFS_CFG)	439
24.5.8	USBFS transmission buffer first address register (USBFS_TnADDR)	440
24.5.9	USBFS transmission data length register (USBFS_TnLEN)	440
24.5.10	USBFS reception buffer first address register (USBFS_RnADDR)	440
24.5.11	USBFS reception data length register (USBFS_RnLEN)	440
25	HICK auto clock calibration (ACC)	441
25.1	ACC introduction	441
25.2	Main features	441
25.3	Interrupt requests	441
25.4	Functional description	442
25.5	Principle	443
25.6	Register description	444
25.6.1	Status register (ACC_STS)	444
25.6.2	Control register 1 (ACC_CTRL1)	445
25.6.3	Control register 2 (ACC_CTRL2)	446
25.6.4	Compare value 1 (ACC_C1)	446
25.6.5	Compare value 2 (ACC_C2)	446
25.6.6	Compare value 3 (ACC_C3)	447
26	Ethernet media access control (EMAC)	448
26.1	EMAC introduction	448
26.1.1	EMAC structure	448
26.1.2	EMAC main features	448
26.2	EMAC functional description	449
26.2.1	EMAC communication interfaces	449
26.2.2	EMAC frame communication	453
26.2.3	Ethernet frame transmission and reception using DMA	460
26.2.4	Ethernet frame transmission and reception using DMA	472
26.2.5	IEEE1588 precision time protocol	473

26.2.6	EMAC interrupts.....	477
26.3	EMAC registers.....	478
26.3.1	Ethernet MAC configuration register (EMAC_MACCTRL)	480
26.3.2	Ethernet MAC frame filter register (EMAC_MACFRMF).....	482
26.3.3	Ethernet MAC Hash table high register (EMAC_MACHTH)	484
26.3.4	Ethernet MAC Hash table low register (EMAC_MACHTL)	484
26.3.5	Ethernet MAC MII address register (EMAC_MACMIIADDR)	485
26.3.6	Ethernet MAC MII data register (EMAC_MACMIIDT).....	486
26.3.7	Ethernet MAC flow control register (EMAC_MACFCTRL)	486
26.3.8	Ethernet MAC VLAN tag register (EMAC_MACVLT).....	487
26.3.9	Ethernet MAC remote wakeup frame filter register (EMAC_MACRWFF)	488
26.3.10	Ethernet MAC PMT control and status register (EMAC_MACPMTCTRLSTS)	488
26.3.11	Ethernet MAC interrupt status register (EMAC_MACISTS).....	489
26.3.12	Ethernet MAC interrupt mask register (EMAC_MAIMR)	490
26.3.13	Ethernet MAC address 0 high register (EMAC_MACA0H)	490
26.3.14	Ethernet MAC address 0 low register (EMAC_MACA0L)	490
26.3.15	Ethernet MAC address 1 high register (EMAC_MACA1H)	490
26.3.16	Ethernet MAC address 1 low register (EMAC_MACA1L).....	491
26.3.17	Ethernet MAC address 2 high register (EMAC_MACA2H)	491
26.3.18	Ethernet MAC address 2 low register (EMAC_MACA2L)	492
26.3.19	Ethernet MAC address 3 high register (EMAC_MACA3H)	492
26.3.20	Ethernet MAC address 3 low register (EMAC_MACA3L)	493
26.3.21	Ethernet DMA bus mode register (EMAC_DMABM)	493
26.3.22	Ethernet DMA transmit poll demand register (EMAC_DMATPD) .	495
26.3.23	Ethernet DMA receive poll demand register (EMAC_DMARPD) ..	495
26.3.24	Ethernet DMA receive descriptor list address register (EMAC_DMARDLADDR)	495
26.3.25	Ethernet DMA transmit descriptor list address register (EMAC_DMATDLADDR)	496
26.3.26	Ethernet DMA status register (EMAC_DMASTS).....	496
26.3.27	Ethernet DMA operation mode register (EMAC_DMAOPM)	499
26.3.28	Ethernet DMA interrupt enable register (EMAC_DMAIE)	501
26.3.29	Ethernet DMA missed frame and buffer overflow counter register (EMAC_DMAMFBOCNT).....	503
26.3.30	Ethernet DMA current transmit descriptor register (EMAC_DMACTD)	503

26.3.31	Ethernet DMA current receive descriptor register (EMAC_DMACRD)	504
26.3.32	Ethernet DMA current transmit buffer address register (EMAC_DMACTBADDR)	504
26.3.33	Ethernet DMA current receive buffer address register (EMAC_DMACRBADDR)	504
26.3.34	Ethernet MMC control register (EMAC_MMCCTRL)	504
26.3.35	Ethernet MMC receive interrupt register (EMAC_MMCRIM)	504
26.3.36	Ethernet MMC transmit interrupt register (EMAC_MMCTI)	505
26.3.37	Ethernet MMC receive interrupt register (EMAC_MMCRIM)	505
26.3.38	Ethernet MMC transmit interrupt register (EMAC_MMCTIM)	506
26.3.39	Ethernet MMC transmitted good frame single collision counter register (EMAC_MMCTFSCC)	506
26.3.40	Ethernet MMC transmitted good frame more than a single collision counter register (EMAC_MMCTFMSCC)	506
26.3.41	Ethernet MMC transmitted good frames counter register (EMAC_MMCTFCNT)	507
26.3.42	Ethernet MMC received frames with CRC error counter register (EMAC_MMCRFCECR)	507
26.3.43	Ethernet MMC received frames with alignment error counter register (EMAC_MMCRFAECNT)	507
26.3.44	Ethernet MMC received good unicast frames counter register (EMAC_MMCRGUFcnt)	507
26.3.45	Ethernet PTP time stamp control register (EMAC_PTPTSCTRL)	507
26.3.46	Ethernet PTP subsecond increment register (EMAC_PTPSSINC)	509
26.3.47	Ethernet PTP time stamp high register (EMAC_PTPTSH)	509
26.3.48	Ethernet PTP time stamp low register (EMAC_PTPTSL)	510
26.3.49	Ethernet PTP time stamp high update register (EMAC_PTPTSHUD)	510
26.3.50	Ethernet PTP time stamp low update register (EMAC_PTPTSLUD)	510
26.3.51	Ethernet PTP time stamp addend register (EMAC_PTPTSAD)	510
26.3.52	Ethernet PTP target time high register (EMAC_PTPTTH)	511
26.3.53	Ethernet PTP target time low register (EMAC_PTPTTL)	511
26.3.54	Ethernet PTP time stamp status register (EMAC_PTPTSSR)	511
26.3.55	Ethernet PTP PPS register (EMAC_PTPPPSCR)	512
27	Debug (DEBUG)	513
27.1	Debug introduction	513

27.2	Debug and Trace	513
27.3	I/O pin control.....	513
27.4	DEBUG registers	514
27.4.1	DEBUG device ID (DEBUG_IDCODE)	514
27.4.2	DEBUG control register (DEBUG_CTRL).....	515
28	Revision history	517

List of figures

Figure 1-1 AT32F403A/407 Series microcontrollers system architecture.....	35
Figure 1-2 Internal block diagram of Cortex®-M4F.....	36
Figure 1-3 Comparison between bit-band region and its alias region: image A.....	37
Figure 1-4 Comparison between bit-band region and its alias region: image B.....	37
Figure 1-5 Reset process.....	42
Figure 1-6 Example of MSP and PC initialization.....	43
Figure 2-1 AT32F403A/407 address mapping.....	45
Figure 3-1 Block diagram of each power supply.....	50
Figure 3-2 Power-on reset/Low voltage reset waveform.....	51
Figure 3-3 PVM threshold and output.....	51
Figure 4-1 AT32F403A/407 clock tree.....	56
Figure 4-2 System reset circuit.....	59
Figure 5-1 External memory ciphertext protection.....	76
Figure 5-2 Reference circuit for external memory.....	77
Figure 5-3 Flash memory sector erase process.....	80
Figure 5-4 Flash memory bank erase process.....	81
Figure 5-5 Flash memory programming process.....	82
Figure 5-6 System data area erase process.....	84
Figure 5-7 System data area programming process.....	85
Figure 6-1 GPIO basic structure.....	97
Figure 7-1 Basic structure of IOMUX basic structure.....	102
Figure 8-1 External interrupt/Event controller block diagram.....	125
Figure 9-1 DMA block diagram.....	128
Figure 9-2 Re-arbitrae after request/acknowledge.....	130
Figure 9-3 PWIDTH: byte, MWIDTH: half-word.....	130
Figure 9-4 PWIDTH: half-word, MWIDTH: word.....	131
Figure 9-5 PWIDTH: word, MWIDTH: byte.....	131
Figure 10-1 CRC calculation unit block diagram.....	142
Figure 10-2 Diagram of byte reverse.....	143
Figure 11-1 I2C bus protocol.....	145
Figure 11-2 I2C function block diagram.....	146
Figure 11-3 Transfer sequence of slave transmitter.....	148
Figure 11-4 Transfer sequence of slave receiver.....	149
Figure 11-5 Transfer sequence of master transmitter.....	151
Figure 11-6 Transfer sequence of master receiver.....	152
Figure 11-7 Transfer sequence of master receiver when N>2.....	153
Figure 11-8 Transfer sequence of master receiver when N=2.....	154
Figure 11-9 Transfer sequence of master receiver when N=1.....	156
Figure 12-1 USART block diagram.....	167
Figure 12-2 BFF and FERR detection in LIN mode.....	169
Figure 12-3 Smartcard frame format.....	170
Figure 12-4 IrDA DATA(3/16) – normal mode.....	170
Figure 12-5 Hardware flow control.....	170

Figure 12-6 Silent mode using Idle line or Address mark detection.....	171
Figure 12-7 8-bit format USART synchronization mode.....	171
Figure 12-8 Word length.....	172
Figure 12-9 Stop bit configuration.....	173
Figure 12-10 TDC/TDBE behavior when transmitting.....	175
Figure 12-11 Data sampling for noise detection.....	178
Figure 12-12 USART interrupt map diagram.....	178
Figure 13-1 SPI block diagram.....	185
Figure 13-2 SPI two-wire unidirectional full-duplex connection.....	186
Figure 13-3 Single-wire unidirectional receive only in SPI master mode.....	187
Figure 13-4 Single-wire unidirectional receive only in SPI slave mode.....	187
Figure 13-5 Single-wire bidirectional half-duplex mode.....	188
Figure 13-6 SPI interrupts.....	192
Figure 13-7 I ² S block diagram.....	193
Figure 13-8 I ² S full-duplex structure.....	194
Figure 13-9 I ² S slave device transmission.....	194
Figure 13-10 I ² S slave device reception.....	195
Figure 13-11 I ² S master device transmission.....	195
Figure 13-12 I ² S master device reception.....	195
Figure 13-13 CK & MCK source in master mode.....	197
Figure 13-14 I ² S interrupt.....	200
Figure 14-1 Basic timer block diagram.....	207
Figure 14-2 Control circuit with CK_INT divided by 1.....	207
Figure 14-3 Basic structure of a counter.....	208
Figure 14-4 Overflow event when PRBEN=0.....	208
Figure 14-5 Overflow event when PRBEN=1.....	208
Figure 14-6 Counting timing diagram when the prescaler division is 4.....	208
Figure 14-7 General-purpose timer block diagram.....	212
Figure 14-8 Counting clock.....	213
Figure 14-9 Control circuit with CK_INT, TMRx_DIV=0x0 and TMRx_PR=0x16.....	213
Figure 14-10 Block diagram of external clock mode A.....	214
Figure 14-11 Counting in external clock mode A, PR=0x32, DIV=0x0.....	214
Figure 14-12 Block diagram of external clock mode B.....	214
Figure 14-13 Counting in external clock mode B, PR=0x32, DIV=0x0.....	215
Figure 14-14 Counter timing with prescaler value changing from 1 to 4.....	216
Figure 14-15 Basic structure of a counter.....	216
Figure 14-16 Overflow event when PRBEN=0.....	217
Figure 14-17 Overflow event when PRBEN=1.....	217
Figure 14-18 Counter timing diagram with internal clock divided by 4.....	217
Figure 14-19 Counter timing diagram with internal clock divided by 1 and TMRx_PR=0x32.....	218
Figure 14-20 Encoder mode structure.....	218
Figure 14-21 Example of counter behavior in encoder interface mode (encoder mode C).....	219
Figure 14-22 Input/output channel 1 main circuit.....	220
Figure 14-23 Channel 1 input stage.....	220
Figure 14-24 PWM input mode configuration example.....	221

Figure 14-25 PWM input mode.....	221
Figure 14-26 Capture/compare channel output stage (channel 1 to 4).....	221
Figure 14-27 C1ORAW toggles when counter value matches the C1DT value	223
Figure 14-28 Upcounting mode and PWM mode A	223
Figure 14-29 Up/down counting mode and PWM mode A.....	223
Figure 14-30 One-pulse mode.....	224
Figure 14-31 Clearing CxORAW(PWM mode A) by EXT input.....	224
Figure 14-32 Example of reset mode.....	225
Figure 14-33 Example of suspend mode	225
Figure 14-34 Example of trigger mode	225
Figure 14-35 Master/slave timer connection	226
Figure 14-36 Using master timer to start slave timer.....	226
Figure 14-37 Starting master and slave timers synchronously by an external trigger	227
Figure 14-38 Block diagram of general-purpose TMR9/12.....	239
Figure 14-39 Block diagram of general-purpose TMR10/11/13/14	240
Figure 14-40 Counting clock.....	240
Figure 14-41 Control circuit with CK_INT, TMRx_DIV=0x0 and TMRx_PR=0x16	240
Figure 14-42 Block diagram of external clock mode A	241
Figure 14-43 Counting in external clock mode A, PR=0x32, DIV=0x0	241
Figure 14-44 Counter timing with prescaler value changing from 1 to 4.....	242
Figure 14-45 Basic structure of a counter.....	242
Figure 14-46 Overflow event when PRBEN=0	243
Figure 14-47 Overflow event when PRBEN=1	243
Figure 14-48 Input/output channel 1 main circuit.....	244
Figure 14-49 Channel 1 input stage	244
Figure 14-50 PWM input mode configuration example	245
Figure 14-51 PWM input mode.....	245
Figure 14-52 Capture/compare channel output stage	245
Figure 14-53 C1ORAW toggles when counter value matches the C1DT value	247
Figure 14-54 Upcounting mode and PWM mode A	247
Figure 14-55 One-pulse mode.....	247
Figure 14-56 Example of reset mode.....	248
Figure 14-57 Example of suspend mode	248
Figure 14-58 Example of trigger mode	249
Figure 14-59 Block diagram of advanced-control timer.....	263
Figure 14-60 Counting clock.....	263
Figure 14-61 Control circuit with CK_INT, TMRx_DIV=0x0 and TMRx_PR=0x16.....	264
Figure 14-62 Block diagram of external clock mode A	265
Figure 14-63 Counting in external clock mode A, PR=0x32, DIV=0x0	265
Figure 14-64 Block diagram of external clock mode B.....	265
Figure 14-65 Counting in external clock mode B, PR=0x32, DIV=0x0	265
Figure 14-66 Counter timing with prescaler value changing from 1 to 4.....	266
Figure 14-67 Basic structure of a counter.....	267
Figure 14-68 Overflow event when PRBEN=0	267
Figure 14-69 Overflow event when PRBEN=1	267

Figure 14-70 Counter timing diagram with internal clock divided by 4	267
Figure 14-71 Counter timing diagram with internal clock divided by 1 and TMRx_PR=0x32	268
Figure 14-72 OVFI behavior in upcounting mode and two-way counting mode.....	269
Figure 14-73 Encoder mode structure	270
Figure 14-74 Example of encoder interface mode C.....	271
Figure 14-75 Input/output channel 1 main circuit.....	271
Figure 14-76 Channel 1 input stage	272
Figure 14-77 PWM input mode configuration example	273
Figure 14-78 PWM input mode.....	273
Figure 14-79 Channel output stage (channel 1 to 3).....	273
Figure 14-80 Channel 4 output stage	274
Figure 14-81 C1ORAW toggles when counter value matches the C1DT value	275
Figure 14-82 Upcounting mode and PWM mode A	275
Figure 14-83 Up/down counting mode and PWM mode A.....	276
Figure 14-84 One-pulse mode.....	276
Figure 14-80 Clearing CxORAW(PWM mode A) by EXT input.....	277
Figure 14-81 Complementary output with dead-time insertion	277
Figure 14-87 TMR output control.....	278
Figure 14-88 Example of TMR break function.....	279
Figure 14-89 Example of reset mode.....	279
Figure 14-90 Example of suspend mode	280
Figure 14-91 Example of trigger mode	280
Figure 15-1 Window watchdog block diagram	296
Figure 15-2 Window watchdog timing diagram	297
Figure 16-1 WDT block diagram.....	300
Figure 17-1 Simplified RTC block diagram	303
Figure 17-2 RTC second and alarm waveform example with DIV=0004 and TA=00003.....	304
Figure 17-3 RTC overflow waveform example with DIV=0004	305
Figure 19-1 ADC1 block diagram.....	313
Figure 19-2 ADC basic operation process	314
Figure 19-3 ADC power-on and calibration.....	315
Figure 19-4 Sequence mode	317
Figure 19-5 Preempted group auto conversion mode	317
Figure 19-6 Repetition mode.....	318
Figure 19-7 Partition mode.....	318
Figure 19-8 Data alignment.....	319
Figure 19-9 Block diagram of master/salve mode.....	320
Figure 19-10 Regular simultaneous mode.....	321
Figure 19-11 Regular simultaneous mode	321
Figure 19-12 Alternate preempted trigger mode	321
Figure 19-13 Fast switch mode	322
Figure 19-14 Fast slow mode	323
Figure 20-1 DAC1/DAC2 block diagram.....	334
Figure 20-2 LFSR register calculation algorithm.....	336
Figure 20-3 Triangular-wave generation	336

Figure 21-1 Bit timing.....	342
Figure 21-2 Frame type.....	344
Figure 21-3 Transmit interrupt generation.....	345
Figure 21-4 Receive interrupt 0 generation.....	345
Figure 21-5 Receive interrupt 1 generation.....	345
Figure 21-6 Status error interrupt generation.....	345
Figure 21-7 CAN block diagram.....	346
Figure 21-8 32-bit identifier mask mode.....	348
Figure 21-9 32-bit identifier list mode.....	348
Figure 21-10 16-bit identifier mask mode.....	348
Figure 21-11 16-bit identifier list mode.....	349
Figure 21-12 Transmit mailbox status.....	351
Figure 21-13 Receive FIFO status.....	352
Figure 21-14 Transmit and receive mailboxes.....	364
Figure 22-1 XMC block diagram.....	370
Figure 22-2 XMC memory banks.....	371
Figure 22-3 NOR/PSARM mode 1 read access.....	375
Figure 22-4 NOR/PSARM mode 1 write access.....	376
Figure 22-5 NOR/PSARM mode 2 read access.....	377
Figure 22-6 NOR/PSARM mode 2 write access.....	378
Figure 22-7 NOR/PSARM mode A read access.....	379
Figure 22-8 NOR/PSARM mode A write access.....	380
Figure 22-9 NOR/PSARM mode B read access.....	381
Figure 22-10 NOR/PSARM mode B write access.....	382
Figure 22-11 NOR/PSARM mode C read access.....	383
Figure 22-12 NOR/PSARM mode C write access.....	384
Figure 22-13 NOR/PSARM mode D read access.....	385
Figure 22-14 NOR/PSARM mode D write access.....	386
Figure 22-15 NOR/PSARM multiplexed mode read access.....	387
Figure 22-16 NOR/PSARM multiplexed mode write access.....	388
Figure 22-17 NOR/PSARM synchronous multiplexed mode read access.....	389
Figure 22-18 NOR/PSARM synchronous multiplexed mode write access.....	390
Figure 22-19 NAND read access.....	392
Figure 22-20 NAND wait functionality.....	393
Figure 23-1 SDIO “no response” and “no data” operations.....	403
Figure 23-2 SDIO multiple block read operation.....	403
Figure 23-3 SDIO multiple block write operation.....	403
Figure 23-4 SDIO sequential read operation.....	404
Figure 23-5 SDIO sequential write operation.....	404
Figure 23-6 SDIO block diagram.....	416
Figure 23-7 Command channel state machine (CCSM).....	418
Figure 23-8 SDIO command transfer.....	419
Figure 23-9 Data channel state machine (DCSM).....	419
Figure 24-1 Buffer description table of regular endpoint vs. double-buffered endpoint.....	434
Figure 25-1 ACC interrupt mapping diagram.....	441

Figure 25-2 ACC block diagram.....	443
Figure 25-3 Cross-return algorithm.....	443
Figure 26-1 Block diagram of EMAC	448
Figure 26-2 SMI interface signals	450
Figure 26-3 MII signals	450
Figure 26-4 Reduced media-independent interface signals	452
Figure 26-5 MII clock sources (provided by CLKOUT pin)	452
Figure 26-6 MII clock sources (provided by an external oscillator)	452
Figure 26-7 RII clock sources (provide by an external crystal oscillator)	452
Figure 26-9 MAC frame format.....	453
Figure 26-10 Tagged MAC frame format.....	454
Figure 26-11 Descriptor for ring and chain structure	461
Figure 26-12 Transmit descriptors	464
Figure 26-13 RXDMA descriptor structure	469
Figure 26-14 Wakeup frame filter register.....	472
Figure 26-15 System time update using the fine correction method.....	475
Figure 26-16 PTP trigger output to TMR2 ITR1 connection	476
Figure 26-17 PPS output.....	477
Figure 26-18 Ethernet interrupts.....	478
Figure 26-19 Ethernet MAC remote wakeup frame filter register (EMAC_MACRWFF)	488

List of tables

Table 1-1 Bit-band address mapping in SRAM	38
Table 1-2 Bit-band address mapping in the peripheral area	38
Table 1-3 AT32F403A/407 series vector table.....	39
Table 1-4 List of abbreviations for registers	43
Table 1-5 List of abbreviations for registers	44
Table 2-1 Peripheral boundary address	47
Table 3-1 PW register map and reset values	54
Table 4-1 CRM register map and reset values.....	59
Table 5-1 Flash memory architecture(1024 K)	75
Table 5-2 Flash memory architecture(512 K)	75
Table 5-3 Flash memory architecture(256 K)	76
Table 5-4 Instruction set supported by external memory	77
Table 5-5 User system data area.....	78
Table 5-6 Flash memory access limit.....	86
Table 5-7 Flash memory interface—Register map and reset value	88
Table 6-1 GPIO register map and reset values	99
Table 7-1 IOMUX input configuration.....	103
Table 7-2 IOMUX output configuration.....	103
Table 7-3 Hardware preemption	104
Table 7-4 Debug port map.....	104
Table 7-5 IOMUX register map and reset value	112
Table 8-1 External interrupt/Event controller register map and reset value.....	126
Table 9-1 DMA error event.....	131
Table 9-2 DMA interrupt requests	131
Table 9-3 DMA1 requests for each channel	132
Table 9-4 DMA2 requests for each channel	132
Table 9-5 Flexible DMA requests for each channel	133
Table 9-6 DMA register map and reset value	134
Table 10-1 CRC register map and reset value	143
Table 11-1 I ² C register map and reset value	160
Table 12-1 Error calculation for programmed baud rate	174
Table 12-2 Data sampling over start bit and noise detection	177
Table 12-3 Data sampling over valid data and noise detection.....	177
Table 12-4 USART interrupt request.....	178
Table 12-5 USART register map and reset value.....	179
Table 13-1 Audio frequency precision using system clock.....	197
Table 13-2 SPI register map and reset value	201
Table 14-1 TMR functional comparison	206
Table 14-2 TMR6 and TMR7— register table and reset value.....	209
Table 14-3 TMRx internal trigger connection.....	215
Table 14-4 Counting direction versus encoder signals	219
Table 14-5 TMRx register map and reset value	227
Table 14-6 Standard CxOUT channel output control bit	236

Table 14-7 TMRx internal trigger connection.....	241
Table 14-8 TMRx register map and reset value	249
Table 14-9 Standard CxOUT channel output control bit	255
Table 14-10 TMRx register map and reset value	257
Table 14-11 Standard CxOUT channel output control bit	261
Table 14-12 TMRx internal trigger connection.....	266
Table 14-13 Counting direction versus encoder signals	270
Table 14-14 TMR1 and TMR8 register map and reset value	280
Table 14-15 Complementary output channel CxOUT and CxCOUT control bits with break function	292
Table 15-1 Minimum and maximum timeout value when PCLK1=72 MHz.....	297
Table 15-2 WWDT register map and reset value	297
Table 16-1 WDT timeout period (LICK=40kHz)	300
Table 16-2 WDT register and reset value.....	300
Table 17-1 RTC register map and reset values.....	305
Table 18-1 BPR register map and reset values.....	308
Table 19-1 Trigger sources for ADC1 and ADC2.....	316
Table 19-2 Trigger sources for ADC3.....	316
Table 19-3 ADC register map and reset values.....	323
Table 20-1 Trigger source selection.....	335
Table 20-2 DAC register map and reset values.....	337
Table 21-1 CAN register map and reset values.....	353
Table 22-1 NOR/PSRAM pins	370
Table 22-2 NAND pins.....	370
Table 22-3 Memory bank selection	371
Table 22-4 Pin signals for NOR and PSRAM	372
Table 22-5 Address translation between HADDR and external memory	372
Table 22-6 Data access width vs. external memory data width	372
Table 22-7 NOR/PSRAM parameter registers.....	373
Table 22-8 Mode 1—SRAM/NOR Flash chip select control register (XMC_BK1CTRL)	373
Table 22-9 Mode 1—SRAM/NOR Flash chip select timing register (XMC_BK1TMG).....	374
Table 22-10 Mode 2 — SRAM/NOR Flash chip select control register (XMC_BK1CTRL)	376
Table 22-11 Mode 2 — SRAM/NOR Flash chip select timing register (XMC_BK1TMG)	377
Table 22-12 Mode A— SRAM/NOR Flash chip select control register (XMC_BK1CTRL)	378
Table 22-13 Mode A— SRAM/NOR Flash chip select timing register (XMC_BK1TMG)	379
Table 22-14 Mode A— SRAM/NOR Flash write timing register (XMC_BK1TMGWR)	379
Table 22-15 Mode B— SRAM/NOR Flash chip select register (XMC_BK1CTRL)	380
Table 22-16 Mode B— SRAM/NOR Flash chip select timing register (XMC_BK1TMG)	381
Table 22-17 Mode B— SRAM/NOR Flash write timing register (XMC_BK1TMGWR).....	381
Table 22-18 Mode C— SRAM/NOR Flash chip select register (XMC_BK1CTRL)	382
Table 22-19 Mode C—SRAM/NOR Flash chip select timing register (XMC_BK1TMG)	383
Table 22-20 Mode C— SRAM/NOR Flash write timing register (XMC_BK1TMGWR)	383
Table 22-21 Mode D— SRAM/NOR Flash chip select register (XMC_BK1CTRL)	384
Table 22-22 Mode D—SRAM/NOR Flash chip select timing register (XMC_BK1TMG)	385
Table 22-23 Mode D— SRAM/NOR Flash write timing register (XMC_BK1TMGWR)	385
Table 22-24 Multiplexed mode — SRAM/NOR Flash chip select control register (XMC_BK1CTRL)	386

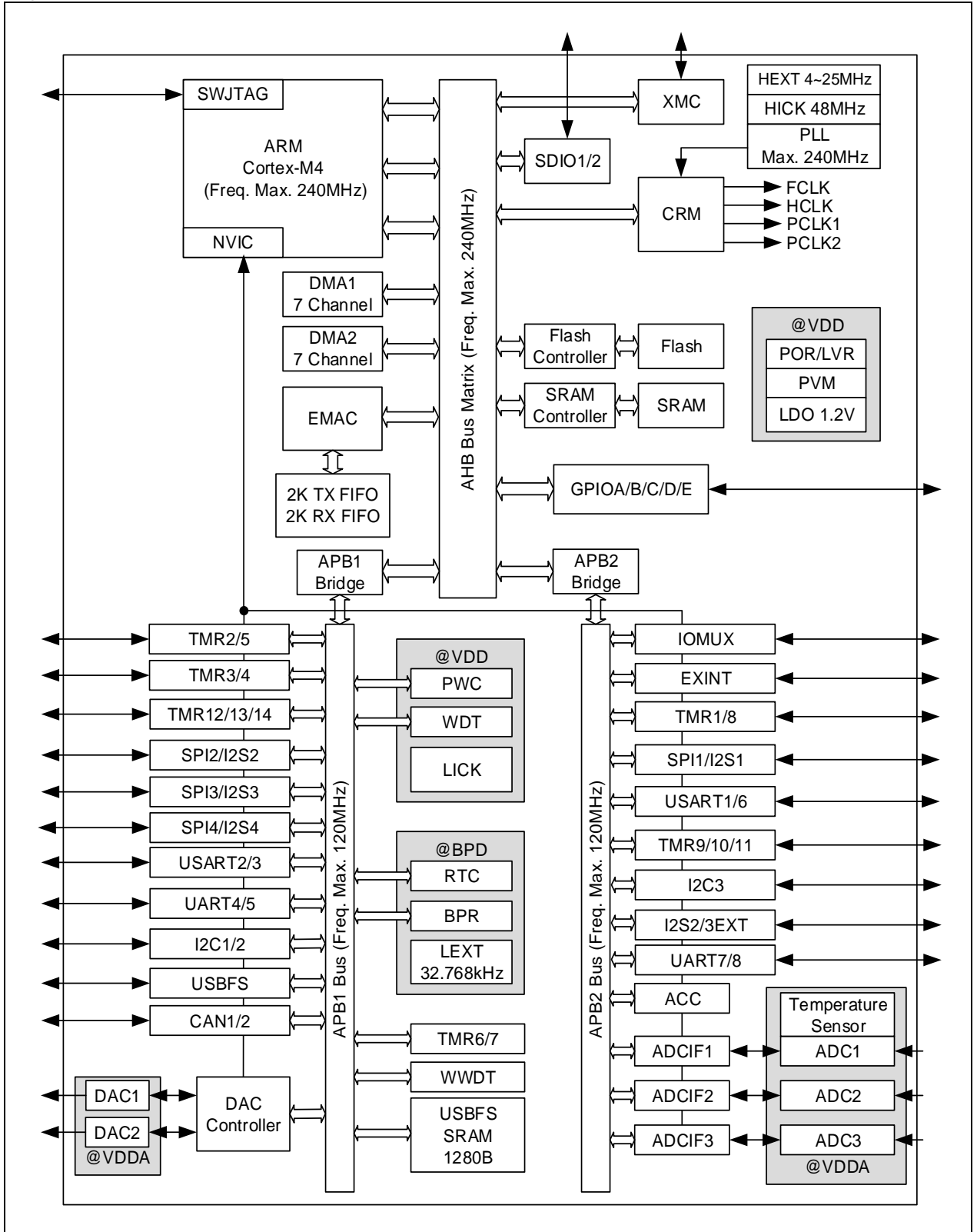
Table 22-25 Multiplexed mode—SRAM/NOR Flash chip select timing register (XMC_BK1TMG)	387
Table 22-26 Synchronous mode — SRAM/NOR Flash chip select control register (XMC_ BK1CTRL).....	388
Table 22-27 Synchronous mode—SRAM/NOR Flash chip select timing register (XMC_BK1TMG)	389
Table 22-28 Typical pin signals for NAND Flash	390
Table 22-29 Data access width vs. external memory data width	391
Table 22-30 NAND parameter registers.....	391
Table 22-31 lists the ECC result bits corresponding to the number of bytes.....	393
Table 22-32 XMC register address mapping.....	393
Table 23-1 Lock/unlock command structure.....	407
Table 23-2 Commands	409
Table 23-3 Data block read commands	410
Table 23-4 Data stream read/write commands.....	410
Table 23-5 Data block write commands	412
Table 23-6 Block-based write protect commands.....	412
Table 23-7 Erase commands.....	412
Table 23-8 I/O mode commands.....	413
Table 23-9 Card lock commands	413
Table 23-10 Application-specific commands	413
Table 23-11 R1 response.....	414
Table 23-12 R2 response	414
Table 23-13 R3 response.....	414
Table 23-14 R4 response	414
Table 23-15 R4b response	415
Table 23-16 R5 response.....	415
Table 23-17 R6 response.....	415
Table 23-18 SDIO pin definitions	416
Table 23-19 Command formats	417
Table 23-20 Short response format	417
Table 23-21 Long response format.....	417
Table 23-22 Command path status flags	418
Table 23-23 Data token formats.....	420
Table 23-24 A summary of the SDIO registers.	422
Table 23-25 Response type and SDIO_RSPx register.....	425
Table 24-1 Buffer size configuration table.....	433
Table 24-2 USBFS register map and reset values	435
Table 25-1 ACC interrupt requests.....	441
Table 25-2 ACC register map and reset values.....	444
Table 26-1 shows the clock range.	450
Table 26-2 Transmit interface signal encode.....	451
Table 26-3 Receive interface signal encode	451
Table 26-4 Ethernet peripheral pin configuration (black: default red: remapping signals)	453
Table 26-5 Destination address filtering.....	455
Table 26-6 Source address filtering	455
Table 26-7 Receive descriptor 0	470
Table 26-8 Ethernet register map and its reset values	478

Table 27-1 Trace function enable.....	513
Table 27-2 Trace function mode	514
Table 27-3 DEBUG register address and reset value.....	514

1 System architecture

AT32F403A/407 series microcontrollers consist of 32-bit ARM® Cortex®-M4F processor core, multiple 16-bit and 32-bit timers, DMA controller, RTC, communication interfaces such as SPI, I2C, USART/UART and SDIO, CANs, external memory controller (XMC), USB2.0 full-speed interface, Ethernet MAC, HICK with automatic clock calibration (ACC), 12-bit ADC, 12-bit DAC, programmable voltage monitor (PVM) and other peripherals. Cortex®-M4F processor supports enhanced high-performance DSP instruction set, including extended single cycle 16-bit/32-bit multiply accumulator (MAC), dual 16-bit MAC instruction, optimized 8-bit/16-bit SIMD operation and saturation operation instruction, and single-precision (IEEE-754) float point unit (FPU), as shown in Figure 1-1:

Figure 1-1 AT32F403A/407 Series microcontrollers system architecture



Note: EMAC is applicable to AT32F407 but not supported by AT32F403A..

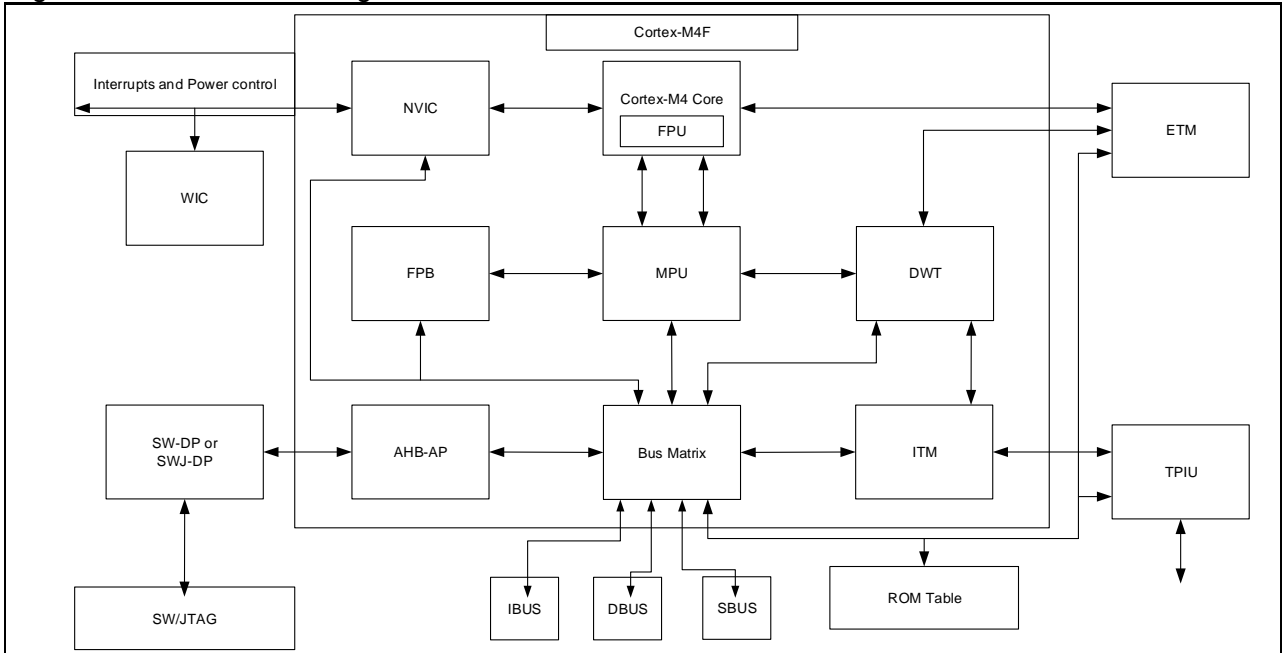
1.1 System overview

1.1.1 ARM Cortex™-M4F processor

Cortex®-M4F processor is a low power consumption processor featuring low gate count, low interrupt latency, and low-cost debug. It supports DSP instruction set and FPU, and is applicable to deeply-embedded applications that require quicker response to interruption. Cortex®-M4F processor is based on ARMv7-M architecture, supporting both Thumb instruction set and DSP instruction set.

Figure 1-2 shows the internal block diagram of Cortex®-M4F processor. Please refer to *ARM Cortex® -M4 Technical Reference Manual* for more information.

Figure 1-2 Internal block diagram of Cortex®-M4F



1.1.2 Bit band

Through bit-band operations, read and write access to a single bit can be performed using common load/store operations. The Cortex[®]-M4F memory includes two bit-band regions: the least significant 1M byte of SRAM and the least significant 1M byte of peripherals. In addition to access to bit-band addresses, their respective bit-band alias area can be used to access to any bit of any address. The bit-band alias area transforms each bit into a 32-bit word. Thus, accessing to one bit in the alias area has the same effect as read-modify-write operation on the bit in the bit-band region.

Figure 1-3 Comparison between bit-band region and its alias region: image A

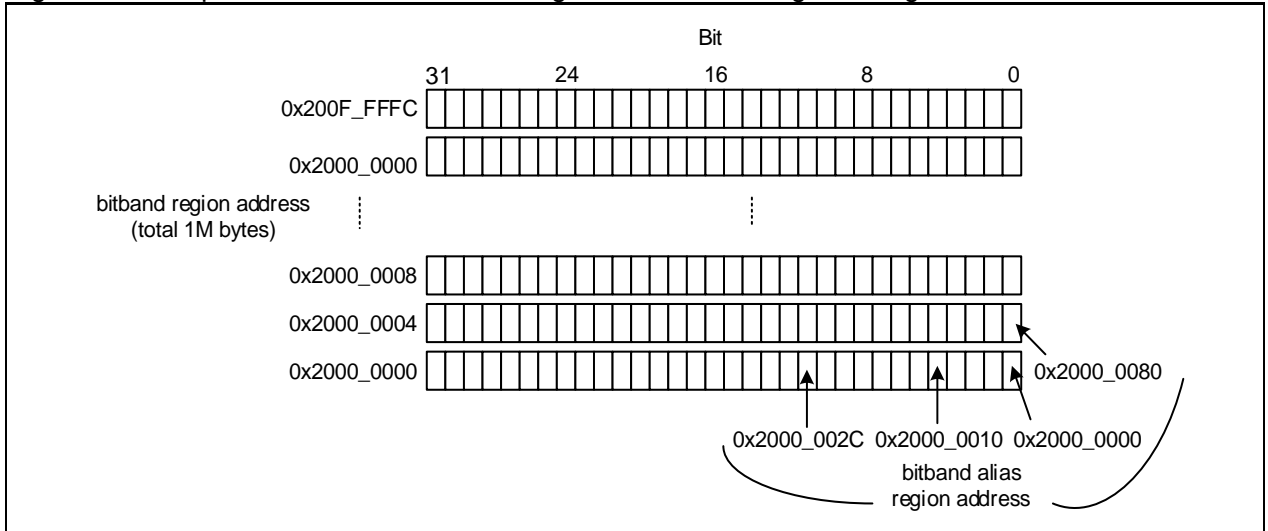
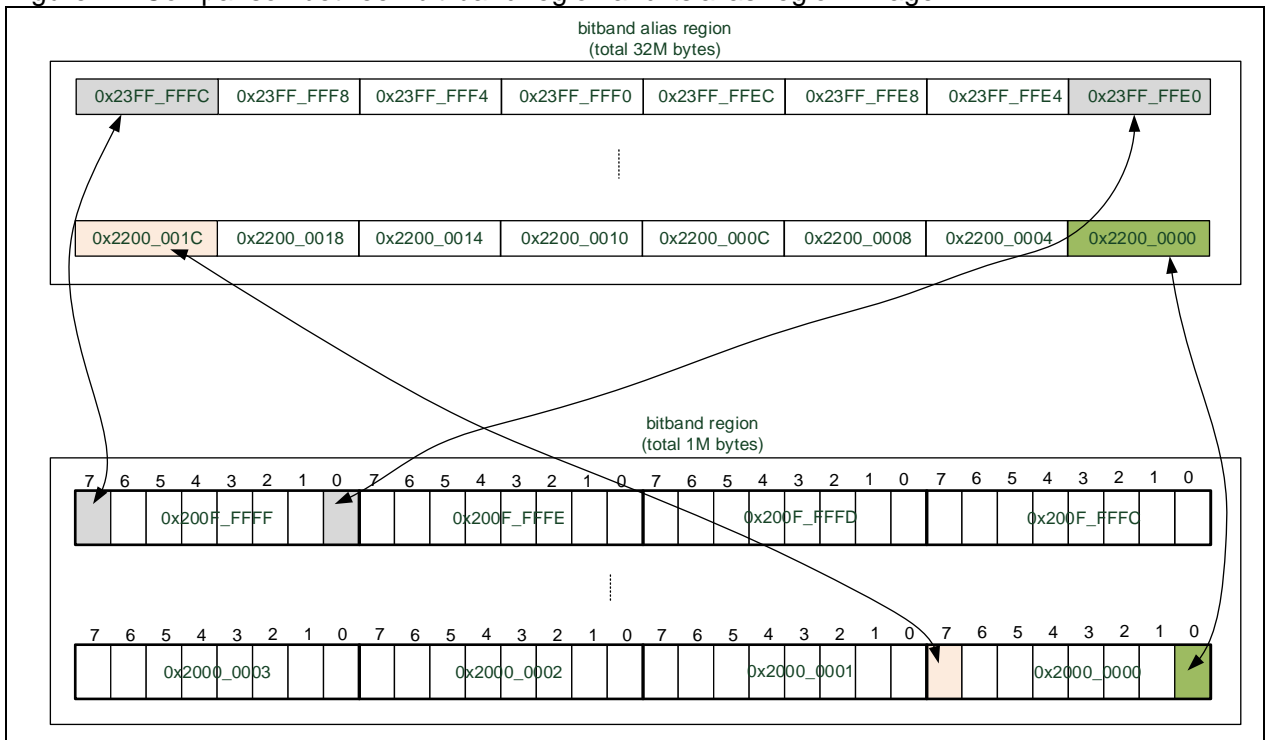


Figure 1-4 Comparison between bit-band region and its alias region: image B



Bit-band region: address area supporting bit-band operations

Bit-band alias region: access to the alias region has the same effect as read-modify-write operation on the bit-band region

Each bit in the bit-band region is mapped into a word (LSB) of the alias region. When accessing to the address in the bit-band alias region, such address is transformed into the bit-band address. For a read operation, read one word in the bit-band region, then move the required bit to the right to LSB, and then return the LSB. For a write operation, first move the targeted bit to the left to the corresponding bit

number, then perform read-modify-write operation on bit level.

The address ranges of two memories supporting bit-band operations:

The lowest 1 Mbyte of SRAM: 0x2000_0000~0x200F_FFFF

The lowest 1 Mbyte of peripherals: 0x4000_0000~0x400F_FFFF

For a bit in the SRAM bit-band region, if the byte address is A, the bit number is n ($0 \leq n \leq 7$), then the alias address where the bit is :

$$\text{AliasAddr} = 0x2200_0000 + (A - 0x2000_0000) * 32 + n * 4$$

For a bit in the peripheral bit-band region, if the byte address is A, the bit number is n ($0 \leq n \leq 7$), then the alias address where the bit is:

$$\text{AliasAddr} = 0x4200_0000 + (A - 0x4000_0000) * 32 + n * 4$$

Table 1-1 shows the mapping between bit-band region and alias region in SRAM:

Table 1-1 Bit-band address mapping in SRAM

Bit-band region	Equivalent alias address
0x2000_0000.0	0x2200_0000.0
0x2000_0000.1	0x2200_0004.0
0x2000_0000.2	0x2200_0008.0
...	...
0x2000_0000.31	0x2200_007C.0
0x2000_0004.0	0x2200_0080.0
0x2000_0004.1	0x2200_0084.0
0x2000_0004.2	0x2200_0088.0
...	...
0x200F_FFFC.31	0x23FF_FFFC.0

Table 1-2 shows the mapping between bit-band region and alias region in the peripheral area:

Table 1-2 Bit-band address mapping in the peripheral area

Bit-band region	Equivalent alias address
0x4000_0000.0	0x4200_0000.0
0x4000_0000.1	0x4200_0004.0
0x4000_0000.2	0x4200_0008.0
...	...
0x4000_0000.31	0x4200_007C.0
0x4000_0004.0	0x4200_0080.0
0x4000_0004.1	0x4200_0084.0
0x4000_0004.2	0x4200_0088.0
...	...
0x400F_FFFC.31	0x43FF_FFFC.0

In terms of bit-band operation, one of the advantages is to control LED ON/OFF independently via GPIO pins. On the other hand, it brings great convenience for serial interface operations. In short, it is best suited to hardware I/O-intensive low-level applications.

In addition, bit-band operations can also simplify jump process. When jump operation is based on a bit level, the previous steps are:

- Read the whole register
- Mask the undesired bits
- Compare and jump

For now, you just need do:

- Read the bit status from the bit-band alias region
- Compare and jump

Apart from making code more concise, its important function is also reflected in multi-task environment. When it comes to multiples taks, it turns the read-modify-write operations into a hardware-supported atomic operation to avoid the scenario where the read-modify-write opearion is disrupted, resulting in disorder.

1.1.3 Interrupt and exception vectors

Table 1-3 AT32F403A/407 series vector table

Pos.	Priority	Priority Type	Name	Description	Address
-	-	-	-	Reserved	0x0000_0000
-3	Fixed		Reset	Reset	0x0000_0004
-2	Fixed		NMI	Non maskable interrupt Clock Fail Detector (CFD) is linked to NMI vector	0x0000_0008
-1	Fixed		HardFault	All class of fault	0x0000_000C
0	Configurable		MemoryManage	Memory management	0x0000_0010
1	Configurable		BusFault	Pre-fetch fault, memory access fault	0x0000_0014
2	Configurable		UsageFault	Undefined instruction or illegal state	0x0000_0018
-	-	-	-	Reserved	0x0000_001C ~0x0000_002B
3	Configurable		SVCcall	System service call via SWI instruction	0x0000_002C
4	Configurable		DebugMonitor	Debug monitor	0x0000_0030
-	-	-	-	Reserved	0x0000_0034
5	Configurable		PendSV	Pendable request for system service	0x0000_0038
6	Configurable		SysTick	System tick timer	0x0000_003C
0	7	Configurable	WWDT	Window watchdog timer	0x0000_0040
1	8	Configurable	PVM	PVM from EXINT interrupt	0x0000_0044
2	9	Configurable	TAMPER	Tamper interrupt	0x0000_0048
3	10	Configurable	RTC	RTC global interrupt	0x0000_004C
4	11	Configurable	FLASH	Flash global interrupt	0x0000_0050
5	12	Configurable	CRM	Clock Reset manage interrupt	0x0000_0054
6	13	Configurable	EXINT0	EXINT line0 interrupt	0x0000_0058
7	14	Configurable	EXINT1	EXINT line1 interrupt	0x0000_005C
8	15	Configurable	EXINT2	EXINT line2 interrupt	0x0000_0060

9	16	Configurable	EXINT3	EXINT line3 interrupt	0x0000_0064
10	17	Configurable	EXINT4	EXINT line4 interrupt	0x0000_0068
11	18	Configurable	DMA1 channel1	DMA1 channel1 global interrupt	0x0000_006C
12	19	Configurable	DMA1 channel2	DMA1 channel2 global interrupt	0x0000_0070
13	20	Configurable	DMA1 channel3	DMA1 channel3 global interrupt	0x0000_0074
14	21	Configurable	DMA1 channel4	DMA1 channel4 global interrupt	0x0000_0078
15	22	Configurable	DMA1 channel5	DMA1 channel5 global interrupt	0x0000_007C
16	23	Configurable	DMA1 channel6	DMA1 channel6 global interrupt	0x0000_0080
17	24	Configurable	DMA1 channel7	DMA1 channel7 global interrupt	0x0000_0084
18	25	Configurable	ADC1_2	ADC1 and ADC2 global interrupt	0x0000_0088
19	26	Configurable	USBFS_H_CAN1_TX	USBFS high priority or CAN1 TX interrupt	0x0000_008C
20	27	Configurable	USBFS_L_CAN1_RX0	USBFS low priority or CAN1 RX0 interrupt	0x0000_0090
21	28	Configurable	CAN1_RX1	CAN1 RX1 interrupt	0x0000_0094
22	29	Configurable	CAN_SE	CAN state error interrupt	0x0000_0098
23	30	Configurable	EXINT9_5	EXINT line[9: 5] interrupt	0x0000_009C
24	31	Configurable	TMR1_BRK_TMR9	TMR1 break interrupt and TMR9 global interrupt	0x0000_00A0
25	32	Configurable	TMR1_OVF_TMR10	TMR1 overflow and TMR10 global interrupt	0x0000_00A4
26	33	Configurable	TMR1_TRG_HALL_TMR11	TMR1 trigger and HALL interrupt and TMR11 global interrupt	0x0000_00A8
27	34	Configurable	TMR1_CH	TMR1 channel interrupt	0x0000_00AC
28	35	Configurable	TMR2	TMR2 global interrupt	0x0000_00B0
29	36	Configurable	TMR3	TMR3 global interrupt	0x0000_00B4
30	37	Configurable	TMR4	TMR4 global interrupt	0x0000_00B8
31	38	Configurable	I2C1_EVT	I ² C1 event interrupt	0x0000_00BC
32	39	Configurable	I2C1_ERR	I ² C1 error interrupt	0x0000_00C0
33	40	Configurable	I2C2_EVT	I ² C2 event interrupt	0x0000_00C4
34	41	Configurable	I2C2_ERR	I ² C2 error interrupt	0x0000_00C8
35	42	Configurable	SPI1	SPI1 global interrupt	0x0000_00CC
36	43	Configurable	SPI2_I2S2EXT	SPI2 and I2S2EXT global interrupt	0x0000_00D0
37	44	Configurable	USART1	USART1 global interrupt	0x0000_00D4
38	45	Configurable	USART2	USART2 global interrupt	0x0000_00D8
39	46	Configurable	USART3	USART3 global interrupt	0x0000_00DC
40	47	Configurable	EXINT15_10	EXINT line[15: 10] global interrupt	0x0000_00E0
41	48	Configurable	RTCAlarm	RTC alarm through EXINT interrupt	0x0000_00E4
42	49	Configurable	USBFS_WAKEUP	USBFS wakeup through EXINT interrupt	0x0000_00E8

43	50	Configurable	TMR8_BRK_TMR12	TMR8 break interrupt and TMR12 global interrupt	0x0000_00EC
44	51	Configurable	TMR8_OVF_TMR13	TMR8 overflow interrupt and TMR13 global interrupt	0x0000_00F0
45	52	Configurable	TMR8_TRG_HALL_TMR14	TMR8 trigger and HALL interrupt and TMR14 global interrupt	0x0000_00F4
46	53	Configurable	TMR8_CH	TMR8 channel interrupt	0x0000_00F8
47	54	Configurable	ADC3	ADC3 global interrupt	0x0000_00FC
48	55	Configurable	XMC	XMC global interrupt	0x0000_0100
49	56	Configurable	SDIO	SDIO global interrupt	0x0000_0104
50	57	Configurable	TMR5	TMR5 global interrupt	0x0000_0108
51	58	Configurable	SPI3_I2S3EXT	SPI3 and I2S3EXT global interrupt	0x0000_010C
52	59	Configurable	UART4	UART4 global interrupt	0x0000_0110
53	60	Configurable	UART5	UART5 global interrupt	0x0000_0114
54	61	Configurable	TMR6	TMR6 global interrupt	0x0000_0118
55	62	Configurable	TMR7	TMR7 global interrupt	0x0000_011C
56	63	Configurable	DMA2 channel1	DMA2 channel1 global interrupt	0x0000_0120
57	64	Configurable	DMA2 channel2	DMA2 channel2 global interrupt	0x0000_0124
58	65	Configurable	DMA2 channel3	DMA2 channel3 global interrupt	0x0000_0128
59	66	Configurable	DMA2 channel4_5	DMA2 channel4 and DMA2 channel5 global interrupt	0x0000_012C
60	67	Configurable	SDIO2	SDIO2 global interrupt	0x0000_0130
61	68	Configurable	I2C3_EVT	I2C3 event interrupt	0x0000_0134
62	69	Configurable	I2C3_ERR	I2C3 error interrupt	0x0000_0138
63	70	Configurable	SPI4	SPI4 global interrupt	0x0000_013C
64	71	-	-	Reserved	0x0000_0140
65	72	-	-	Reserved	0x0000_0144
66	73	-	-	Reserved	0x0000_0148
67	74	-	-	Reserved	0x0000_014C
68	75	Configurable	CAN2_TX	CAN2 TX interrupt	0x0000_0150
69	76	Configurable	CAN2_RX0	CAN2 RX0 interrupt	0x0000_0154
70	77	Configurable	CAN2_RX1	CAN2 RX1 interrupt	0x0000_0158
71	78	Configurable	CAN2_SE	CAN2 status error interrupt	0x0000_015C
72	79	Configurable	ACC	ACC interrupt	0x0000_0160
73	80	Configurable	USBFS_MAPH ¹	USBFS remap high priority interrupt	0x0000_0164
74	81	Configurable	USBFS_MAPL ¹	USBFS remap low priority interrupt	0x0000_0168
75	82	Configurable	DMA2 channel6_7	DMA2 channel6 and DMA2 channel7 global interrupt	0x0000_016C
76	83	Configurable	USART6	USART6 global interrupt	0x0000_0170

77	84	Configurable	UART7	UART7 global interrupt	0x0000_0174
78	85	Configurable	UART8	UART8 global interrupt	0x0000_0178
79	86	Configurable	EMAC ²	Ethernet global interrupt	0x0000_017C
80	87	Configurable	EMAC_WKUP ²	Ethernet wakeup interrupt through EXINT	0x0000_0180

Note: 1. USBFS module interrupt supports remap through the USBINTMAP bit in the CRM_INTMAP register. When USBINTMAP=0, use USBFS_H (19th) and USBFS_L (20th) interrupts; when USBINTMAP=1, use USB_MAPH (73rd) and USB_MAPL (74th) interrupts.

2. AT32F407 supports EMAC and EMAC_WKUP interrupts, but AT32F403A does not.

1.1.4 System Tick (SysTick)

The System Tick is a 24-bit downcounter. It will be reloaded with the initial value automatically when it is decremented to zero. It can generate periodic interrupts, so it is often used as multi-task scheduling counter for embedded operating system, and also to call the periodic tasks for non-embedded system.

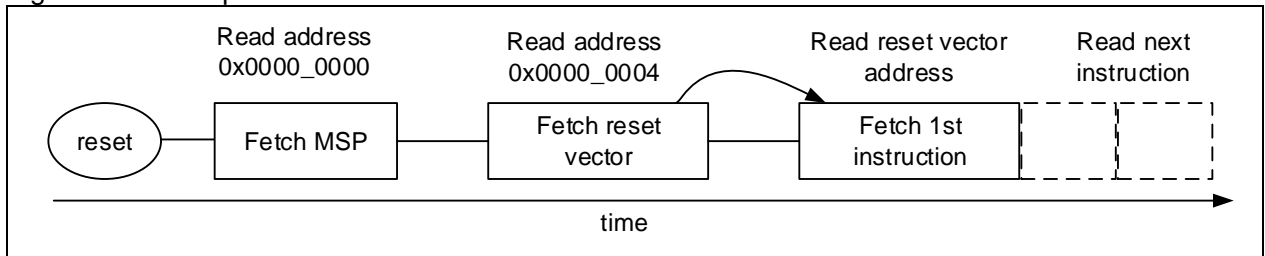
The System Tick calibration value is fixed to 9000, which gives a reference time base of 1 ms when the System Tick clock is set to 9 MHz.

1.1.5 Reset

The processor reads the first two words from the CODE memory after a system reset and before program execution.

- Get the initial value of the main stack pointer (MSP) from address 0x0000_0000
- Get the initial value of the program counter (PC) from address 0x0000_0004. This value is a reset vector and LSB must be 1. Then take the instructions from the address corresponding to this value.

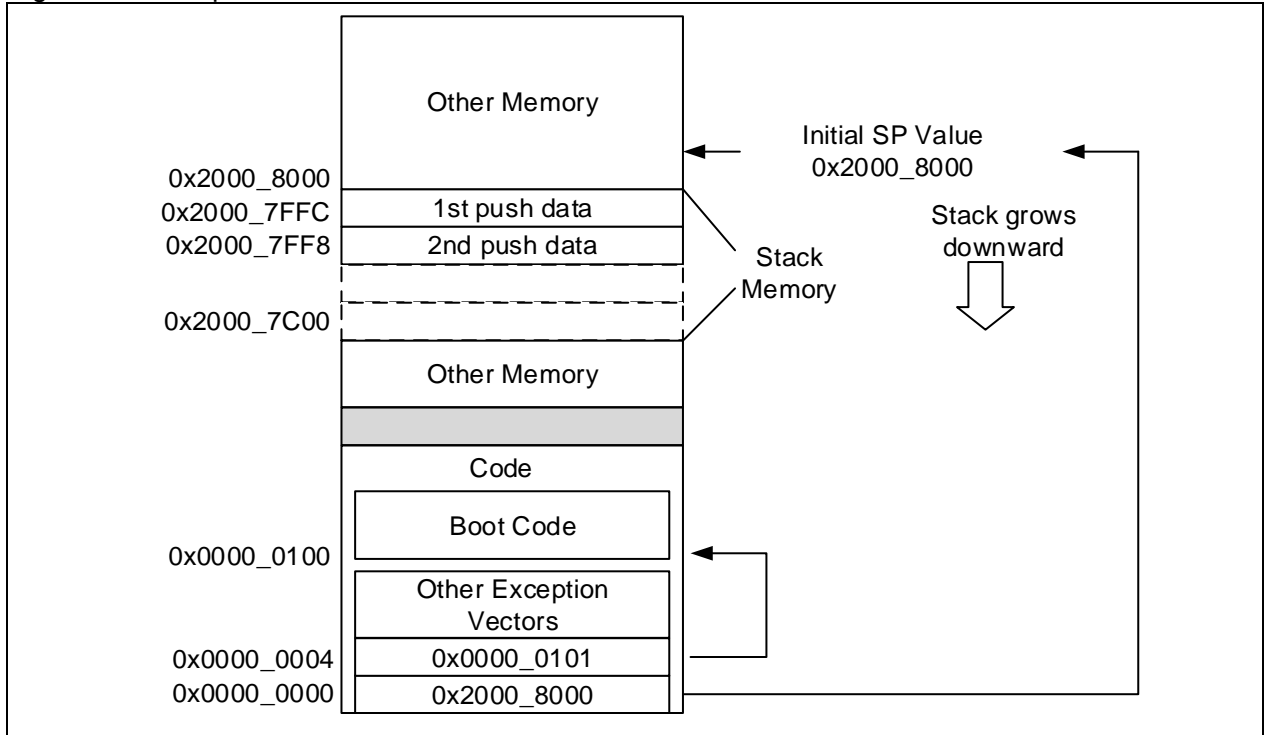
Figure 1-5 Reset process



Cortex™-M4F uses a full stack that increases downward, so the initial value of the main stack pointer (MSP) must be the end address of the stack memory plus 1. For example, if the stack area is set between 0x2000_7C00 and 0x2000_7FFF, then the initial value of MSP must be defined as 0x2000_8000.

The vector table follows the initial value of MSP. Cortex™-M4F operates in Thumb state, and thus each data value in the vector table must set the LSB to 1. In Figure 1-6, 0x0000_0101 is used to represent 0x0000_0100. After the instruction at 0x0000_0100 is executed, the program starts running formally. Before that, it is a must for initializing MSP, because the first instruction may be interrupted by NMI or other faults before being executed. After the completion of MSP initialization, it is ready to prepare stack room for its service routines.

Figure 1-6 Example of MSP and PC initialization



In the AT32F403A/407 series, the main Flash memory, Boot code or SRAM can be remapped to the code area between 0x0000_0000 and 0x07FF_FFFF. BOOT1 and BOOT0 are used to set the specific memory from which CODE starts.

{BOOT1, BOOT0}=00/10, CODE starts from the main Flash memory

{BOOT1, BOOT0}=01, CODE starts from Boot code

{BOOT1, BOOT0}=11, CODE starts from SRAM

After a system reset or when leaving from Standby mode, the pin values of both BOOT1 and BOOT0 will be relatched.

Boot code memory contains an embedded boot loader program that provides not only Flash programming function through USART1, USART2 or USB interface, but also provides extra firmware including communication protocol stacks that can be called for use by software developer through API.

1.2 List of abbreviations for registers

Table 1-4 List of abbreviations for registers

Register type	Description
rw	Software can read and write to this bit.
ro	Software can only read this bit.
wo	Software can only write to the bit. Reading it returns its reset value.
rrc	Software can read this bit. Reading this bit automatically clears it.
rw0c	Software can read this bit and clear it by writing 0. Writing 1 has no effect on this bit.
rw1c	Software can read this bit and clear it by writing 1. Writing 0 has no effect on this bit.
rw1s	Software can read this bit and set it by writing 1. Writing 0 has no effect on this bit.
tog	Software can read this bit and toggle it by writing 1. Writing 0 has no effect on this bit.
rwt	Software can read this bit. Writing any value will trigger an event.
resd	Reserved.

1.3 Device characteristics information

Table 1-5 List of abbreviations for registers

Register abbr.	Base address	Reset value
F_SIZE	0x1FFF F7E0	0xFFFF
UID[31: 0]	0x1FFF F7E8	0xFFFF XXXX
UID[63: 32]	0x1FFF F7EC	0xFFFF XXXX
UID[95: 64]	0x1FFF F7F0	0xFFFF XXXX

1.3.1 Flash memory size register

This register contains the information about Flash memory size.

Bit	Abbr.	Reset value	Type	Description
Bit 15: 0	F_SIZE	0xFFFF	ro	Flash size, in terms of KByte For example: 0x0080 = 128 KByte

1.3.2 Device electronic signature

The device electronic signature contains the memory size and the unique device ID (96 bits). It is stored in the information block of the Flash memory. The 96-bit ID is unique for any device, and cannot be altered by users. It can be used for the following:

- Serial number: such as USB string serial number
- Part of security keys

Bit	Abbr.	Reset value	Type	Description
Bit 31: 0	UID[31: 0]	0xFFFF XXXX	ro	UID for bit 31 to bit 0

Bit	Abbr.	Reset value	Type	Description
Bit 31: 0	UID[63: 32]	0xFFFF XXXX	ro	UID for bit 63 to bit 32

Bit	Abbr.	Reset value	Type	Description
Bit 31: 0	UID[95: 64]	0xFFFF XXXX	ro	UID for bit 95 to bit 64

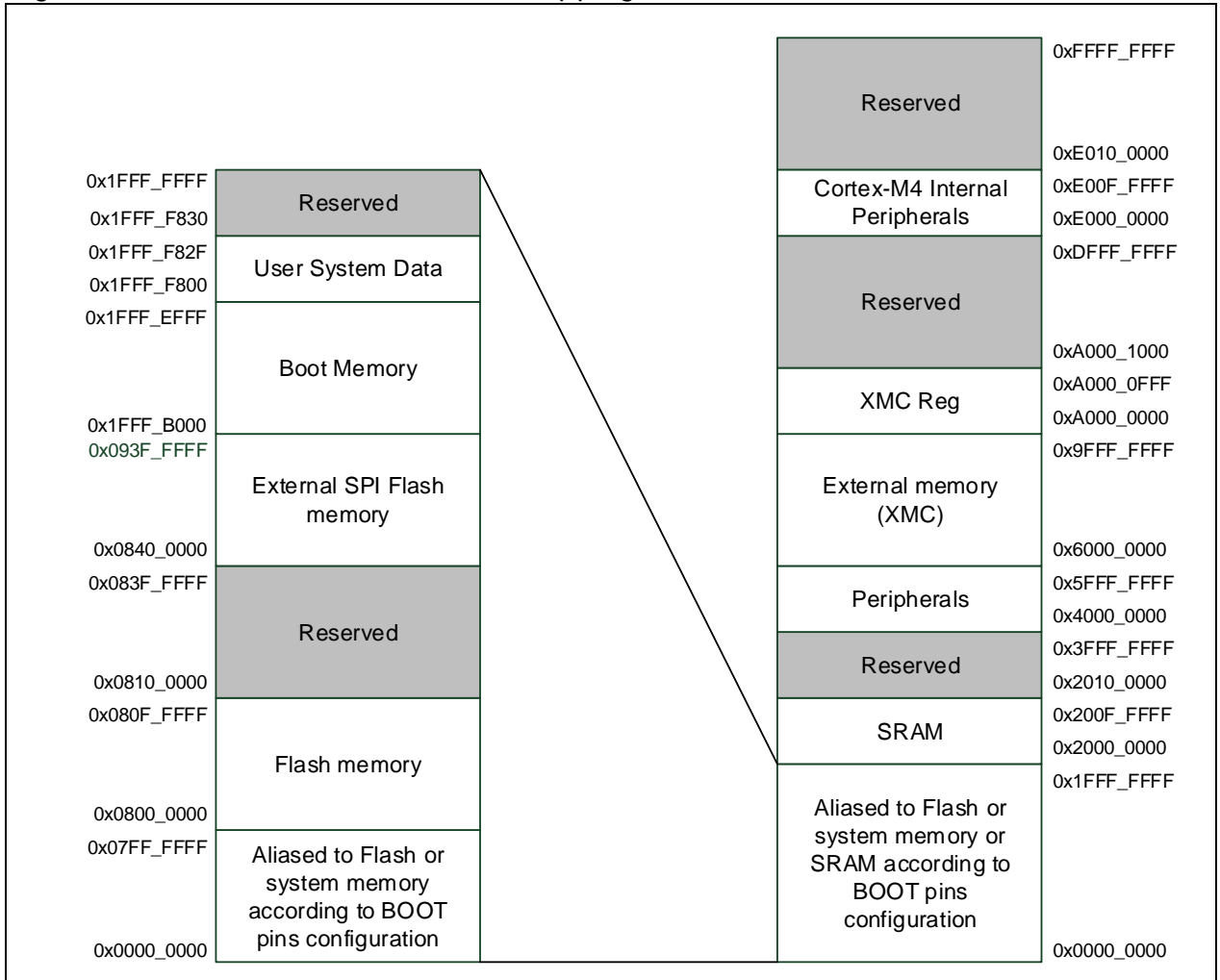
Note: UID[95:88] is series ID, which is 0x07 for AT32F403A, and 0x8 for AT32F407.

2 Memory resources

2.1 Internal memory address map

Internal memory contains program memory (Flash), data memory (SRAM), peripheral registers and core registers. Their respective address mapping are shown in Figure 2-1.

Figure 2-1 AT32F403A/407 address mapping



2.2 Flash memory

AT32F403A/407 series provide up to 1024 KB of on-chip Flash memory, supporting a zero wait state single cycle 32-bit read operation.

Refer to [Chapter 5](#) for more details about Flash memory controller and register configuration.

Flash memory organization (1024K)

The main memory is divided into bank 1 and bank 2. 512 Kbytes/256 sectors per bank, and 2 Kbytes per sector.

External memory size can be up to 16 Mbytes, including 4096 sectors, and 4 Kbytes per sector.

Block	Name	Address range	
Main memory	Bank 1 512 KB	Sector 0	0x0800 0000 – 0x0800 07FF
		Sector 1	0x0800 0800 – 0x0800 0FFF
		Sector 2	0x0800 1000 – 0x0800 17FF
	
		Sector 255	0x0807 F800 – 0x0807 FFFF
	Bank2 512 KB	Sector 256	0x0808 0000 – 0x0808 07FF
		Sector 257	0x0808 0800 – 0x0808 0FFF
		Sector 258	0x0808 1000 – 0x0808 17FF
	
		Sector 511	0x080F F800 – 0x080F FFFF
		External memory	16 MB
Sector 1	0x0840 1000 – 0x0840 1FFF		
Sector 2	0x0840 2000 – 0x0840 2FFF		
...	...		
Sector 4095	0x093F F000 – 0x093F FFFF		
Information block	16 KB boot memory		
	48 B user system data area	0x1FFF F800 – 0x1FFF F82F	

Flash memory organization (512K)

The main memory contains only one bank of 512 Kbytes, including 256 sectors and 2 Kbytes per sector.

External memory size can be up to 16 Mbytes, including 4096 sectors, and 4 Kbytes per sector.

Block	Name	Address range	
Main memory	Bank 1 512 KB	Sector 0	0x0800 0000 – 0x0800 07FF
		Sector 1	0x0800 0800 – 0x0800 0FFF
		Sector 2	0x0800 1000 – 0x0800 17FF
	
		Sector 255	0x0807 F800 – 0x0807 FFFF
External memory	16 MB	Sector 0	0x0840 0000 – 0x0840 0FFF
		Sector 1	0x0840 1000 – 0x0840 1FFF
		Sector 2	0x0840 2000 – 0x0840 2FFF
	
		Sector 4095	0x093F F000 – 0x093F FFFF
		Information block	16 KB boot memory
48 B user system data area	0x1FFF F800 – 0x1FFF F82F		

Flash memory organization (256K)

The main memory contains only one bank of 256 Kbytes, including 128 sectors and 2 Kbytes per sector. External memory size can be up to 16 Mbytes, including 4096 sectors, and 4 Kbytes per sector.

Block	Name	Address range	
Main memory	Bank 1 256 KB	Sector 0	0x0800 0000 – 0x0800 07FF
		Sector 1	0x0800 0800 – 0x0800 0FFF
		Sector 2	0x0800 1000 – 0x0800 17FF
	
		Sector 127	0x0803 F800 – 0x0803 FFFF
External memory	16 MB	Sector 0	0x0840 0000 – 0x0840 0FFF
		Sector 1	0x0840 1000 – 0x0840 1FFF
		Sector 2	0x0840 2000 – 0x0840 2FFF
	
		Sector 4095	0x093F F000 – 0x093F FFFF
Information block	16 KB boot memory	0x1FFF B000 – 0x1FFF EFFF	
	48 B user system data area	0x1FFF F800 – 0x1FFF F82F	

2.3 SRAM memory

The AT32F403A/407 series contain up to 96 KB of on-chip SRAM which starts at the address 0x2000_0000. It supports byte, half-word (16 bit) and word (32 bit) accesses. In addition, AT32F403A/407 also provide a special mode that supports dynamic switch between 96 KB and 224 KB. This is done by setting the EOPB0 bit. In 224 KB mode, Flash memory size (zero wait state) is limited to 128 KB, while in 96 KB mode, the zero-wait-state Flash size is limited to 256 KB.

2.4 Peripheral address map

Table 2-1 Peripheral boundary address

Bus	Boundary address	Peripherals
AHB	0A000 1000 - 0xFFFF FFFF	Reserved
	0A000 0000 - 0xA000 0FFF	XMC_REG
	0x6000 0000 - 0x9FFF FFFF	XMC_MEM
	0x4002 A000 - 0x5FFF FFFF	Reserved
	0x4002 8000 - 0x4002 9FFF	EMAC
	0x4002 3400 - 0x4002 7FFF	SDIO2
	0x4002 3000 - 0x4002 33FF	CRC
	0x4002 2000 - 0x4002 23FF	Flash memory interface (FLASH)
	0x4002 1400 - 0x4002 1FFF	Reserved
	0x4002 1000 - 0x4002 13FF	Clock reset manage (CRM)
	0x4002 0800 - 0x4002 0FFF	Reserved
	0x4002 0400 - 0x4002 07FF	DMA2
	0x4002 0000 - 0x4002 03FF	DMA1
	0x4001 8400 - 0x4001 FFFF	Reserved
	0x4001 8000 - 0x4001 83FF	SDIO
	APB2	0x4001 7400 - 0x4001 7FFF
0x4001 7000 - 0x4001 73FF		I ² S3EXT
0x4001 6C00 - 0x4001 6FFF		I ² S2EXT
0x4001 6800 - 0x4001 6BFF		UART8
0x4001 6400 - 0x4001 67FF		UART7
0x4001 6000 - 0x4001 63FF		USART6

	0x4001 5C00 - 0x4001 5FFF	I ² C3
	0x4001 5800 - 0x4001 5BFF	ACC
	0x4001 5400 - 0x4001 57FF	TMR11 timer
	0x4001 5000 - 0x4001 53FF	TMR10 timer
	0x4001 4C00 - 0x4001 4FFF	TMR9 timer
	0x4001 4400 - 0x4001 4BFF	Reserved
	0x4001 4000 - 0x4001 43FF	Reserved
	0x4001 3C00 - 0x4001 3FFF	ADC3
	0x4001 3800 - 0x4001 3BFF	USART1
	0x4001 3400 - 0x4001 37FF	TMR8 timer
	0x4001 3000 - 0x4001 33FF	SPI1/I ² S1
	0x4001 2C00 - 0x4001 2FFF	TMR1 timer
	0x4001 2800 - 0x4001 2BFF	ADC2
	0x4001 2400 - 0x4001 27FF	ADC1
	0x4001 2000 - 0x4001 23FF	Reserved
	0x4001 1C00 - 0x4001 1FFF	Reserved
	0x4001 1800 - 0x4001 1BFF	GPIO port E
	0x4001 1400 - 0x4001 17FF	GPIO port D
	0x4001 1000 - 0x4001 13FF	GPIO port C
	0x4001 0C00 - 0x4001 0FFF	GPIO port B
	0x4001 0800 - 0x4001 0BFF	GPIO port A
	0x4001 0400 - 0x4001 07FF	EXINT
	0x4001 0000 - 0x4001 03FF	IOMUX
APB1	0x4000 8400 - 0x4000 FFFF	Reserved
	0x4000 7800 - 0x4000 83FF	USBFS 1280 bytes buffer ⁽¹⁾
	0x4000 7400 - 0x4000 77FF	DAC
	0x4000 7000 - 0x4000 73FF	Power control (PWC)
	0x4000 6C00 - 0x4000 6FFF	Backup registers (BPR)
	0x4000 6800 - 0x4000 6BFF	CAN2
	0x4000 6400 - 0x4000 67FF	CAN1
	0x4000 6000 - 0x4000 63FF	USBFS 512 bytes buffer ⁽¹⁾
	0x4000 5C00 - 0x4000 5FFF	USBFS
	0x4000 5800 - 0x4000 5BFF	I ² C2
	0x4000 5400 - 0x4000 57FF	I ² C1
	0x4000 5000 - 0x4000 53FF	UART5
	0x4000 4C00 - 0x4000 4FFF	UART4
	0x4000 4800 - 0x4000 4BFF	USART3
	0x4000 4400 - 0x4000 47FF	USART2
	0x4000 4000 - 0x4000 43FF	SPI4/I ² S4
	0x4000 3C00 - 0x4000 3FFF	SPI3/I ² S3
	0x4000 3800 - 0x4000 3BFF	SPI2/I ² S2

0x4000 3400 - 0x4000 37FF	Reserved
0x4000 3000 - 0x4000 33FF	Watchdog timer (WDT)
0x4000 2C00 - 0x4000 2FFF	Window watchdog timer (WWDT)
0x4000 2800 - 0x4000 2BFF	RTC
0x4000 2400 - 0x4000 27FF	Reserved
0x4000 2000 - 0x4000 23FF	TMR14 timer
0x4000 1C00 - 0x4000 1FFF	TMR13 timer
0x4000 1800 - 0x4000 1BFF	TMR12 timer
0x4000 1400 - 0x4000 17FF	TMR7 timer
0x4000 1000 - 0x4000 13FF	TMR6 timer
0x4000 0C00 - 0x4000 0FFF	TMR5 timer
0x4000 0800 - 0x4000 0BFF	TMR4 timer
0x4000 0400 - 0x4000 07FF	TMR3 timer
0x4000 0000 - 0x4000 03FF	TMR2 timer

Note: 1. When USBBUFS = 0, USBFS buffer size is 512 bytes, its address is 0x4000 6000 ~ 0x400063FF. When USBBUFS = 1, USBFS buffer size is 768 ~ 1280 bytes, its address is 0x4000 7800 ~ 0x4000 83FF. If both CAN1 and CAN2 are not enabled, the maximum USBFS buffer can be set to 1280 bytes; If any one of them is enabled, the maximum USBFS buffer can be up to 1024 bytes; If both are enabled, the maximum USB buffer can be set to 768 bytes.

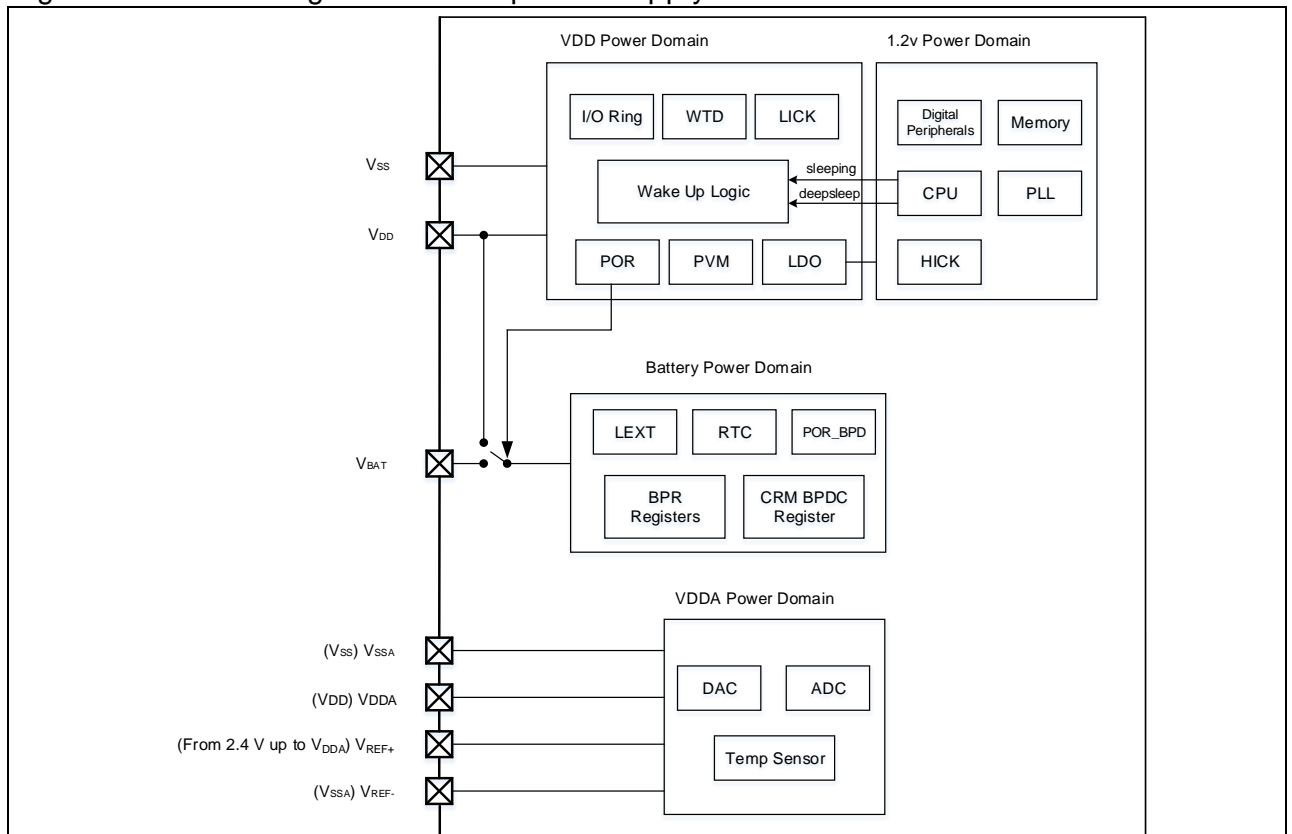
2. Only AT32F407 supports EMAC module.

3 Power control (PWC)

3.1 Introduction

For AT32F403A/407 series, its operating voltage supply is 2.6 V ~ 3.6 V, with a temperature range of -40~+105 °C. To reduce power consumption, this series provides three types of power saving modes, including Sleep, Deepsleep and Standby modes so as to achieve the best tradeoff among the conflicting demands of CPU operating time, speed and power consumption. The AT32F403A/407 series have three power domains—VDD/VDDA domain, 1.2 V domain and battery powered domain. The VDD/VDDA domain is supplied directly by external power, the 1.2 V domain is powered by the embedded LDO in the VDD/VDDA domain, and the battery powered domain is supplied through a V_{BAT} pin.

Figure 3-1 Block diagram of each power supply



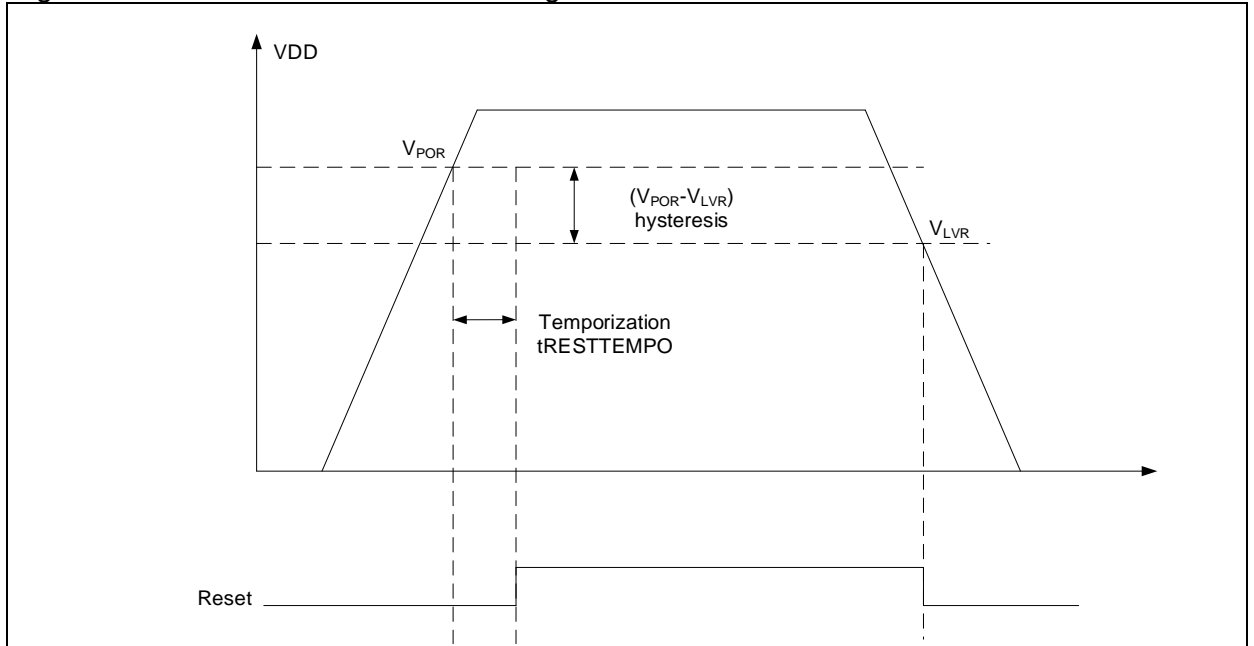
3.2 Main Features

- Three power domains: VDD/VDDA domain, 1.2 V domain and battery powered domain
- Three types of power saving modes: Sleep mode, Deepsleep mode, and Standby mode
- Internal voltage regulator supplies 1.2 V voltage source for the core domain
- Power voltage detector is provided to issue an interrupt when the supply voltage is lower or higher than a programmed threshold
- The battery powered domain is powered by V_{BAT} when V_{DD} is powered off
- VDD/VDDA applies separated digital and analog module to reduce noise on external power

3.3 POR/LVR

A POR analog module embedded in the VDD/VDDA domain is used to generate a power reset. The power reset signal is released at V_{POR} when the V_{DD} is increased from 0 V to the operating voltage, or it is triggered at V_{LVR} when the V_{DD} drops from the operating voltage to 0 V. During the power-on reset period, the reset signal has certain amount of time delay compared to V_{DD} boost process. At the same time, hysteresis occurs in power-on reset (POR) and low voltage reset (LVR).

Figure 3-2 Power-on reset/Low voltage reset waveform

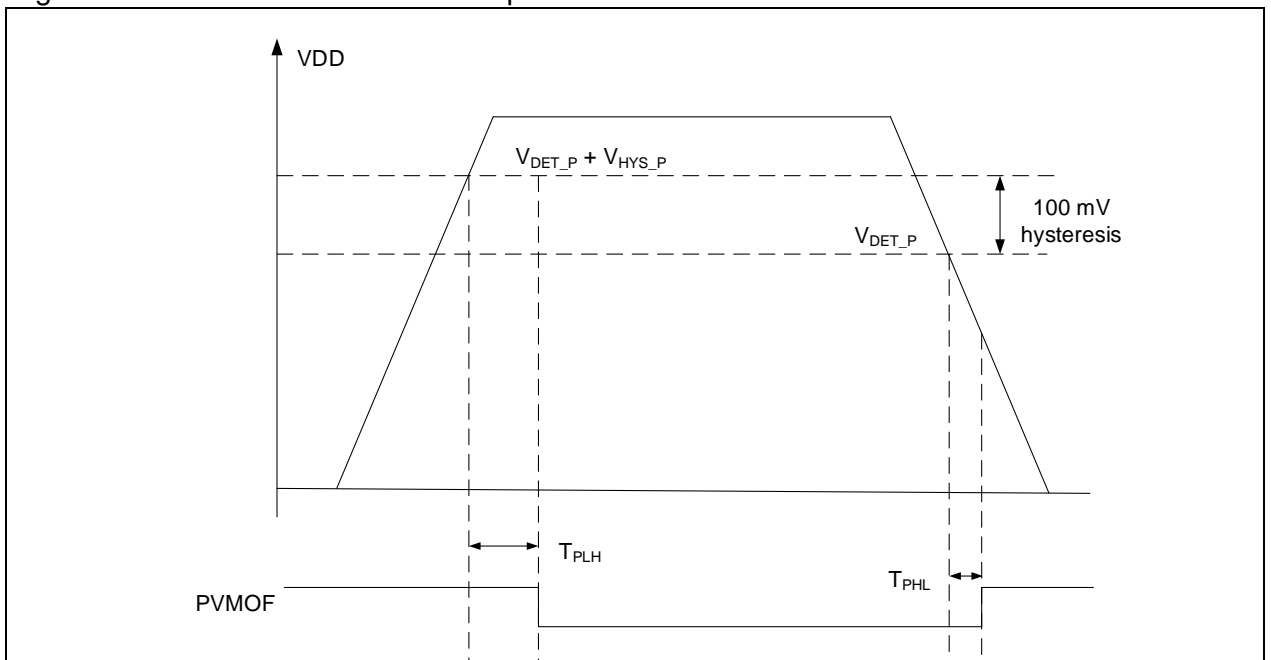


3.4 Power voltage monitor (PVM)

The PVM is used to monitor the power supply variations. It is enabled by setting the PVMEN bit in the power control register (PWC_CTRL), and the threshold value for voltage monitor is selected with the PVMSEL[2: 0].

After PVM is enabled, the comparison result between VDD and the programmed threshold is indicated by the PVMOF bit in the PWC_CTRLSTS register, with the hysteresis voltage V_{HYS_P} being 100 mV. The PVM interrupt will be generated through the EXTI line 16 when VDD rises above the PVM threshold.

Figure 3-3 PVM threshold and output



3.5 Power domain

1.2 V domain

1.2 V core domain includes a CPU core, SRAM, embedded digital peripherals and Phase Locked Loop (PLL). Such power domain is supplied by LDO (voltage regulator).

VDD/VDDA domain

VDD/VDDA domain includes VDD domain and VDDA domain. The VDD domain contains I/O circuit, power-saving mode wakeup circuit, watchdog timer, power-on reset/low voltage reset (POR/LVR), LDO and all PAD circuits other than PC13, PC14 and PC15. The VDDA domain contains DAC/ADC (DA/AD converters), temperature sensor and so on.

Typically, to ensure a better accuracy of ADC/DAC at a low voltage, the digital circuit is supplied by VDD while the analog circuit is powered by VDDA. On 64-pin packages and packages with less pins, the external reference voltage VREF+ and VREF- are connected to the VDDA pin and VSSA pin, respectively.

Battery powered domain

The battery powered domain contains RTC circuit, LEXT oscillator, PC13, PC14 and PC15, which is powered by either VDD or VBAT pin. When the VDD is cut off, the battery powered domain is automatically switched to VBAT pin to ensure that RTC can work normally.

- 1) When the battery powered domain is powered by VDD, the PC13 can be used as a general-purpose I/O, tamper pin, RTC calibration clock, RTC alarm or second output, while the PC14 and PC15 can be used as a GPIO or LEXT pin. (As an I/O port, PC13, PC14 and PC15 must be limited below 2 MHz, and to the maximum load of 30 pF, and these I/O ports must not be used as current sources)
- 2) When the battery powered domain is powered by VBAT, the PC13 can be used as a tamper pin, RTC alarm or second output, while the PC14 and PC15 can only be used as a LEXT pin.

The switch of the battery powered domain will not be disconnected from VBAT because of the VDD being at its rising phase or due to VDD low voltage reset. If the power switch has not been switched to the VDD when the VDD is powered on quickly, it is recommended to add a low voltage drop diode between VDD and VBAT in order to prevent the currents of VDD from being injected to VBAT. If there is no external battery in the application, it is better to connect the VBAT to a 100 nF ceramic filter capacitor that is externally connected to VDD.

3.6 Power saving modes

When the CPU does not need to be kept running, there are three types of low-power modes available (Sleep mode, Deep sleep mode and Standby mode) to save power. Users can select the mode that gives the best compromise according to the low-power consumption, short startup time, and available wakeup sources. In addition, the power consumption in Run mode can be reduced by slowing down the system clocks or gating the clocks on the APB and AHB peripherals when they are not used.

Sleep mode

The Sleep mode is entered by executing WFI or WFE command. There are two options to select the Sleep mode entry mechanism through the SLEEPONEXIT bit in the Cortex®-M4F system control register.

SLEEP-NOW mode:

When SLEEPDEEP=0 and SLEEPONEXIT=0, the MCU enters Sleep mode as soon as WFI or WFE instruction is executed.

SLEEP-ON-EXIT mode:

When SLEEPDEEP=0 and SLEEPONEXIT=1, by executing the WFI instruction, the MCU enters Sleep mode as soon as the system exits the lowest-priority interrupt service routine.

In Sleep mode, all clocks and LDO work normally except CPU clocks (stopped), and all I/O pins keep the same state as in Run mode. The LDO provides a 1.2 V power (for CPU core, memory and embedded peripherals) as it is in normal power consumption mode.

- 1) If the WFI is executed to enter Sleep mode, any peripheral interrupt can wake up the device from Sleep mode.
- 2) If the WFE is executed to enter Sleep mode, the MCU exits Sleep mode as soon as an event occurs.

The wakeup event can be generated by the following:

- Enabling a peripheral interrupt (it is not enabled in the NVIC) and enabling the SEVONPEND bit. When the MCU resumes, the peripheral interrupt pending bit and NVIC channel pending bit must be cleared.
- Configuring an internal EXINT line as an event mode to generate a wakeup event.

The wakeup time required by a WFE command is the shortest, since no time is wasted on interrupt entry/exit.

Deepsleep Mode

Deepsleep mode is entered by setting the SLEEPDEEP bit in the Cortex™-M4F system control register and clearing the LPSEL bit in the power control register before executing WFI or WFE instruction.

The LDO status is selected by setting the VRSEL bit in the power control register (PWC_CTRL). When VRSEL=0, the LDO works in normal mode. When VRSEL=1, the LDO is set in low-power consumption mode.

In Deepsleep mode, all clocks in 1.2 V domain are stopped, and both HICK and HEXT oscillators are disabled. The LDO supplies power to the 1.2 V domain in normal mode or low-power mode. All I/O pins keep the same state as in Run mode. SRAM and register contents are preserved.

- 1) When the Sleep mode is entered by executing a WFI instruction, the interrupt generated on any external interrupt line in Interrupt mode can wake up the system from Deepsleep mode.
- 2) When the Sleep mode is entered by executing a WFE instruction, the interrupt generated on any external interrupt line in Event mode can wake up the system from Deepsleep mode.

When the MCU exits the Deepsleep mode, the HICK RC oscillator is enabled and selected as a system clock after stabilization. When the LDO operates in low-power mode, an additional wakeup delay is incurred for the reason that the LDO must be stabilized before the system is waken from the Deepsleep mode.

Standby Mode

Standby mode can achieve the lowest power consumption for the device. In this mode, the LDO is disabled. The whole 1.2 V domain, PLL, HICK and HEXT oscillators are also powered off. SRAM and register contents are lost. Only registers in the battery powered domain and standby circuitry remain supplied.

The Standby mode is entered by the following procedures:

- Set the SLEEPDEE bit in the Cortex™-M4F system control register
- Set the LPSEL bit in the power control register (PWC_CTRL)
- Clear the SWEF bit in the power control/status register (PWC_CTRLSTS)
- Execute a WFI/WFE instruction

In Standby mode, all I/O pins remain in a high-impedance state except reset pins, TAMPER pins that are set as anti-tamper or calibration output, and the wakeup pins enabled.

The MCU leaves the Standby mode when an external reset (NRST pin), an WDT reset, a rising edge on the WKUP pin or the rising edge of an RTC alarm even occurs.

Debug mode

By default, the debug connection is lost if the MCU enters Deepsleep mode or Standby mode while debugging. The reason is that the Cortex™-M4F core is no longer clocked. However, the software can be debugged even in the low-power mode by setting some configuration bits in the DEBUG register (DEBUG_CTRL).

3.7 PWC registers

The peripheral registers can be accessed by half-words (16 bit) or words (32 bit)

Table 3-1 PW register map and reset values

Register abbr.	Offset	Reset value
PWC_CTRL	0x00	0x0000 0000
PWC_CTRLSTS	0x04	0x0000 0000

3.7.1 Power control register (PWC_CTRL)

Bit	Name	Reset value	Type	Description
Bit 31: 9	Reserved	0x000000	resd	Kept at its default value.
Bit 8	BPWEN	0x0	rw	Battery powered domain write enable 0: Disabled 1: Enabled Note: After reset, the battery powered domain write access is disabled. To write, this bit must be enabled.
Bit 7: 5	PVMSEL	0x0	rw	Power voltage monitoring boundary select 000: Unused, not configurable 001: 2.3 V 010: 2.4 V 011: 2.5 V 100: 2.6 V 101: 2.7 V 110: 2.8 V 111: 2.9 V
Bit 4	PVMEN	0x0	rw	Power voltage monitoring enable 0: Disabled 1: Enabled
Bit 3	CLSEF	0x0	wo	Clear SEF flag 0: No effect 1: Clear the SEF flag Note: This bit is cleared by hardware after clearing the SEF flag. Reading this bit at any time will return all zero.
Bit 2	CLSWEF	0x0	wo	Clear SWEF flag 0: No effect 1: Clear the SWEF flag Note: Clear the SWEF flag after two system clock cycles. This bit is cleared by hardware after clearing the SWEF flag. Reading this bit at any time will return all zero.
Bit 1	LPSEL	0x0	rw	Low power mode select in sleepdeep 0: Enter DEEPSLEEP mode 1: Enter Standby mode
Bit 0	VRSEL	0x0	rw	LDO state select in deepsleep mode 0: Enabled 1: Low-power consumption mode

3.7.2 Power control/status register (PWC_CTRLSTS)

Additional APB cycles are needed to read this register versus a standard APB read.

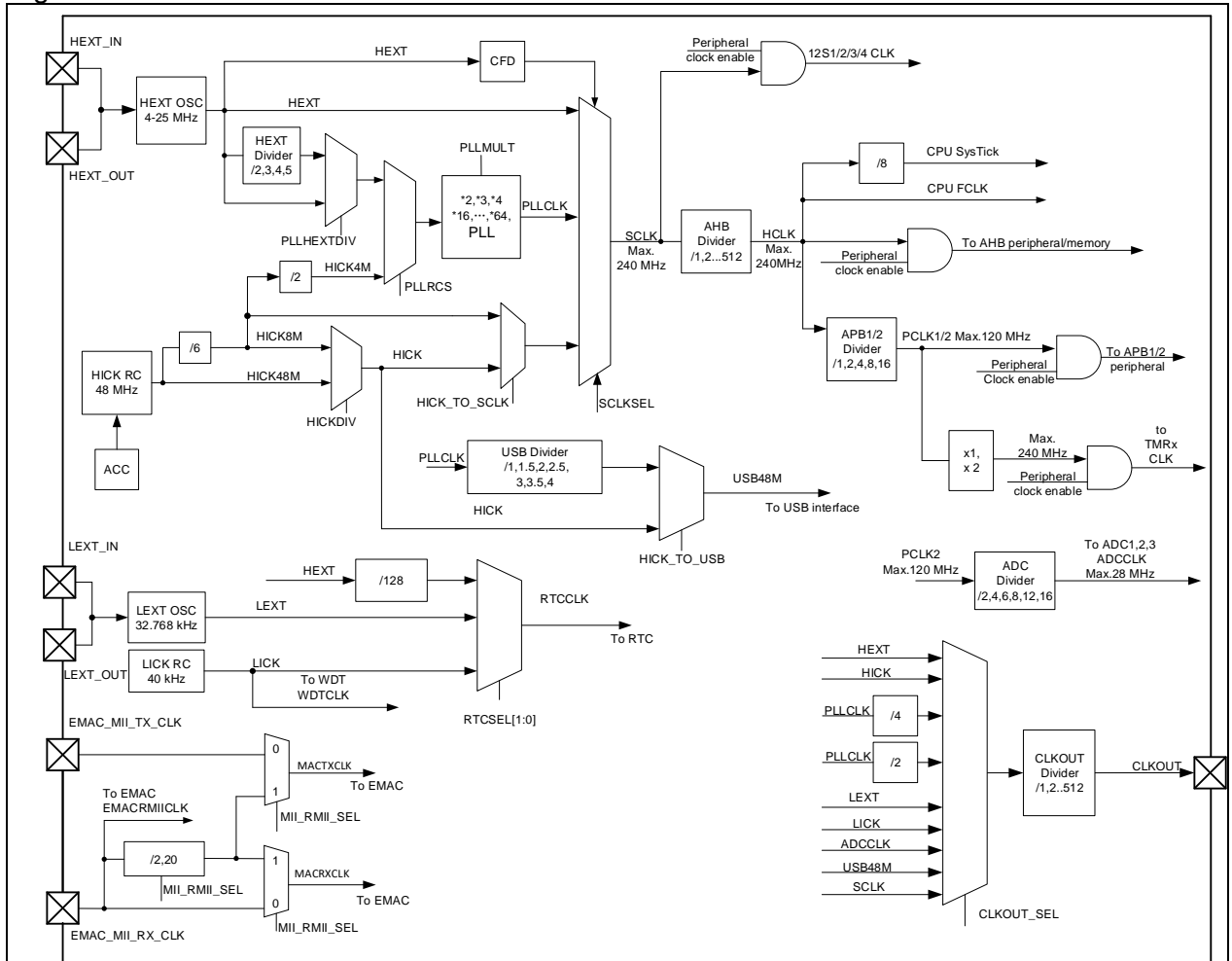
Bit	Name	Reset value	Type	Description
Bit 31: 9	Reserved	0x000000	resd	Kept at its default value.
Bit 8	SWPEN	0x0	rw	Standby wake-up pin enable 0: Disabled (this pin is used for general-purpose I/O) 1: Enabled (this pin is forced in input pull-down mode, and no longer used for general-purpose I/O) Note: This bit is cleared by hardware after system reset.
Bit 7: 3	Reserved	0x00	resd	Keep at its default value.
Bit 2	PVMOF	0x0	ro	Power voltage monitoring output flag 0: Power voltage is higher than the threshold 1: Power voltage is lower than the threshold Note: The power voltage monitor is stopped in Standby mode.
Bit 1	SEF	0x0	ro	Standby mode entry flag 0: Device is not in Standby mode 1: Device is in Standby mode Note: This bit is set by hardware (enter Standby mode) and cleared by POR/LVR or by setting the CLSEF bit.
Bit 0	SWEF	0x0	ro	Standby wake-up event flag 0: No wakeup event occurred 1: A wakeup event occurred Note: This bit is set by hardware (on a wakeup event), and cleared by POR/LVR or by setting the CLSWEF bit. A wakeup event is generated by one of the following: When the rising edge on the Standby wakeup pin occurs; When the RTC alarm event occurs; If the Standby wakeup pin is enabled when the Standby wakeup pin level is high.

4 Clock and reset manage (CRM)

4.1 Clock

AT32F403A/407 series provide different clock sources: HEXT oscillator clock, HICK oscillator clock, PLL clock, LEXT oscillator and LICK oscillator.

Figure 4-1 AT32F403A/407 clock tree



AHB, APB1 and APB2 all support multiple frequency division. The AHB domain has a maximum of 240 MHz, and both APB1 and APB2 are up to 120 MHz.

4.1.1 Clock sources

- **High speed external oscillator (HEXT)**

The HEXT includes two clock sources: crystal/ceramic resonator and bypass clock.

The HEXT crystal/ceramic resonator is connected externally to a 4~25MHz HEXT crystal that produces a highly accurate clock for the system. The HEXT clock signal is not released until it becomes stable.

An external clock source can be provided by HEXT bypass. Its frequency can be up to 25 MHz. The external clock signal should be connected to the HEXT_IN pin while the HEXT_OUT pin should be left floating.

- **High speed internal clock (HICK)**

The HICK oscillator is clocked by a high-speed RC in the microcontroller. The internal frequency of the HICK clock is 48 MHz. Although it is less accurate, its startup time is shorter than the HEXT crystal oscillator. The HICK clock frequency of each device is calibrated by ARTERY for 1% accuracy (25°C) in factory. The factory calibration value is loaded in the HICKCAL[7: 0] bit of the clock control register. The RC oscillator speed may be affected by voltage or temperature variations. Thus the HICK frequency can be trimmed using the HICKTRIM[5: 0] bit in the clock control register.

The HICK clock signal is not released until it becomes stable.

- **PLL clock**

The HICK or HEXT clock can be used as an input clock source of PLL, and the input clock ranges from 2 M to 16 MHz. The input clock source and multiplication factor must be configured before enabling the PLL. Otherwise, once the PLL is enabled, these parameters cannot be changed. The PLL clock signal is not released until it becomes stable.

- **Low speed external oscillator (LEXT)**

The LEXT oscillator provides two clock sources: LEXT crystal/ceramic resonator and LEXT bypass.

LEXT crystal/ceramic resonator:

The LEXT crystal/ceramic resonator provides a 32.768 KHz low-speed clock source. The LEXT clock signal is not released until it becomes stable.

- **LEXT bypass clock**

In this mode, an external clock source with a frequency of 32.768 kHz can be provided. The external clock signal should be connected to the LEXT_IN pin while the LEXT_OUT remains floating.

- **Low speed internal RC oscillator (LICK)**

The LICK oscillator is clocked by an internal low-speed RC oscillator. The clock frequency is between 30 kHz and 60 kHz. It acts as a low-power clock source that can be kept running in DeepSleep mode and Standby mode for watchdog and auto-wakeup unit.

The LICK clock signal is not released until it becomes stable.

4.1.2 System clock

After a system reset, the HICK oscillator is selected as system clock. The system clock can make flexible switch among HICK oscillator, HEXT oscillator and PLL clock. However, a switch from one clock source to another occurs only if the target clock source becomes stable. When the HICK oscillator is used directly or indirectly through the PLL as the system clock, it cannot be stopped.

4.1.3 Peripheral clock

Most peripherals use HCLK, PCLK1 or PCLK2 clock. The individual peripherals have their dedicated clocks.

System Tick timer (SysTick) is clocked by HCLK or HCLK/8.

ADCs are clocked by APB2 divided by 2, 4, 6, 8, 12 or 16.

The timers are clocked by APB1/2. In particular, if the APB prescaler is 1, the timer clock frequency is equal to that of APB1/2; otherwise, the timer clock frequency is set to double the APB1/2 frequency.

The USB clock source can be switched between HICK and PLL frequency divider. If the HICK is selected as the clock source, the USB clock should be set as 48 MHz; If the PLL frequency divider is selected as the clock source, the USB frequency divider provides 48 MHz USBCLK, and thus the PLL needs to be set as $48 * N * 0.5$ MHz ($N=2,3,4,5\dots$)

RTC clock sources: HEXT/128, LEXT oscillator and LICK oscillator. Once the clock source is selected, it cannot be altered without resetting the battery powered domain. If the LEXT is used as RTC clock, the RTC is not affected when the VDD is powered off. If the HEXT or LICK is selected as RTC clock, the RTC state is not guaranteed when both HEXT and LICK are powered off.

Watchdog is clocked by LICK oscillator. If the watchdog is enabled by either hardware option or software access, the LICK oscillator is forced ON. The clock is provided to the watchdog only after the LICK oscillator temporization.

4.1.4 Clock fail detector

The clock fail detector (CFD) is designed to respond to HEXT clock failure when the HEXT is used as the system clock, directly or indirectly. If a failure is detected on the HEXT clock, a clock failure event is sent to the break input of TMR1 and TMR8 and an interrupt is generated. This interrupt is directly linked to CPU NMI so that the software can perform rescue operations. The NMI interrupt keeps executing until the CFD interrupt pending bit is cleared. This is why the CFD interrupt has to be cleared in the NMI service routine. The HEXT clock failure will result in a switch of the system clock to the HICK clock, the CFD to be disabled, HEXT clock to be stopped, and even PLL to be disabled if the HEXT clock is selected as the system clock through PLL.

4.1.5 Auto step-by-step system clock switch

The automatic frequency switch is designed to ensure a smooth and stable switch of system frequency when the system clock source is switched from others to the PLL or when the AHB prescaler is changed from large to small. When the operational target is larger than 108 MHz, it is recommended to enable the automatic frequency switch. Once it is enabled, the AHB bus is halted by hardware till the completion of the switch. During this switch period, the DMA remain working, and the interrupt events are recorded and then handled by NVIC when the AHB bus resumes.

4.1.6 Internal clock output

The microcontroller allows the internal clock signal to be output to an external CLKOUT pin. That is, ADC CLK, USB48M, SCLK, LICK, LEXT, HICK, HEXT, PLL/2 and PLL/4 can be output to the CLKOUT pin.

4.1.7 Interrupts

The microcontroller specifies a stable flag for each clock source. As a result, when a clock source is enabled, it is possible to determine if the clock is stable by checking the flag pertaining to the clock source. An interrupt request is generated when the interrupt corresponding to the clock source is enabled. If a failure is detected on the HEXT clock, the CFD interrupt is generated. Such interrupt is directly linked to CPU NMI.

4.2 Reset

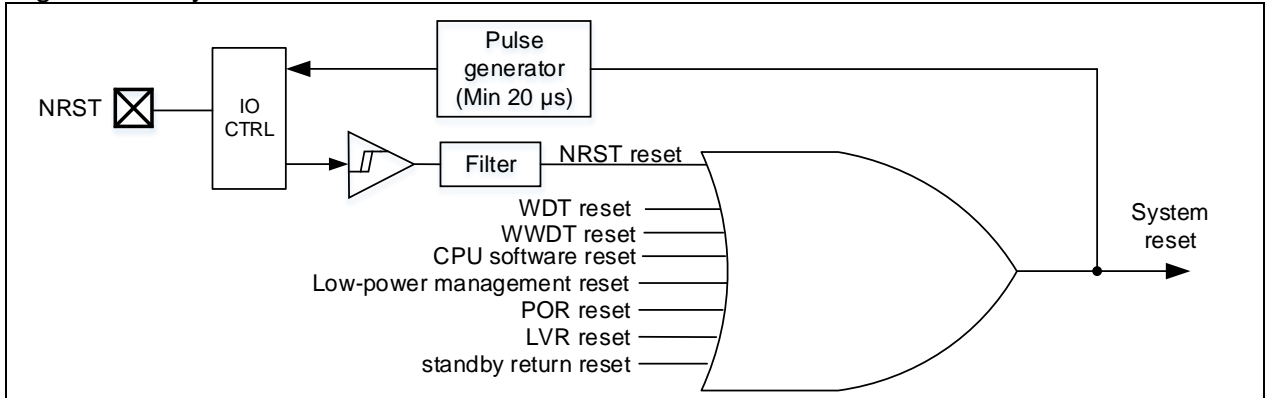
4.2.1 System reset

AT32F403A/407 series provide the following system reset sources:

- NRST reset: on the external NRST pin
- WDT reset: watchdog overflow
- WWDT reset: window watchdog overflow
- CPU software reset: Cortex™-M4F software reset
- Low-power management reset: this type of reset is enabled when entering Standby mode (by clearing the nSTDBY_RST bit in the user system data); this type of reset is enabled when entering DeepSleep mode (by clearing the nDEPSLP_RST in the user system data).
- POR reset: power-on reset
- LVR reset: low voltage reset
- When exiting Standby mode

NRST reset, WDT reset, WWDT reset, software reset and low-power management reset sets all registers to their reset values except the clock control/status register (CRM_CTRLSTS) and the battery powered domain; the power-on reset, low-voltage reset or reset generated when exiting Standby mode sets all registers to their reset values except the battery powered domain registers.

Figure 4-2 System reset circuit



4.2.2 Battery powered domain reset

Battery powered domain has two specific reset sources:

- Software reset: triggered by setting the BPDRST bit in the battery powered domain control register (CRM_BPDC)
 - VDD or VBAT power on, if both supplies have been powered off.
- Software reset affects only the battery powered domain.

4.3 CRM registers

These peripheral registers have to be accessed by bytes (8 bits), half words (16 bits) or words (32 bits).

Table 4-1 CRM register map and reset values

Register	Offset	Reset value
CRM_CTRL	0x000	0x0000 XX83
CRM_CFG	0x004	0x0000 0000
CRM_CLKINT	0x008	0x0000 0000
CRM_APB2RST	0x00C	0x0000 0000
CRM_APB1RST	0x010	0x0000 0000
CRM_AHBEN	0x014	0x0000 0014
CRM_APB2EN	0x018	0x0000 0000
CRM_APB1EN	0x01C	0x0000 0000
CRM_BPDC	0x020	0x0000 0000
CRM_CTRLSTS	0x024	0x0C00 0000
CRM_AHBRST	0x028	0x0000 0000
CRM_MISC1	0x030	0x0000 0000
CRM_MISC2	0x050	0x0000 0000
CRM_MISC3	0x054	0x0000 000D
CRM_INTMAP	0x05C	0x0000 0000

4.3.1 Clock control register (CRM_CTRL)

Bit	Name	Reset value	Type	Description
Bit 30: 26	Reserved	0x00	resd	Kept at its default value.
Bit 25	PLLSTBL	0x0	ro	PLL clock stable This bit is set by hardware after PLL is ready. 0: PLL clock is not ready. 1: PLL clock is ready.
Bit 24	PLLEN	0x0	rw	PLL enable This bit is set and cleared by software. It can also be cleared by hardware when entering Standby or DeepSleep mode. When the PLL clock is used as the system clock, this bit cannot be cleared. 0: PLL is OFF 1: PLL is ON.
Bit 23: 20	Reserved	0x0	resd	Kept at its default value.
Bit 19	CFDEN	0x0	rw	Clock failure detector enable 0: OFF 1: ON
Bit 18	HEXTBYPSS	0x0	rw	High speed external crystal bypass This bit can be written only if the HEXT is disabled. 0: OFF 1: ON
Bit 17	HEXTSTBL	0x0	ro	High speed external crystal stable This bit is set by hardware after HEXT becomes stable. 0: HEXT is not ready. 1: HEXT is ready.
Bit 16	HEXTEN	0x0	rw	High speed external crystal enable This bit is set and cleared by software. It can also be cleared by hardware when entering Standby or DeepSleep mode. When the HEXT clock is used as the system clock, this bit cannot be cleared 0: OFF. 1: ON
Bit 15: 8	HICKCAL	0xXX	rw	High speed internal clock calibration The default value of this field is the initial factory calibration value. When the HICK output frequency is 48 MHz, it needs adjust 240 kHz (design value) based on this frequency for each HICKCAL value change; when HICK output frequency is 8 MHz (design value), it needs adjust 40 kHz based on this frequency for each HICKCAL value change. Note: This bit can be written only if the HICKCAL_KEY[7: 0] is set as 0x5A.
Bit 7: 2	HICKTRIM	0x20	rw	High speed internal clock trimming These bits work with the HICKCAL[7: 0] to determine the HICK oscillator frequency. The default value is 32, which can trim the HICK to be $\pm 1\%$.
Bit 1	HICKSTBL	0x1	ro	High speed internal clock stable This bit is set by hardware after the HICK is ready. 0: Not ready 1: Ready

Bit 0	HICKEN	0x1	rw	<p>High speed internal clock enable</p> <p>This bit is set and cleared by software. It can also be set by hardware when exiting Standby or Deepsleep mode. When a HEXT clock failure occurs. This bit can also be set. When the HICK is used as the system clock, this bit cannot be cleared.</p> <p>0: Disabled 1: Enabled</p>
-------	--------	-----	----	---

4.3.2 Clock configuration register (CRM_CFG)

Access: 0 to 2 wait states. 1 or 2 wait states are inserted only when the access occurs during a clock source switch.

Bit	Name	Reset value	Type	Description
Bit 31	PLLRANGE	0x0	rw	<p>PLL clock output range</p> <p>0: PLL output \leq 72 MHz 1: PLL output > 72 MHz</p>
Bit 26: 24	CLKOUT_SEL	0x0	rw	<p>Clock output selection CLKOUT_SEL[3] is in bit 16 of the CRM_MISC1 register.</p> <p>0000: Not clock output 0001: Reserved 0010: LICK 0011: LEXT 0100: SCLK 0101: HICK 0110: HEXT 0111: PLL/2 1100: PLL/4 1101: USB 1110: ADC</p>
Bit 27 Bit 23: 22	USBDIV	0x0	rw	<p>USB division factor The divided PLL clock is used as USB clock.</p> <p>000: PLL/1.5 001: PLL 010: PLL/2.5 011: PLL/2 100: PLL/3.5 101: PLL/3 110: PLL/4 111: PLL/4</p>
Bit 30: 29 Bit 21: 18	PLLMULT	0x00	rw	<p>PLL multiplication factor { Bit 30: 29, Bit 21: 18}</p> <p>000000: PLLx2 000001: PLLx 3 000010: PLL outputx 4 000011: PLLx 5 001100: PLLx 14 001101: PLLx 15 001110: PLL x 16 001111: PLLx 16 010000: PLLx 17 010001: PLLx 18 010010: PLLx 19 010011: PLLx 20 111110: PLLx 63 111111: PLLx 64</p> <p>Note: The configuration of the PLLRANGE bit has to take into account of the PLL multiplication value.</p>
Bit 17	PLLHEXTDIV	0x0	rw	<p>HEXT division selection for PLL entry clock</p> <p>0: HEXT is not divided</p>

				1: HEXT is divided according to the setting of HEXTDIV.
Bit 16	PLLRCS	0x0	rw	PLL entry clock select 0: HICK clock divided (4MHz) to be PLL entry clock 1: HEXT clock is used as PLL entry clock
Bit 28 Bit 15: 14	ADCDIV	0x0	rw	ADC division The divided PCLK is used as ADC clock. 000: PCLK/2 001: PCLK/4 010: PCLK/6 011: PCLK/8 100: PCLK/2 101: PCLK/12 110: PCLK/8 111: PCLK/16
Bit 13: 11	APB2DIV	0x0	rw	APB2 division HCLK frequency division is used as APB2 clock. 0xx: HCLK is not divided 100: HCLK is divided by 2 101: HCLK is divided by 4 110: HCLK is divided by 8 111: HCLK is divided by 16 Note: These bit must be configured by software to ensure that the APB2 clock frequency is less than 120 MHz.
Bit 10: 8	APB1DIV	0x0	rw	APB1 division HCLK frequency division is used as APB1 clock. 0xx: HCLK is not divided 100: HCLK is divided by 2 101: HCLK is divided by 4 110: HCLK is divided by 8 111: HCLK is divided by 16 Note: These bit must be configured by software to ensure that the APB1 clock frequency is less than 120 MHz.
Bit 7: 4	AHBDIV	0x0	rw	AHB division SCLK frequency division is used as AHB clock. 0xx: SCLK is not divided 1000: SCLK is divided by 2 1001: SCLK is divided by 4 1010: SCLK is divided by 8 1011: SCLK is divided by 16 1100: SCLK is divided by 64 1101: SCLK is divided by 128 1110: SCLK is divided by 256 1111: SCLK is divided by 512
Bit 3: 2	SCLKSTS	0x0	ro	System clock select status 00: HICK 01: HEXT 10: PLL 11: Reserved, default value.
Bit 1: 0	SCLKSEL	0x0	rw	System clock select 00: HICK 01: HEXT 10: PLL 11: Reserved, default value.

4.3.3 Clock interrupt register (CRM_CLKINT)

Bit	Name	Reset value	Type	Description
Bit 31: 24	Reserved	0x00	resd	Kept at its default value.
Bit 23	CFDFC	0x0	wo	Clock failure detection flag clear Writing 1 by software to clear CFDF. 0: No effect 1: Clear
Bit 22: 21	Reserved	0x0	resd	Kept at its default value.
Bit 20	PLLSTBLFC	0x0	wo	PLL stable flag clear Writing 1 by software to clear PLLSTBLF. 0: No effect 1: Clear
Bit 19	HEXTSTBLFC	0x0	wo	HEXT stable flag clear Writing 1 by software to clear HEXTSTBLF. 0: No effect 1: Clear
Bit 18	HICKSTBLFC	0x0	wo	HICK stable flag clear Writing 1 by software to clear HICKSTBLF. 0: No effect 1: Clear
Bit 17	LEXTSTBLFC	0x0	wo	LEXT stable flag clear Writing 1 by software to clear LEXTSTBLF. 0: No effect 1: Clear
Bit 16	LICKSTBLFC	0x0	wo	LICK stable flag clear Writing 1 by software to clear LICKSTBLF. 0: No effect 1: Clear
Bit 15: 13	Reserved	0x0	resd	Kept at its default value.
Bit 12	PLLSTBLIEN	0x0	rw	PLL stable interrupt enable 0: Disabled 1: Enabled
Bit 11	HEXTSTBLIEN	0x0	rw	HEXT stable interrupt enable 0: Disabled 1: Enabled
Bit 10	HICKSTBLIEN	0x0	rw	HICK stable interrupt enable 0: Disabled 1: Enabled
Bit 9	LEXTSTBLIEN	0x0	rw	LEXT stable interrupt enable 0: Disabled 1: Enabled
Bit 8	LICKSTBLIEN	0x0	rw	LICK stable interrupt enable 0: Disabled 1: Enabled
Bit 7	CFDF	0x0	ro	Clock Failure Detection flag This bit is set by hardware when the HEXT clock failure occurs. 0: No clock failure 1: Clock failure
Bit 6: 5	Reserved	0x0	resd	Kept at its default value.
Bit 4	PLLSTBLF	0x0	ro	PLL stable flag Set by hardware.

				0: PLL is not ready. 1: PLL is ready.
Bit 3	HEXTSTBLF	0x0	ro	HEXT stable flag Set by hardware. 0: HEXT is not ready. 1: HEXT is ready.
Bit 2	HICKSTBLF	0x0	ro	HICK stable flag Set by hardware. 0: HICK is not ready. 1: HICK is ready.
Bit 1	LEXTSTBLF	0x0	ro	LEXT stable flag Set by hardware. 0: LEXT is not ready. 1: LEXT is ready.
Bit 0	LICKSTBLF	0x0	ro	LICK stable interrupt flag Set by hardware. 0: LICK is not ready. 1: LICK is ready.

4.3.4 APB2 peripheral reset register (CRM_APB2RST)

Bit	Name	Reset value	Type	Description
Bit 31: 27	Reserved	0x00	resd	Kept at its default value.
Bit 26	UART8RST	0x0	rw	UART8 reset 0: No effect 1: Reset
Bit 25	UART7RST	0x0	rw	UART7 reset 0: No effect 1: Reset
Bit 24	UART6RST	0x0	rw	UART6 reset 0: No effect 1: Reset
Bit 23	I2C3RST	0x0	rw	I2C3 reset 0: No effect 1: Reset
Bit 22	ACCRST	0x0	rw	ACC reset 0: No effect 1: Reset
Bit 21	TMR11RST	0x0	rw	TMR11 reset 0: No effect 1: Reset
Bit 20	TMR10RST	0x0	rw	TMR10 reset 0: No effect 1: Reset
Bit 19	TMR9RST	0x0	rw	TMR9 reset 0: No effect 1: Reset
Bit 18:16	Reserved	0x0	resd	Kept at its default value.
Bit 15	ADC3RST	0x0	rw	ADC3 reset 0: No effect 1: Reset
Bit 14	USART1RST	0x0	rw	USART1 reset 0: No effect 1: Reset

Bit 13	TMR8RST	0x0	rw	TMR8 reset 0: No effect 1: Reset
Bit 12	SPI1RST	0x0	rw	SPI1 reset 0: No effect 1: Reset
Bit 11	TMR1RST	0x0	rw	TMR1 reset 0: No effect 1: Reset
Bit 10	ADC2RST	0x0	rw	ADC2 reset 0: No effect 1: Reset
Bit 9	ADC1RST	0x0	rw	ADC1 reset 0: No effect 1: Reset
Bit 8: 7	Reserved	0x0	resd	Kept at its default value.
Bit 6	GPIORST	0x0	rw	GPIOE reset 0: No effect 1: Reset
Bit 5	GPIODRST	0x0	rw	GPIOD reset 0: No effect 1: Reset
Bit 4	GPIOCRST	0x0	rw	GPIOC reset 0: No effect 1: Reset
Bit 3	GPIOBRST	0x0	rw	GPIOB reset 0: No effect 1: Reset
Bit 2	GPIOARST	0x0	rw	GPIOA reset 0: No effect 1: Reset
Bit 1	EXINTRST	0x0	rw	EXINT reset 0: No effect 1: Reset Note: Always read as 0.
Bit 0	IOMUXRST	0x0	rw	IOMUX reset 0: No effect 1: Reset

4.3.5 APB1 peripheral reset register (CRM_APB1RST)

Bit	Name	Reset value	Type	Description
Bit 31:30	Reserved	0x0	resd	Kept at its default value.
Bit 29	DACRST	0x0	rw	DAC reset 0: No effect 1: Reset
Bit 28	PWCRST	0x0	rw	PWC reset 0: No effect 1: Reset
Bit 27	BPRRST	0x0	rw	Battery powered register reset 0: No effect 1: Reset
Bit 26	CAN2RST	0x0	rw	CAN2 reset 0: No effect 1: Reset
Bit 25	CAN1RST	0x0	rw	CAN1 reset 0: No effect 1: Reset
Bit 24	Reserved	0x0	resd	Kept at its default value.
Bit 23	USBRST	0x0	rw	USB reset 0: No effect 1: Reset
Bit 22	I2C2RST	0x0	rw	I2C2 reset 0: No effect 1: Reset
Bit 21	I2C1RST	0x0	rw	I2C1 reset 0: No effect 1: Reset
Bit 20	UART5RST	0x0	rw	UART5 reset 0: No effect 1: Reset
Bit 19	UART4RST	0x0	rw	UART4 reset 0: No effect 1: Reset
Bit 18	USART3RST	0x0	rw	USART3 reset 0: No effect 1: Reset
Bit 17	USART2RST	0x0	rw	USART2 reset 0: No effect 1: Reset
Bit 16	SPI4RST	0x0	rw	SPI4 reset 0: No effect 1: Reset
Bit 15	SPI3RST	0x0	rw	SPI3 reset 0: No effect 1: Reset
Bit 14	SPI2RST	0x0	rw	SPI2 reset 0: No effect 1: Reset
Bit 13: 12	Reserved	0x0	resd	Kept at its default value.
Bit 11	WWDTRST	0x0	rw	WWDT reset 0: No effect

				1: Reset
Bit 10: 9	Reserved	0x0	resd	Kept at its default value.
Bit 8	TMR14RST	0x0	rw	TMR14 reset 0: No effect 1: Reset
Bit 7	TMR13RST	0x0	rw	TMR13 reset 0: No effect 1: Reset
Bit 6	TMR12RST	0x0	rw	TMR12 reset 0: No effect 1: Reset
Bit 5	TMR7RST	0x0	rw	TMR7 reset 0: No effect 1: Reset
Bit 4	TMR6RST	0x0	rw	TMR6 reset 0: No effect 1: Reset
Bit 3	TMR5RST	0x0	rw	TMR5 reset 0: No effect 1: Reset
Bit 2	TMR4RST	0x0	rw	TMR4 reset 0: No effect 1: Reset
Bit 1	TMR3RST	0x0	rw	TMR3 reset 0: No effect 1: Reset
Bit 0	TMR2RST	0x0	rw	TMR2 reset 0: No effect 1: Reset

4.3.6 APB peripheral clock enable register (CRM_AHBEN)

Bit	Name	Reset value	Type	Description
Bit 31: 29	Reserved	0x0	resd	Kept at its default value.
Bit 28	EMACPTPEN	0x0	rw	Ethernet MAC PTP clock enable 0: Disabled 1: Enabled
Bit 27: 17	Reserved	0x0	resd	Kept at its default value.
Bit 16	EMACRXEN	0x0	rw	Ethernet MAC RX clock enable 0: Disabled 1: Enabled
Bit 15	EMACTXEN	0x0	rw	Ethernet MAC TX clock enable 0: Disabled 1: Enabled
Bit 14	EMACEN	0x0	rw	Ethernet MAC clock enable 0: Disabled 1: Enabled
Bit 13: 12	Reserved	0x0	resd	Kept at its default value.
Bit 11	SDIO2EN	0x0	rw	SDIO2 clock enable 0: Disabled 1: Enabled
Bit 10	SDIO1EN	0x0	rw	SDIO1 clock enable 0: Disabled 1: Enabled

Bit 9	Reserved	0x0	rw	Kept at its default value.
Bit 8	XMCEN	0x0	rw	XMC clock enable 0: Disabled 1: Enabled
Bit 7	Reserved	0x0	resd	Kept at its default value.
Bit 6	CRCEN	0x0	rw	CRC clock enable 0: Disabled 1: Enabled
Bit 5	Reserved	0x0	resd	Kept at its default value.
Bit 4	FLASHEN	0x1	rw	Flash clock enable This bit is used to enable Flash clock in Sleep or Deepsleep mode. 0: Disabled 1: Enabled
Bit 3	Reserved	0x0	resd	Kept at its default value.
Bit 2	SRAMEN	0x1	rw	SRAM clock enable This bit is used to enable SRAM clock in Sleep or Deepsleep mode. 0: Disabled 1: Enabled
Bit 1	DMA2EN	0x0	rw	DMA2 clock enable 0: Disabled 1: Enabled
Bit 0	DMA1EN	0x0	rw	DMA1 clock enable 0: Disabled 1: Enabled

4.3.7 APB2 peripheral clock enable register (CRM_AHB2EN)

Bit	Name	Reset value	Type	Description
Bit 31: 27	Reserved	0x00	resd	Kept at its default value.
Bit 26	UART8EN	0x0	rw	UART8 clock enable 0: Disabled 1: Enabled
Bit 25	UART7EN	0x0	rw	UART7 clock enable 0: Disabled 1: Enabled
Bit 24	USART6EN	0x0	rw	USART6 clock enable 0: Disabled 1: Enabled
Bit 23	I2C3EN	0x0	rw	I2C3 clock enable 0: Disabled 1: Enabled
Bit 22	ACCEN	0x0	rw	ACC clock enable 0: Disabled 1: Enabled
Bit 21	TMR11EN	0x0	rw	TMR11 clock enable 0: Disabled 1: Enabled
Bit 20	TMR10EN	0x0	rw	TMR10 clock enable 0: Disabled 1: Enabled
Bit 19	TMR9EN	0x0	rw	TMR9 clock enable 0: Disabled

				1: Enabled
Bit 18: 16	Reserved	0x0	resd	Kept at its default value.
				ADC3 clock enable
Bit 15	ADC3EN	0x0	rw	0: Disabled 1: Enabled
				USART1 clock enable
Bit 14	USART1EN	0x0	rw	0: Disabled 1: Enabled
				TMR8 clock enable
Bit 13	TMR8EN	0x0	rw	0: Disabled 1: Enabled
				SPI1 clock enable
Bit 12	SPI1EN	0x0	rw	0: Disabled 1: Enabled
				TMR1 clock enable
Bit 11	TMR1EN	0x0	rw	0: Disabled 1: Enabled
				ADC2 clock enable
Bit 10	ADC2EN	0x0	rw	0: Disabled 1: Enabled
				ADC 1 clock enable
Bit 9	ADC1EN	0x0	rw	0: Disabled 1: Enabled
Bit 8: 7	Reserved	0x0	rw	Kept at its default value.
				GPIOE clock enable
Bit 6	GPIOEEN	0x0	rw	0: Disabled 1: Enabled
				GPIOD clock enable
Bit 5	GPIODEN	0x0	rw	0: Disabled 1: Enabled
				GPIOC clock enable
Bit 4	GPIOCEN	0x0	rw	0: Disabled 1: Enabled
				GPIOB clock enable
Bit 3	GPIOBEN	0x0	rw	0: Disabled 1: Enabled
				GPIOA clock enable
Bit 2	GPIOAEN	0x0	rw	0: Disabled 1: Enabled
Bit 1	Reserved	0x0	rw	Keep at its default value.
				IOMUX clock enable
Bit 0	IOMUXEN	0x0	rw	0: Disabled 1: Enabled

4.3.8 APB1 peripheral clock enable register (CRM_AHB1EN)

Bit	Name	Reset value	Type	Description
Bit 31: 30	Reserved	0x0	resd	Kept at its default value.
				DAC clock enable
Bit 29	DACEN	0x0	rw	0: Disabled 1: Enabled
				Power control clock enable
Bit 28	PWCEN	0x0	rw	0: Disabled 1: Enabled
				BPR clock enable
Bit 27	BPREN	0x0	rw	0: Disabled 1: Enabled
				CAN2 clock enable
Bit 26	CAN2EN	0x0	rw	0: Disabled 1: Enabled
				CAN1 clock enable
Bit 25	CAN1EN	0x0	rw	0: Disabled 1: Enabled
Bit 24	Reserved	0x0	resd	Kept its default value.
				USB clock enable
Bit 23	USBEN	0x0	rw	0: Disabled 1: Enabled
				I2C2 clock enable
Bit 22	I2C2EN	0x0	rw	0: Disabled 1: Enabled
				I2C1 clock enable
Bit 21	I2C1EN	0x0	rw	0: Disabled 1: Enabled
				UART5 clock enable
Bit 20	UART5EN	0x0	rw	0: Disabled 1: Enabled
				UART4 clock enable
Bit 19	UART4EN	0x0	rw	0: Disabled 1: Enabled
				USART3 clock enable
Bit 18	USART3EN	0x0	rw	0: Disabled 1: Enabled
				USART2 clock enable
Bit 17	USART2EN	0x0	rw	0: Disabled 1: Enabled
				SPI4 clock enable
Bit 16	SPI4EN	0x0	rw	0: Disabled 1: Enabled
				SPI3 clock enable
Bit 15	SPI3EN	0x0	rw	0: Disabled 1: Enabled
				SPI2 clock enable
Bit 14	SPI2EN	0x0	rw	0: Disabled 1: Enabled
Bit 13: 12	Reserved	0x0	resd	Kept at its default value.
				WWDT clock enable
Bit 11	WWDTEN	0x0	rw	0: Disabled

				1: Enabled
Bit 10: 9	Reserved	0x0	resd	Kept its default value.
Bit 8	TMR14EN	0x0	rw	TMR14 clock enable 0: Disabled 1: Enabled.
Bit 7	TMR13EN	0x0	rw	TMR13 clock enable 0: Disabled 1: Enabled
Bit 6	TMR12EN	0x0	rw	TMR12 clock enable 0: Disabled 1: Enabled
Bit 5	TMR7EN	0x0	rw	TMR7 clock enable 0: Disabled 1: Enabled
Bit 4	TMR6EN	0x0	rw	TMR6 clock enable 0: Disabled 1: Enabled
Bit 3	TMR5EN	0x0	rw	TMR5 clock enable 0: Disabled 1: Enabled
Bit 2	TMR4EN	0x0	rw	TMR4 clock enable 0: Disabled 1: Enabled
Bit 1	TMR3EN	0x0	rw	TMR3 clock enable 0: Disabled 1: Enabled
Bit 0	TMR2EN	0x0	rw	TMR2 clock enable 0: Disabled 1: Enabled

4.3.9 Battery powered domain control register (CRM_BPDC)

Access: 0 to 3 wait states. Wait states are inserted in the case of consecutive accesses to this register. *Note: LEXTEN, LEXTBYP, RTCSEL, and RTCEN bits of the battery powered domain control register (CRM_BDC) are in the battery powered domain. As a result, these bits are write protected after reset, and can only be modified by setting the BPWEN bit in the power control register (PWR_CTRL). These bits could be reset only by battery powered domain reset. Any internal or external Reset does not affect these bits.*

Bit	Name	Reset value	Type	Description
Bit 31: 17	Reserved	0x0000	resd	Kept at its default value.
Bit 16	BPDRST	0x0	rw	Battery powered domain software reset 0: No effect 1: Reset
Bit 15	RTCEN	0x0	rw	RTC clock enable Set and cleared by software. 0: Disabled 1: Enabled
Bit 14: 10	Reserved	0x00	resd	Kept at its default value.
Bit 9: 8	RTCSEL	0x0	rw	RTC clock selection Once the RTC clock source is selected, it cannot be changed until the BPDRST bit is reset. 00: No clock 01: LEXT 10: LICK

				11: HEXT/128
Bit 7: 3	Reserved	0x00	resd	Kept at its default value.
Bit 2	LEXTBYP	0x0	rw	Low speed external crystal bypass 0: Disabled 1: Enabled
Bit 1	LEXTSTBL	0x0	ro	Low speed external oscillator stable Set by hardware after the LEXT is ready. 0: LEXT is not ready. 1: LEXT is ready.
Bit 0	LEXTEN	0x0	rw	External low-speed oscillator enable 0: Disabled 1: Enabled

4.3.10 Control/status register (CRM_CTRLSTS)

Reset flag can only be cleared by power reset, while others are cleared by system reset.

Access: 0 to 3 wait states. Wait states are inserted in the case of consecutive accesses to this register.

Bit	Name	Reset value	Type	Description
Bit 31	LPRSTF	0x0	ro	Low-power reset flag Set by hardware. Cleared by writing to the RSTFC bit. 0: No low-power reset occurs 1: Low-power reset occurs
Bit 30	WWDTRSTF	0x0	ro	Window watchdog timer reset flag Set by hardware. Cleared by writing to the RSTFC bit. 0: No window watchdog timer reset occurs 1: Window watchdog timer reset occurs
Bit 29	WDTRSTF	0x0	ro	Watchdog timer reset flag Set by hardware. Cleared by writing to the RSTFC bit. 0: No watchdog timer reset occurs 1: Watchdog timer reset occurs.
Bit 28	SWRSTF	0x0	ro	Software reset flag Set by hardware. Cleared by writing to the RSTFC bit. 0: No software reset occurs 1: Software reset occurs.
Bit 27	PORRSTF	0x1	ro	POR/LVR reset flag Set by hardware. Cleared by writing to the RSTFC bit. 0: No POR/LVR reset occurs 1: POR/LVR reset occurs.
Bit 26	NRSTF	0x1	rw	NRST pin reset flag Set by hardware. Cleared by writing to the RSTFC bit. 0: No NRST pin reset occurs 1: NRST pin reset occurs
Bit 25	Reserved	0x0	resd	Kept at its default value.
Bit 24	RSTFC	0x0	rw	Reset flag clear Cleared by writing 1 through software. 0: No effect 1: Clear the reset flag.
Bit 23: 2	Reserved	0x000000	resd	Kept at its default value.
Bit 1	LICKSTBL	0x0	ro	LICK stable 0: LICK is not ready. 1: LICK is ready.
Bit 0	LICKEN	0x0	rw	LICK enable 0: Disabled 1: Enabled

4.3.11 AHB peripheral reset register (CRM_AHBRST)

Bit	Name	Reset value	Type	Description
Bit 31: 15	Reserved	0x00000	resd	Kept at its default value.
Bit 14	EMACRST	0x0	rw	Ethernet MAC reset 0: No effect 1: Reset
Bit 13: 0	Reserved	0x0000	resd	Kept at its default value.

4.3.12 Additional register1 (CRM_MISC1)

Bit	Name	Reset value	Type	Description
Bit 31: 28	CLKOUTDIV	0x0	rw	Clock output division Set the frequency division of CLKOUT. 0xxx: Clock output 1000: Clock output divided by 2 1001: Clock output divided by 4 1010: Clock output divided by 8 1011: Clock output divided by 16 1100: Clock output divided by 64 1101: Clock output divided by 128 1110: Clock output divided by 256 1111: Clock output divided by 512
Bit 27: 26	Reserved	0x0	resd	Kept its default value.
Bit 25	HICKDIV	0x0	rw	HICK 6 divider selection This bit is used to select HICK or HICK /6. If the HICK/6 is selected, the clock frequency is 8 MHz. Otherwise, the clock frequency is 48 MHz. 0: HICK/6 1: HICK Note: 1. When the HICK is used as PLL clock source, the HICKDIV must not change during PLL enable. 2. In any case, HICK always input 4 MHz to PLL.
Bit 24	USBBUFS	0x0	rw	USB buffer size selection 0: USB buffer size is 512 byte 1: USB buffer size is 768~1280 byte.
Bit 23: 17	Reserved	0x00	resd	Kept at its default value.
Bit 16	CLKOUT_SEL[3]	0x0	rw	Clock output selection Used with CRM_CFG register bit 26: 24.
Bit 15: 8	Reserved	0x00	resd	Keep at its default value.
Bit 7: 0	HICKCAL_KEY	0x00	rw	HICK calibration key The HICKCAL [7:0] can be written only when this field is set 0x5A.

4.3.13 Additional register2 (CRM_MISC2)

Bit	Name	Reset value	Type	Description
Bit 31: 17	Reserved	0x0000	resd	Kept at its default value.
Bit 16	CLK_TO_TMR	0x0	rw	CLKOUT internally connected to timer 10 channel 1 0: Not connected 1: Connected
Bit 15: 0	Reserved	0x0000	resd	Kept its default value.

4.3.14 Additional register3 (CRM_MISC3)

Bit	Name	Reset value	Type	Description
Bit 31: 16	Reserved	0x0000	resd	Kept at its default value.
Bit 15	EMAC_PPS_SEL	0x0	rw	Ethernet pulse width select 0: Pulse width is 125 ms. 1: Pulse width is 1 system clock.
Bit 14	Reserved	0x0	resd	Kept at its default value.
Bit 13: 12	HEXTDIV	0x0	rw	HEXT division 00: HEXT clock is divided by 2. 01: HEXT clock is divided by 3. 10: HEXT clock is divided by 4. 11: HEXT clock is divided by 5. Note: The division control bit should be configured only after the HEXT clock is ready. Otherwise, it will be ignored.
Bit 11: 10	Reserved	0x0	resd	Kept at its default value.
Bit 9	HICK_TO_SCLK	0x0	rw	HICK as system clock frequency select When the HICK is selected as the clock source SCLKSEL, the frequency of SCLK is: 0: Fixed 8 MHz, that is, HICK/6 1: 48 MHz or 8 MHz, depending on the HICKDIV
Bit 8	HICK_TO_USB	0x0	rw	USB 48 MHz clock source select 0: PLL or PLL division 1: HICK or HICK/6 Note: Since USB must work at 48 MHz, HICKDIV=1 must be guaranteed to ensure that the HICK 48 MHz is selected as the clock source of USB 48 MHz.
Bit 7: 6	Reserved	0x0	resd	Kept its default value.
Bit 5: 4	AUTO_STEP_EN	0x0	rw	Auto step-by-step system clock switch enable When the system clock source is switched from others to the PLL or when the AHB prescaler is changed from large to small (system frequency is from small to large), it is recommended to enable the auto step-by-step system clock switch if the operational target is larger than 108 MHz. Once it is enabled, the AHB bus is halted by hardware till the completion of the switch. During this switch period, the DMA remain working, and the interrupt events are recorded and then handled by NVIC when the AHB bus resumes. 00: Disabled 01: Reserved 10: Reserved 11: Enabled. When AHBDIV or SCLKSEL is modified, the auto step-by-step system clock switch is activated automatically.
Bit 3: 0	Reserved	0xd	resd	It is fixed to 0xd. Do not change.

4.3.15 Interrupt map register (CRM_INTMAP)

Bit	Name	Reset value	Type	Description
Bit 31: 1	Reserved	0x0000 0000	resd	Kept at its default value.
Bit 0	USBINTMAP	0x0	rw	USBFS interrupt remap 0: USBFS uses the 19 th USBFS_H and the 20 th USBFS_L interrupt 1: USBDEV uses the 73 rd USBFS_MAPH and the 74 th USBFS_MAPL interrupt.

5 Flash memory controller (FLASH)

5.1 Flash memory introduction

Flash memory is divided into four parts: main Flash memory, external memory, information block and Flash memory registers.

- Main Flash memory is up to 1024 KB, including bank 1 and bank 2.
- External memory is up to 16 MB
- Information block consists of 16 KB boot loader and the user system data area. The boot loader uses USART1, USART2 or USB (DFU) serial interface for ISP programming.

Main Flash memory (1024 KB) is divided into bank 1 and bank 2, including 512 KB/256 sectors each bank, and 2 K per sector.

External memory size is up to 16 MB, including 4096 sectors, 4 K per sector.

Table 5-1 Flash memory architecture(1024 K)

Block		Name	Address range
Main Flash memory	Bank 1 512 KB	Sector 0	0x0800 0000 – 0x0800 07FF
		Sector 1	0x0800 0800 – 0x0800 0FFF
		Sector 2	0x0800 1000 – 0x0800 17FF
	
		Sector 255	0x0807 F800 – 0x0807 FFFF
		Sector 256	0x0808 0000 – 0x0808 07FF
	Bank 2 512 KB	Sector 257	0x0808 0800 – 0x0808 0FFF
		Sector 258	0x0808 1000 – 0x0808 17FF
	
		Sector 511	0x080F F800 – 0x080F FFFF
		Sector 0	0x0840 0000 – 0x0840 0FFF
External memory	16 MB	Sector 1	0x0840 1000 – 0x0840 1FFF
		Sector 2	0x0840 2000 – 0x0840 2FFF
	
		Sector 4095	0x093F F000 – 0x093F FFFF
		16 KB boot memory	0x1FFF B000 – 0x1FFF EFFF
Information block	48 B user system data area	0x1FFF F800 – 0x1FFF F82F	

Main Flash memory (512 KB) has only bank 1, including 256 sectors, 2 K per sector.

External memory size is up to 16 MB, including 4096 sectors, 4 K per sector.

Table 5-2 Flash memory architecture(512 K)

Block		Name	Address range
Main Flash memory	Bank 1 512 KB	Sector 0	0x0800 0000 – 0x0800 07FF
		Sector 1	0x0800 0800 – 0x0800 0FFF
		Sector 2	0x0800 1000 – 0x0800 17FF
	
		Sector 255	0x0807 F800 – 0x0807 FFFF
		Sector 0	0x0840 0000 – 0x0840 0FFF
External memory	16 MB	Sector 1	0x0840 1000 – 0x0840 1FFF
		Sector 2	0x0840 2000 – 0x0840 2FFF
	
		Sector 4095	0x093F F000 – 0x093F FFFF
		16 KB boot memory	0x1FFF B000 – 0x1FFF EFFF
Information block	48 B user system data area	0x1FFF F800 – 0x1FFF F82F	

Main Flash memory (256 KB) has only bank 1, including 128 sectors, 2 K per sector.
 External memory size is up to 16 MB, including 4096 sectors, 4 K per sector.

Table 5-3 Flash memory architecture(256 K)

Block	Name	Address range	
Main Flash memory	Bank 1 256 KB	Sector 0	0x0800 0000 – 0x0800 07FF
		Sector 1	0x0800 0800 – 0x0800 0FFF
		Sector 2	0x0800 1000 – 0x0800 17FF
	
		Sector 127	0x0803 F800 – 0x0803 FFFF
External memory	16 MB	Sector 0	0x0840 0000 – 0x0840 0FFF
		Sector 1	0x0840 1000 – 0x0840 1FFF
		Sector 2	0x0840 2000 – 0x0840 2FFF
	
		Sector 4095	0x093F F000 – 0x093F FFFF
Information block	16 KB boot memory	0x1FFF B000 – 0x1FFF EFFF	
	48 B user system data area	0x1FFF F800 – 0x1FFF F82F	

External memory

External Flash memory controls the external SPI Flash through SPIM transmission interface. It supports ciphertext protection. User can decide whether or not to encrypt the data by setting the EXT_FLASH_KEYx bit of the user system data area, and can control the range to be encrypted with the FLASH_DA register.

AHB clock (HCLK), used as a reference clock of SPIM, provides HCLK/2 clock for external SPIM via SPIM interface.

SPIM=External SPI Flash memory expansion (program execution/data store/program and data encrypted)

Note: SPIM has to be accessed by word or half-word.

Figure 5-1 External memory ciphertext protection

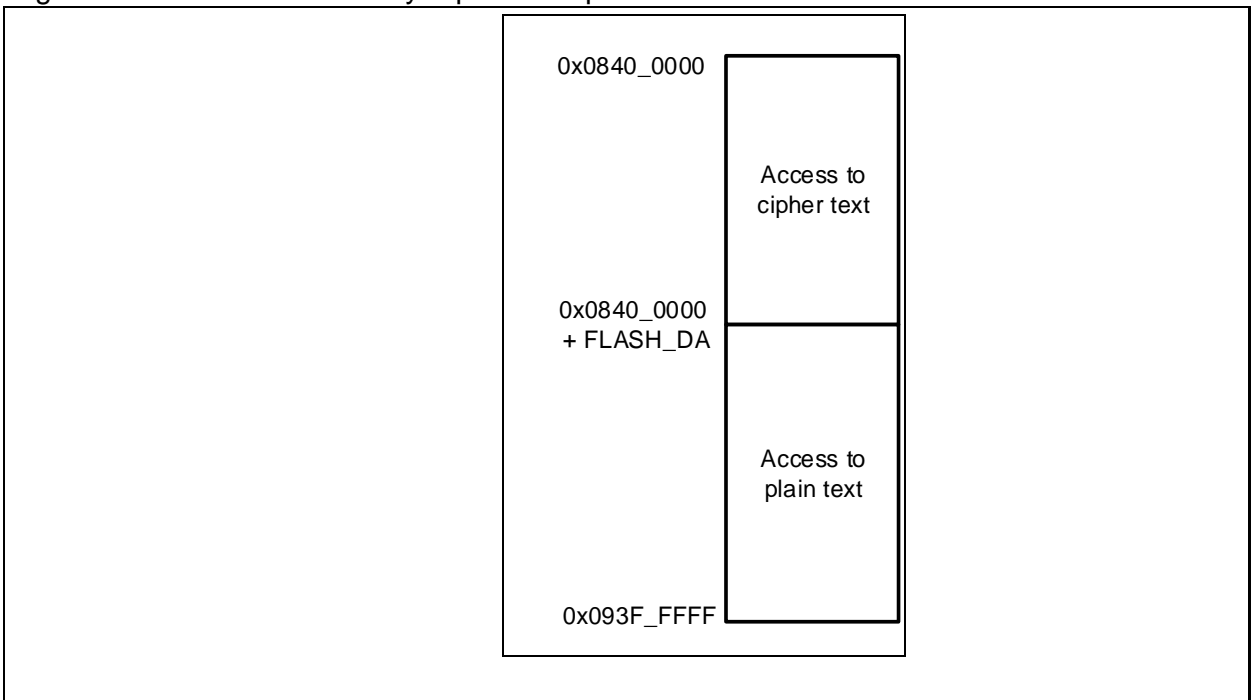


Figure 5-2 Reference circuit for external memory

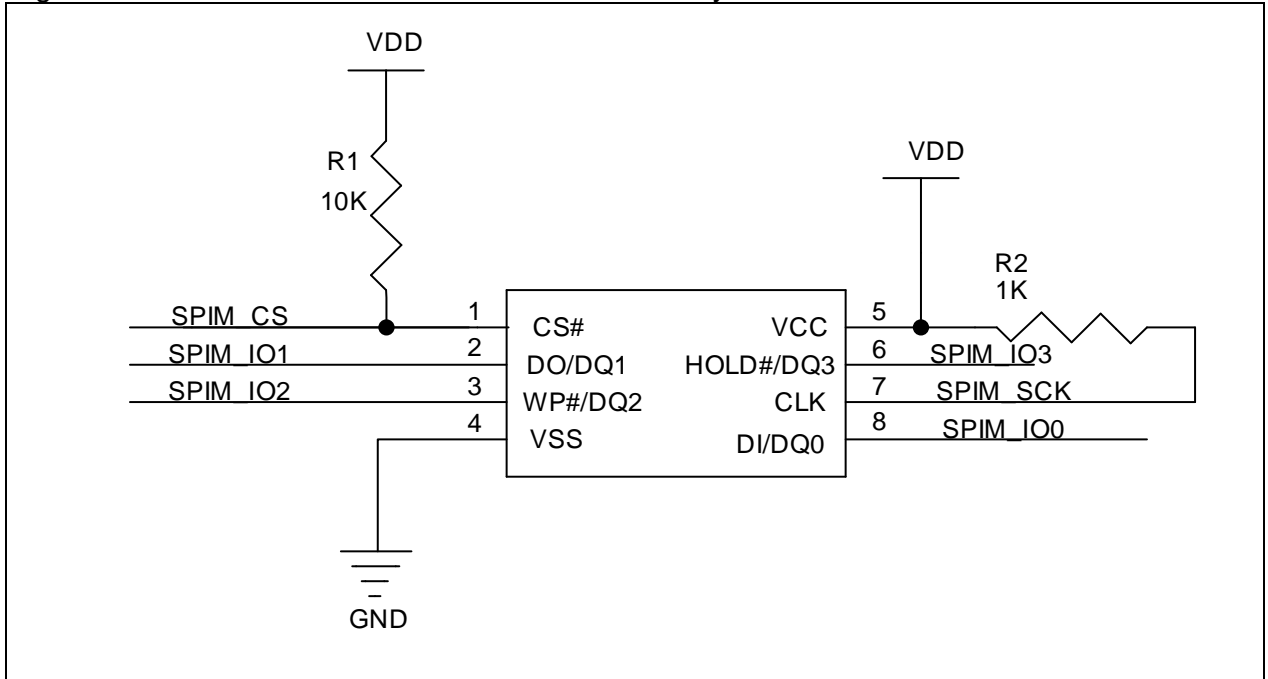


Table 5-4 Instruction set supported by external memory

Instruction	Code	FLASH_SELECT register config.	Description
Write Enable	0x06	0x1/0x2	Both 0x1 and 0x2 Flash must support 0x06 instruction
Quad Page Program	0x32	0x1/0x2	Both 0x1 and 0x2 Flash must support 0x32 instruction
Sector Erase	0x20	0x1/0x2	Both 0x1 and 0x2 Flash must support 0x20 instruction
Chip Erase	0xC7	0x1/0x2	Both 0x1 and 0x2 Flash must support 0xC7 instruction
Read Status Register	0x05	0x1/0x2	Both 0x1 and 0x2 Flash must support 0x05 instruction
Quad I/O Read	0xEB	0x1/0x2	Both 0x1 and 0x2 Flash must support 0xEB instruction 24-bit Addr + 6x Dummy cycle
Volatile status Register write enable	0x50	0x1	When 0x1 Flash is selected, the hardware sends a command automatically to configure the Quad Enable bit of the Flash Status Register 0x1 Flash memory must support: 0x50 and 0x01 or 0x50 and 0x31
Write Status Register-1	0x01		
Write Status Register-2	0x31		

Note:

1. If it is mandatory to set the QE to 1 in the Status Register before executing 0x32 and 0xEB, then 0x1 Flash is selected by setting the FLASH_SELECT register to 0x1.
2. If it is not required to set the QE bit before executing 0x32 and 0xEB, then 0x2 Flash is selected by setting the FLASH_SELECT register to 0x2.

For example,

If FLASH_SELECT register is set to 0x1:

D25Q127C, GD25Q64C, GD25Q32C, GD25Q16C, GD25Q80C and W25Q128V Flash memory are supported.

If FLASH_SELECT register is set as 0x2: EN25F20A and EN25QH128A Flash memory are supported.

User system data area

The system data will be read from the information block of Flash memory whenever a system reset occurs, and is saved in the user system data register (FLASH_USD) and erase programming protection status register (FLASH_EPPS).

Each system data occupies two bytes, where the low bytes corresponds to the contents in the system data area, and the high bytes represent the inverse code that is used to verify the correctness of the selected bit. When the high byte is not equal to the inverse code of the low byte (except when both high and low byte are all 0xFF), the system data loader will issue a system data error flag (USDERR) and the

corresponding system data and their inverse codes are forced 0xFF.

Note: The update of the contents in the user system data area becomes effective only after a system reset.

Table 5-5 User system data area

Address	Bit	Description	
0x1FFF_F800	[7: 0]	FAP[7: 0]: Flash memory access protection (Access protection enable/disable result is stored in the FLASH_USD[1] register) 0xA5: Disabled Others: Enabled	
	[15: 8]	nFAP[7: 0]: Inverse code of FAP[7: 0]	
	[23: 16]	SSB[7: 0]: System configuration byte (it is stored in the FLASH_USD[9: 2] register)	
		Bit 7: 4	Reserved
		Bit 3 (BTOPT)	0: When booting from main Flash memory, if there is no boot loader in the bank 2, it will start from bank 1, otherwise, bank 2. 1: When booting from main Flash memory, it starts from bank 1.
		Bit 2 (nSTDBY_RST)	0: Reset occurs when entering Standby mode 1: No reset occurs when entering Standby mode
		Bit 1 (nDEPSLP_RST)	0: Reset occurs when entering DeepSleep mode 1: No reset occurs when entering DeepSleep mode
Bit 0 (nWDT_ATO_EN)	0: Watchdog is enabled 1: Watchdog is disabled		
[31: 24]	nSSB[7: 0]: Inverse code of SSB[7: 0]		
0x1FFF_F804	[7: 0]	Data0[7: 0]: User data 0 (It is stored in the FLASH_USD[17:10] register)	
	[15: 8]	nData0[7: 0]: Inverse code of Data0[7: 0]	
	[23: 16]	Data1[7: 0]: User data 1 (It is stored in the FLASH_USD[25: 18] register)	
	[31: 24]	nData1[7: 0]: Inverse code of Data1[7: 0]	
0x1FFF_F808	[7: 0]	EPP0[7: 0]: Flash erase/write protection byte 0 (in the FLASH_EPPS[7: 0]) This field is used to protect sector 0 ~ 15 of main Flash memory. Each bit takes care of two sectors (2 KB/sector) 0: Erase/write protection is enabled 1: Erase/write protection is disabled	
	[15: 8]	nEPP0[7: 0]: Inverse code of EPP0[7: 0]	
	[23: 16]	EPP1[7: 0]: Flash erase/write protection byte 1 (stored in the FLASH_EPPS[15: 8]) This field is used to protect sector 16~ 31 of main Flash memory. Each bit takes care of two sectors (2 KB/sector) 0: Erase/write protection is enabled 1: Erase/write protection is disabled	
[31: 24]	nEPP1[7: 0]: Inverse code of EPP1[7: 0]		
0x1FFF_F80C	[7: 0]	EPP2[7: 0]: Flash erase/write protection byte 2 (stored in the FLASH_EPPS[23: 16]) This field is used to protect sector 32~ 47 of main Flash memory. Each bit takes care of two sectors (2 KB/sector) 0: Erase/write protection is enabled 1: Erase/write protection is disabled	
	[15: 8]	Inverse code of nEPP2[7: 0]: EPP2[7: 0]	
	[23: 16]	EPP3[7: 0]: Flash erase/write protection byte 3 (stored in the FLASH_EPPS[31: 24]) Bit 6:0 is used to protect sector 48~ 61 of main Flash memory. Each bit takes care of two sectors (2 KB/sector) Bit 7 is used to protect sector 62 and beyond, as well as external memory. 0: Erase/write protection is enabled 1: Erase/write protection is disabled	
	[31: 24]	nEPP3[7: 0]: Inverse code of EPP3[7: 0]	
0x1FFF_F810	[7: 0]	EOPB0[7: 0]: Extended system options Bit 7: 1: Reserved Bit 0: 0: 224 KB of on-chip SRAM 1: 96 KB of on-chip SRAM <i>Note: Switching from 1 to 0 is valid only when the security library is disabled.</i>	
	[15: 8]	nEOPB0[7: 0]: Inverse code of EOPB0[7: 0]	
	[31: 16]	Reserved	

0x1FFF_F814	[7: 0]	Data2[7: 0]: User data 2
	[15: 8]	nData2[7: 0]: Inverse code of Data2[7: 0]
	[23: 16]	Data3[7: 0]: User data 3
	[31: 24]	nData3[7: 0]: Inverse code of Data3[7: 0]
0x1FFF_F818	[7: 0]	Data4[7: 0]: User data 4
	[15: 8]	nData4[7: 0]: Inverse code of Data4[7: 0]
	[23: 16]	Data5[7: 0]: User data 5
	[31: 24]	nData5[7: 0]: Inverse code of Data5[7: 0]
0x1FFF_F81C	[7: 0]	Data6[7: 0]: User data 6
	[15: 8]	nData6[7: 0]: Inverse code of Data6[7: 0]
	[23: 16]	Data7[7: 0]: User data 7
	[31: 24]	nData7[7: 0]: Inverse code of Data7[7: 0]
0x1FFF_F820	[7: 0]	EXT_FLASH_KEY0[7: 0]: External memory ciphertext access area encryption key byte 0 The situations for non-encryption includes: Both EXT_FLASH_KEYx and nEXT_FLASH_KEYx are 0xFF (namely default erase status) Write 0x00 to EXT_FLASH_KEYx Write 0xFF to EXT_FLASH_KEYx That is, {nEXT_FLASH_KEYx, EXT_FLASH_KEYx } are all 0xFFFF, 0xFF00 and 0x00FF.
	[15: 8]	nEXT_FLASH_KEY0[7: 0]: Inverse code of EXT_FLASH_KEY0[7: 0]
	[23: 16]	EXT_FLASH_KEY1[7: 0]: External memory ciphertext encryption key byte 1
	[31: 24]	nEXT_FLASH_KEY1[7: 0]: Inverse code of EXT_FLASH_KEY1[7: 0]
0x1FFF_F824	[7: 0]	EXT_FLASH_KEY2[7: 0]: External memory ciphertext encryption key byte 2
	[15: 8]	nEXT_FLASH_KEY2[7: 0]: Inverse code of EXT_FLASH_KEY2[7: 0]
	[23: 16]	EXT_FLASH_KEY3[7: 0]: External memory ciphertext encryption key byte 3
	[31: 24]	nEXT_FLASH_KEY3[7: 0]: Inverse code of EXT_FLASH_KEY3[7: 0]
0x1FFF_F828	[7: 0]	EXT_FLASH_KEY4[7: 0]: External memory ciphertext encryption key byte 4
	[15: 8]	nEXT_FLASH_KEY4[7: 0]: Inverse code of EXT_FLASH_KEY4[7: 0]
	[23: 16]	EXT_FLASH_KEY5[7: 0]: External memory ciphertext encryption key byte 5
	[31: 24]	nEXT_FLASH_KEY5[7: 0]: Inverse code of EXT_FLASH_KEY5[7: 0]
0x1FFF_F82C	[7: 0]	EXT_FLASH_KEY6[7: 0]: External memory ciphertext encryption key byte 6
	[15: 8]	nEXT_FLASH_KEY6[7: 0]: Inverse code of EXT_FLASH_KEY6[7: 0]
	[23: 16]	EXT_FLASH_KEY7[7: 0]: External memory ciphertext encryption key byte 7
	[31: 24]	nEXT_FLASH_KEY7[7: 0]: Inverse code of EXT_FLASH_KEY7[7: 0]

5.2 Flash memory operation

5.2.1 Unlock/lock

After reset, Flash memory is protected, by default. FLASH_CTRLx cannot be written. Write and erase operation can be performed only when the Flash memory is unlocked.

Unlock procedure:

Flash memory block can be unlocked by writing KEY1 (0x45670123) and KEY2 (0xCDEF89AB) to the FLASH_UNLOCKx register.

Note: Writing incorrect key sequence leads to a bus error and the Flash memory is also locked until the next reset.

Lock procedure:

Flash memory block can be locked by setting the OPLK bit in the FLASH_CTRLx register.

5.2.2 Erase operation

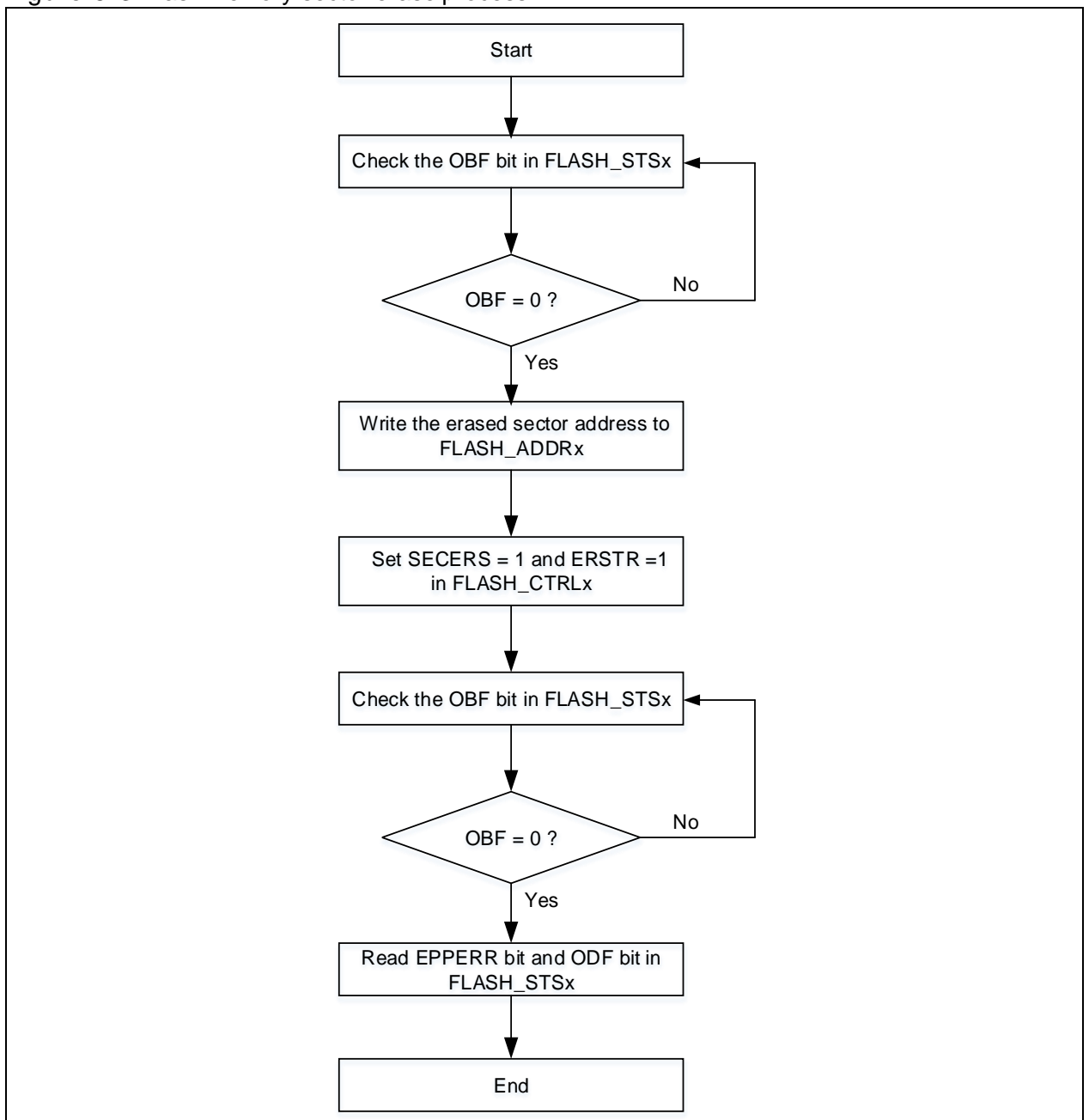
Erase operation must be done before programming. Flash memory erase includes mass erase and sector erase.

Sector erase

Any sector in the Flash memory can be erased with sector erase function. Below should be followed during erase:

- Check the OBF bit in the FLASH_STSx register to confirm that there is no other programming operation in progress;
- Write the sectors to be erased in the FLASH_ADDRx register
- Set the SECERS and ERSTR bit in the FLASH_CTRLx register to enable sector erase
- Wait until the OBF bit becomes “0” in the FLASH_STSx register. Read the EPPERR bit and ODF bit in the FLASH_STSx register to verify erase results.

Figure 5-3 Flash memory sector erase process



Bank erase

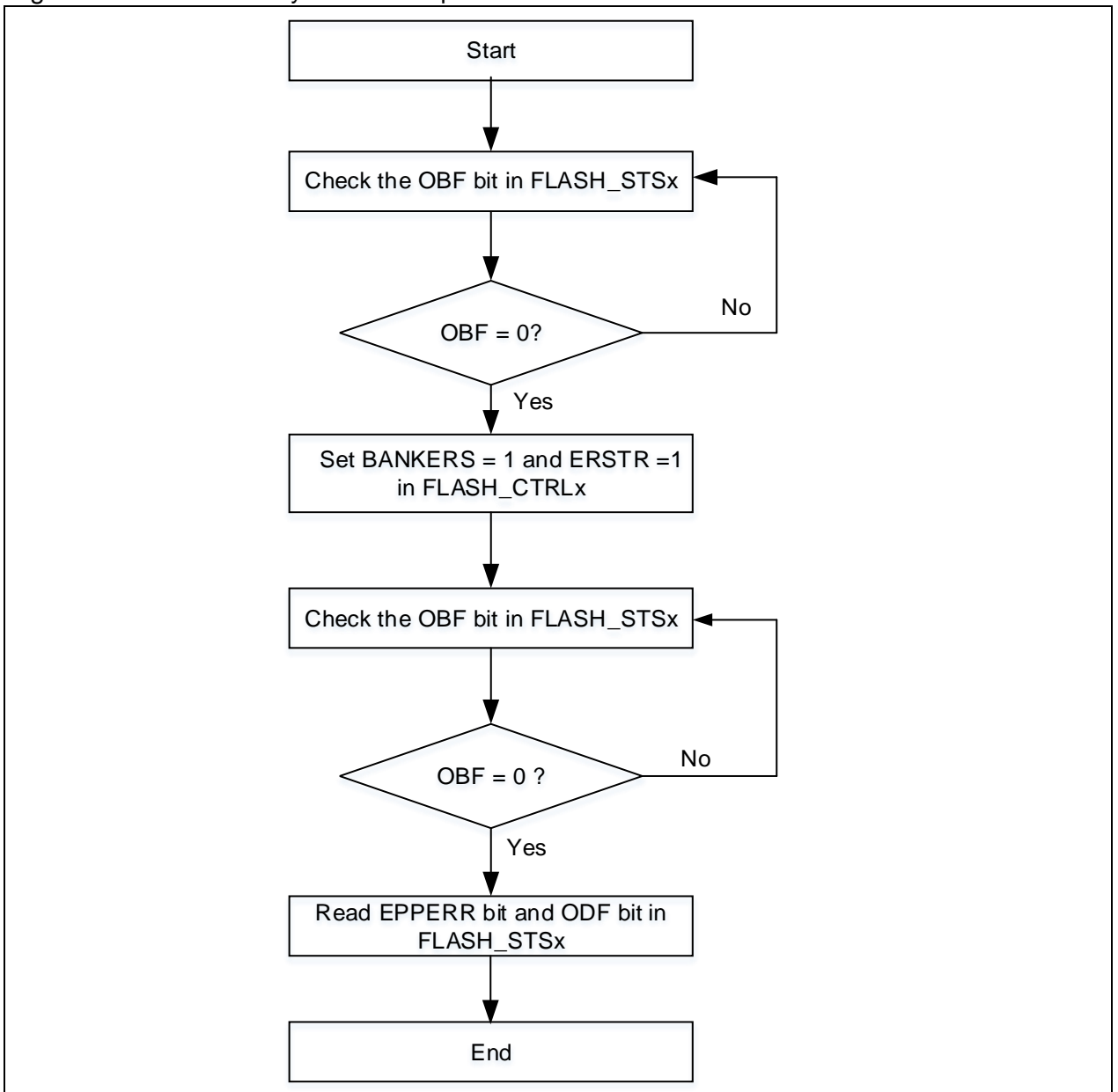
Bank erase function can erase the whole Flash memory.

The following process is recommended:

- Check the OBF bit in the FLASH_STSx register to confirm that there is no other programming operation in progress;
- Set the BANKERS and ERSTR bit in the FLASH_CTRLx register to enable bank erase;
- Wait until the OBF bit becomes “0” in the FLASH_STSx register. Read the EPPERR bit and ODF bit in the FLASH_STSx register to verify erase results.

Note: Read operation to the Flash memory during erase will halt CPU until the completion of erase.

Figure 5-4 Flash memory bank erase process



5.2.3 Programming operation

The Flash memory can be programmed with 32 bits, 16 bits or 8 bits at a time.

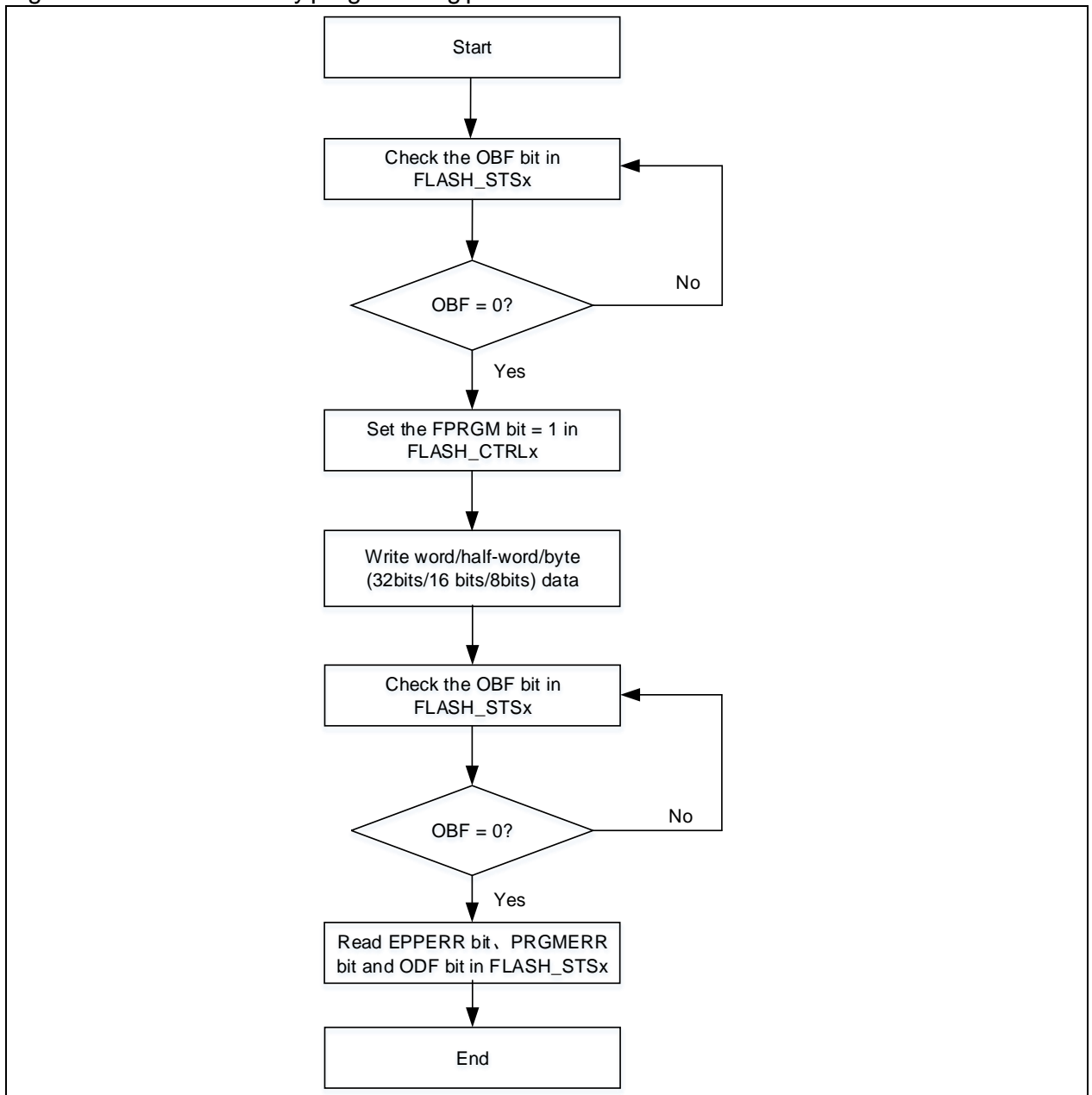
The following process is recommended:

- Check the OBF bit in the FLASH_STSx register to confirm that there is no other programming operation in progress;
- Set the FPRGM bit in the FLASH_CTRLx register, so that the Flash memory programming instructions can be received;
- Write the data (word/half-word/byte) to be programmed to the designated address;
- Wait until the OBF bit in the FLASH_STSx register becomes “0”, read the EPPERR, PRGMERR and ODF bit to verify the programming result.

Note: 1. When the address to be written is not erased in advance, the programming operation is not executed unless the data to be written is all 0. In this case, a programming error is reported by the PRGMERR bit in the FLASH_STSx register.

2. Read operation to the Flash memory during programming will halt CPU until the completion of programming.

Figure 5-5 Flash memory programming process



5.2.4 Read operation

Flash memory can be accessed through AHB bus of the CPU.

5.3 External memory operation

External memory has the same operation method as that of Flash memory, including read, unlock, erase and programming except that the external memory only supports 32-bit and 16-bit operations, rather than 8 bits.

5.4 User system data area operation

5.4.1 Unlock/lock

After reset, user system data area is protected, by default. Write and erase operations can be performed only after the Flash memory is unlocked before the unlock operation for the user system data area.

Unlock procedure:

Flash memory block can be unlocked by writing KEY1 (0x45670123) and KEY2 (0xCDEF89AB) to the FLASH_UNLOCK register;

When KEY1 (0x45670123) and KEY2 (0xCDEF89AB) is written to the FLASH_USD_UNLOCK register, the USDULKS bit in the FLASH_CTRL register will be automatically set by hardware, indicating that it supports write/erase operation to the user system data area.

Note: Writing an incorrect key sequence leads to bus error and the Flash memory is also locked until the next reset.

Lock procedure:

User system data area is locked by clearing the USDULKS bit in the FLASH_CTRL register by software.

5.4.2 Erase operation

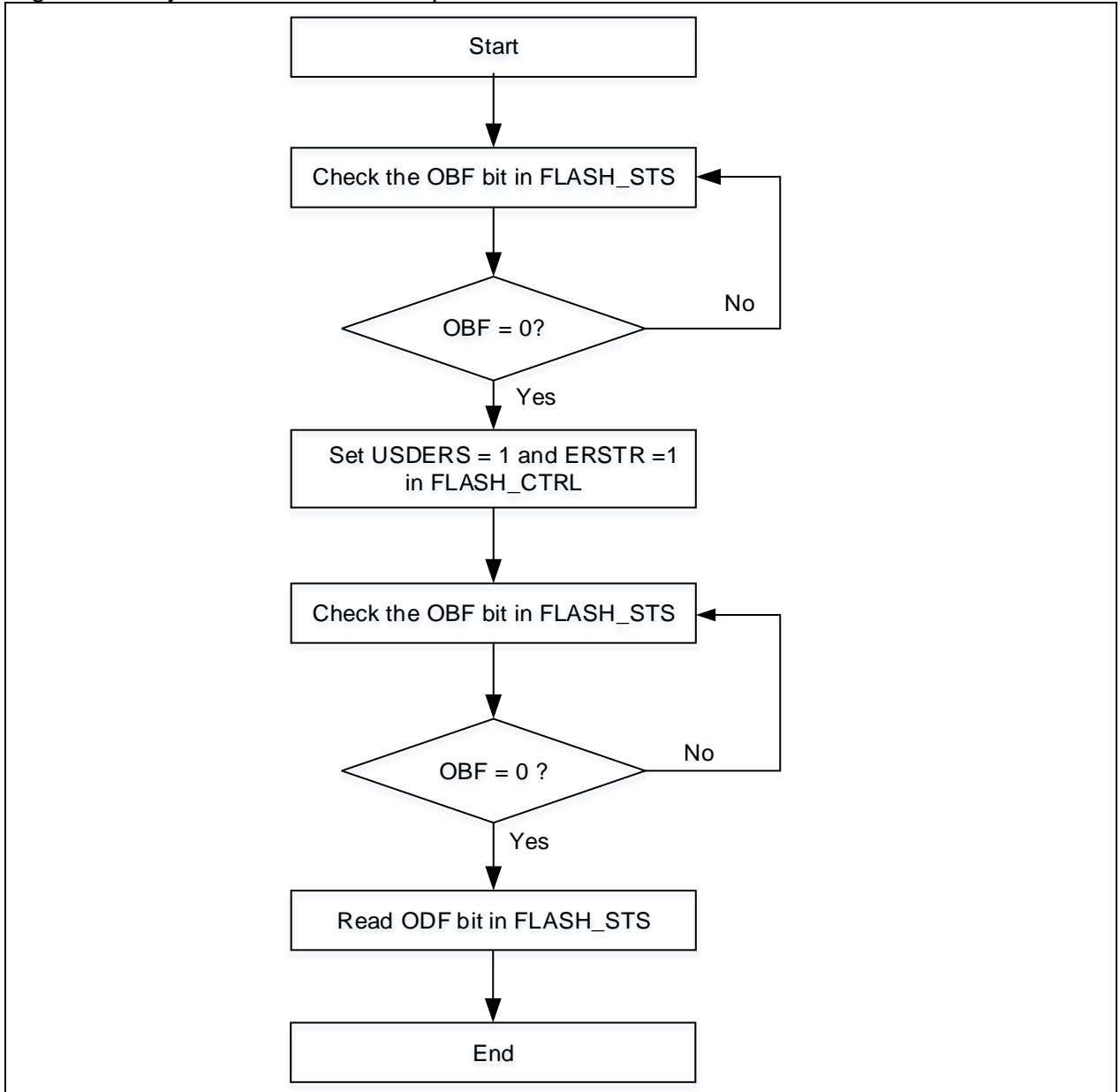
Erase operation must be done before programming. User system data area can perform erase operation independently.

Below should be followed during erase:

- Check the OBF bit in the FLASH_STS register to confirm that there is no other programming operation in progress;
- Set the USDERS and ERSTR bit in the FLASH_CTRL register to enable erase operation;
- Wait until the OBF bit becomes "0" in the FLASH_STS register. Read the ODF bit in the FLASH_STSx register to verify erase results.

Note: Read operation to the Flash memory during programming will halt CPU until the completion of erase.

Figure 5-6 System data area erase process



5.4.3 Programming operation

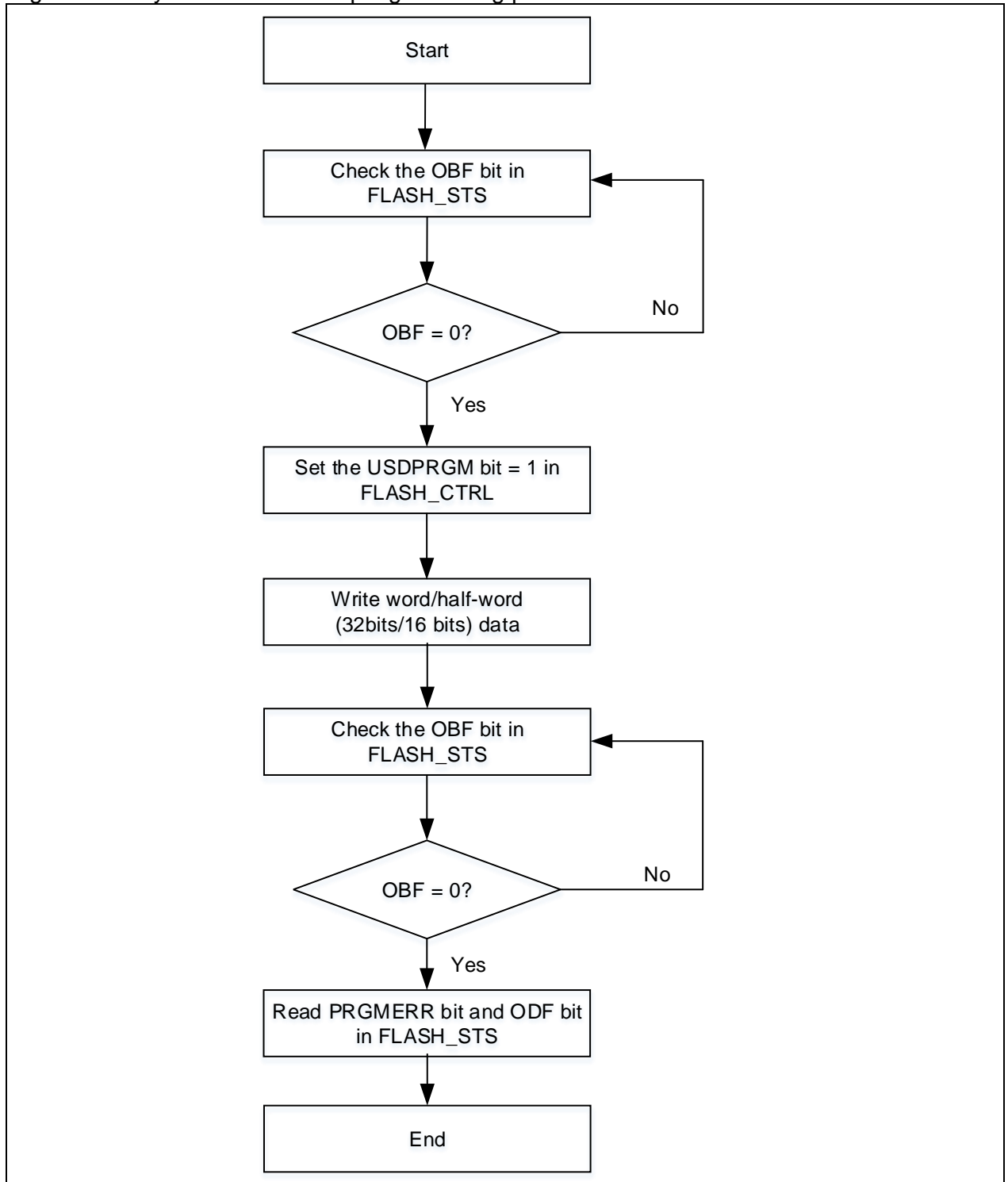
The User system data area can be programmed with 16 bits at a time.

The following process is recommended:

- Check the OBF bit in the FLASH_STS register to confirm that there is no other programming operation in progress;
- Set the USDPRGM bit in the FLASH_CTRL register, so that the programming instructions for the user system data area can be received;
- Write the data (half-word) to be programmed to the designated address;
- Wait until the OBF bit in the FLASH_STS register becomes “0”, read the PRGMERR and ODF bit to verify the programming result.

Note: Read operation to the Flash memory during programming will halt CPU until the completion of programming.

Figure 5-7 System data area programming process



5.4.4 Read operation

User system data area can be accessed through AHB bus of the CPU.

5.5 Flash memory protection

Flash memory includes access and erase/program protection.

5.5.1 Access protection

When the contents in the nFAP and FAP byte are different from 0x5A and 0xA5, the Flash memory will activate access protection after a system reset. In this case, only the Flash program is allowed to read Flash memory data. This read operation is not permitted in debug mode or by booting from non-Flash memory.

When the Flash access is protected, the user can re-erase the system data area, and unlock Flash access protection (switching from protected to unprotected state will trigger mass erase on the Flash memory automatically) by writing 0xA5 to FAP byte, and then perform a system reset. Subsequently, the system data loader will be reloaded with system data and updated with Flash memory access protection disable state (FAP byte)

Note: If the access protection bit is set in debug mode, then the debug mode has to be cleared by POR instead of system reset in order to resume access to Flash memory data.

Table 5-6 shows Flash memory access limits when Flash access protection is enabled.

Table 5-6 Flash memory access limit

Block	Access limits					
	In debug mode or boot from SRAM and boot loader			Boot from main Flash memory		
	Read	Write	Erase	Read	Write	Erase
Main Flash memory	Not allowed		Not allowed (1) (2)	Accessible		
External memory	Not allowed		Not allowed (2)	Accessible		
User system data area	Not allowed	Accessible		Accessible		

(1) Main Flash memory is cleared automatically by hardware only when the access protection is disabled;

(2) Only sector erase is forbidden. Bank 1 and bank 2 and external memory erase are not affected.

5.5.2 Erase/program protection

If Flash memory is 256K and above, the erase/program protection is based on two-sector level.

This is used to protect the contents in the Flash memory against inadvertent operation when the program crash occurs.

Erase/program operation is not permitted under one of the following events, and the EPPER bit is set accordingly:

- The sectors with erase/program protection enabled (main Flash memory and external memory)
- Bank1, bank2 and external memory with erase/program protection enabled
- When the Flash access protection is enabled, sector 0 and sector 1 in the main Flash memory will be protected against erase/program automatically,
- Once the Flash access protection is enabled, the main Flash memory is protected against erase/program when it is in debug mode or when it is started from non-main Flash memory.

5.6 Special functions

5.6.1 Security library settings

Security library is a defined area protected by a code in the main memory. This area is only executable but cannot be read (Except for I-Code and D-code buses), written, or deleted, unless a correct code is keyed in. Security library includes instruction security library and data security library; users can select part of or the whole security library for instruction storage, but using the whole security library for storing data is not supported.

Advantages of security library:

Security library is protected by codes so that solution providers can program core algorithm into this area;

Security library cannot be read or deleted (including ISP/IAP/SWD) but only executed unless code defined by the solution provider is keyed in;

The rest of the area can be used for secondary development by solution providers;

Solution providers can sell core algorithm with security library function and do not have to develop full solutions for every customer.

Security library helps prevent from deliberate damage or changing terminal application codes.

Note: Security library can only be located in the main Flash memory;

Security library code must be programmed by sector, with its start address aligned with the main memory address;

Interrupt vector table will be placed on the first sector of Flash memory (sector 0), which should not be configured as security library;

Program codes to be protected by the security library should not be placed on the first sector of Flash memory;

Only I-Code bus is allowed to read instruction security library;

Only D-Code bus is allowed to read data security library;

When writing or deleting security library code, a warning message will be issued by WRPRTFLR=1 in the FLASH_STS register;

Executing mass erase in the main memory will not erase the security library.

By default, security library setting register is unreadable and write protected. To enable write access to this register, security library should be unlocked first, write 0xA35F6D24 to the SLIB_UNLOCK register, and check the SLIB_ULKF bit in the SLIB_MISC_STS register to verify if it is unlocked successfully. Then write a value into the security library setting register.

Optional CRC check for security library code is based on a sector level.

The steps to enable security library are as follows:

- Check the OBF bit in the FLASH_STS register to ensure that there is no other ongoing programming operation;
- Write 0xA35F6D24 to the SLIB_KEYR register to unlock security library.
- Check the SLIB_ULKF bit of SLIB_MISC_STS register to verify that it is unlocked successfully.
- Set the area to be protected in the SLIB_SET_RANGE register, including the addresses of instruction area and data area.
- Wait until the OBF bit becomes "0";
- Set security library password in the SLIB_SET_PSW register;
- Wait until the OBF bit becomes "0";
- Program the code to be saved in security library;
- Perform system reset, and then reload security library setting word;
- Read the SLIB_STS0/STS1 register to verify the security library setting.

Note: Security library should be enabled when the Flash access protection is not activated.

Steps to unlock security library:

- Write the previously set security library password to the SLIB_PWD_CLR register.
- Wait until the OBF bit becomes "0";
- Perform system reset, and then reload security library setting word;
- Read the SLIB_STS0 register to check the security library setting.

Note: Disabling the security library will automatically erase a bank of the main memory and security library setting block.

5.7 Flash memory registers

Table 5-7 lists Flash register map and their reset values.

These peripheral registers must be accessed by words (32 bits).

Table 5-7 Flash memory interface—Register map and reset value

Register	Offset	Reset value
FLASH_PSR	0x00	0x0000 0030
FLASH_UNLOCK	0x04	0xFFFF XXXX
FLASH_USD_UNLOCK	0x08	0xFFFF XXXX
FLASH_STS	0x0C	0x0000 0000
FLASH_CTRL	0x10	0x0000 0080
FLASH_ADDR	0x14	0x0000 0000
FLASH_USD	0x1C	0x03FF FFFC
FLASH_EPPS	0x20	0xFFFF FFFF
FLASH_UNLOCK2	0x44	0xFFFF XXXX
FLASH_STS2	0x4C	0x0000 0000
FLASH_CTRL2	0x50	0x0000 0080
FLASH_ADDR2	0x54	0x0000 0000
FLASH_UNLOCK3	0x84	0xFFFF XXXX
FLASH_SELECT	0x88	0x0000 0000
FLASH_STS3	0x8C	0x0000 0000
FLASH_CTRL3	0x90	0x0000 0080
FLASH_ADDR3	0x94	0x0000 0000
FLASH_DA	0x98	0x0000 0000
SLIB_STS0	0xCC	0x0000 0000
SLIB_STS1	0xD0	0x0000 0000
SLIB_PWD_CLR	0xD4	0x0000 0000
SLIB_MISC_STS	0xD8	0x0100 0000
SLIB_SET_PWD	0xDC	0x0000 0000
SLIB_SET_RANGE	0xE0	0x0000 0000
SLIB_UNLOCK	0xF0	0x0000 0000
FLASH_CRC_CTRL	0xF4	0x0000 0000
FLASH_CRC_CHKR	0xF8	0x0000 0000

5.7.1 Flash performance select register (FLASH_PSR)

Bit	Abbr.	Reset value	Type	Description
Bit 31:0	Reserved	0x0000 0030	resd	Kept at its default value.

5.7.2 Flash unlock register (FLASH_UNLOCK)

Only used in Flash memory bank 1.

Bit	Abbr.	Reset value	Type	Description
Bit 31:0	UKVAL	0xFFFF XXXX	wo	Unlock key value This is used to unlock Flash memorybank 1.

Note: All these bits are write-only, and return 0 when being read.

5.7.3 Flash user system data unlock register (FLASH_USD_UNLOCK)

Bit	Abbr.	Reset value	Type	Description
Bit 31:0	USD_UKVAL	0xFFFF XXXX	wo	User system data Unlock key value

Note: All these bits are write-only, and return 0 when being read.

5.7.4 Flash status register (FLASH_STS)

Only used in Flash memory bank 1.

Bit	Abbr.	Reset value	Type	Description
Bit 31:6	Reserved	0x0000000	resd	Kept at its default value
Bit 5	ODF	0x0	rw	Operation done flag This bit is set by hardware when Flash memory operations (program/erase) is completed. It is cleared by writing "1".
Bit 4	EPPERR	0x0	rw	Erase/program protection error This bit is set by hardware when programming the erase/program-protected Flash memory address. It is cleared by writing "1".
Bit 3	Reserved	0x0	resd	Kept at its default value.
Bit 2	PRGMERR	0x0	rw	Programming error When the programming address is not "0xFFFF", this bit is set by hardware. It is cleared by writing "1".
Bit 1	Reserved	0x0	resd	Kept at its default value.
Bit 0	OBF	0x0	ro	Operation busy flag When this bit is set, it indicates that Flash memory operation is in process. It is cleared when operation is completed.

5.7.5 Flash control register (FLASH_CTRL)

Only used in Flash memory bank 1.

Bit	Register	Reset value	Type	Description
Bit 31:13	Reserved	0x00000	resd	Kept at its default value
Bit 12	ODFIE	0x0	rw	Operation done flag interrupt enable 0: Interrupt is disabled; 1: Interrupt is enabled.
Bit 11,8,3	Reserved	0x0	resd	Kept its default value
Bit 10	ERRIE	0x0	rw	Error interrupt enable This bit enables EPPERR or PROGERR interrupt. 0: Interrupt is disabled; 1: Interrupt is enabled.
Bit 9	USDULKS	0x0	rw	User system data unlock success This bit is set by hardware when the user system data is unlocked properly, indicating that erase/program operation to the user system data is allowed. This bit is cleared by writing "0", which will re-lock the user system data area.
Bit 7	OPLK	0x1	rw	Operation lock This bit is set by default, indicating that Flash memory is protected against operations. This bit is cleared by hardware after unlock, indicating that erase/program operation to Flash memory is allowed. Writing "1" can re-lock Flash memory operations.
Bit 6	ERSTR	0x0	rw	Erase start An erase operation is triggered when this bit is set. This bit is cleared by hardware after the completion of the erase operation.

Bit 5	USDERS	0x0	rw	User system data erase It indicates the user system data erase.
Bit 4	USDPRGM	0x0	rw	User system data program It indicates the user system data program.
Bit 2	BANKERS	0x0	rw	Bank erase It indicates bank erase operation.
Bit 1	SECERS	0x0	rw	Sector erase It indicates sector erase operation.
Bit 0	FPRGM	0x0	rw	Flash program It indicates Flash program operation.

5.7.6 Flash address register (FLASH_ADDR)

Only used in Flash memory bank 1.

Bit	Register	Reset value	Type	Description
Bit 31:0	FA	0x0000 0000	wo	Flash address Select the address of sectors to be erased in sector erase operation.

5.7.7 User system data register (FLASH_USD)

Bit	Register	Reset value	Type	Description
Bit 31: 26	Reserved	0x00	resd	Kept at its default value
Bit 25: 18	USER_D1	0xFF	ro	User data 1
Bit 17: 10	USER_D0	0xFF	ro	User data 0
Bit 9: 2	SSB	0xFF	ro	System setting byte Includes the system setting bytes in the loaded user system data area Bit [9: 6]: Unused Bit 5: BTOPT Bit 4: nSTDBY_RST Bit 3: nDEPSLP_RST Bit 2: nWDT_ATO_EN
Bit 1	FAP	0x0	ro	Flash access protection Access to Flash memory is not allowed when this bit is set.
Bit 0	USDERR	0x0	ro	User system data error When this bit is set, it indicates that certain byte does not match its inverse code in the user system data area. At this point, this byte and its inverse code will be forced to 0xFF when being read.

5.7.8 Erase/program protection status register (FLASH_EPPS)

Bit	Register	Reset value	Type	Description
Bit 31:0	EPPS	0xFFFF FFFF	ro	Erase/Program protection status This register reflects the erase/program protection byte status in the loaded user system data.

5.7.9 Flash unlock register2 (FLASH_UNLOCK2)

Only used in Flash memory bank 2.

Bit	Register	Reset value	Type	Description
Bit 31:0	UKVAL	0xFFFF XXXX	wo	Unlock key value This register is used to unlock Flash memory bank 2.

Note: All these bits are write-only, and return 0 when being read.

5.7.10 Flash status register2 (FLASH_STS2)

Only used in Flash memory bank 2.

Bit	Register	Reset value	Type	Description
Bit 31: 6	Reserved	0x0000000	resd	Kept at its default value
Bit 5	ODF	0x0	rw	Operation done flag This bit is set by hardware when Flash memory operations (program/erase) is completed. It is cleared by writing "1".
Bit 4	EPPERR	0x0	rw	Erase/Program protection error This bit is set by hardware when programming the erase/program- protected Flash memory address. It is cleared by writing "1"
Bit 3	Reserved	0x0	resd	Kept at its default value
Bit 2	PRGMERR	0x0	rw	Program error When the programming address is not "0xFFFF", this bit is set by hardware. It is cleared by writing "1"
Bit 1	Reserved	0x0	resd	Kept at its default value
Bit 0	OBF	0x0	ro	Operation busy flag When this bit is set, it indicates that Flash memory operation is in process. It is cleared when operation is completed.

5.7.11 Flash control register2 (FLASH_CTRL2)

Only used in Flash memory bank 2.

Bit	Register	Reset value	Type	Description
Bit 31: 13	Reserved	0x00000	resd	Kept at its default value
Bit 12	ODFIE	0x0	rw	Operation done flag interruptenable 0: Interrupt is disabled; 1: Interrupt is enabled.
Bit 11	Reserved	0x0	resd	Keep its default value
Bit 10	ERRIE	0x0	rw	Error interruptenable This bit enables EPPERR or PROGERR interrupt. 0: Interrupt is disabled; 1: Interrupt is enabled.
Bit 9,8	Reserved	0x0	resd	Keep at its default value
Bit 7	OPLK	0x1	rw	Operation lock This bit is set by default, indicating that Flash memory is protected against operations. This bit is cleared by hardware after unlock, indicating that erase/program operation to Flash memory is allowed. Writing "1" can re-lock Flash memory operations.
Bit 6	ERSTR	0x0	rw	Erase start An erase operation is triggered when this bit is set. This bit is cleared by hardware after the completion of the erase operation.
Bit 5,4,3	Reserved	0x0	resd	Kept at its default value
Bit 2	BANKERS	0x0	rw	Bank erase It indicates bank erase operation.
Bit 1	SECERS	0x0	rw	Sector erase It indicates sector erase operation.
Bit 0	FPRGM	0x0	rw	Flash program It indicates Flash program operation.

5.7.12 Flash address register2 (FLASH_ADDR2)

Only used in Flash memory bank 2.

Bit	Register	Reset value	Type	Description
Bit 31:0	FA	0x0000 0000	wo	Flash address Select the address of sectors to be erased in sector erase operation.

5.7.13 Flash unlock register3 (FLASH_UNLOCK3)

Only used in external memory.

Bit	Register	Reset value	Type	Description
Bit 31:0	UKVAL	0xXXXX XXXX	wo	Unlock key value This register is used to unlock SPIM.

5.7.14 Flash select register (FLASH_SELECT)

Only used in external memory.

Bit	Register	Reset value	Type	Description
Bit 31:0	SELECT	0x0000 0000	wo	SPIM supports extended SPI Flash chip selection 0x0001: Refer to Table 5-4 0x0002: Refer to Table 5-4 Others: Reserved.

5.7.15 Flash status register3 (FLASH_STS3)

Only used in external memory.

Bit	Register	Reset value	Type	Description
Bit 31:6	Reserved	0x0000000	resd	Kept at its default value
Bit 5	ODF	0x0	rw	Operation done flag This bit is set by hardware when Flash memory operations (program/erase) is completed. It is cleared by writing "1".
Bit 4	EPPERR	0x0	rw	Erase/Program protection error This bit is set by hardware when programming the erase/program-protected Flash memory address. It is cleared by writing "1"
Bit 3	Reserved	0x0	resd	Kept at its default value
Bit 2	PRGMERR	0x0	rw	Programming error When the programming address is not "0xFFFF", this bit is set by hardware. It is cleared by writing "1"
Bit 1	Reserved	0x0	resd	Kept at its default value
Bit 0	OBF	0x0	ro	Operation busy flag When this bit is set, it indicates that Flash memory operation is in process. It is cleared when operation is completed.

5.7.16 Flash control register3 (FLASH_CTRL3)

Only used in external memory.

Bit	Register	Reset value	Type	Description
Bit 31:13	Reserved	0x00000	resd	Kept at its default value
Bit 12	ODFIE	0x0	rw	Operation done flag interrupt enable 0: Interrupt is disabled; 1: Interrupt is enabled.
Bit 11	Reserved	0x0	resd	Kept at its default value
Bit 10	ERRIE	0x0	rw	Error interrupt enable 0: Interrupt is disabled;

				1: Interrupt is enabled.
Bit 9,8	Reserved	0x0	resd	Kept at its default value
				Operation lock
Bit 7	OPLK	0x1	rw	This bit is set by default, indicating that Flash memory is protected against operations. This bit is cleared by hardware after unlock, indicating that erase/program operation to Flash memory is allowed. Writing "1" can re-lock Flash memory operations.
				Erase start
Bit 6	ERSTR	0x0	rw	An erase operation is triggered when this bit is set. This bit is cleared by hardware after the completion of the erase operation.
Bit 5,4,3	Reserved	0x0	resd	Kept at its default value
				Mass erase
Bit 2	CHPERS	0x0	rw	Perform mass erase on the external memory.
				Sector erase
Bit 1	SECERS	0x0	rw	It indicates sector erase operation.
				Flash program
Bit 0	FPRGM	0x0	rw	It indicates Flash program operation.

5.7.17 Flash address register3 (FLASH_ADDR3)

Only used in external memory.

Bit	Register	Reset value	Type	Description
Bit 31:0	FA	0x0000 0000	wo	Flash address Select the address of sectors to be erased in external memory.

5.7.18 Flash decryption address register (FLASH_DA)

Only used in external memory.

Bit	Register	Reset value	Type	Description
Bit 31:0	FDA	0x0000 0000	wo	Flash decryption address Set the encryption range of external memory through FLASH_DA register in the user program. 0x0840_0000 ~ (0x0840_0000+FDA-0x1): the cipher text of external memory (0x0840_0000 +FDA) ~ 0x093F FFFF: the plain text of external memory Note: The setting value of FDA must be a multiple of 4, aligned by word.

5.7.19 Flash security library status register (SLIB_STS0)

Only used in Flash security library.

Bit	Register	Reset value	Type	Description
Bit 31:4	Reserved	0x00000000	resd	Kept at its default value
				SLIB_ENF: sLib enable flag
Bit 3	SLIB_ENF	0x0	ro	When this bit is set, it indicates that the main Flash memory is partially or completely (depending on the setting of SLIB_STS1) used as security library code.
Bit 2:0	Reserved	0x0	resd	Kept at its default value

5.7.20 Flash security library status register1 (SLIB_STS1)

Only used in Flash security library.

Bit	Register	Reset value	Type	Description
Bit 31: 22	SLIB_ES	0x000	ro	Security library end sector
				0: Sector 0
				1: Sector 1
				2: Sector 2
				...
				511: Sector 511
Bit 21: 11	SLIB_DAT_SS	0x000	ro	Security library data start sector
				0: Invalid sector
				1: Sector 1
				2: Sector 2
				...
				511: Sector 511
				0x7FF: No security library data area
Bit 10: 0	SLIB_SS	0x000	ro	Security library start sector
				0: Sector 0
				1: Sector 1
				2: Sector 2
				...
				511: Sector 511

5.7.21 Flash security library password clear register (SLIB_PWD_CLR)

Only used in Flash security library.

Bit	Register	Reset value	Type	Description
Bit 31:0	SLIB_PCLR_VAL	0x0000 0000	wo	Security library password clear value
				Entering correct security library password will unlock security library functions.
				The write status of this register is reflected in the bit 0 and bit 1 in the SLIB_MISC_STS register.

5.7.22 Security library additional status register (SLIB_MISC_STS)

Only used in Flash security library.

Bit	Register	Reset value	Type	Description
Bit 31:25	Reserved	0x00	resd	Kept at its default value
Bit 24: 16	SLIB_RCNT	0x100	ro	Security library remaining count It is decremented from 256 to 0.
Bit 15: 3	Reserved	0x0000	resd	Kept at its default value
Bit 2	SLIB_ULKF	0x0	ro	Security library unlock flag When this bit is set, it indicates that sLib-related setting registers can be configured.
Bit 1	SLIB_PWD_OK	0x0	ro	Security library password ok This bit is set by hardware when the password is correct.
Bit 0	SLIB_PWD_ERR	0x0	ro	Security library password error
				This bit is set by hardware when the password is incorrect and the setting value of the password clear register is different from 0xFFFF FFFF.
				Note: When this bit is set, the hardware will no longer agree to re-program the password clear register until the next reset.

5.7.23 Security library password setting register (SLIB_SET_PWD)

Only used for Flash security library password setting.

Bit	Register	Reset value	Type	Description
Bit 31:0	SLIB_PSET_VAL	0x0000 0000	wo	Security library password setting value Note: This register can be written only after unlocking security library lock. It is used to set up the startup password of security library. Values of 0xFFFF_FFFF and 0x0000_0000 are invalid.

5.7.24 Security library address setting register (SLIB_SET_RANGE)

Only used for Flash security library address setting.

Bit	Register	Reset value	Type	Description
Bit 31:22	SLIB_ES_SET	0x000	wo	Security library end sector setting These bits are used to set the security library end sector. 0: Sector 0 1: Sector 1 2: Sector 2 ... 511: Sector 511
Bit 21:11	SLIB_DSS_SET	0x000	wo	Security library data start sector setting These bits are used to set the security library start sector. 0: Invalid sector. Setting it will cause security library to fail to start. 1: Sector 1 2: Sector 2 ... 511: Sector 511 0x7FF: No security library data area.
Bit 10:0	SLIB_SS_SET	0x000	wo	Security library start sector setting These bits are used to set the security library start sector. 0: Sector 0 1: Sector 1 2: Sector 2 ... 511: Sector 511

Note: All these bits are write-only, and return 0 when being read.

This register can be written only after unlocking security library lock.

5.7.25 Security library unlock register (SLIB_UNLOCK)

Only used for Flash security library unlock setting.

Bit	Register	Reset value	Type	Description
Bit 31:0	SLIB_UKVAL	0x0000 0000	wo	Security library unlock key value Fixed key value is 0xA35F_6D24, used for security library setting register unlock

Note: All these bits are write-only, and return 0 when being read.

5.7.26 Flash CRC check control register (FLASH_CRC_CTRL)

Only used in main Flash memory.

Bit	Register	Reset value	Type	Description
				CRC start
Bit 31	CRC_STRT	0x0	wo	Set this bit to enable user code or security library code CRC calibration. This bit is cleared automatically after the hardware enables CRC.
Bit 30: 24	Reserved	0x00	wo	Kept at its default value
				CRC calibration sector number
Bit 23: 12	CRC_SN	0x000	wo	Set the number of the CRC calibration, in terms of sectors.
				CRC calibration start sector
				Set the start sector for this CRC calibration.
Bit 11: 0	CRC_SS	0x000	wo	0x0: Sector 0 0x1: Sector 1 ...

Note: All these bits are write-only. Reading them has no effect.

5.7.27 Flash CRC check result register (FLASH_CRC_CHKR)

Only used in Flash or security library.

Bit	Register	Reset value	Type	Description
Bit 31: 0	CRC_CHKR	0x0000 0000	ro	CRC check result

Note: All these bits are write-only. Reading them has no effect.

6 General-purpose I/Os (GPIOs)

6.1 Introduction

AT32F403A/407 support up to 80 bidirectional I/O pins, which are grouped as five categories, namely PA, PB, PC, PD and PE. Each of the GPIO group provides up to 16 I/O pins that feature communication, control and data collection. In addition, their main features also include:

- Supports general-purpose I/O (GPIO) or multiplexed function I/O (IOMUX), which will be detailed in this chapter and the subsequent sections
- Each pin can be configured by software as floating input, pull-up/pull-down input, analog input/output, push-pull/open-drain output, multiplexed push-pull/open-drain output
- Each pin's output drive capability is configurable by software
- Each pin can be configured as external interrupt input
- Each pin can be locked

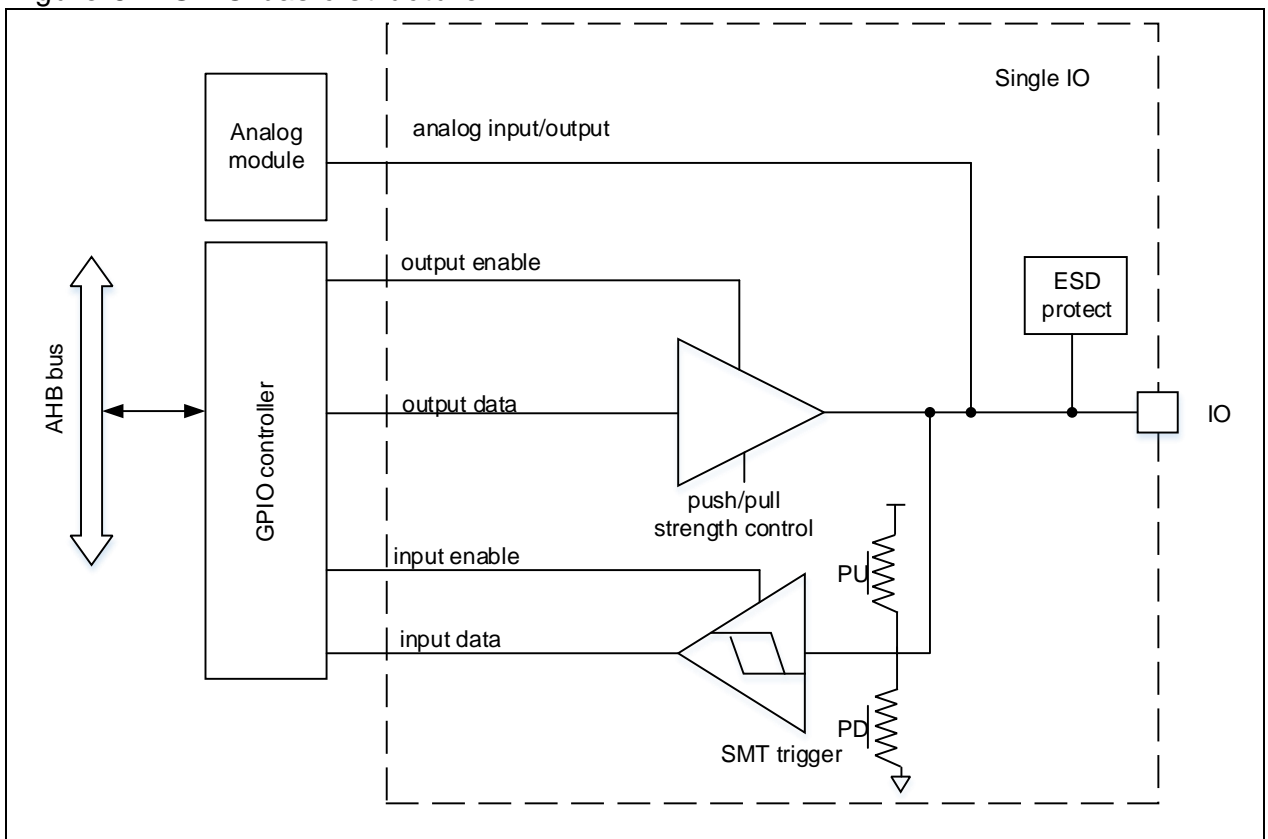
6.2 Function overview

6.2.1 GPIO structure

Each of the GPIO pins can be configured by software as four input modes (floating, pull-up/pull-down and analog input) and four output modes (open-drain, push-pull, alternate function push-pull/open-drain output)

Each I/O port bit can be programmed flexibly. However, I/O port registers must be accessed by 32-bit words (half-word/byte access is not supported).

Figure 6-1 GPIO basic structure



6.2.2 GPIO reset status

After power-on or system reset, all pins are configured as floating input mode except JTAG-related pins. JTAG pin configuration are as follows:

- PA15/JTDI, PA13/JTMS and PB4/JNTRST in pull-up input mode;
- PA14/JTCK in pull-down input mode;
- PB3/TDO in floating input mode.

6.2.3 General-purpose input configuration

Mode	IOFC	HDRV	IOMC[1]	IOMC[0]	ODT register
Floating input	01		000		Unused
Pull-down input	10				0
Pull-up input					1

When I/O port is configured as input:

- Get I/O states by reading input data register.
- Floating input, pull-up/pull-down input is configurable
- Schmitt-trigger input is activated.
- Output is disabled.

Note: In floating input mode, it is recommended to set the unused pins as analog input mode in order to avoid leakage caused by interference from unused pins in a complex environment.

6.2.4 Analog input/output configuration

Mode	IOFC	HDRV	IOMC[1]	IOMC[0]	ODT register
Analog input/output	00		000		Unused

When I/O port is configured as analog input:

- Schmitt-trigger input is disabled.
- Digital input/output is disabled.
- Without any pull-up/pull-down resistor.

6.2.5 General-purpose output configuration

Mode	IOFC	HDRV	IOMC[1]	IOMC[0]	ODT register
Push-Pull	00	000/100: Input mode			0 or 1
		001: Output mode, large sourcing/sinking strength			
		010: Output mode, normal sourcing/sinking strength			
		011: Output mode, normal sourcing/sinking strength			
Open-Drain	01	1xx: Output mode, Maximum sourcing/sinking strength			0 or 1

When I/O port is configured as output:

- Schmitt-trigger input is enabled.
- Output through output register.
- Pull-up/pull-down resistors are disabled.
- In open-drain mode, forced output 0, use pull-up resistor to output 1.
- In push-pull mode, output register is used to output 0/1.
- When CONF=10 or 11, it is used as a multiplexed output, refer to IOMUX for more details.

6.2.6 I/O port protection

Locking mechanism can freeze the I/O configuration for the purpose of protection. When LOCK is applied to a port bit, its configuration cannot be modified until the next reset or power on.

6.3 GPIO registers

Table 6-1 lists GPIO register map and their reset values. These peripheral registers must be accessed by words (32 bits).

Table 6-1 GPIO register map and reset values

Register	Offset	Reset value
GPIOx_CFGLR	0x00	0x4444 4444
GPIOx_CFGHR	0x04	0x4444 4444
GPIOx_IDT	0x08	0x0000 XXXX
GPIOx_ODT	0x0C	0x0000 0000
GPIOx_SCR	0x10	0x0000 0000
GPIOx_CLR	0x14	0x0000 0000
GPIOx_WPR	0x18	0x0000 0000
GPIOx_SRCTR	0x20	0x0000 0000
GPIOx_HDRV	0x3C	0x0000 0000

6.3.1 GPIO configuration register low (GPIOx_CFGLR) (x=A..E)

Bit	Register	Reset value	Type	Description
Bit 31: 30 Bit 27: 26 Bit 23: 22 Bit 19: 18 Bit 15: 14 Bit 11: 10 Bit 7: 6 Bit 3: 2	IOPCy	0x1	rw	GPIOx function configuration (y=0~7) In input mode (IOMCy[1: 0]=00): 00: Analog mode 01: Floating input (reset state) 10: Pull-up/pull-down input 11: Reserved In output mode (IOMCy[1: 0]≠00): 00: General-purpose push-pull output 01: General-purpose open-drain output 10: Alternate function push-pull output 11: Alternate function open-drain output
Bit 29: 28 Bit 25: 24 Bit 21: 20 Bit 17: 16 Bit 13: 12 Bit 9: 8 Bit 5: 4 Bit 1: 0	IOMCy	0x0	rw	GPIOx mode configuration (y=0~7) 00: Input mode (reset state) 01: Output mode, large sourcing/sinking strength 10: Output mode, normal sourcing/sinking strength 11: Output mode, normal sourcing/sinking strength

Note: Some port registers have different reset values. For example, some PA pins are JTAG/SWD with pull-up input by default.

6.3.2 GPIO configuration register high (GPIOx_CFGHR) (A..E)

Bit	Register	Reset value	Type	Description
Bit 31: 30 Bit 27: 26 Bit 23: 22 Bit 19: 18 Bit 15: 14 Bit 11: 10 Bit 7: 6 Bit 3: 2	IOfCy	0x1	rw	GPIOx function configuration (y=8~15) In input mode (IOMCy[1: 0]=00): 00: Analog mode 01: Floating input (reset state) 10: Pull-up/pull-down input 11: Reserved In output mode (IOMCy[1: 0]!=00): 00: General-purpose push-pull output 01: General-purpose open-drain output 10: Alternate function push-pull output 11: Alternate function open-drain output
Bit 29: 28 Bit 25: 24 Bit 21: 20 Bit 17: 16 Bit 13: 12 Bit 9: 8 Bit 5: 4 Bit 1: 0	IOMCy	0x0	rw	GPIOx mode configuration (y=8~15) 00: Input mode (reset state) 01: Output mode, large sourcing/sinking strength 10: Output mode, normal sourcing/sinking strength 11: Output mode, normal sourcing/sinking strength

Note: Some port registers have different reset values. For example, some PB pins are JTAG/SWD with pull-up input by default.

6.3.3 GPIO input data register (GPIOx_IDT) (x=A..E)

Bit	Register	Reset value	Type	Description
Bit 31: 16	Reserved	0x0000	resd	Kept at its default value.
Bit 15: 0	IDT	0xFFFF	ro	GPIOx input data Indicates the input status of I/O port. Each bit corresponds to an I/O.

6.3.4 GPIO output data register (GPIOx_ODT) (x=A..E)

Bit	Register	Reset value	Type	Description
Bit 31: 16	Reserved	0x0000	resd	Kept at its default value.
Bit 15: 0	ODT	0x0000	rw	GPIOx output data Each bit represents an I/O port. As output: it indicates the output status of I/O port. 0: Low 1: High As input: it indicates the pull-up/pull-down status of I/O port. 0: Pull-down 1: Pull-up

6.3.5 GPIO set/clear register (GPIOx_SCR) (x=A..E)

Bit	Register	Reset value	Type	Description
Bit 31: 16	IOCB	0x0000	wo	GPIOx clear bit The corresponding ODT register bits are cleared by writing "1" to these bits. Writing 0 has no effect on the ODT register bits, which is equivalent to ODT register bit operations. 0: No action to the corresponding ODT bits 1: Clear the corresponding ODT bits
Bit 15: 0	IOSB	0x0000	wo	GPIOx set bit The corresponding ODT register bits are set by writing "1" to these bits. Writing 0 has no effect on the ODT register bits, which is equivalent to ODT register bit operations. If both IOCB and IOSB are set, the IOSB has priority. 0: No action to the corresponding ODT bits 1: Set the corresponding ODT bits

6.3.6 GPIO clear register (GPIOx_CLR) (x=A..E)

Bit	Register	Reset value	Type	Description
Bit 31: 16	Reserved	0x0000	resd	Kept at its default value.
Bit 15: 0	IOCB	0x0000	wo	GPIOx clear bit The corresponding ODT register bits are cleared by writing "1" to these bits. Writing 0 has no effect on the ODT register bit remains unchanged, which is equivalent to ODT register bit operations. 0: No action to the corresponding ODT bits 1: Clear the corresponding ODT bits

6.3.7 GPIO write protection register (GPIOx_WPR) (x=A..E)

Bit	Register	Reset value	Type	Description
Bit 31: 17	Reserved	0x0000	resd	Kept at its default value.
Bit 16	WPSEQ	0x0	rw	Write protect sequence Write protect enable sequence bit and WPEN bit must be enabled at the same time to achieve write protection for some I/O bits. Write protect enable bit is executed four times in the order below: write "1" -> write "0" -> write "1" -> read. Note that the value of WPEN bit cannot be modified during this period.
Bit 15: 0	WPEN	0x0000	rw	Write protect enable Each bit corresponds to an I/O port. 0: No effect. 1: Write protect

6.3.8 GPIO huge current control register (GPIOx_HDRV) (x=A..E)

Bit	Register	Reset value	Type	Description
Bit 31: 16	Reserved	0x0000	resd	Kept at its default value.
Bit 15: 0	HDRV	0x0000	rw	(Portx Huge sourcing/sinking strength control) (y=0...15) Each bit corresponds to an I/O port. 0: GPIO is configured as large or normal sourcing/sinking strength, depending on IOMCy[1: 0]. 1: GPIO is configured as maximum sourcing/sinking strength, ignoring IOMCy[1: 0].

7 Multiplex function I/Os (IOMUX)

7.1 Introduction

AT32F403A/407 support up to 80 bi-directional I/O pins, which are grouped as five categories, namely PA, PB, PC, PD and PE. Each of the GPIO group provides up to 16 I/O pins that feature communication, control and data collection. In addition, their main features also include:

- Supports general-purpose I/O (GPIO) or multiplex I/O (IOMUX), which will be detailed in this chapter.
- Can be configured as multiplex function input/output ports by setting GPIOx_CFGLR or GPIOx_CFGHR
- Most pins support output map for several peripherals. Select different peripheral input/output through IOMUX register
- Supports external interrupt

7.2 Function overview

7.2.1 IOMUX structure

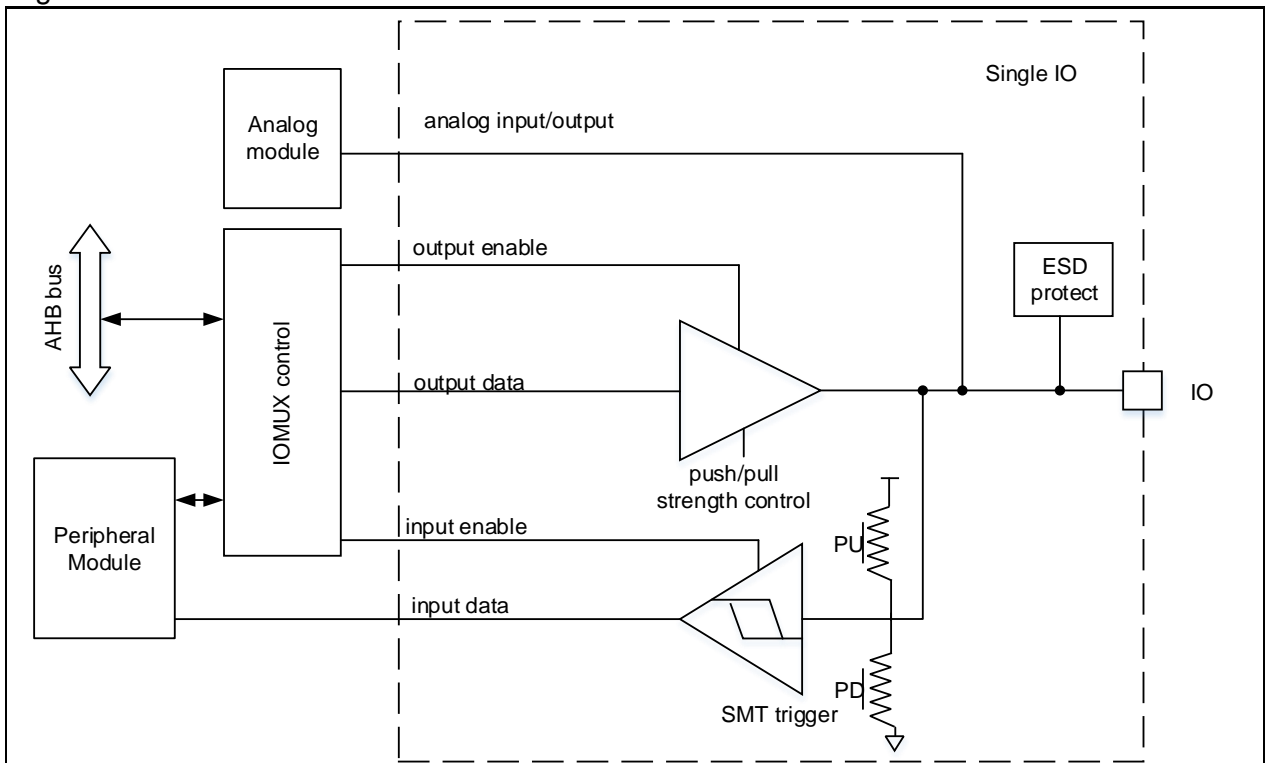
While being used as multiplexed function input, the I/O port should be configured as input modes (floating, pull-up and pull-down input)

To enable multiplexed function output, the port is configured as multiplexed function output mode (push-pull or open-drain) by setting GPIOx_CFGLR or GPIOx_CFGHR register. In this case, the pins are disconnected from GPIO controller, and controlled by IOMUX controller, instead.

To achieve bidirectional multiplexed function, the port needs to be configured as multiplexed function output modes (push-pull or open-drain), controlled by IOMUX controller.

In MUX output mode, it is possible that an I/O pin is used as output for several peripherals. Select the required multiplexed function output by setting IOMUX registers. However, when a pin is programmed as MUX IO without activating the corresponding peripheral, its output will not specified.

Figure 7-1 Basic structure of IOMUX basic structure



7.2.2 MUX Input configuration

When I/O ports are configured as multiplexed function input:

- Get I/O pin state by reading input data registers
- The pin be configured as floating input, pull-up or pull-down input
- Schmitt-trigger input is activated.
- Pin output is disabled.

Table 7-1 IOMUX input configuration

Mode	IOFC	HDRV	IOMC[1]	IOMC[0]	ODT register
Floating input	01				Unused
Pull-down input	10		000		0
Pull-up input					1

7.2.3 MUX output or bidirectional MUX configuration

When an I/O port is configured as MUX output or a bidirectional MUX:

- I/O pin output depends on the peripherals.
- Schmitt-trigger input is activated.
- Pull-up/pull-down resistor is disabled.
- If the I/O pin is set as several MUX outputs by mistake, the pin output depends on map priority, refer to next section for details.
- In open-drain mode, get an I/O port state by reading input data register
- In push-pull mode, get an I/O port state by reading input data register

The MUX functions of some peripherals can be remapped to different pins. Therefore, it is necessary to select the number of the desired peripheral IOMUX functions in different packages. Pin mapping is achieved by setting the IOMUX_REMAP and IOMUX_REMAPx registers.

Table 7-2 IOMUX output configuration

Mode	IOFC	HDRV	IOMC[1]	IOMC[0]
Push-Pull	10			
Open-Drain	11			
		001: Output mode, large sourcing/sinking strength		
		010: Output mode, normal sourcing/sinking strength		
		011: Output mode, normal sourcing/sinking strength		
		1xx: Output mode, maximum sourcing/sinking strength		

Note: For MUX function output or bidirectional MUX function, IOMC[1:0] > 00 must be met.

7.2.4 IOMUX map priority

When several peripheral MUX functions are mapped to the same pin, the priority below should be respected:

- Hardware preemption
- JTAG debug port
- Non-timer peripherals has priority over timer peripherals
- No priority applied among several non-timer peripherals, MUX function is overlapped to the same pin

7.2.4.1 Hardware preemption

Certain pins are occupied by specific hardware functions regardless of the GPIO configuration.

Table 7-3 Hardware preemption

Pin	Enable bit	Description
PA0	PWC_CTRLSTS[8]=1	Once enabled, PA0 pin acts as WKUP function of PWC.
PA4	DAC_CTRL[2]=1	Once enabled, PA4 pin acts as DAC1 analog channel.
PA5	DAC_CTRL[18]=1	Once enabled, PA5 pin acts as DAC2 analog channel.
PA11	CRM_APB1EN[23]=1	Once enabled, PA11 pin acts as USB_DM channel.
PA12	CRM_APB1EN[23]=1	Once enabled, PA12 pin acts as USB_DP channel.
PC13	CRM_APB1EN[27]=1 & (BPR_CTRL[0]=1 BPR_RTCCAL[8]= 1 BPR_RTCCAL[7]=1)	Once enabled, PC13 pin acts as RTC channel.
PC14	CMR_BPDC[0]=1	Once enabled, PC14 pin acts as LEXT channel.
PC15	CMR_BPDC[0]=1	Once enabled, PC15 pin acts as LEXT channel.

7.2.4.2 Debug port priority

The programmed debug pins will remain its state during device debugging, regardless of their GPIO register configuration. By doing this, can the debug port be free from disturbance imposed by other peripherals.

To utilize more pins during this period, the above-mentioned remap configuration can be changed by setting the SWJTAG_MUX [2:0] bit in the IOMUX_REMAP register and SWJTAG_GMUX [2:0] bit in the IOMUX_REMAP7 register.

Table 7-4 Debug port map

SWJTAG_MUX [2:0] or SWJTAG_GMUX [2:0]	SWJIO pin allocation				
	PA13/JTMS/ SWDIO	PA14/JTCK/ SWCLK	PA15/JTDI	PB3/JTDO/ TRACESWO	PB4/NJTRST
000	√	√	√	√	√
001	√	√	√	√	x
010	√	√	x	x	x
100	x	x	x	x	x
Others	-	-	-	-	-

Note: √ indicates that this pin is forcibly allocated to debug port, while x indicates that this pin can be released to other peripherals.

7.2.4.3 Other peripheral output priority

For other peripherals, their output priority are as follows:

- Non-timer peripherals have priority over timers. In other words, when other peripherals and timers are mapped to the same pin at the same time, the timer can not be output.
- When multiple non-timer peripherals are mapped to the same pin, their output are overlapped to this pin.

7.2.5 External interrupt/wake-up lines

Each pin can be used as an external interrupt input. The corresponding pin should be configured as input mode.

7.3 Multiplexed input/output (IOMUX)

IP name	IP multiplexed pin	GPIO configuration
CAN1	CAN1_GMUX 00: RX/PA11, TX/PA12 10: RX/ PB8, TX/ PB9 11: RX/ PD0, TX/ PD1 Others: Unused	CAN_TX: push-pull multiplexed output CAN_RX: floating input or pull-up input
CAN2	CAN2_MUX 0: RX/PB12, TX/PB13 1: RX/PB5, TX/PB6 Note: This bit is applied to AT32F407 only. CAN2_GMUX 0000: RX/PB12, TX/PB13 0001: RX/PB5, TX/PB6 Others: Unused	
ADC1	ADC1_ETP_MUX 0: ADC1 preempted group conversion external trigger is connected to EXINT15 1: ADC1 preempted group conversion external trigger is connected to TMR8 channel 4. ADC1_ETO_MUX 0: ADC1 regular group conversion external trigger is connected to EXINT11 1: ADC1 regular group conversion external trigger is connected to TMR8_TRGO ADC1_ETP_GMUX 0: ADC1 preempted group conversion external trigger is connected to EXINT15 1: ADC1 preempted group conversion external trigger is connected to TMR8 channel 4 ADC1_ETO_GMUX 0: ADC1 regular group conversion external trigger is connected to EXINT11 1: ADC1 regular group conversion external trigger is connected to TMR8_TRGO	ADC channel input pin: Analog input
ADC2	ADC2_ETP_MUX 0: ADC2 preempted group conversion external trigger is connected to EXINT15 1: ADC2 preempted group conversion external trigger is connected to TMR8 channel 4 ADC2_ETO_MUX 0: ADC2 regular group conversion external trigger is connected to EXINT11 1: ADC2 regular group conversion external trigger is connected to TMR8_TRGO. ADC2_ETP_GMUX 0: ADC2 preempted group conversion external trigger is connected to EXINT15 1: ADC2 preempted group conversion external trigger is	

IP name	IP multiplexed pin	GPIO configuration
	connected to TMR8 channel 4 ADC2_ETO_GMUX 0: ADC2 regular group conversion external trigger is connected to EXINT11 1: ADC2 regular group conversion external trigger is connected to TMR8_TRGO	
ADC3	NA	
DAC1	NA	DAC output pin
DAC2	NA	Configured as analog input
TMR1	TMR1_MUX 00: EXT/PA12, CH1/PA8, CH2/PA9, CH3/PA10, CH4/PA11, BRK/PB12, CH1C/PB13, CH2C/PB14, CH3C/PB15 01: EXT/PA12, CH1/PA8, CH2/PA9, CH3/PA10, CH4/PA11, BRK/PA6, CH1C/PA7, CH2C/PB0, CH3C/PB1 10: Unused 11: EXT/PE7, CH1/PE9, CH2/PE11, CH3/PE13, CH4/PE14, BRK/PE15, CH1C/PE8, CH2C/PE10, CH3C/PE12 TMR1_GMUX 0000: EXT/PA12, CH1/PA8, CH2/PA9, CH3/PA10, CH4/PA11, BRK/PB12, CH1C/PB13, CH2C/PB14, CH3C/PB15 0001: EXT/PA12, CH1/PA8, CH2/PA9, CH3/PA10, CH4/PA11, BRK/PA6, CH1C/PA7, CH2C/PB0, CH3C/PB1 0011: EXT/PE7, CH1/PE9, CH2/PE11, CH3/PE13, CH4/PE14, BRK/PE15, CH1C/PE8, CH2C/PE10, CH3C/PE12 Others: Unused	TMRx_CHx : Input capture channel-x, configured as floating input Output compare channel-x, configured as push-pull multiplexed output TMRx_CHxC: Configured as push-pull multiplexed output TMRx_BRK: Configured as floating input TMRx_EXT: Configured as floating input
TMR2	TMR2_GMUX 00: CH1_EXT/PA0 CH2/PA1 CH3/PA2 CH4/PA3 01: CH1_EXT/PA15 CH2/PB3 CH3/PA2 CH4/PA3 10: CH1_EXT/PA0 CH2/PA1 CH3/PB10 CH4/PB11 11: CH1_EXT/PA15 CH2/PB3 CH3/PB10 CH4/PB11	
TMR3	TMR3_MUX 00: CH1/PA6, CH2/PA7, CH3/PB0, CH4/PB1 01: Unused 10: CH1/PB4, CH2/PB5, CH3/PB0, CH4/PB1 11: CH1/PC6, CH2/PC7, CH3/PC8, CH4/PC9 Note: IO multiplexed function does not affect TMR3_EXT on PD2. TMR3_GMUX 0000: CH1/PA6 CH2/PA7 CH3/PB0 CH4/PB1 0010: CH1/PB4 CH2/PB5 CH3/PB0 CH4/PB1 0011: CH1/PC6 CH2/PC7 CH3/PC8 CH4/PC9 Others: Unused	
TMR4	TMR4_MUX 0: CH1/PB6, CH2/PB7, CH3/PB8, CH4/PB9 1: CH1/PD12, CH2/PD13, CH3/PD14 CH4/PD15	

IP name	IP multiplexed pin	GPIO configuration	
	TMR4_GMUX 0000: CH1/PB6 CH2/PB7 CH3/PB8 CH4/PB9 0001: CH1/PD12 CH2/PD13 CH3/PD14 CH4/PD15 Others: Unused		
TMR5	TMR5CH4_MUX 0: TMR5_CH4 is connected to PA3 1: TMR5_CH4 is connected to LICK (low speed internal clock) for LICK calibration TMR5CH4_GMUX 0: TMR5_CH4 is connected to PA3 1: LICK is connected to TMR5_CH4 for LICK calibration		
TMR6	NA		
TMR7	NA		
TMR8	NA		
TMR9	TMR9_MUX 0: CH1/PA2, CH2/PA3 1: CH1/PE5, CH2/PE6 TMR9_GMUX 0000: CH1/PA2 CH2/PA3 0001: CH1/PE5 CH2/PE6 Others: Unused		
TMR10	NA		
TMR11	NA		
TMR12	NA		
TMR13	NA		
TMR14	NA		
USART1	USART1_MUX 0: TX/PA9, RX/PA10 1: TX/PB6, RX/PB7 USART1_GMUX 0000: TX/PA9, RX/PA10 0001: TX/PB6, RX/PB7 Others: Unused		USARTx_TX Configured as push-pull multiplexed output USARTx_RX Configured as floating input or pull-up input USARTx_CK Configured as push-pull multiplexed output
USART2	USART2_MUX 0: CTS/PA0,RTS/PA1,TX/PA2,RX/PA3,CK/PA4 1: CTS/PD3,RTS/PD4,TX/PD5,RX/PD6,CK/PD7 USART2_GMUX 0000: CTS/PA0, RTS/PA1, TX/PA2, RX/PA3, CK/PA4 0001: CTS/PD3, RTS/PD4, TX/PD5, RX/PD6, CK/PD7 Others: Unused		USARTx_RTS Configured as push-pull multiplexed output USARTx_CTS Configured as floating input or pull-up input
USART3	USART3_MUX 00: TX/PB10,RX/PB11,CK/PB12,CTS/PB13,RTS/PB14 01:TX/PC10,RX/PC11,CK/PC12,CTS/PB13,RTS/PB14 10: Unused 11:TX/PD8,RX/PD9,CK/PD10,CTS/PD11,RTS/PD12		

IP name	IP multiplexed pin	GPIO configuration
	USART3_GMUX 0000: TX/PB10, RX/PB11, CK/PB12, CTS/PB13, RTS/PB14; 0001: TX/PC10, RX/PC11, CK/PC12, CTS/PB13, RTS/PB14; 0011: TX/PD8, RX/PD9, CK/PD10, CTS/PD11, RTS/PD12 Others: Unused	
UART4	UART4_GMUX 0000: TX/PC10 RX/PC11 0010: TX/PA0 RX/PA1 Others: Unused	
UART5	USART5_GMUX 0000: TX/PC12 RX/PD2 0001: TX/PB9 RX/PB8 Others: Unused	
UART6	NA	
UART7	UART7_GMUX 0000: TX/PE8 RX/PE7 0001: TX/PB4 RX/PB3 Others: Unused	
UART8	UART8_GMUX 0000: TX/PE1 RX/PE0 0001: TX/PC2 RX/PC3 Others: Unused	
I2C1	I2C1_MUX 0:SCL/PB6,SDA/PB7 SMBA/PB5 1:SCL/PB8,SDA/PB9 SMBA/PB5 I2C1_GMUX 0000: SCL/PB6, SDA/PB7 SMBA/PB5 0001:SCL/PB8, SDA/PB9 SMBA/PB5 Others: Unused	I2Cx_SCL Configured as push-pull multiplexed output I2Cx_SDA Configured as push-pull multiplexed output
I2C2	NA	
I2C3	I2C3_MUX 0: SCL/PA8 SDA/PC9 SMBA/PA9 1:SCL/PA8 SDA/PB4 SMBA/PA9 I2C3_GMUX 0000: SCL/PA8 SDA/PC9 SMBA/PA9 0001:SCL/PA8 SDA/PB4 SMBA/PA9 Others: Unused	
SPI1	SPI1_MUX 00: CS/PA4,SCK/PA5,MISO/PA6,MOSI/PA7 MCK/PB0 . 01:CS/PA15,SCK/PB3,MISO/PB4,MOSI/PB5 MCK/PB0 10:CS/PA4,SCK/PA5,MISO/PA6,MOSI/PA7 MCK/PB6 11: CS/PA15,SCK/PB3,MISO/PB4,MOSI/PB5 MCK/PB6	SPIx_SCK 主模式配置为推挽复用输出 In master mode, it is used as push-pull

IP name	IP multiplexed pin	GPIO configuration
	SPI1_GMUX 0000:CS/PA4,SCK/PA5,MISO/PA6,MOSI/PA7 MCK/PB0 . 0001:CS/PA15,SCK/PB3,MISO/PB4,MOSI/PB5 MCK/PB0. 0010: CS/PA4,SCK/PA5,MISO/PA6,MOSI/PA7 MCK/PB6 . 0011:CS/PA15,SCK/PB3,MISO/PB4,MOSI/PB5 MCK/PB6 Others: Unused	multiplexed output; In slave mode, it is used as floating input SPIx_MOSI: In full-duplex mode/master mode or bidirectional data line/master mode, it is used as push-pull multiplexed output; In full-duplex mode/master mode/slave mode, it is used as floating input or pull-up input
SPI2	SPI2_GMUX 0000:MCK/PC6 0001: MCK/PA3 0010:MCK/PA6 Others: Unused	SPIx_MISO: In full-duplex mode/master mode it is used as floating input or pull-up input In full-duplex mode/slave mode or bidirectional data line/slave mode, it is used as push-pull multiplexed output;
SPI3	SPI3_MUX 0: CS/PA15,SCK/PB3,MISO/PB4,MOSI/PB5 1: CS/PA4,SCK/PC10,MISO/PC11,MOSI/PC12 Note : This bit is applied to AT32F407 only. SPI3_GMUX 0000:CS/PA15,SCK/PB3,MISO/PB4,MOSI/PB5 MCK/PC7 0001:CS/PA4,SCK/PC10,MISO/PC11,MOSI/PC12 MCK/PC7 0010:CS/PA15,SCK/PB3,MISO/PB4,MOSI/PB5 MCK/PB10 0011:CS/PA4,SCK/PC10,MISO/PC11,MOSI/PC12 MCK/PB10 Others: Unused	SPIx_CS In hardware master/slave mode, it is used as floating input or pull-up input or pull-down input In hardware master/CS output enable mode, it is used as push-pull multiplexed output
SPI4	SPI4_MUX 0:CS/PE4 SCK/PE2 MISO/PE5 MOSI/PE6 MCK/PC8 1: CS/PE12 SCK/PE11 MISO/PE13 MOSI/PE14 MCK/PC8 SPI4_GMUX 0000: CS/PE4 SCK/PE2 MISO/PE5 MOSI/PE6 MCK/PC8 0001:CS/PE12 SCK/PE11 MISO/PE13 MOSI/PE14 MCK/PC8 0010:CS/PB6 SCK/PB7 MISO/PB8 MOSI/PB9 MCK/PC8 0011:CS/PB6 SCK/PB7 MISO/PB8 MOSI/PB9 MCK/PA10 Others: Unused	
SDIO1	NA	SDIO_CK
SDIO2	SDIO2_MUX 00:D0/PC0 D1/PC1 D2/PC3 D4/PA4 D5/PA5 D6/PA6 D7/PA7 CK/PC4 CMD/PC5 01:D0/PA4 D1/PA5 D2/PA6 D3/PA7 CK/PA2 CMD/PA3 10,11:Unused SDIO2_GMUX 0000:D0/PC0 D1/PC1 D2/PC3 D4/PA4 D5/PA5 D6/PA6 D7/PA7 CK/PC4 CMD/PC5 0001: D0/PA4 D1/PA5 D2/PA6 D3/PA7 CK/PA2 CMD/PA3 Others: Unused	Configured as push-pull multiplexed output SDIO_CMD Configured as push-pull multiplexed output SDIO[D7:D0] Configured as push-pull multiplexed output
SPIM	EXT_SPIM_EN_MUX Select whether to use external SPI Flash	SCK Configured as push-pull multiplexed output

IP name	IP multiplexed pin	GPIO configuration
	<p>EXT_SPIIM_GEN Select whether to use external SPI Flash</p> <p>EXT_SPIIM_GMUX 000: SCK/PB1 CS/PA8 IO0/PA11 IO1/PA12 IO2/PB7 IO3/PB6 001: SCK/PB1 CS/PA8 IO0/PB10 IO1/PB11 IO2/PB7 IO3/PB6 Others: Unused</p>	<p>CS Configured as push-pull multiplexed output</p> <p>IO0 Configured as push-pull multiplexed output</p> <p>IO1 Configured as push-pull multiplexed output</p> <p>IO2 Configured as push-pull multiplexed output</p> <p>IO3 Configured as push-pull multiplexed output</p>
USB	NA	After USB module is enabled, USBFS1_D-/USBFS1_D+ is automatically connected to internal USB transceiver
XMC	<p>XMC_NADV_MUX 0:XMC_NADV is connected pin (default) 1:XMC_NADV is unused. The corresponding pin can be released for other peripherals</p> <p>XMC_NADV_GMUX 0:XMC_NADV is connected pin (default) 1:XMC_NADV is unused. The corresponding pin can be released for other peripherals</p> <p>XMC_GMUX 0000: NEW/PD5 D0/PD14 D1/PD15 D2/PD0 D3/PD1 D4/PE7 D5/PE8 D6/PE9 D7/PE10 D13/PD8 NOE/PD4 0001: NEW/PD2 D0/PB14 D1/PC6 D2/PC11 D3/PC12 D4/PA2 D5/PA3 D6/PA4 D7/PA5 D13/PB12 NOE/PC5 0010: NEW/PC2 D0/PB14 D1/PC6 D2/PC11 D3/PC12 D4/PA2 D5/PA3 D6/PA4 D7/PA5 D13/PB12 NOE/PC5 Others: Unused</p>	<p>XMC_A[25:0] Configured as push-pull multiplexed output</p> <p>XMC_D[15:0] Configured as push-pull multiplexed output</p> <p>XMC_CK Configured as push-pull multiplexed output</p> <p>XMC_NOE Configured as push-pull multiplexed output</p> <p>XMC_NWE Configured as push-pull multiplexed output</p> <p>XMC_NE[4:1] Configured as push-pull multiplexed output</p> <p>XMC_NCE[3:2] Configured as push-pull multiplexed output</p> <p>XMC_NCE4_1 Configured as push-pull multiplexed output</p> <p>XMC_NCE4_2 Configured as push-pull multiplexed output</p> <p>XMC_NL</p>

IP name	IP multiplexed pin	GPIO configuration
		Configured as push-pull multiplexed output XMC_LB[1:0] Configured as push-pull multiplexed output XMC_NIORD Configured as push-pull multiplexed output XMC_NIOWR Configured as push-pull multiplexed output XMC_NREG Configured as push-pull multiplexed output XMC_NWAIT Configured as floating input or pull-up input XMC_CD Configured as floating input or pull-up input XMC_NIOS16 Configured as floating input XMC_INTR Configured as floating input XMC_INT[3: 2] Configured as floating input
TAMPER_RTC	NA	Refer to 7.2.4.1
CLKOUT	NA	Configured as push-pull multiplexed output
EXINT input line	NA	Configured as floating input or pull-up or pull-down input

7.4 IOMUX registers

Table 7-5 shows IOMUX register map and their reset values, These peripheral registers must be accessed by words (32 bits).

Table 7-5 IOMUX register map and reset value

Register	Offset	Reset value
IOMUX_EVTOUT	0x00	0x0000 0000
IOMUX_REMAP	0x04	0x0000 0000
IOMUX_EXINTC1	0x08	0x0000
IOMUX_EXINTC2	0x0C	0x0000
IOMUX_EXINTC3	0x10	0x0000
IOMUX_EXINTC4	0x14	0x0000
IOMUX_REMAP2	0x1C	0x0000 0000
IOMUX_REMAP3	0x20	0x0000 0000
IOMUX_REMAP4	0x24	0x0000 0000
IOMUX_REMAP5	0x28	0x0000 0000
IOMUX_REMAP6	0x2C	0x0000 0000
IOMUX_REMAP7	0x30	0x0000 0000
IOMUX_REMAP8	0x34	0x0000 0000

Note: IOMUX clock must be enabled before read/write access to IOMUX_EVCTRL, IOMUX_REMAPx and IOMUX_EXINTx.

7.4.1 Event output control register (IOMUX_EVTOUT)

Bit	Register	Reset value	Type	Description
Bit 31: 8	Reserved	0x000000	resd	Kept at its default value.
Bit 7	EVOEN	0x0	rw	Event output enable Once enabled, the TXEV signal of Cortex-M is directed to the allocated I/O port.
Bit 6: 4	SELPOR	0x0	rw	Selection IO port Select the GPIO port for EVENTOUT signal output: 000: GPIOA 001: GPIOB 010: GPIOC 011: GPIOD 100: GPIOE
Bit 3: 0	SELPIN	0x0	rw	Selection IO pin (x=A..E) Select the I/O pin of GPIOx for EVENTOUT output: 0000: Pin 0 0001: Pin 1 0010: Pin 2 0011: Pin 3 0100: Pin 4 0101: Pin 5 0110: Pin 6 0111: Pin 7 1000: Pin 8 1001: Pin 9 1010: Pin 10 1011: Pin 11 1100: Pin 12 1101: Pin 13 1110: Pin 14 1111: Pin 15

7.4.2 IOMUX remap register (IOMUX_REMAP)

Bit	Register	Reset value	Type	Description
Bit 31	SPI1_MUX	0x0	rw	SPI1 IO multiplexing Refer to bit 0 for more details.
Bit 30	PTP_PPS_MUX	0x0	rw	EMAC PTP PPS IO mutiplexing It indicates whether PPS_PTS is connected to PB5. 0: PTP_PPS is not connected to PB5 pin. 1: PTP_PPS is connected to PB5 pin. Note: This pin is only applied to AT32F407 series.
Bit 29	TMR2ITR1_MUX	0x0	rw	TMR2 internal trigger 1 multiplexing This bit is used to select TMR2 ITR1. 0: TMR8_TRGO is used as TMR2ITR1 input. 1: Ethernet PTP output is used as TMR2 ITR1 input. Note: This pin is only applied to AT32F407 series.
Bit 28	SPI3_MUX	0x0	rw	SPI3 IO multiplexing This bit is used to select CS, SCK, MISO and MOS for SPI3 IO. 0: CS/PA15, SCK/PB3, MISO/PB4 and MOSI/PB5. 1: CS/PA4, SCK/PC10, MISO/PC11 and MOSI/PC12. Note: This pin is only applied to AT32F407 series.
Bit 27	Reserved	0x0	resd	Kept at its default value.
Bit 26: 24	SWJTAG_MUX	0x0	rw	SWD JTAG mutiplexing These bits are used to configure SWJTGA-related I/Os as GPIOs. 000: Supports SWD and JTAG. All SWJTAG pins cannot be used as GPIOs. 001: Supports SWD and JTAG. NJTRST is disabled. PB4 can be used as GPIO. 010: Supports SWD but JTAG is disabled. PA15/PB3/PB4 can be used as GPIOs. 100: SWD and JTAG are disabled. All SWJTAG pins can be used as GPIOs. Others: No effect.
Bit 23	MII_RMII_SEL	0x0	rw	MII or RMII selection Select Ethernet MII or RMII interface. 0: MII 1: RMII Note: This pin is only applied to AT32F407 series.
Bit 22	CAN2_MUX	0x0	rw	CAN2 IO multiplexing This bit is used to select IO multiplexing for CAN2_TX and CAN2_RX. 0: RX/PB12, TX/PB13 1: RX/PB5, TX/PB6 Note: This pin is only applied to AT32F407 series.
Bit 21	EMAC_MUX	0x0	rw	EMAC IO multiplexing Select Ethernet MAC IO multiplexing function. 0: RX_DV/CRS_DV/PA7, RXD0/PC4, RXD1/PC5, RXD2/PB0 and RXD3/PB1 1: RX_DV/CRS_DV/PD8, RXD0/PD9, RXD1/PD10, RXD2/PD11 and RXD3/PD12 Note: This pin is only applied to AT32F407 series.
Bit 20	ADC2_ETO_MUX	0x0	rw	ADC2 external trigger ordinary conversion multiplexing Select external trigger input for ADC2 ordinary conversion. 0: ADC2 external trigger ordinary conversion is connected

				to EXINT11 1: ADC2 external trigger ordinary conversion is connected to TMR8_TRGO
Bit 19	ADC2_ETP_MUX	0x0	rw	ADC2 external trigger preempted conversion multiplexing Select external trigger input for ADC2 preempted conversion. 0: ADC2 external trigger preempted conversion is connected to EXINT15. 1: ADC2 external trigger preempted conversion to TMR8 channel 4.
Bit 18	ADC1_ETO_MUX	0x0	rw	ADC1 external trigger regular conversion multiplexing Select external trigger input for ADC1 ordinary conversion. 0: ADC1 external trigger ordinary conversion is connected to EXINT11. 1: ADC1 external trigger ordinary conversion TMR8_TRGO.
Bit 17	ADC1_ETP_MUX	0x0	rw	ADC1 external trigger preempted conversion multiplexing Select external trigger input for ADC1 preempted conversion. 0: ADC1 external trigger preempted conversion is connected to EXINT15. 1: ADC1 external trigger preempted conversion is connected to TMR8 channel 4.
Bit 16	TMR5CH4_MUX	0x0	rw	TMR5 channel4 multiplexing Select internal map for TMR5 channel 4. 0: TMR5_CH4 is connected to PA3. 1: TMR5_CH4 is connected to LICK. LICK can be calibrated.
Bit 15	PD01_MUX	0x0	rw	PD0/PD1 mapped on HEXT_IN / HEXT_OUT Select GPIO function map for PD0 and PD1. This is only applicable to 48-pin/64-pin packages. 0: Not PD0 and PD1 mapping 1: PD0 is mapped to HEXT_IN, while PD1 to HEXT_OUT.
Bit 14: 13	CAN_MUX	0x0	rw	CAN IO multiplexing Select IO multiplexing for CAN_TX and CAN_RX. 00: RX/PA11, TX/PA12 01: Unused 10: RX/ PB8, TX/ PB9 11: RX/ PD0, TX/ PD1
Bit 12	TMR4_MUX	0x0	rw	TMR4 IO multiplexing Select IO multiplexing for TMR4. 0: CH1/PB6, CH2/PB7, CH3/PB8 and CH4/PB9 1: CH1/PD12, CH2/PD13, CH3/PD14 and CH4/PD15
Bit 11: 10	TMR3_MUX	0x0	rw	TMR3 IO multiplexing Select IO multiplexing for TMR3. 00: CH1/PA6, CH2/PA7, CH3/PB0 and CH4/PB1 01: Unused 10: CH1/PB4, CH2/PB5, CH3/PB0 and CH4/PB1 11: CH1/PC6, CH2/PC7, CH3/PC8 and CH4/PC9 Note: IO multiplexing has no impact on TMR3_EXT on PD2.
Bit 9: 8	TMR2_MUX	0x0	rw	TMR2 IO multiplexing Select IO multiplexing for TMR2. 00: CH1/EXT/PA0, CH2/PA1, CH3/PA2 and CH4/PA3

				01: CH1/EXT/PA15, CH2/PB3, CH3/PA2 and CH4/PA3 10: CH1/EXT/PA0, CH2/PA1, CH3/PB10 and CH4/PB11 11: CH1/EXT/PA15, CH2/PB3, CH3/PB10 and CH4/PB11
Bit 7: 6	TMR1_MUX	0x0	rw	TMR1 IO multiplexing Select IO multiplexing for TMR1. 00: EXT/PA12, CH1/PA8, CH2/PA9 and CH3/PA10 CH4/PA11, BRK/PB12, CH1C/PB13, CH2C/PB14, CH3C/PB15 01: EXT/PA12, CH1/PA8, CH2/PA9, CH3/PA10, CH4/PA11, BRK/PA6, CH1C/PA7, CH2C/PB0, CH3C/PB1 10: Unused 11: EXT/PE7, CH1/PE9, CH2/PE11, CH3/PE13, CH4/PE14, BRK/PE15, CH1C/PE8, CH2C/PE10, CH3C/PE12
Bit 5: 4	USART3_MUX	0x0	rw	USART3 IO multiplexing Select IO multiplexing for USART3. 00: TX/PB10, RX/PB11, CK/PB12, CTS/PB13, RTS/PB14 01: TX/PC10, RX/PC11, CK/PC12, CTS/PB13, RTS/PB14 10: Unused 11: TX/PD8, RX/PD9, CK/PD10, CTS/PD11, RTS/PD12
Bit 3	USART2_MUX	0x0	rw	USART2 IO multiplexing Select IO multiplexing for USART2. 0: CTS/PA0, RTS/PA1, TX/PA2, RX/PA3 and CK/PA4 1: CTS/PD3, RTS/PD4, TX/PD5, RX/PD6 and CK/PD7
Bit 2	USART1_MUX	0x0	rw	USART1 IO multiplexing Select USART1 IO multiplexing 0: TX/PA9, RX/PA10 1: TX/PB6, RX/PB7
Bit 1	I2C1_MUX	0x0	rw	I2C1 IO multiplexing Select I2C1 IO multiplexing. 0: SCL/PB6, SDA/PB7, SMBA/PB5 1: SCL/PB8, SDA/PB9, SMBA/PB5
Bit 0	SPI1_MUX	0x0	rw	SPI1 IO multiplexing Select SPI1 IO multiplexing. SPI1_MUX[1] is in bit 31. 00: CS/PA4, SCK/PA5, MISO/PA6, MOSI/PA7, MCK/PB0 01: CS/PA15, SCK/PB3, MISO/PB4, MOSI/PB5, MCK/PB0 10: CS/PA4, SCK/PA5, MISO/PA6, MOSI/PA7, MCK/PB6 11: CS/PA15, SCK/PB3, MISO/PB4, MOSI/PB5, MCK/PB6

7.4.3 IOMUX external interrupt configuration register1 (IOMUX_EXINTC1)

Bit	Register	Reset value	Type	Description
Bit 31: 16	Reserved	0x0000	resd	Kept at its default value.
Bit 15: 12	EXINT3	0x0000	rw	EXINT3 input source configuration Select the input source for EXINT3 external interrupt. 0000: GPIOA pin3 0001: GPIOB pin3 0010: GPIOC pin3 0011: GPIOD pin3 0100: GPIOE pin3 Others: Reserved.
Bit 11: 8	EXINT2	0x0000	rw	EXINT2 input source configuration Select the input source for EXINT2 external interrupt.

				0000: GPIOA pin2 0001: GPIOB pin2 0010: GPIOC pin2 0011: GPIOD pin2 0100: GPIOE pin2 Others: Reserved.
Bit 7: 4	EXINT1	0x0000	rw	EXINT1 input source configuration Select the input source for EXINT1 external interrupt. 0000: GPIOA pin1 0001: GPIOB pin1 0010: GPIOC pin1 0011: GPIOD pin1 0100: GPIOE pin1 Others: Reserved.
Bit 3: 0	EXINT0	0x0000	rw	EXINT0 input source configuration Select the input source for EXINT0 external interrupt. 0000: GPIOA pin0 0001: GPIOB pin0 0010: GPIOC pin0 0011: GPIOD pin0 0100: GPIOE pin0 Others: Reserved.

7.4.4 IOMUX external interrupt configuration register2 (IOMUX_EXINTC2)

Bit	Register	Reset value	Type	Description
Bit 31: 16	Reserved	0x0000	resd	Kept at its default value.
Bit 15: 12	EXINT7	0x0000	rw	EXINT7 input source configuration Select the input source for EXINT7 external interrupt. 0000: GPIOA pin7 0001: GPIOB pin7 0010: GPIOC pin7 0011: GPIOD pin7 0100: GPIOE pin7 Others: Reserved.
Bit 11: 8	EXINT6	0x0000	rw	EXINT6 input source configuration Select the input source for EXINT6 external interrupt. 0000: GPIOA pin6 0001: GPIOB pin6 0010: GPIOC pin6 0011: GPIOD pin6 0100: GPIOE pin6 Others: Reserved.
Bit 7: 4	EXINT5	0x0000	rw	EXINT5 input source configuration Select the input source for EXINT5 external interrupt. 0000: GPIOA pin5 0001: GPIOB pin5 0010: GPIOC pin5 0011: GPIOD pin5 0100: GPIOE pin5 Others: Reserved.
Bit 3: 0	EXINT4	0x0000	rw	EXINT4 input source configuration Select the input source for EXINT4 external interrupt.

0000: GPIOA pin4
 0001: GPIOB pin4
 0010: GPIOC pin4
 0011: GPIOD pin4
 0100: GPIOE pin4
 Others: Reserved.

7.4.5 IOMUX external interrupt configuration register3 (IOMUX_EXINTC3)

Bit	Register	Reset value	Type	Description
Bit 31: 16	Reserved	0x0000	resd	Kept at its default value.
Bit 15: 12	EXINT11	0x0000	rw	EXINT11 input source configuration Select the input source for EXINT11 external interrupt. 0000: GPIOA pin11 0001: GPIOB pin11 0010: GPIOC pin11 0011: GPIOD pin11 0100: GPIOE pin11 Others: Reserved.
Bit 11: 8	EXINT10	0x0000	rw	EXINT10 input source configuration Select the input source for EXINT10 external interrupt. 0000: GPIOA pin10 0001: GPIOB pin10 0010: GPIOC pin10 0011: GPIOD pin10 0100: GPIOE pin10 Others: Reserved.
Bit 7: 4	EXINT9	0x0000	rw	EXINT9 input source configuration Select the input source for EXINT9 external interrupt. 0000: GPIOA pin9 0001: GPIOB pin9 0010: GPIOC pin9 0011: GPIOD pin9 0100: GPIOE pin9 Others: Reserved.
Bit 3: 0	EXINT8	0x0000	rw	EXINT8 input source configuration Select the input source for EXINT8 external interrupt. 0000: GPIOA pin8 0001: GPIOB pin8 0010: GPIOC pin8 0011: GPIOD pin8 0100: GPIOE pin8 Others: Reserved.

7.4.6 IOMUX external interrupt configuration register4 (IOMUX_EXINTC4)

Bit	Register	Reset value	Type	Description
Bit 31: 16	Reserved	0x0000	resd	Kept at its default value.
Bit 15: 12	EXINT15	0x0000	rw	EXINT15 input source configuration Select the input source for EXINT15 external interrupt. 0000: GPIOA pin15 0001: GPIOB pin15 0010: GPIOC pin15

				0011: GPIOD pin15 0100: GPIOE pin15 Others: Reserved.
Bit 11: 8	EXINT14	0x0000	rw	EXINT14 input source configuration Select the input source for EXINT14 external interrupt. 0000: GPIOA pin14 0001: GPIOB pin14 0010: GPIOC pin144 0011: GPIOD pin14 0100: GPIOE pin14 Others: Reserved.
Bit 7: 4	EXINT13	0x0000	rw	EXINT13 input source configuration Select the input source for EXINT13 external interrupt. 0000: GPIOA pin13 0001: GPIOB pin13 0010: GPIOC pin13 0011: GPIOD pin13 0100: GPIOE pin13 Others: Reserved.
Bit 3: 0	EXINT12	0x0000	rw	EXINT12 input source configuration Select the input source for EXINT12 external interrupt. 0000: GPIOA pin12 0001: GPIOB pin12 0010: GPIOC pin12 0011: GPIOD pin12 0100: GPIOE pin12 Others: Reserved.

7.4.7 IOMUX remap register2 (IOMUX_REMAP2)

Bit	Register	Reset value	Type	Description
Bit 31: 22	Reserved	0x000	resd	Keep at its default value.
Bit 21	SPIM_EN	0x0	rw	SPIM enable Select whether to use SPI Flash.
Bit 20: 19	SDIO2_MUX	0x0	rw	SDIO2_MUX[1: 0]: SDIO2 IO multiplexing 00: D0/PC0 D1/PC1 D2/PC3 D4/PA4 D5/PA5 D6/PA6 D7/PA7 CK/PC4 CMD/PC5 01: D0/PA4 D1/PA5 D2/PA6 D3/PA7 CK/PA2 CMD/PA3 10,11: Unused
Bit 18	I2C3_MUX	0x0	rw	I2C3_MUX: I2C3 IO mutiplexing Select IO multiplexing for I2C3. 0: SCL/PA8 SDA/PC9 SMBA/PA9 1: SCL/PA8 SDA/PB4 SMBA/PA9
Bit 17	SPI4_MUX	0x0	rw	SPI4_MUX: SPI4 IO multiplexing Select IO multiplexing for SPI4. 0: CS/PE4 SCK/PE2 MISO/PE5 MOSI/PE6 MCK/PC8 1: CS/PE12 SCK/PE11 MISO/PE13 MOSI/PE14 MCK/PC8
Bit 16: 11	Reserved	0x00	resd	Keep its default value.
Bit 10	XMC_NADV_MUX	0x0	rw	XMC_NADV_MUX: XMC NADV connect Select whether to use XMC_NADV signal. 0: XMC_NADV is connected to the corresponding pin (by default) 1: XMC_NADV is not used. The corresponding pin canbe used for other peripherals.

Bit 9: 6	Reserved	0x0	resd	Kept at its default value.
Bit 5	TMR9_MUX	0x0	rw	TMR9_MUX: TMR9 IO multiplexing Select IO multiplexing for TMR9. 0: CH1/PA2, CH2/PA3 1: CH1/PE5, CH2/PE6
Bit 4: 0	Reserved	0x00	resd	Kept at its default value.

7.4.8 IOMUX remap register3 (IOMUX_REMAP3)

Bit	Register	Reset value	Type	Description
Bit 31: 4	Reserved	0x0000000	resd	Kept at its default value.
Bit 3: 0	TMR9_GMUX	0x0	rw	TMR9 IO general multiplexing Select IO multiplexing for TMR9. 0000: CH1/PA2, CH2/PA3 0001: CH1/PE5, CH2/PE6

7.4.9 IOMUX remap register4 (IOMUX_REMAP4)

Bit	Register	Reset value	Type	Description
Bit 31: 20	Reserved	0x000	resd	Kept at its default value.
Bit 19	TMR5CH4_GMUX	0x0	rw	TMR5 channel4 general multiplexing Select TMR5 channel4 general multiplexing 0: TMR5_CH4 is connected to PA3. 1: LICK is connected to TMR5_CH4 to get calibration.
Bit 18: 16	Reserved	0x0	resd	Kept at its default value.
Bit 15: 12	TMR4_GMUX	0x0	rw	TMR4 IO general multiplexing Select IO multiplexing for TMR4. 0000: CH1/PB6 CH2/PB7 CH3/PB8 CH4/PB9 0001: CH1/PD12 CH2/PD13 CH3/PD14 CH4/PD15
Bit 11: 8	TMR3_GMUX	0x0	rw	TMR3 IO general multiplexing Select IO multiplexing for TMR3. 0000: CH1/PA6 CH2/PA7 CH3/PB0 CH4/PB1 0001: CH1/PB4 CH2/PB5 CH3/PB0 CH4/PB1
Bit 7: 6	TMR2ITR1_GMUX	0x0	rw	TMR2 internal trigger 1 general multiplexing Select TMR2_ITR1 general multiplexing 00: TMR8_TRGO is used as input source of TMR2 ITR1 01: Reserved. Do not use. 10: Ethernet PTP output to TMR2_ITR1. 11: SB SOF is used as input source of TMR2_ITR1 (This selection will cause TMR2_GMUX/TMR2_MUX failure. Pay more attention to this restriction)
Bit 5: 4	TMR2_GMUX	0x0	rw	TMR2 IO general multiplexing Select IO multiplexing for TMR2. 00: CH1_EXT/PA0 CH2/PA1 CH3/PA2 CH4/PA3 01: CH1_EXT/PA15 CH2/PB3 CH3/PA2 CH4/PA3 10: CH1_EXT/PA0 CH2/PA1 CH3/PB10 CH4/PB11 11: CH1_EXT/PA15 CH2/PB3 CH3/PB10 CH4/PB11
Bit 3: 0	TMR1_GMUX	0x0	rw	TMR1 IO general multiplexing Select IO multiplexing for TMR1. 0000: EXT/PA12, CH1/PA8, CH2/PA9, CH3/PA10, CH4/PA11, BRK/PB12, CH1C/PB13, CH2C/PB14, CH3C/PB15 0001: EXT/PA12, CH1/PA8, CH2/PA9, CH3/PA10, CH4/PA11, BRK/PA6, CH1C/PA7, CH2C/PB0, CH3C/PB1 0011: EXT/PE7, CH1/PE9, CH2/PE11, CH3/PE13, CH4/PE14, BRK/PE15, CH1C/PE8, CH2C/PE10, CH3C/PE12

Others: Unused.

7.4.10 IOMUX remap register5 (IOMUX_REMAP5)

Bit	Register	Reset value	Type	Description
Bit 31: 28	SPI4_GMUX	0x0	rw	<p>SPI4 IO general multiplexing Select IO multiplexing for SPI4.</p> <p>0000: CS/PE4 SCK/PE2 MISO/PE5 MOSI/PE6 MCK/PC8 0001: CS/PE12 SCK/PE11 MISO/PE13 MOSI/PE14 MCK/PC8 0010: CS/PB6 SCK/PB7 MISO/PB8 MOSI/PB9 MCK/PC8 0011: CS/PB6 SCK/PB7 MISO/PB8 MOSI/PB9 MCK/PA10 Others: Unused.</p>
Bit 27: 24	SPI3_GMUX	0x0	rw	<p>SPI3 IO general multiplexing Select IO multiplexing for SPI3.</p> <p>0000: CS/PA15, SCK/PB3, MISO/PB4, MOSI/PB5 MCK/PC7 0001: CS/PA4, SCK/PC10, MISO/PC11, MOSI/PC12 MCK/PC7 0010: CS/PA15, SCK/PB3, MISO/PB4, MOSI/PB5 MCK/PB10 0011: CS/PA4, SCK/PC10, MISO/PC11, MOSI/PC12 MCK/PB10 Others: Unused</p>
Bit 23: 20	SPI2_GMUX	0x0	rw	<p>SPI2 IO general multiplexing Select IO multiplexing for SPI2.</p> <p>0000: MCK/PC6 0001: MCK/PA3 0010: MCK/PA6 Others: Unused</p>
Bit 19: 16	SPI1_GMUX	0x0	rw	<p>SPI1 IO general multiplexing Select IO multiplexing for SPI1.</p> <p>0000: CS/PA4, SCK/PA5, MISO/PA6, MOSI/PA7 MCK/PB0 0001: CS/PA15, SCK/PB3, MISO/PB4, MOSI/PB5 MCK/PB0 0010: CS/PA4, SCK/PA5, MISO/PA6, MOSI/PA7 MCK/PB6 0011: CS/PA15, SCK/PB3, MISO/PB4, MOSI/PB5 MCK/PB6 Others: Unused</p>
Bit 15: 12	I2C3_GMUX	0x0	rw	<p>I2C3 IO general multiplexing Select IO multiplexing for I2C3.</p> <p>0000: SCL/PA8 SDA/PC9 SMBA/PA9 0001: SCL/PA8 SDA/PB4 SMBA/PA9 Others: Unused</p>
Bit 11: 8	Reserved	0x0	resd	Kept at its default value.
Bit 7: 4	I2C1_GMUX	0x0	rw	<p>I2C1 IO general multiplexing Select IO multiplexing for I2C1.</p> <p>0000: SCL/PB6, SDA/PB7, SMBA/PB5; 0001: SCL/PB8, SDA/PB9, SMBA/PB5. Others: Unused</p>
Bit 3: 0	USART5_GMUX	0x0	rw	USART5 IO general multiplexing

Select IO multiplexing for USART5.
 0000: TX/PC12 RX/PD12
 0001: TX/PB9 RX/PB8
 Others: Unused

7.4.11 IOMUX remap register6 (IOMUX_REMAP6)

Bit	Register	Reset value	Type	Description
				IO general multiplexing Select IO multiplexing for UART4. 0000: TX/PC10 RX/PC11 0010: TX/PA0 RX/PA1 Others: Unused
Bit 31: 28	USART4_GMUX	0x0	rw	
				USART3 IO general multiplexing Select IO multiplexing for USART3. 0000: TX/PB10, RX/PB11, CK/PB12, CTS/PB13, RTS/PB14 0001: TX/PC10, RX/PC11, CK/PC12, CTS/PB13, RTS/PB14 0011: TX/PD8, RX/PD9, CK/PD10, CTS/PD11, RTS/PD12 Others: Unused
Bit 27: 24	USART3_GMUX	0x0	rw	
				USART2 IO general multiplexing Select IO multiplexing for USART2. 0000: CTS/PA0, RTS/PA1, TX/PA2, RX/PA3, CK/PA4 0001: CTS/PD3, RTS/PD4, TX/PD5, RX/PD6, CK/PD7 Others: Unused
Bit 23: 20	USART2_GMUX	0x0	rw	
				USART1 IO general multiplexing Select IO multiplexing for USART1. 0000: TX/PA9, RX/PA10 0001: TX/PB6, RX/PB7 Others: Unused
Bit 19: 16	USART1_GMUX	0x0	rw	
				SDIO2 IO general multiplexing Select IO multiplexing for SDIO2. 0000: D0/PC0 D1/PC1 D2/PC3 D4/PA4 D5/PA5 D6/PA6 D7/PA7 CK/PC4 CMD/PC5 0001: D0/PA4 D1/PA5 D2/PA6 D3/PA7 CK/PA2 CMD/PA3 Others: Unused
Bit 15: 12	SDIO2_GMUX	0x0	rw	
Bit 11: 8	Reserved	0x0	resd	Kept at its default value.
				CAN2 IO general multiplexing Select IO multiplexing for CAN2. 0000: RX/PB12, TX/PB13 0001: RX/PB5, TX/PB6 Others: Unused
Bit 7: 4	CAN2_GMUX	0x0	rw	
				CAN1 IO general multiplexing Select IO multiplexing for CAN1. 00: RX/PA11, TX/PA12 10: RX/ PB8, TX/ PB9 11: RX/ PD0, TX/ PD1; Others: Unused
Bit 3: 0	CAN1_GMUX	0x0	rw	

7.4.12 IOMUX remap register7 (IOMUX_REMAP7)

Bit	Register	Reset value	Type	Description
Bit 31: 28	Reserved	0x0	resd	Kept at its default value.
Bit 27	XMC_NADV_GMUX	0x0	rw	<p>XMC NADV IO general multiplexing</p> <p>Select whether to use XMC_NADV signal.</p> <p>0: XMC_NADV is connected to the corresponding pin (by default)</p> <p>1: XMC_NADV is not used. The corresponding pin can be used by other peripherals.</p>
Bit 26: 24	XMC_GMUX	0x0	rw	<p>XMC IO general multiplexing</p> <p>Select IO multiplexing for XMC.</p> <p>0000: NEW/PD5 D0/PD14 D1/PD15 D2/PD0 D3/PD1 D4/PE7 D5/PE8 D6/PE9 D7/PE10 D13/PD8 NOE/PD4</p> <p>0001: NEW/PD2 D0/PB14 D1/PC6 D2/PC11 D3/PC12 D4/PA2 D5/PA3 D6/PA4 D7/PA5 D13/PB12 NOE/PC5</p> <p>0010: NEW/PC2 D0/PB14 D1/PC6 D2/PC11 D3/PC12 D4/PA2 D5/PA3 D6/PA4 D7/PA5 D13/PB12 NOE/PC5</p> <p>Others: Unused</p>
Bit 23: 21	Reserved	0x0	resd	Kept at its default value.
Bit 20	PD01_GMUX	0x0	rw	<p>PD0/PD1 mapped onto HEXT_IN / HEXT_OUT</p> <p>Select GPIO mapping for PD0 and PD1.</p> <p>This is applied to only 48-pin and 64-pin packages.</p> <p>0: No PD0 and PD1 mapping</p> <p>1: PD0 is mapped to HEXT_IN, while PD1 is mapped to HEXT_OUT.</p>
Bit 19	Reserved	0x0	resd	Kept at its default value.
Bit 18: 16	SWJTAG_GMUX	0x0	rw	<p>SWD JTAG IO general multiplexing</p> <p>These bits are used to configure SWJTAG-related IOs as GPIO.</p> <p>000: Supports SWD and JTAG. All SWJTAG pins cannot be used as GPIO.</p> <p>001: Supports SWD and JTAG. NJTRST is disabled. PB4 can be used as GPIO.</p> <p>010: Supports SWD. But JTAG is disabled. PA15/PB3/PB4 can be used as GPIO.</p> <p>100: SWD and JTAG are disabled. All SWJTAG pins can be used as GPIO</p> <p>Others: No effect.</p>
Bit 15: 10	Reserved	0x00	resd	Kept at its default value.
Bit 9	ADC2_ETO_GMUX	0x0	rw	<p>ADC2 external trigger regular conversion general multiplexing</p> <p>Select the input source for ADC2 external trigger regular conversion</p> <p>0: ADC2 external trigger regular conversion is connected to EXINT11</p> <p>1: ADC2 external trigger regular conversion is connected to TMR8_TRGO.</p>
Bit 8	ADC2_ETP_GMUX	0x0	rw	<p>ADC2 external trigger preempted conversion general multiplexing</p> <p>Select the input source for ADC2 external trigger preempted conversion</p> <p>0: ADC2 external trigger preempted conversion is connected to EXINT15</p> <p>1: ADC2 external trigger preempted conversion is connected to TMR8 channel 4</p>
Bit 7: 6	Reserved	0x0	resd	Keep at its default value.

Bit 5	ADC1_ETO_GMUX	0x0	rw	<p>ADC1 external trigger regular conversion general multiplexing</p> <p>Select the input source for ADC1 external trigger regular conversion.</p> <p>0: ADC1 external trigger regular conversion is connected to EXINT11</p> <p>1: ADC1 external trigger regular conversion is connected to TMR8_TRGO</p>
Bit 4	ADC1_ETP_GMUX	0x0	rw	<p>ADC1 External trigger preempted conversion general multiplexing</p> <p>Select the input source for ADC1 External trigger preempted conversion.</p> <p>0: ADC1 External trigger preempted conversion is connected to EXINT15</p> <p>1: ADC1 External trigger preempted conversion is connected to TMR8 channel 4</p>
Bit 3	EXT_SPIM_GEN	0x0	rw	<p>SPIM enable</p> <p>Select whether to use SPI Flash.</p>
Bit 2: 0	EXT_SPIM_GMUX	0x0	rw	<p>Select IO multiplexing for SPIM</p> <p>000: SCK/PB1 CS/PA8 IO0/PA11 IO1/PA12 IO2/PB7 IO3/PB6</p> <p>001: SCK/PB1 CS/PA8 IO0/PB10 IO1/PB11 IO2/PB7 IO3/PB6</p> <p>Others: Unused</p>

7.4.13 IOMUX remap register8 (IOMUX_REMAP8)

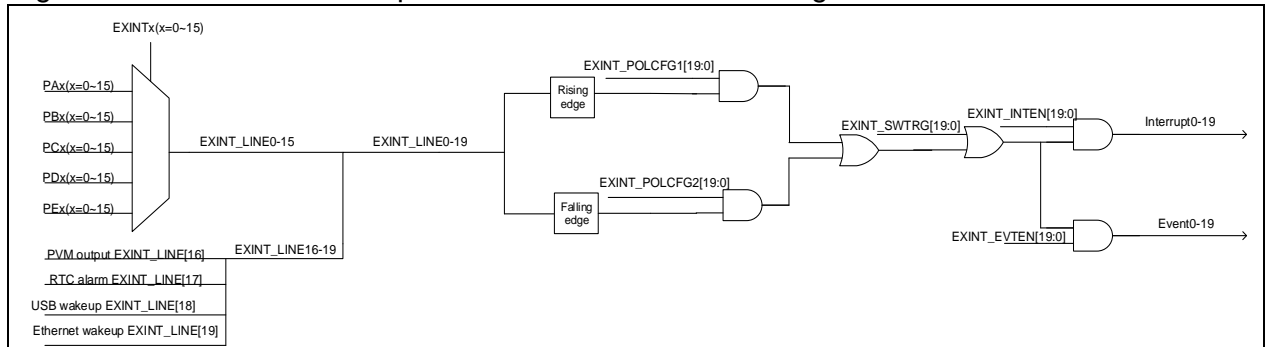
Bit	Register	Reset value	Type	Description
Bit 31: 28	UART8_GMUX	0x0	rw	UART8 IO general multiplexing Select IO multiplexing for UART8. 0000: TX/PE1 RX/PE0 0001: TX/PC2 RX/PC3 Others: Unused
Bit 27: 24	UART7_GMUX	0x0	rw	UART7 IO general multiplexing Select IO multiplexing for UART7. 0000: TX/PE8 RX/PE7 0001: TX/PB4 RX/PB3 Others: Unused
Bit 23: 20	USART6_GMUX	0x0	rw	USART6 IO general multiplexing Select IO multiplexing for USART6. 0000: TX/PC6 RX/PC7 0001: TX/PA4 RX/PA5 Others: Unused
Bit 19	PTP_PPS_GMUX	0x0	rw	EMAC PTP PPS IO general multiplexing This bit is used to select whether PPS_PTS is connected to PB5. 0: PTP_PPS is not connected to PB5 pin. 1: PTP_PPS is connected to PB5 pin. Note: This bit is applied to only AT32F407.
Bit 18	MII_RMII_SEL	0x0	rw	MII or RMII selection This bit is used to select MII or RMII for Ethernet. 0: MII 1: RMII Note: This bit is applied to only AT32F407.
Bit 17: 16	EMAC_GMUX	0x0	rw	EMAC IO general multiplexing Select IO multiplexing for EMAC. 0: RX_DV/CRS_DV/PA7, RXD0/PC4, RXD1/PC5, RXD2/PB0, RXD3/PB1 1: RX_DV/CRS_DV/PD8, RXD0/PD9, RXD1/PD10, RXD2/PD11, RXD3/PD12 Note: This bit is applied to only AT32F407.
Bit 15: 0	Reserved	0x0000	resd	Kept at its default value.

8 External interrupt/Event controller (EXINT)

8.1 EXINT introduction

EXINT consists of 20 interrupt lines EXINT_LINE[19:0], each of which can generate an interrupt or event by edge detection trigger or software trigger. EXINT can enable or disable an interrupt or event independently through software configuration, and utilizes different edge detection modes (rising edge, falling edge or both edges) as well as trigger modes (edge detection, software trigger or both triggers) to respond to the trigger source in order to generate an interrupt or event.

Figure 8-1 External interrupt/Event controller block diagram



Main features:

- EXINT 0~15 mapping IO can be configured independently
- Independent trigger selection on each interrupt line
- Independent enable bit on each interrupt
- Independent enable bit on each event
- Up to 20 software trigger that can be generated and cleared independently.
- Independent status bit on each interrupt
- Each interrupt can be cleared independently.

8.2 Function overview and configuration procedure

With up to 20 interrupt lines EXINT_LINE[19:0], EXINT can detect not only GPIO external interrupt sources but also four internal sources such as PVM output, RTC alarm events, USB wakeup events and Ethernet wakeup events through edge detection mechanism, where, GPIO interrupt sources can be selected with IOMUX_EXINTCx register. It should be noted that these input sources are mutually exclusive. For example, EXINT_LINE0 is allowed to select only one of PA0/PB0/PC0/PD0 pins, instead of taking both PA0 and PB0 as the input sources at the same time.

EXINT supports several edge detection modes, including rising edge, falling edge or both edges, selected by EXINT_POLCFG1 and EXINT_POLCFG2 register. Active edge trigger detected on the interrupt line can be used to generate an events or interrupt.

In addition, EXINT supports independent software trigger for the generation of an event or interrupt. This is achieved by setting the corresponding bits in the EXINT_SWTRG register.

EXINT can enable or disable an interrupt or event independently through software configuration such as EXINT_INTEN and EXINT_EVTEN register, indicating that the corresponding interrupt or event must be enabled prior to either edge detection or software trigger.

EXINT also features an independent interrupt status bit. Reading access to EXINT_INTSTS register can obtain the corresponding interrupt status. The status flag is cleared by writing "1" to this register.

Interrupt initialization procedure

- Select an interrupt source by setting IOMUX_EXINTCx register (This is required if GPIO is used as an interrupt source)
- Select an trigger mode by setting EXINT_POLCFG1 and EXINT_POLCFG2 register
- Enable interrupt or event by setting EXINT_INTEN and EXINT_EVTEN register

- Generate software trigger by setting EXINT_SWTRG register (This is applied to only software trigger interrupt)

Interrupt clear procedure

- Writing “1” to the EXINT_INTSTS register to clear the interrupts generated, and the corresponding bits in the EXINT_SWTRG register.

8.3 EXINT registers

These peripheral registers must be accessed by words (32 bits).

Table 8-1 shows EXINT register map and their reset value.

Table 8-1 External interrupt/Event controller register map and reset value

Register	Offset	Reset value
EXINT_INTEN	0x00	0x0000 0000
EXINT_EVTEN	0x04	0x0000 0000
EXINT_POLCFG1	0x08	0x0000 0000
EXINT_POLCFG2	0x0C	0x0000 0000
EXINT_SWTRG	0x10	0x0000 0000
EXINT_INTSTS	0x14	0x0000 0000

8.3.1 Interrupt enable register (EXINT_INTEN)

Bit	Register	Reset value	Type	Description
Bit 31:20	Reserved	0x000	resd	Forced to 0 by hardware.
Bit 19:0	INTENx	0x00000	rw	Interrupt enable or disable on line x 0: Interrupt request is disabled. 1: Interrupt request is enabled. Note: Bit 19 is applied to only AT32F407 and is reserved otherwise.

8.3.2 Event enable register (EXINT_EVTEN)

Bit	Register	Reset value	Type	Description
Bit 31:20	Reserved	0x000	resd	Forced to 0 by hardware.
Bit 19:0	EVTENx	0x00000	rw	Event enable or disable on line x 0: Event request is disabled. 1: Event request is enabled. Note: Bit 19 is applied to only AT32F407 and is reserved otherwise.

8.3.3 Polarity configuration register1 (EXINT_POLCFG1)

Bit	Register	Reset value	Type	Description
Bit 31:20	Reserved	0x000	resd	Forced to 0 by hardware.
Bit 19:0	RPx	0x00000	rw	Rising edge event configuration bit on line x These bits are used to select rising edge to trigger an interrupt and event on line x. 0: Rising trigger on line x is disabled. 1: Rising trigger on line x is enable. Note: Bit 19 is applied to only AT32F407 and is reserved otherwise.

8.3.4 Polarity configuration register2 (EXINT_ POLCFG2)

Bit	Register	Reset value	Type	Description
Bit 31: 20	Reserved	0x000	resd	Forced to 0 by hardware. Falling edge event configuration bit on line x
Bit 19: 0	FPx	0x00000	rw	These bits are used to select falling edge to trigger an interrupt and event on line x. 0: Falling trigger on line x is disabled. 1: Falling trigger on line x is enabled. Note: Bit 19 is applied to only AT32F407 and is reserved otherwise.

8.3.5 Software trigger register (EXINT_ SWTRG)

Bit	Register	Reset value	Type	Description
Bit 31: 20	Reserved	0x000	resd	Forced to 0 by hardware. Software trigger on line x
Bit 19: 0	SWTx	0x00000	rw	If the corresponding bit in EXINT_INTEN register is 1, the software writes to this bit. The hardware sets the corresponding bit in the EXINT_INTSTS automatically to generate an interrupt. If the corresponding bit in the EXINT_EVTEN register is 1, the software writes to this bit. The hardware generates an event on the corresponding interrupt line automatically. 0: Default value 1: Software trigger generated Note: This bit is cleared by writing 1 to the corresponding bit in the EXINT_INTSTS register. Note: Bit 19 is applied to only AT32F407 and is reserved otherwise.

8.3.6 Interrupt status register (EXINT_ INTSTS)

Bit	Register	Reset value	Type	Description
Bit 31: 20	Reserved	0x000	resd	Forced to 0 by hardware. Line x status bit
Bit 19: 0	LINEx	0x00000	rw	0: No interrupt occurred. 1: Interrupt occurred. Note: This bit is cleared by writing 1. Bit 19 is applied to only AT32F407 and is reserved otherwise.

9 DMA controller (DMA)

9.1 Introduction

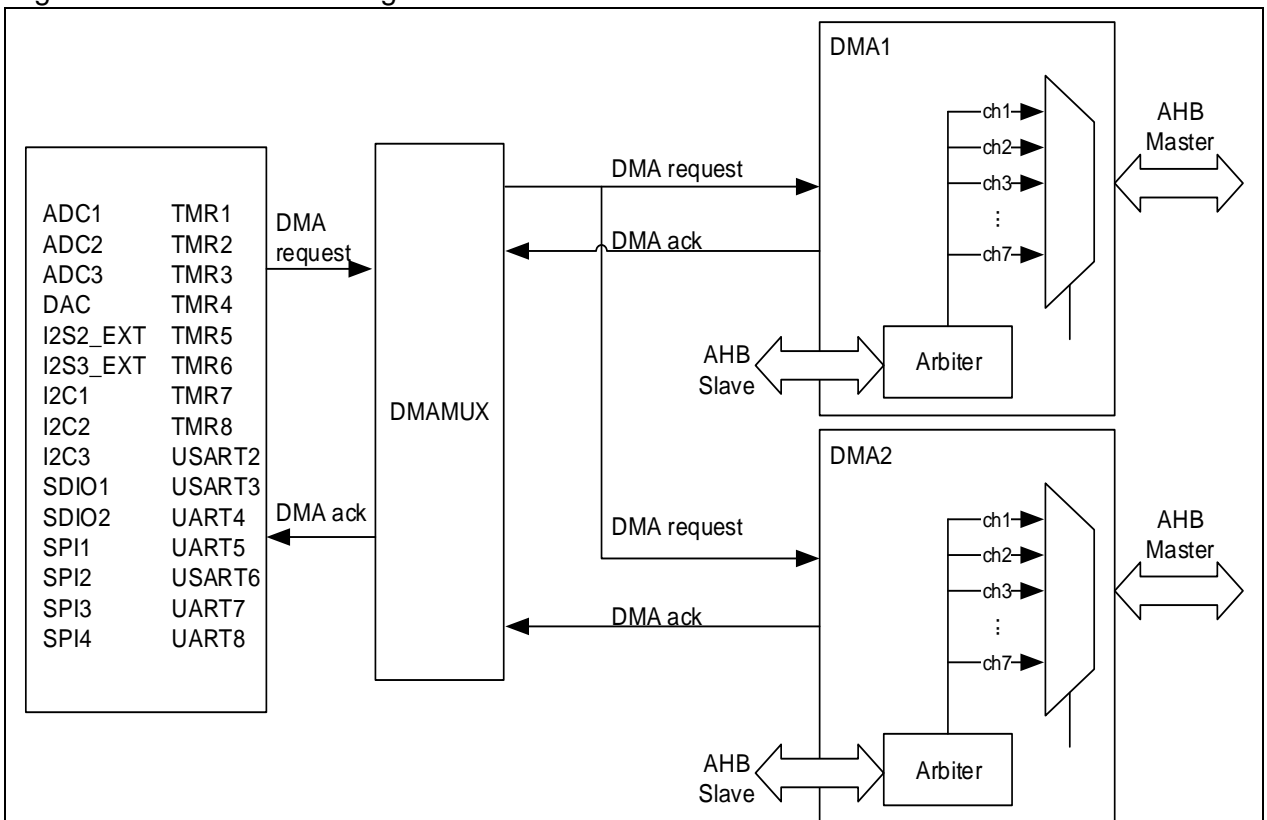
Direct memory access (DMA) controller is designed for 32-bit MCU applications with the aim of enhancing system performance and reducing the generation of interrupts.

There are two DMA controllers in the microcontroller. Each controller contains 7 DMA channels. Each channel manages memory access requests from one or more peripherals. An arbiter is available for coordinating the priority of each DMA request.

9.2 Main features

- AMBA compliant (Rev. 2.0)
- Only support AHB OKAY and ERROR responses
- HBUSREQ and HGRANT of AHB master interface are not supported
- Support 7 channels
- Peripheral-to-memory, memory-to-peripheral, and memory-to-memory transfers
- Support hardware handshake
- Support 8-bit, 16-bit and 32-bit data transfers
- Programmable amount of data to be transferred: up to 65535
- Support flexible mapping

Figure 9-1 DMA block diagram



Note: The number of DMA peripherals in Figure 9-1 may decrease depending on different models.

9.3 Function overview

9.3.1 DMA configuration

- 1. Set the peripheral address in the DMA_CxPADD register**
The initial peripheral address for data transfer remains unchanged during transmission.
- 2. Set the memory address in the DMA_CxMADDR register**
The initial memory address for data transfer remains unchanged during transmission.
- 3. Configure the amount of data to be transferred in the DMA_CxDTCNT register**
Programmable data transfer size is up to 65535. This value is decremented after each data transfer.
- 4. Configure the channel setting in the DMA_CxCTRL register**
Including channel priority, data transfer direction/width, address incremented mode, circular mode and interrupt mode
 - **Channel priority (CHPL)**
There are four levels, including very high priority, high priority, medium priority and low priority. If the two channels have the same priority level, then the channel with lower number will get priority over the one with higher number. For example, channel 1 has priority over channel 2.
 - **Data transfer direction (DTD)**
Memory-to-peripheral (M2P), peripheral-to-memory (P2M)
 - **Address incremented mode (PINCM/MINCM)**
In incremented mode, the subsequent transfer address is the previous address plus transfer width (PWIDTH/MWIDTH).
 - **Circular mode (LM)**
In circular mode, the contents in the DMA_CxDTCNT register is automatically reloaded with the initially programmed value after the completion of the last transfer.
 - **Memory-to-memory mode (M2M)**
This mode indicates that DMA channels perform data transfer without requests from peripherals. Circular mode and memory-to-memory mode cannot be used at the same time.
- 5. Enable DMA transfer by setting the CHEN bit in the DMA_CxCTRL register**

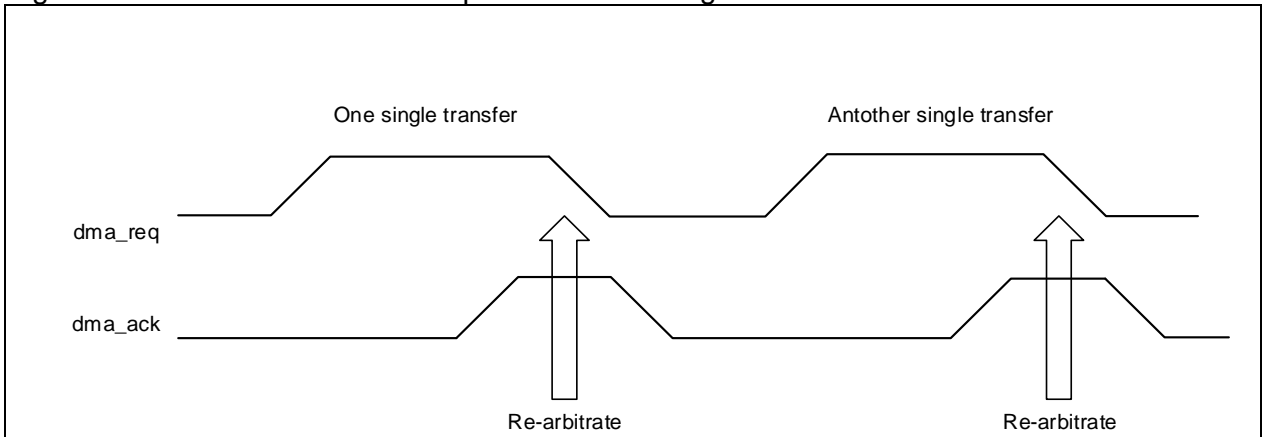
9.3.2 Handshake mechanism

In P2M and M2P mode, the peripherals need to send a request signal to the DMA controller. The DMA channel will send the peripheral transfer request (single) until the signal is acknowledged. After the completion of peripheral transmission, the DMA controller sends the acknowledge signal to the peripheral. The peripheral then releases its request as soon as it receives the acknowledge signal. At the same time, the DMA controller releases the acknowledge signal as well.

9.3.3 Arbiter

When several channels are enabled simultaneously, the arbiter will restart arbitration after full data transfer by the master controller. The channel with very high priority waits until the channel of the master controller has completed data transfers before taking control of it. The master controller will re-arbitrate to serve other channels as long as the channel completes a single transfer based on the master controller priority.

Figure 9-2 Re-arbitrae after request/acknowledge



9.3.4 Programmable data transfer width

Transfer width of the source data and destination data is programmable through the PWIDTH and MWIDTH bits in the DMA_CxCTRL register. When PWIDTH is not equal to MWIDTH, it can be aligned according to the settings of PWIDTH/ MWIDTH.

Figure 9-3 PWIDTH: byte, MWIDTH: half-word

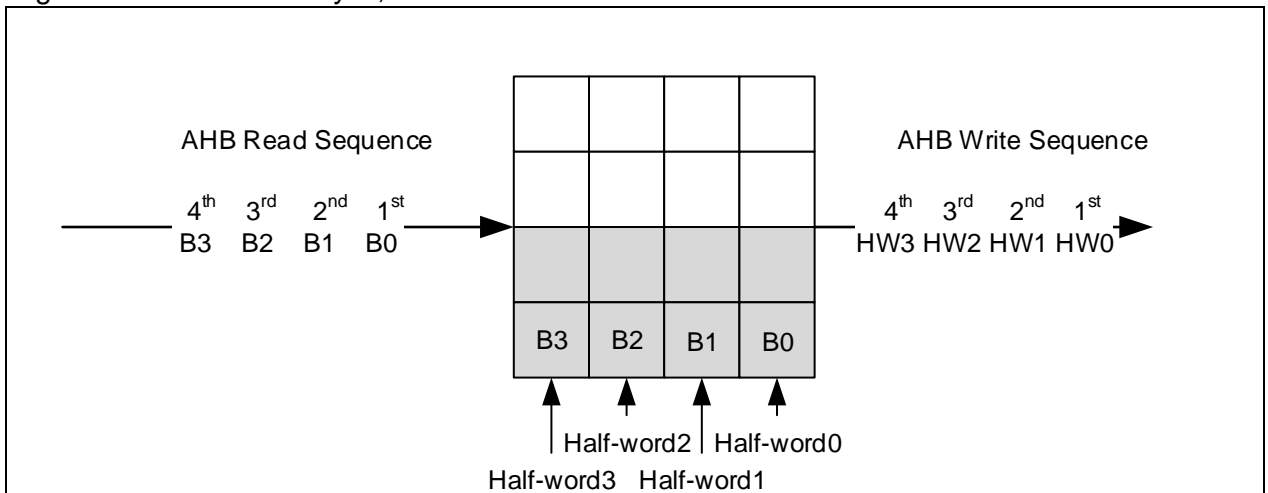


Figure 9-4 PWIDTH: half-word, MWIDTH: word

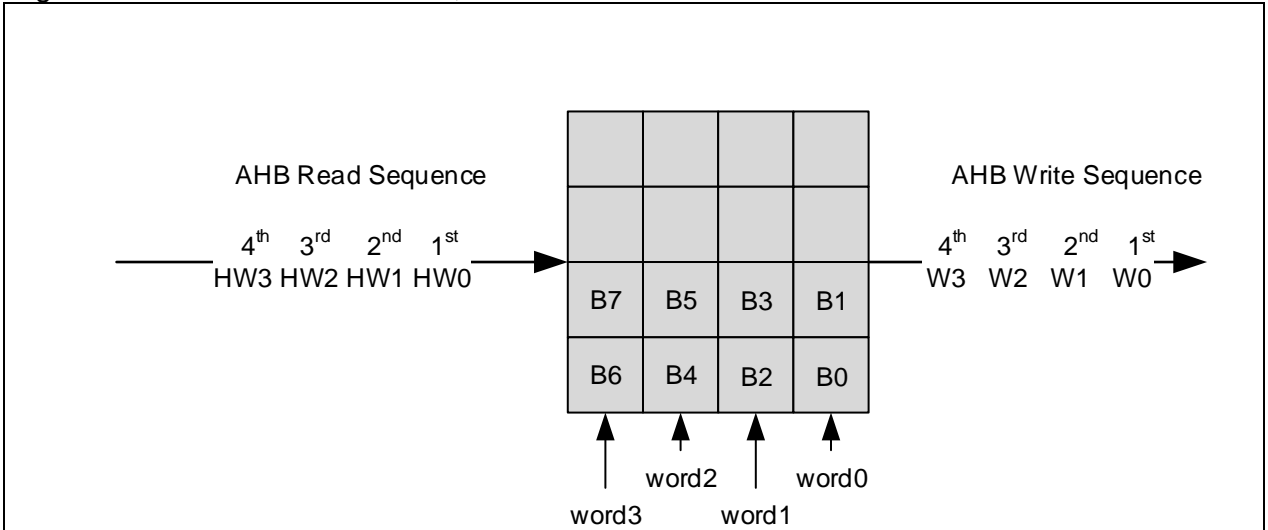
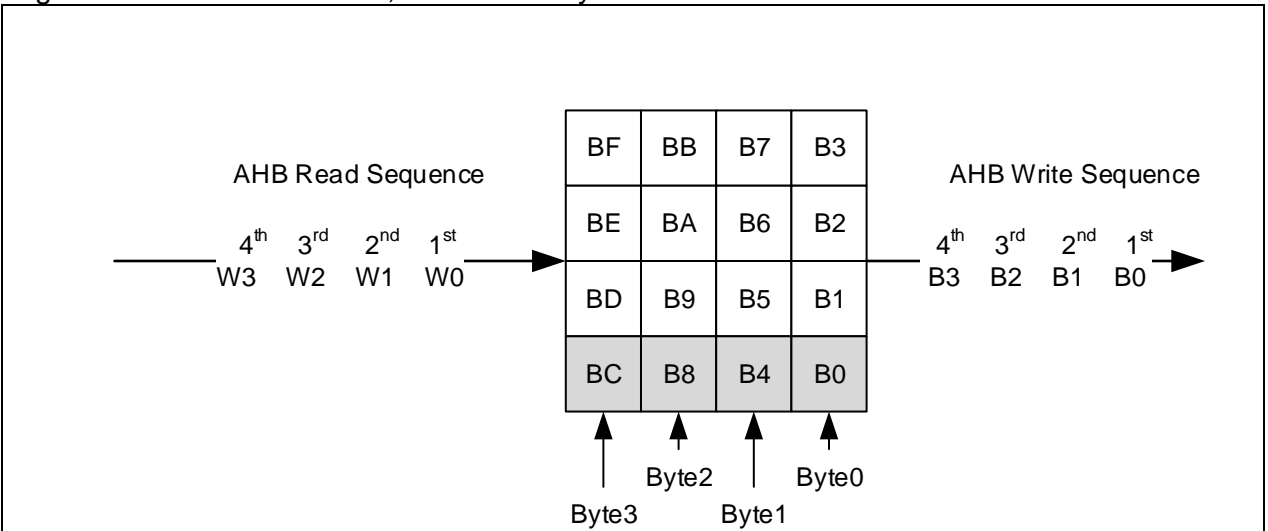


Figure 9-5 PWIDTH: word, MWIDTH: byte



9.3.5 Errors

Table 9-1 DMA error event

Error event	
Transfer error	AHB response error occurred during DMA read/write access

9.3.6 Interrupts

An interrupt can be generated on a DMA half-transfer, transfer complete and transfer error. Each channel has its specific interrupt flag, clear and enable bits, as shown in the table below.

Table 9-2 DMA interrupt requests

Interrupt event	Event flag bit	Clear control bit	Enable control bit
Half transfer	HDTF	HDTFC	HDTIEN
Transfer completed	FDTF	FDTFC	FDTIEN
Transfer error	DTERRF	DTERRFC	DTERRIEN

Note: DMA 2 channel 4/channel 5, channel 6/channel 7 interrupts are mapped onto the same interrupt vector.

9.3.7 Fixed DMA request mapping

Several peripheral requests are mapped to the same DMA channel through logic ORed. This means that only one request can be enabled at a time.

The peripheral DMA requests can be independently activated/de-activated by setting the control bits in the corresponding peripheral registers.

Table 9-3 DMA1 requests for each channel

Peripherals	Channel 1	Channel 2	Channel 3	Channel 4	Channel 5	Channel 6	Channel 7
ADC1	ADC1						
SPI/I ² S		SPI1/I2S1_RX	SPI1/I2S1_TX	SPI2/I2S2_RX	SPI2/I2S2_TX		
USART		USART3_TX	USART3_RX	USART1_TX	USART1_RX	USART2_RX	USART2_TX
I ² C		I2C3_TX	I2C3_RX	I2C2_TX	I2C2_RX	I2C1_TX	I2C1_RX
TMR1		TMR1_CH1	TMR1_CH2	TMR1_CH4 TMR1_TRIG TMR1_HALL	TMR1_UP	TMR1_CH3	
TMR2	TMR2_CH3	TMR2_UP			TMR2_CH1		TMR2_CH2 TMR2_CH4
TMR3		TMR3_CH3	TMR3_CH4 TMR3_UP			TMR3_CH1 TMR3_TRIG	
TMR4	TMR4_CH1			TMR4_CH2	TMR4_CH3		TMR4_UP

Table 9-4 DMA2 requests for each channel

Peripherals	Channel 1	Channel 2	Channel 3	Channel 4	Channel 5	Channel 6	Channel 7
ADC3					ADC3		
SPI/I ² S	SPI3/I2S3_RX X	SPI3/I2S3_TX	SPI4/I2S4_RX	SPI4/I2S4_TX			
UART4			UART4_RX		UART4_TX		
SDIO				SDIO			
SDIO2					SDIO2		
TMR5	TMR5_CH4 TMR5_TRIG	TMR5_CH3 TMR5_UP		TMR5_CH2	TMR5_CH1		
TMR6/ DAC CH1			TMR6_UP/ DAC CH1				
TMR7/ DAC CH2				TMR7_UP/ DAC CH2			
TMR8	TMR8_CH3 TMR8_UP	TMR8_CH4 TMR8_TRIG TMR8_HALL	TMR8_CH1		TMR8_CH2		

9.3.8 Flexible DMA request mapping

In flexible request mapping mode (DMA_FLEX_EN = 1), the request source of each channel is programmed by CHx_SRC [x=1~7]. For example, to specify DMA channel 1 as USART3_TX, and channel 3 as USART3_RX, and others are unused, then it is necessary that DMA_FLEX_EN=1, CH1_SRC=30, CH3_SRC=29 and CH[2/4/5/6/7]_SRC=0.

The table below shows CHx_SRC values and their corresponding request sources.

Table 9-5 Flexible DMA requests for each channel

CHx_SRC	Request source	CHx_SRC	DMA source	CHx_SRC	Request source	CHx_SRC	Request source
0	No select	1	ADC1	2	reserved	3	ADC3
4	reserved	5	DAC1	6	DAC2	7	reserved
8	reserved	9	SPI1_RX	10	SPI1_TX	11	SPI2_RX
12	SPI2_TX	13	SPI3_RX	14	SPI3_TX	15	SPI4_RX
16	SPI4_TX	17	I2S2EXT_RX	18	I2S2EXT_TX	19	I2S3EXT_RX
20	I2S3EXT_TX	21	reserved	22	reserved	23	reserved
24	reserved	25	USART1_RX	26	USART1_TX	27	USART2_RX
28	USART2_TX	29	USART3_RX	30	USART3_TX	31	UART4_RX
32	UART4_TX	33	UART5_RX	34	UART5_TX	35	USART6_RX
36	USART6_TX	37	UART7_RX	38	UART7_TX	39	UART8_RX
40	UART8_TX	41	I2C1_RX	42	I2C1_TX	43	I2C2_RX
44	I2C2_TX	45	I2C3_RX	46	I2C3_TX	47	reserved
48	reserved	49	SDIO1	50	SDIO2	51	reserved
52	reserved	53	TMR1_TRIG	54	TMR1_HALL	55	TMR1_UP
56	TMR1_CH1	57	TMR1_CH2	58	TMR1_CH3	59	TMR1_CH4
60	reserved	61	TMR2_TRIG	62	reserved	63	TMR2_UP
64	TMR2_CH1	65	TMR2_CH2	66	TMR2_CH3	67	TMR2_CH4
68	reserved	69	TMR3_TRIG	70	reserved	71	TMR3_UP
72	TMR3_CH1	73	TMR3_CH2	74	TMR3_CH3	75	TMR3_CH4
76	reserved	77	TMR4_TRIG	78	reserved	79	TMR4_UP
80	TMR4_CH1	81	TMR4_CH2	82	TMR4_CH3	83	TMR4_CH4
84	reserved	85	TMR5_TRIG	86	reserved	87	TMR5_UP
88	TMR5_CH1	89	TMR5_CH2	90	TMR5_CH3	91	TMR5_CH4
92	reserved	93	reserved	94	reserved	95	TMR6_UP
96	reserved	97	reserved	98	reserved	99	reserved
100	reserved	101	reserved	102	reserved	103	TMR7_UP
104	reserved	105	reserved	106	reserved	107	reserved
108	reserved	109	TMR8_TRIG	110	TMR8_HALL	111	TMR8_UP
112	TMR8_CH1	113	TMR8_CH2	114	TMR8_CH3	115	TMR8_CH4
116	reserved	117	reserved	118	reserved	119	reserved
120	reserved	121	reserved	122	reserved	123	reserved
124	reserved	125	reserved	126	reserved	127	reserved
128	reserved	129	reserved	130	reserved	131	reserved
132	reserved	133	reserved	134	reserved	135	reserved
136	reserved	137	reserved	138	reserved	139	reserved

140	reserved	141	reserved	142	reserved	143	reserved
144	reserved	145	reserved	146	reserved	147	reserved
148	reserved	149	reserved	150	reserved	151	reserved
152	reserved	153	reserved	154	reserved	155	reserved
156	reserved	157	reserved	158	reserved	159	reserved
160	reserved	161	reserved	162	reserved	163	reserved
164	reserved	165	reserved	166	reserved	167	reserved
168	reserved	169	reserved	170	reserved	171	reserved
172	reserved	173	reserved	174	reserved	175	reserved

Note: The request mapping mode must be identical for DMA1 and DMA2 (DMA_FLEX_EN must be set either 1 or 0 for both DMA 1 and DMA 2)

9.4 DMA registers

Table 9-6 shows DMA register map and their reset values.

Table 9-6 DMA register map and reset value

Register	Offset	Reset value
DMA_STS	0x00	0x0000 0000
DMA_CLR	0x04	0x0000 0000
DMA_C1CTRL	0x08	0x0000 0000
DMA_C1DTCNT	0x0C	0x0000 0000
DMA_C1PADDR	0x10	0x0000 0000
DMA_C1MADDR	0x14	0x0000 0000
DMA_C2CTRL	0x1C	0x0000 0000
DMA_C2DTCNT	0x20	0x0000 0000
DMA_C2PADDR	0x24	0x0000 0000
DMA_C2MADDR	0x28	0x0000 0000
DMA_C3CTRL	0x30	0x0000 0000
DMA_C3DTCNT	0x34	0x0000 0000
DMA_C3PADDR	0x38	0x0000 0000
DMA_C3MADDR	0x3C	0x0000 0000
DMA_C4CTRL	0x44	0x0000 0000
DMA_C4DTCNT	0x48	0x0000 0000
DMA_C4PADDR	0x4C	0x0000 0000
DMA_C4MADDR	0x50	0x0000 0000
DMA_C5CTRL	0x58	0x0000 0000
DMA_C5DTCNT	0x5C	0x0000 0000
DMA_C5PADDR	0x60	0x0000 0000
DMA_C5MADDR	0x64	0x0000 0000
DMA_C6CTRL	0x6C	0x0000 0000
DMA_C6DTCNT	0x70	0x0000 0000
DMA_C6PADDR	0x74	0x0000 0000
DMA_C6MADDR	0x78	0x0000 0000

DMA_C7CTRL	0x80	0x0000 0000
DMA_C7DTCNT	0x84	0x0000 0000
DMA_C7PADDR	0x88	0x0000 0000
DMA_C7MADDR	0x8C	0x0000 0000
DMA_SRC_SEL0	0xA0	0x0000 0000
DMA_SRC_SEL1	0xA4	0x0000 0000

Note: In the following registers, all bits related to channel 6 and channel 7 are not relevant for DMA 2 fixed request mapping since it has only 5 channels. They are applied to DMA 2 flexible request mapping, instead, supporting up to 7 channels.

9.4.1 DMA interrupt status register (DMA_STS)

Bit	Register	Reset value	Type	Description
31:28	Reserved	0x0	resd	Kept at its default value.
Bit 27	DTERRF7	0x0	ro	Channel 7 data transfer error event flag 0: No transfer error occurred. 1: Transfer error occurred.
Bit 26	HDTF7	0x0	ro	Channel half transfer event flag 0: No half-transfer event occurred. 1: Half-transfer event occurred.
Bit 25	FDTF7	0x0	ro	Channel 7 transfer complete event flag 0: No transfer complete event occurred. 1: Transfer complete event occurred.
Bit 24	GF7	0x0	ro	Channel global event flag 0: No transfer error, half transfer or transfer complete event occurred. 1: Transfer error, half transfer or transfer complete event occurred.
Bit 23	DTERRF6	0x0	ro	Channel 6 data transfer error event flag 0: No transfer error occurred. 1: Transfer error occurred.
Bit 22	HDTF6	0x0	ro	Channel 6 half transfer event flag 0: No half-transfer event occurred. 1: Half-transfer event occurred.
Bit 21	FDTF6	0x0	ro	Channel 6 transfer complete event flag 0: No transfer complete event occurred. 1: Transfer complete event occurred.
Bit 20	GF6	0x0	ro	Channel 6 global event flag 0: No transfer error, half transfer or transfer complete event occurred. 1: Transfer error, half transfer or transfer complete event
Bit 19	DTERRF5	0x0	ro	Channel 5 data transfer error event flag 0: No transfer error occurred. 1: Transfer error occurred.
Bit 18	HDTF5	0x0	ro	Channel 5 half transfer event flag 0: No half-transfer event occurred. 1: Half-transfer event occurred.
Bit 17	FDTF5	0x0	ro	Channel 5 transfer complete event flag 0: No transfer complete event occurred. 1: Transfer complete event occurred.

Bit 16	GF5	0x0	ro	Channel 5 global event flag 0: No transfer error, half transfer or transfer complete event occurred. 1: Transfer error, half transfer or transfer complete event
Bit 15	DTERRF4	0x0	ro	Channel 4 data transfer error event flag 0: No transfer error occurred. 1: Transfer error occurred.
Bit 14	HDTF4	0x0	ro	Channel 4 half transfer event flag 0: No half-transfer event occurred. 1: Half-transfer event occurred.
Bit 13	FDTF4	0x0	ro	Channel 4 transfer complete event flag 0: No transfer complete event occurred. 1: Transfer complete event occurred.
Bit 12	GF4	0x0	ro	Channel 4 global event flag 0: No transfer error, half transfer or transfer complete event occurred. 1: Transfer error, half transfer or transfer complete event
Bit 11	DTERRF3	0x0	ro	Channel 3 data transfer error event flag 0: No transfer error occurred. 1: Transfer error occurred.
Bit 10	HDTF3	0x0	ro	Channel 3 half transfer event flag 0: No half-transfer event occurred. 1: Half-transfer event occurred.
Bit 9	FDTF3	0x0	ro	Channel 3 transfer complete event flag 0: No transfer complete event occurred. 1: Transfer complete event occurred.
Bit 8	GF3	0x0	ro	Channel 3 global event flag 0: No transfer error, half transfer or transfer complete event occurred. 1: Transfer error, half transfer or transfer complete event
Bit 7	DTERRF2	0x0	ro	Channel 2 data transfer error event flag 0: No transfer error occurred. 1: Transfer error occurred.
Bit 6	HDTF2	0x0	ro	Channel 2 half transfer event flag 0: No half-transfer event occurred. 1: Half-transfer event occurred.
Bit 5	FDTF2	0x0	ro	Channel 2 transfer complete event flag 0: No transfer complete event occurred. 1: Transfer complete event occurred.
Bit 4	GF2	0x0	ro	Channel 2 global event flag 0: No transfer error, half transfer or transfer complete event occurred. 1: Transfer error, half transfer or transfer complete event
Bit 3	DTERRF1	0x0	ro	Channel 1 data transfer error event flag 0: No transfer error occurred. 1: Transfer error occurred.
Bit 2	HDTF1	0x0	ro	Channel 1 half transfer event flag 0: No half-transfer event occurred. 1: Half-transfer event occurred.
Bit 1	FDTF1	0x0	ro	Channel 1 transfer complete event flag 0: No transfer complete event occurred. 1: Transfer complete event occurred.

Bit 0	GF1	0x0	ro	Channel 1 global event flag 0: No transfer error, half transfer or transfer complete event occurred. 1: Transfer error, half transfer or transfer complete event
-------	-----	-----	----	--

9.4.2 DMA interrupt flag clear register (DMA_CLR)

Bit	Register	Reset value	Type	Description
31:28	Reserved	0x0	resd	Kept at its default value.
Bit 27	DTERRFC7	0x0	rw1c	Channel 7 data transfer error flag clear 0: No effect 1: Clear the DTERRF flag in the DMA_STS register
Bit 26	HDTFC7	0x0	rw1c	Channel 7 half transfer flag clear 0: No effect 1: Clear the HDTF7 flag in the DMA_STS register
Bit 25	FDTFC7	0x0	rw1c	Channel 7 transfer complete flag clear 0: No effect 1: Clear the FDTF7 flag in the DMA_STS register
Bit 24	GFC7	0x0	rw1c	Channel 7 global interrupt flag clear 0: No effect 1: Clear the DTERRF7, HDTF7, FDTF7 and GF7 flag in the DMA_STS register
Bit 23	DTERRFC6	0x0	rw1c	Channel 6 data transfer error flag clear 0: No effect 1: Clear the DTERRF6 flag in the DMA_STS register
Bit 22	HDTFC6	0x0	rw1c	Channel 6 half transfer flag clear 0: No effect 1: Clear the HDTF6 flag in the DMA_STS register
Bit 21	FDTFC6	0x0	rw1c	Channel 6 transfer complete flag clear 0: No effect 1: Clear the FDTF6 flag in the DMA_STS register
Bit 20	GFC6	0x0	rw1c	Channel 6 global interrupt flag clear 0: No effect 1: Clear the DTERRF6, HDTF6, FDTF6 and GF6 flag in the DMA_STS register
Bit 19	DTERRFC5	0x0	rw1c	Channel 5 data transfer error flag clear 0: No effect 1: Clear the DTERRF5 flag in the DMA_STS register
Bit 18	HDTFC5	0x0	rw1c	Channel 5 half transfer flag clear 0: No effect 1: Clear the HDTF5 flag in the DMA_STS register
Bit 17	FDTFC5	0x0	rw1c	Channel 5 transfer complete flag clear 0: No effect 1: Clear the FDTF5 flag in the DMA_STS register
Bit 16	GFC5	0x0	rw1c	Channel 5 global interrupt flag clear 0: No effect 1: Clear the DTERRF5, HDTF5, FDTF5 and GF5 in the DMA_STS register
Bit 15	DTERRFC4	0x0	rw1c	Channel 4 data transfer error flag clear 0: No effect 1: Clear the DTERRF4 flag in the DMA_STS register
Bit 14	HDTFC4	0x0	rw1c	Channel 4 half transfer flag clear 0: No effect 1: Clear the HDTF4 flag in the DMA_STS register

Bit 13	FDTFC4	0x0	rw1c	Channel 4 transfer complete flag clear 0: No effect 1: Clear the FDTF4 flag in the DMA_STS register
Bit 12	GFC4	0x0	rw1c	Channel 4 global interrupt flag clear 0: No effect 1: Clear the DTERRF4, HDTF4, FDTF4 and GF4 flag in the DMA_STS register
Bit 11	DTERRFC3	0x0	rw1c	Channel 7 data transfer error flag clear 0: No effect 1: Clear the DTERRF7 flag in the DMA_STS register
Bit 10	HDTFC3	0x0	rw1c	Channel 7 half transfer flag clear 0: No effect 1: Clear the HDTF7 flag in the DMA_STS register
Bit 9	FDTFC3	0x0	rw1c	Channel 3 transfer complete flag clear 0: No effect 1: Clear the FDTF3 flag in the DMA_STS register
Bit 8	GFC3	0x0	rw1c	Channel 3 global interrupt flag clear 0: No effect 1: Clear the DTERRF3, HDTF3, FDTF3 and GF3 flag in the DMA_STS register
Bit 7	DTERRFC2	0x0	rw1c	Channel 2 data transfer error flag clear 0: No effect 1: Clear the DTERRF2 flag in the DMA_STS register
Bit 6	HDTFC2	0x0	rw1c	Channel 2 half transfer flag clear 0: No effect 1: Clear the HDTF2 flag in the DMA_STS register
Bit 5	FDTFC2	0x0	rw1c	Channel 2 transfer complete flag clear 0: No effect 1: Clear the FDTF2 flag in the DMA_STS register
Bit 4	GFC2	0x0	rw1c	Channel 2 global interrupt flag clear 0: No effect 1: Clear the DTERRF2, HDTF2, FDTF2 and GF2 in the DMA_STS register
Bit 3	DTERRFC1	0x0	rw1c	Channel 1 data transfer error flag clear 0: No effect 1: Clear the DTERRF1 flag in the DMA_STS register
Bit 2	HDTFC1	0x0	rw1c	Channel 1 half transfer flag clear 0: No effect 1: Clear the HDTF1 flag in the DMA_STS register
Bit 1	FDTFC1	0x0	rw1c	Channel 1 transfer complete flag clear 0: No effect 1: Clear the FDTF1 flag in the DMA_STS register
Bit 0	GFC1	0x0	rw1c	Channel 1 global interrupt flag clear 0: No effect 1: Clear the DTERRF1, HDTF1, FDTF1 and GF1 in the DMA_STS register

9.4.3 DMA channelx configuration register (DMA_CxCTRL) (x = 1...7)

Bit	Register	Reset value	Type	Description
Bit 31: 15	Reserved	0x00000	resd	Kept at its default value.
Bit 14	M2M	0x0	rw	Memory to memory mode 0: Disabled 1: Enabled.
Bit 13: 12	CHPL	0x0	rw	Channel priority level 00: Low 01: Medium 10: High 11: Very high
Bit 11: 10	MWIDTH	0x0	rw	Memory data bit width 00: 8 bits 01: 16 bits 10: 32 bits 11: Reserved
Bit 9: 8	PWIDTH	0x0	rw	Peripheral data bit width 00: 8 bits 01: 16 bits 10: 32 bits 1: Reserved
Bit 7	MINCM	0x0	rw	Memory address increment mode 0: Disabled 1: Enabled.
Bit 6	PINCM	0x0	rw	Peripheral address increment mode 0: Disabled 1: Enabled.
Bit 5	LM	0x0	rw	Circular mode 0: Disabled 1: Enabled.
Bit 4	DTD	0x0	rw	Data transfer direction 0: Read from peripherals 1: Read from memory
Bit 3	DERRIEN	0x0	rw	Data transfer error interrupt enable 0: Disabled 1: Enabled.
Bit 2	HDTIEN	0x0	rw	Half-transfer interrupt enable 0: Disabled 1: Enabled.
Bit 1	FDTIEN	0x0	rw	Transfer complete interrupt enable 0: Disabled 1: Enabled.
Bit 0	CHEN	0x0	rw	Channel enable 0: Disabled 1: Enabled.

9.4.4 DMA channelx number of data register (DMA_CxDTCNT) (x = 1...7)

Bit	Register	Reset value	Type	Description
Bit 31:16	Reserved	0x0000	resd	Kept at its default value.
Bit 15:0	CNT	0x0000	rw	<p>Number of data to transfer</p> <p>The number of data to transfer is from 0x0 to 0xFFFF. This register can only be written when the CHEN bit in the corresponding channel is set 0. The value is decremented after each DMA transfer.</p> <p>Note: This register holds the number of data to transfer, instead of transfer size. The transfer size is calculated by data width.</p>

9.4.5 DMA channelx peripheral address register (DMA_CxPADDR) (x = 1...7)

Bit	Register	Reset value	Type	Description
Bit 31:0	PADDR	0x0000 0000	rw	<p>Peripheral base address</p> <p>Base address of peripheral data register is the source or destination of data transfer.</p> <p>Note: The register can only be written when the CHEN bit in the corresponding channel is set 0.</p>

9.4.6 DMA channelx memory address register (DMA_CxMADDR) (x = 1...7)

Bit	Register	Reset value	Type	Description
Bit 31:0	MADDR	0x0000 0000	rw	<p>Memory base address</p> <p>Memory address is the source or destination of data transfer.</p> <p>Note: The register can only be written when the CHEN bit in the corresponding channel is set 0.</p>

9.4.7 Channel source register (DMA_SRC_SEL0)

Bit	Register	Reset value	Type	Description
Bit 31:24	CH4_SRC	0x00	rw	<p>CH4 source select</p> <p>When DMA_FLEX_EN=1, CH4_SRC selects channel 4 source, please refer to 9.3.8 Flexible DMA request mapping</p>
Bit 23:16	CH3_SRC	0x00	rw	<p>CH3 source select</p> <p>When DMA_FLEX_EN=1, CH3_SRC selects channel 3 source, please refer to 9.3.8 Flexible DMA request mapping</p>
Bit 15:8	CH2_SRC	0x00	rw	<p>CH2 source select</p> <p>When DMA_FLEX_EN=1, CH2_SRC selects channel 2 source, please refer to 9.3.8 Flexible DMA request mapping</p>
Bit 7:0	CH1_SRC	0x00	rw	<p>CH1 source select</p> <p>When DMA_FLEX_EN=1, CH1_SRC selects channel 1 source, please refer to 9.3.8 Flexible DMA request mapping</p>

9.4.8 Channel source register1 (DMA_SRC_SEL1)

Bit	Register	Reset value	Type	Description
Bit 31: 25	Reserved	0x00	resd	Kept at its default value.
Bit 24	DMA_FLEX_EN:	0x0	rw	DMA flexible request mapping enable 0: DMA fixed request mapping mode 1: DMA flexible request mapping mode
Bit 23: 16	CH7_SRC	0x00	rw	CH7 source select When DMA_FLEX_EN=1, CH7_SRC selects channel 7 source, please refer to 9.3.8 Flexible DMA request mapping
Bit 15: 8	CH6_SRC	0x00	rw	CH6 source select When DMA_FLEX_EN=1, CH6_SRC selects channel 6 source, please refer to 9.3.8 Flexible DMA request mapping
Bit 7: 0	CH5_SRC	0x00	rw	CH5 source select When DMA_FLEX_EN=1, CH5_SRC selects channel source, please refer to 9.3.8 Flexible DMA request mapping

10 CRC calculation unit (CRC)

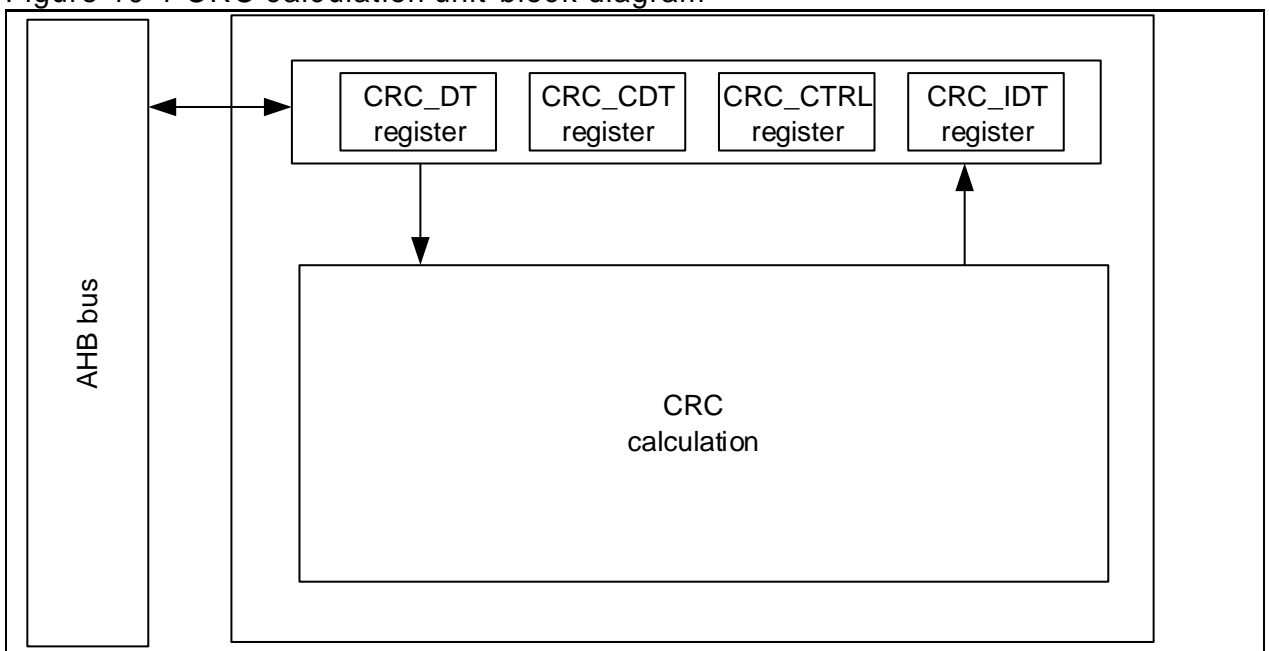
10.1 CRC introduction

The Cyclic Redundancy Check (CRC) is an independent peripheral with CRC check feature. It follows CRC32/MPEG-2 standard.

The CRC_CTRL register is used to select output data reverse (word, REVOD=1) or input data reverse (byte, REVID=01; half-word, REVID=0; REVID=11). CRC calculation unit is also equipped with initialization function. After each CRC reset, the value in the CRC_IDT register is loaded with data register (CRC_DT) by CRC.

Users can write the data to go through CRC check and read the calculated result through CRC_DT register. Note that the calculation result is the combination of the previous result and the current value to be calculated.

Figure 10-1 CRC calculation unit block diagram



Main features

- Use CRC-32 code
- 4 HCLK cycles for each CRC calculation
- Support input/output data format toggle
- Perform write/read operation through CRC_DT register
- Set an initialization value with the CRC_IDT register. The value is loaded with CRC_DT register after each CRC reset.

10.2 CRC functional description

According to CRC calculation principle: the input data is taken as dividend, and the generator polynomial as a division. Using mod 2 division logic, the input data divided by the generator polynomial gets a remainder, that is, the CRC value.

CRC calculation procedure

- Input data reverse. After data input, reverse input data depending on the REVID value in CRC_CTRL register
- Initialization. The first data input needs to be XOR-ed with the initial value defined in the CRC_IDT register. If it is not the first data input, the initial value is the previously calculated result.
- CRC calculation. Dividing the input data by the generator polynomial (0x4C11DB7) using mod 2 division method produces a remainder, that is, CRC value.

- Output data toggle. Select whether to perform word toggle before output CRC value through the REVOD bit in the CRC_CTRL register

CRC-32/MPEG-2 parameters

- Generator polynomial: 0x4C11DB7

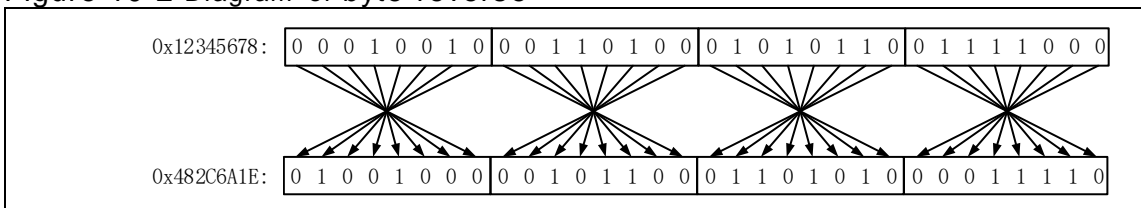
that is, $X^{32} + X^{26} + X^{23} + X^{22} + X^{16} + X^{12} + X^{11} + X^{10} + X^8 + X^7 + X^5 + X^4 + X^2 + X + 1$

- Initial value: 0xFFFF FFFF, in order to avoid that 1-byte 0x00 data to be calculated has the same result as that of multiple-byte 0x00.
- XOR-ed value: 0x0000 0000, indicating that the CRC result will not be XOR-ed.

Toggle function

- Byte reverse, 8 bits in a group, and sequence is reversed within a group. As shown in figure below, if the original data is 0x12345678, it is reversed as 0x482C6A1E.
- Half-word reverse, 16 bits in a group, and sequence is reversed within a group
- Word reverse, 32 bits in a group, and sequence is reversed within a group

Figure 10-2 Diagram of byte reverse



10.3 CRC registers

Table 10-1 CRC register map and reset value

Register	Offset	Reset value
CRC_DT	0x00	0xFFFF FFFF
CRC_CDT	0x04	0x0000 0000
CRC_CTRL	0x08	0x0000 0000
CRC_IDT	0x10	0xFFFF FFFF

10.3.1 Data register (CRC_DT)

Bit	Register	Reset value	Type	Description
Bit 31: 0	DT	0xFFFF FFFF	rw	Data register bits Used as input register when writing new data. Return CRC calculation results when it is read.

10.3.2 Common data register (CRC_CDT)

Bit	Register	Reset value	Type	Description
Bit 31: 8	Reserved	0x000000	resd	Kept at its default value. Reverse output data
Bit 7	REVOD	0x0	resd	Set and cleared by software. This bit is used to control whether to reverse output data. 0: No effect 1: Word reverse
Bit 6: 5	REVID	0x0	rw	Reverse input data Set and cleared by software. This bit is used to control how to reverse input data. 00: No effect 01: Byte reverse 10: Half-word reverse 11: Word reverse
Bit 4: 1	Reserved	0x0	resd	Kept at its default value.

Bit 0	RST	0x0	rw	Reset CRC calculation unit Set by software. Cleared by hardware. To reset CRC calculation unit, the data register is set as 0xFFFF FFFF. 0: No effect 1: Reset
-------	-----	-----	----	---

10.3.3 Control register (CRC_CTRL)

Bit	Register	Reset value	Type	Description
Bit 31: 8	Reserved	0x000000	resd	Kept at its default value.
Bit 7	REVOD	0x0	resd	Reverse output data Set and cleared by software. This bit is used to control whether to reverse output data. 0: No effect 1: Word reverse
Bit 6: 5	REVID	0x0	rw	Reverse input data Set and cleared by software. This bit is used to control how to reverse input data. 00: No effect 01: Byte reverse 10: Half-word reverse 11: Word reverse
Bit 4: 1	Reserved	0x0	resd	Kept at its default value.
Bit 0	RST	0x0	rw	Reset CRC calculation unit Set by software. Cleared by hardware. To reset CRC calculation unit, the data register is set as 0xFFFF FFFF. 0: No effect 1: Reset

10.3.4 Initialization register (CRC_IDT)

Bit	Register	Reset value	Type	Description
Bit 31: 0	IDT	0xFFFF FFFF	rw	Initialization data register When CRC reset is triggered by the RST bit in the CRC_CTRL register, the value in the initialization register is written into the CRC_DT register as an initial value.

11 I²C interface

11.1 I²C introduction

I²C (inter-integrated circuit) bus interface manages the communication between the microcontroller and serial I²C bus. It supports master and slave modes, with up to 400 kbit/s of communication speed.

11.2 I²C main features

- I²C bus
 - Master and slave modes
 - Multimaster capability
 - Stand speed (100 kHz) and fast speed (400 kHz)
 - 7-bit and 10-bit address modes
 - Broadcast call mode
 - Status flag
 - Error flag
 - Clock stretching capability
 - Communication event interrupts
 - Error interrupts
- Support DMA transfer
- Support partial SMBus2.protocol
 - PEC generation and verification
 - SMBus reminder function
 - ARP(address resolution protocol)
 - Timeout mechanism
- PMBus

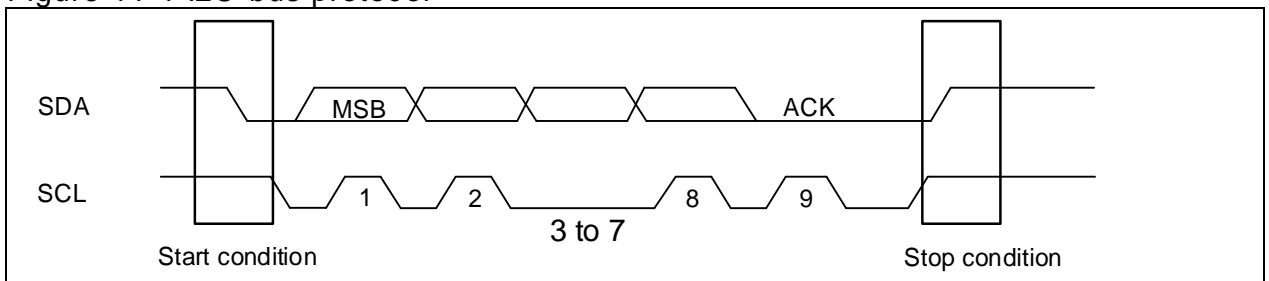
11.3 I²C function overview

I²C bus consists of a data line (SDA) and clock line (SCL). It can achieve a maximum of 100 kHz speed in standard mode, while up to 400kHz in fast mode. A frame of data transmission begins with a Start condition and ends with a Stop condition. The bus is kept in busy state after receiving the Start condition, and becomes idle as long as it receives the Stop condition.

Start condition: SDA switches from high to low when SCL is set high.

Stop condition: SDA switches from low to high when SCL is set high.

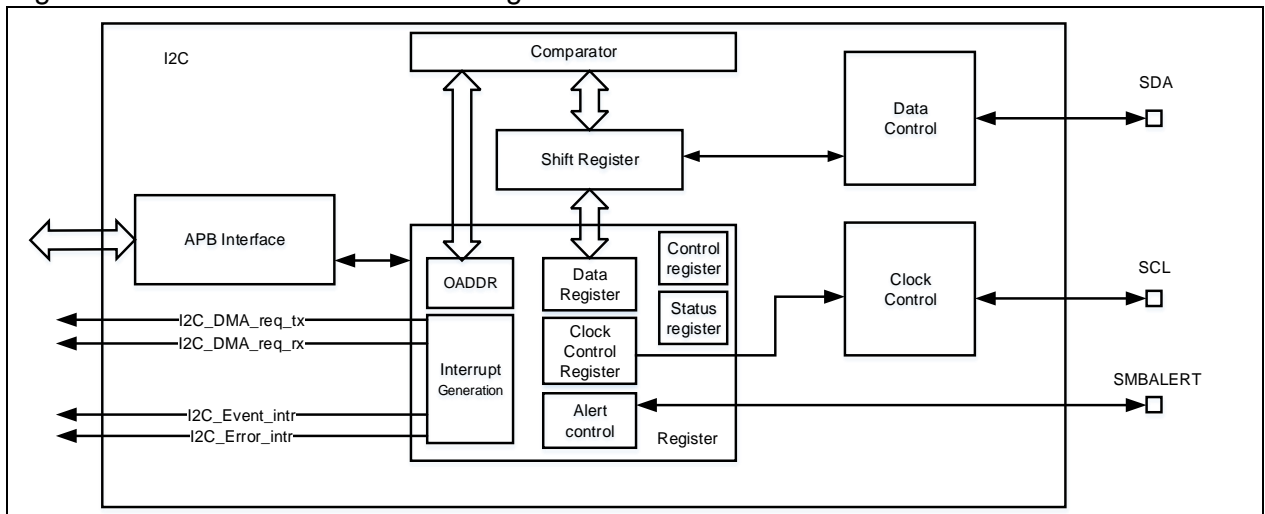
Figure 11-1 I²C bus protocol



11.4 I²C interface

Figure 11-2 shows the block diagram of I²C function

Figure 11-2 I2C function block diagram



1. I²C clock

I²C is clocked by either APB1 or APB2. The I²C clock division is achieved by setting the CLKFREQ[7: 0] in the I2C_CTRL2 register. The minimum clock frequency varies from one mode to another, that is, at least 2 MHz in standard mode, but 4 MHz in fast mode.

2. Operation mode

I²C bus interface can operate both in master mode and slave mode. Switching from master mode to slave mode, vice versa, is supported as well. By default, the interface operates in slave mode. When GENSTART=1 is set (Start condition is activated), the I²C bus interface switches from slave mode to master mode, and returns to slave mode automatically at the end of data transfer (Stop condition is triggered).

- Master transmitter
- Master receiver
- Slave transmitter
- Slave receiver

3. Communication process

- Master mode communication:
 1. Start condition generation
 2. Address transmission
 3. Data Tx or Rx
 4. Stop condition generation
 5. End of communication
- Slave mode communication:
 1. Wait until the address is matched.
 2. Data Tx or Rx
 3. Wait for the generation of Stop condition
 4. End of communication

4. Address control

Both master and slave support 7-bit and 10-bit addressing modes.

Slave address mode:

- In 7-bit mode
 - ADDR2EN=0 stands for single address mode: only match OADDR1
 - DUALEN=1 stands for dual address mode: match OADDR1 and OADDR2

- In 10-bit mode
 - Only match OADDR1

Support special slave address:

- Broadcast call address (0b0000000x): This address is enabled when GCAEN=1.
- SMBus device default address (0b1100001x): This address is enabled for SMBus address resolution protocol in SMBus device mode.
- SMBus master default address (0b0001000x): This address is enabled for SMBus master notification protocol in SMBus master mode.
- SMBus alert address (0b0001100x): This address is enabled for SMBus alert response address protocol in SMBus master mode when SMBALERT = 1

Refer to SMBus2.0 protocol for more information.

Slave address matching procedure:

- Receive Start condition
- Address matching
- The slave sends ACK if address is matched.
- ADDR7F is set 1, with DIRF indicating the transmission direction
 - When DIRF=0, slave enters receiver mode, starting receiving data.
 - When DIRF=1, slave enters transmitter mode, starting transmitting data

5. Clock stretching capability

Clock stretching is enabled by setting the STRETCH bit in the I2C_CTRL1 register. Once enabled, when the slave cannot process data in a timely manner on certain conditions, it will pull down SCL line to low level to stop communication in order to prevent data lost.

- Transmitter mode:
 - Clock stretching enable: If no data is written to the I2C_DT register before the next byte transmission (the first SCL rising edge of the next data), the I²C interface will pull down SCL bus and wait until the data is written to the I2C_DT
 - Clock stretching disable: if no data is written to the I2C_DT register before the next byte transmission (the first SCL rising edge of next data), an underrun error will happen.
- Receiver mode
 - Clock stretching enable: When the shift register has received another byte before the data in the I2C_DT register is read, the I²C will hold the SCL bus low to wait for the software to read I2C_DT register
 - Clock stretching disable: The data in the I2C_DT register is not yet read when the shift register receives another byte. In this case, if another data is received, an overrun error occurs.

11.4.1 I²C slave communication flow

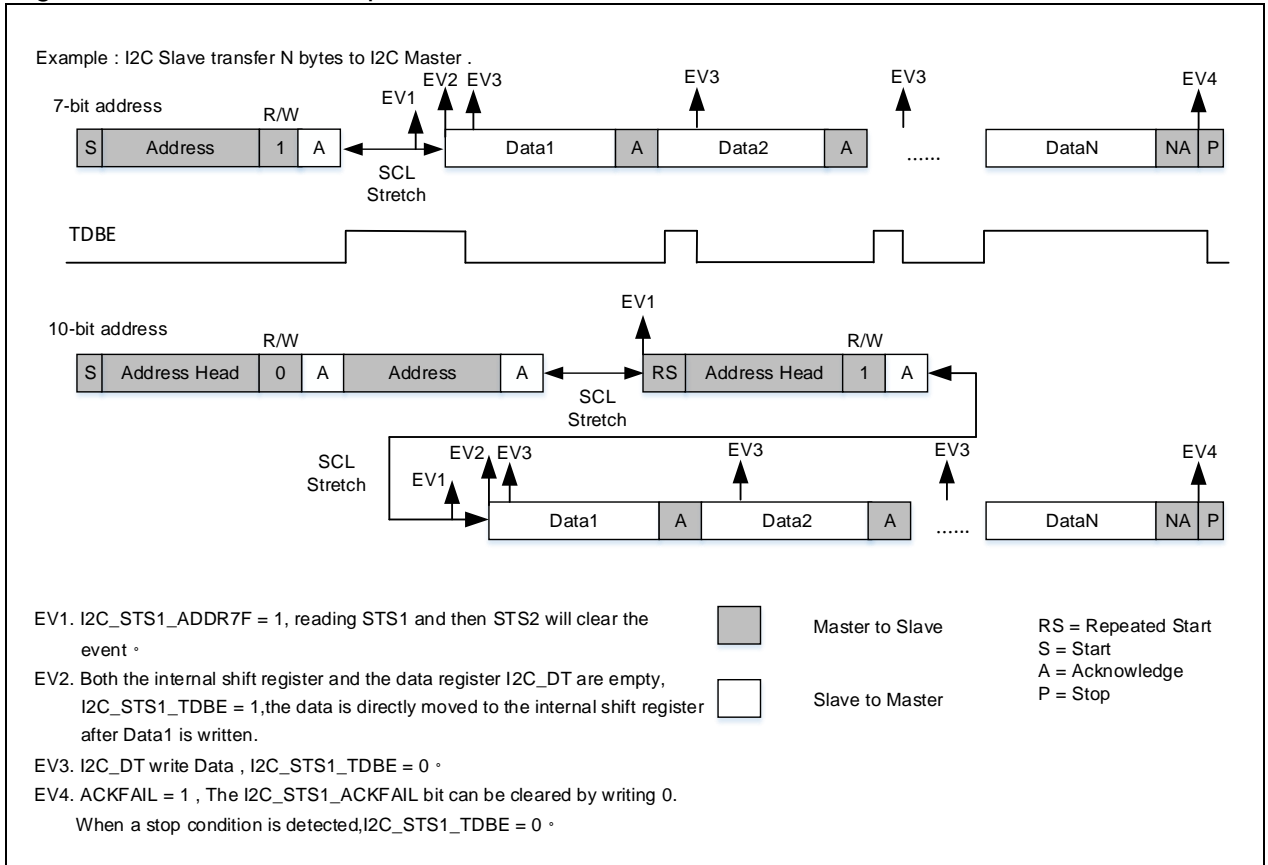
Initialization

Enable I²C peripheral clock, and configure the clock-related bits in the I2C_CTRL2 register for a correct timing, and then wait for I²C master to send a Start condition.

Transmitter

Figure 11-3 shows the transfer sequence of slave transmitter.

Figure 11-3 Transfer sequence of slave transmitter



7-bit address mode :

1. Wait for the master to send addresses
2. EV1: Address is matched (ADDR7F=1), and then the slave pulls the SCL bus low. Read STS1 and then STS2 by software will clear the ADDR7F bit. At this point, it enters transmission stage, in which both DT register and internal shift register are empty. The TDBE bit is set 1 by hardware.
3. EV2: When the data is written to the DT register, it is directly moved to the shift register and the SCL bus is released. The TDBE bit is still set 1 at this time.
4. EV3: At this point, the DT register is empty, but the shift register is not. Writing to the DT register will clear the TDBE bit.
5. EV4: After receiving the ACKFAIL event from the master, the ACKFIAL=1. Writing 0 to the ACKFIAL will clear the event.
6. End of communication.

10-bit address mode :

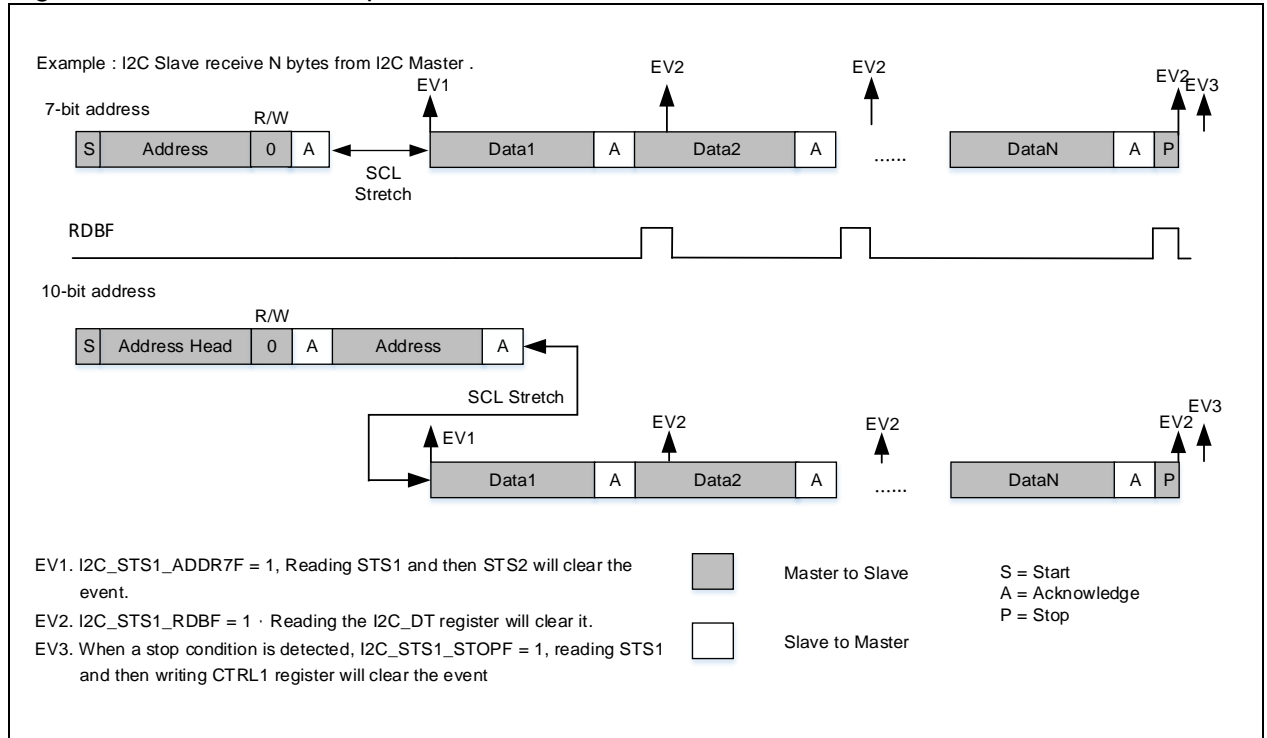
1. Wait for the master to send address
2. EV1: Address is matched (ADDR7F=1), and then the slave pulls the SCL bus low. Read STS1 and then STS2 by software will clear the ADDR7F bit. Wait for the master to re-send Start condition.
3. EV1: Address is matched (ADDR7F=1). Read STS1 and then STS2 will re-clear the ADDR7F bit. At this point, it enters transmission stage. Both DT register and shift register are empty. The TDBE is set 1 by hardware.

4. EV2: When the data is written to DT register, it is directly moved to the shift register, and SCL bus is released. The TDBE is still set 1 at this time.
5. EV3: At this point, the DT register is empty but the shift register is not. Writing to the DT register will clear the TDBE bit.
6. EV4: After receiving the ACKFAIL event from the master, ACKFIAL=1. Writing 0 to the ACKFIAL bit will clear the event.
7. End of communication.

Slave receiver

Figure 11-4 shows the transfer sequence of slave receiver.

Figure 11-4 Transfer sequence of slave receiver



7-bit address mode :

1. Wait for the master to send address.
2. EV1: Address is matched (ADDR7F=1), and the slave pulls the SCL bus low. Read STS1 and then STS2 by software will clear the ADDR7F bit. At this point, the SCL bus is released, and enters receive stage.
3. The internal shift register receives the bus data and stores it to DT register.
4. EV2: After receiving the byte, the RDBF bit is set 1. Read the I2C_DT register will clear the RDBF bit.
5. EV3: After receiving the Stop condition from the master, STOPF=1. Read STS1 and then write to CTRL1 register will clear the event.
6. End of communication.

10-bit address mode :

1. Wait for the master to send address.
2. EV1: Address is matched (ADDR7F=1). The slave pulls the SCL bus low. Read STS1 and then STS2 by software will clear the ADDR7F bit. At this point, the SCL bus is released, and enters receive stage.
3. The internal shift register receives the bus data and stores it to DT register.
4. EV2: After receiving the byte, the RDBF bit is set 1. Read the I2C_DT register will clear the RDBF bit.

5. EV3: After receiving the Stop condition from the master, STOPF=1. Read STS1 and then write to CTRL1 register will clear the event.
6. End of communication.

11.4.2 I²C master communication flow

Initialization

1. Program input clock to generate correct timing through the CLKFREQ bit in the I2C_CTRL2 register;
2. Program I²C communication speed through the I2C_CLKCTRL bit in the clock control register;
3. Program the maximum rising time of bus through the I2C_TMRISE register;
4. Program the control register1 I2C_CTRL1;
5. Enable peripherals, if the GENSTART bit is set, a Start condition is generated on the bus, and the device enters master mode.

Slave address transmission

Slave address is divided into 7-bit and 10-bit modes. Whether it is transmitter mode or receiver mode depends on the lowest address bit.

- 7-bit address mode:

Transmitter: When the lowest bit of the address sent is 0, the master enters transmitter mode.

Receiver: When the lowest bit of the address sent is 1, the master enters receiver mode.

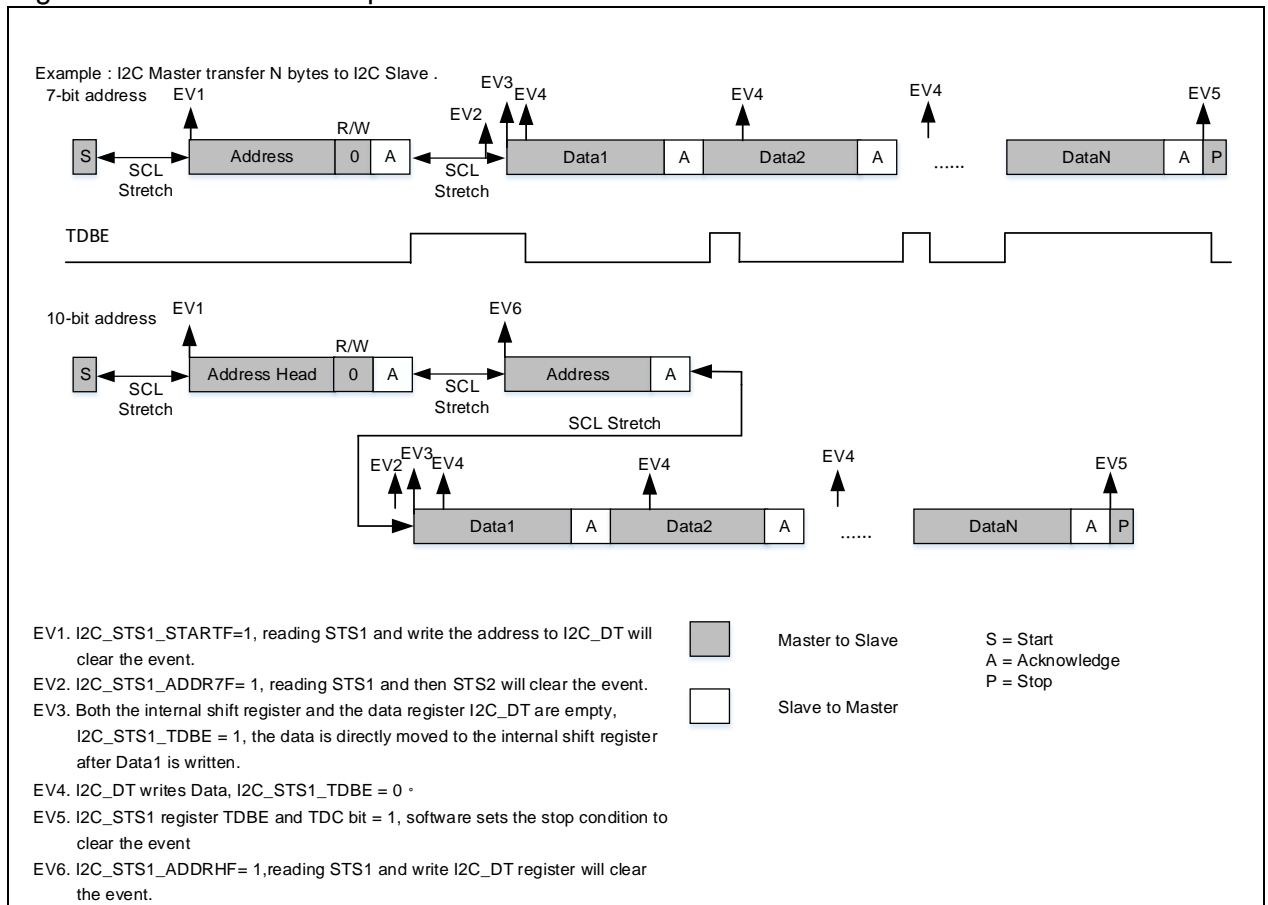
- 10-bit address mode:

Transmitter: First send address head 0b11110xx0 (where xx refers to address [9: 8]), and then slave address [7: 0], the master enters transmitter mode.

Receiver: First send slave address head 0b11110xx0 (where xx refers to address [9:8]) and then address [7: 0], followed by the address head 0b11110xx1 (where xx refers to address [9: 8]), the master enters receiver mode.

Master transmitter

Figure 11-5 Transfer sequence of master transmitter



● 7-bit address mode:

1. Generate a Start condition (GENSTART=1)
2. EV1: Start condition is ready (STARTF=1). Read STS1 and write the address to DT register.
3. EV2: Address is matched successfully (ADDR7F=1). Read STS1 and then STS2 will clear the ADDR7F bit. In this case, the master enters transmit stage, and both DT register and internal shift register are empty. The TDBE bit is set 1 by hardware.
4. EV3: When the data is written to the DT register, it is directly moved to the shift register and the SCL bus is released. The TDBE bit is still set 1 at this time.
5. EV4: At this point, the DT register is empty but the shift register is full. Writing to the DT register will clear the TDBE bit.
6. The TDBE bit is set only after the second-to-last byte is sent.
7. EV5: TDC=1 indicates that the byte transmission is complete. The master sends Stop condition (STOPF=1). The TDBE bit and TDC bit is cleared by hardware.
8. End of communication.

● 10-bit address mode:

1. Generate Start condition (GENSTART=1)
2. EV1: Start condition is ready (STARTF=1). Read STS1 and write the address to DT register.
3. EV6: 10-bit address head sequence is sent. Read STS1 and write to DT register can clear the ADDRHF bit.
4. EV2: Address is matched successfully (ADDR7F=1). Read STS1 and then STS2 will clear the ADDR7F bit. In this case, the master enters transmit stage, and both DT register and internal shift register are empty. The TDBE bit is set 1 by hardware.
5. EV3: When the data is written to the DT register, it is directly moved to the shift register and the SCL bus is released. The TDBE bit is still set 1 at this time.

6. EV4: At this point, the DT register is empty but the shift register is full. Writing to the DT register will clear the TDBE bit.
7. The TDBE bit is set only after the second-to-last byte is sent.
8. EV5: TDC=1 indicates that the byte transmission is complete. The master sends Stop condition (STOPF=1). The TDBE bit and TDC bit is cleared by hardware.
9. End of communication.

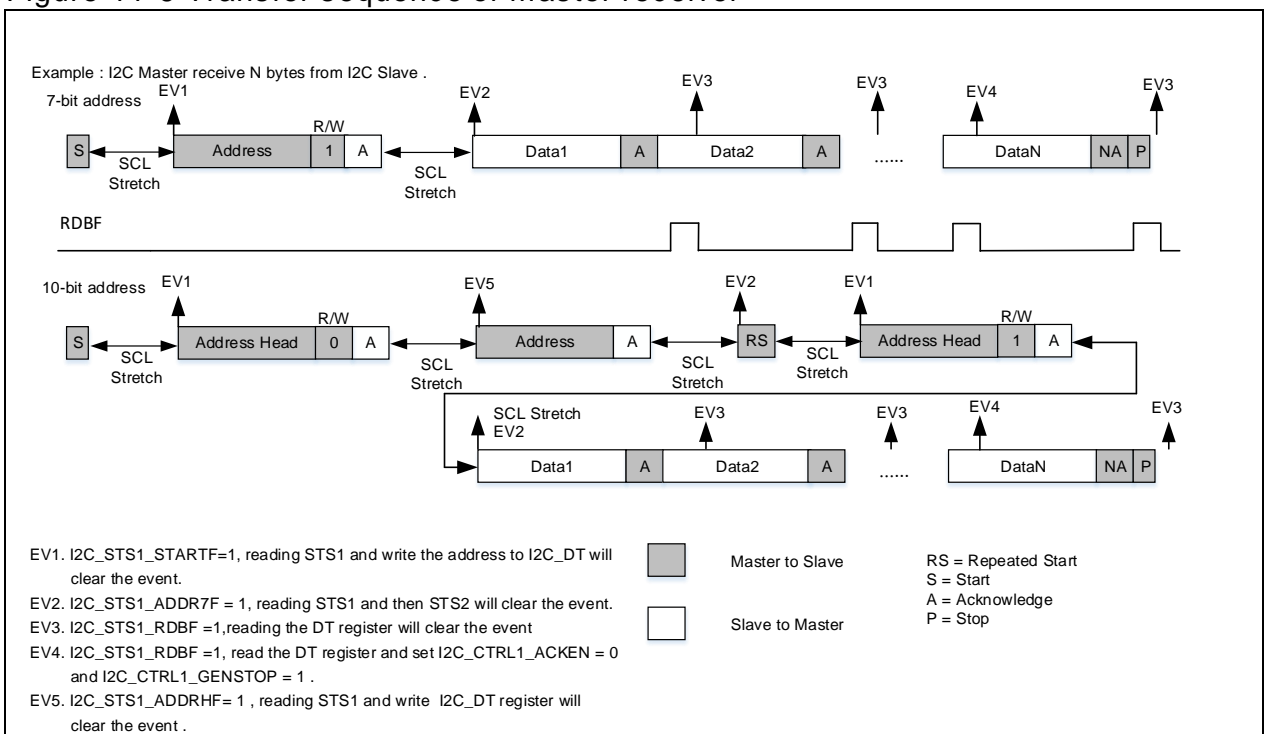
Master receiver

Data reception depends on I²C interrupt priority:

1. Very high priority

- When the second-to-last byte is being read, clear the ACKEN bit and set the GENSTOP bit in the I2C_CTRL1 register to generate Stop condition.
- If only one byte is received, clear the ADDR7F flag and set the ACKEN and GENSTOP bit in the I2C_CTRL1 register.
- After the byte is received, the I2C_STS1_RDBF bit is set 1 by hardware, and it is cleared after the software read the I2C_DT register.

Figure 11-6 Transfer sequence of master receiver



● 7-bit address mode:

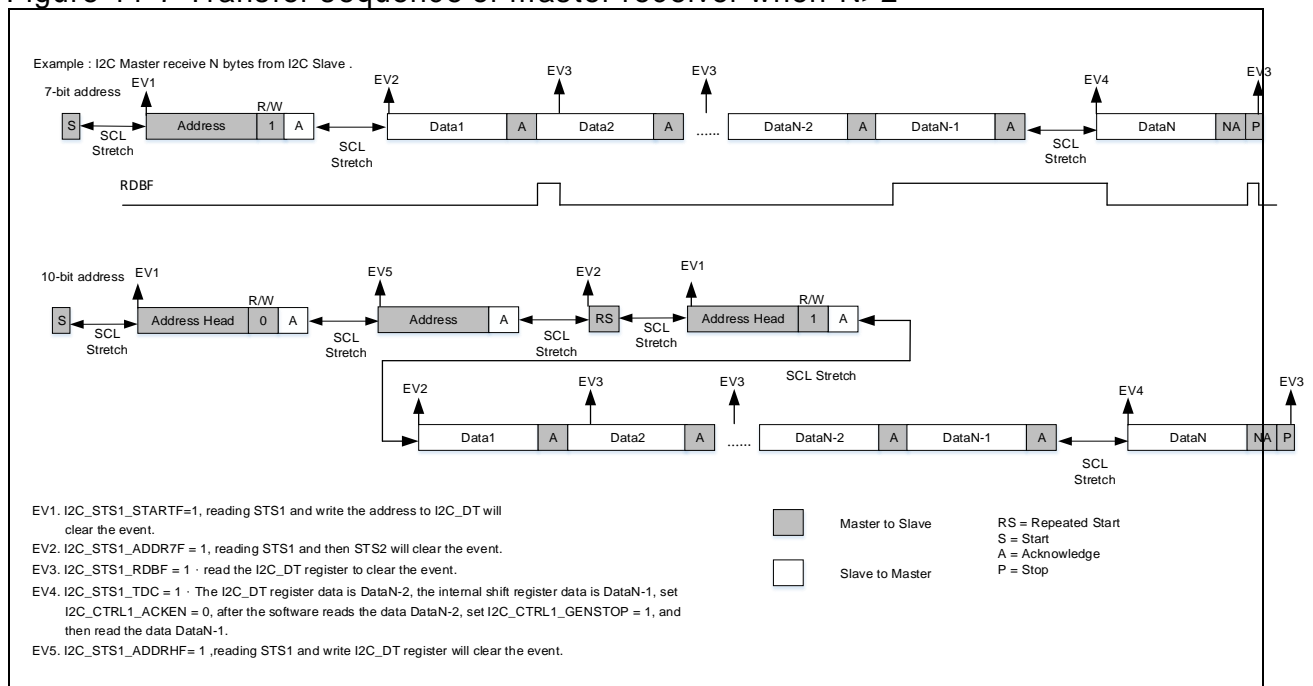
1. Generate a Start condition (GENSTART=1)
2. EV1: Start condition is ready (STARTF=1). Read STS1 and write the address to DT register.
3. EV2: Address is matched successfully (ADDR7F=1). Read STS1 and then STS2 will clear the ADDR7F bit. In this case, the master enters receive stage.
4. EV3: The RDBF bit is set 1 after the byte is received. It is cleared when the I2C_DT register is read.
5. EV4: The ACKEN bit is cleared and the GENSTOP is set as soon as the second-to-last byte is received.
6. EV3: The RDBF bit is set 1 after receiving the byte, and it is cleared when the I2C_DT register is read.
7. End of communication.

● 10-bit address mode:

1. Generate Start condition (GENSTART=1)

2. EV1: Start condition is ready (STARTF=1). Read STS1 and write the address to DT register.
 3. EV5: 10-bit address head sequence is sent. Read STS1 and write to DT register can clear the ADDRHF bit.
 4. EV2: Address is matched successfully (ADDR7F=1). Read STS1 and then STS2 will clear the ADDR7F bit, and the master re-send Start condition (GENSTART=1).
 5. EV1: Start condition is ready (STARTF=1). Read STS1 and write the address to DT register.
 6. EV2: Address is matched successfully (ADDR7F=1). Read STS1 and then STS2 will clear the ADDR7F bit. The master enters receive stage at this time.
 7. EV3: The RDBF bit is set 1 after receiving the byte, and it is cleared when the I2C_DT register is read.
 8. EV4: The ACKEN bit is cleared and the GENSTOP is set as soon as the second-to-last byte is received.
 9. EV3: The RDBF bit is set 1 after receiving the byte, and it is cleared when the I2C_DT register is read.
 10. End of communication.
2. **When I2C interrupt priority is not very high but the number of bytes to receive is greater than 2**
- The third-to-last byte (N-2) is not read when being received. It is read only after the ACKEN bit in the I2C_CTRL1 register is cleared when the second-to-last byte (N-1) is received. Then the second-to-last byte (N-1) is read after the GENSTOP bit in the I2C_CTRL1 register is set. Afterwards, the bus starts to receive the last one byte.

Figure 11-7 Transfer sequence of master receiver when N>2

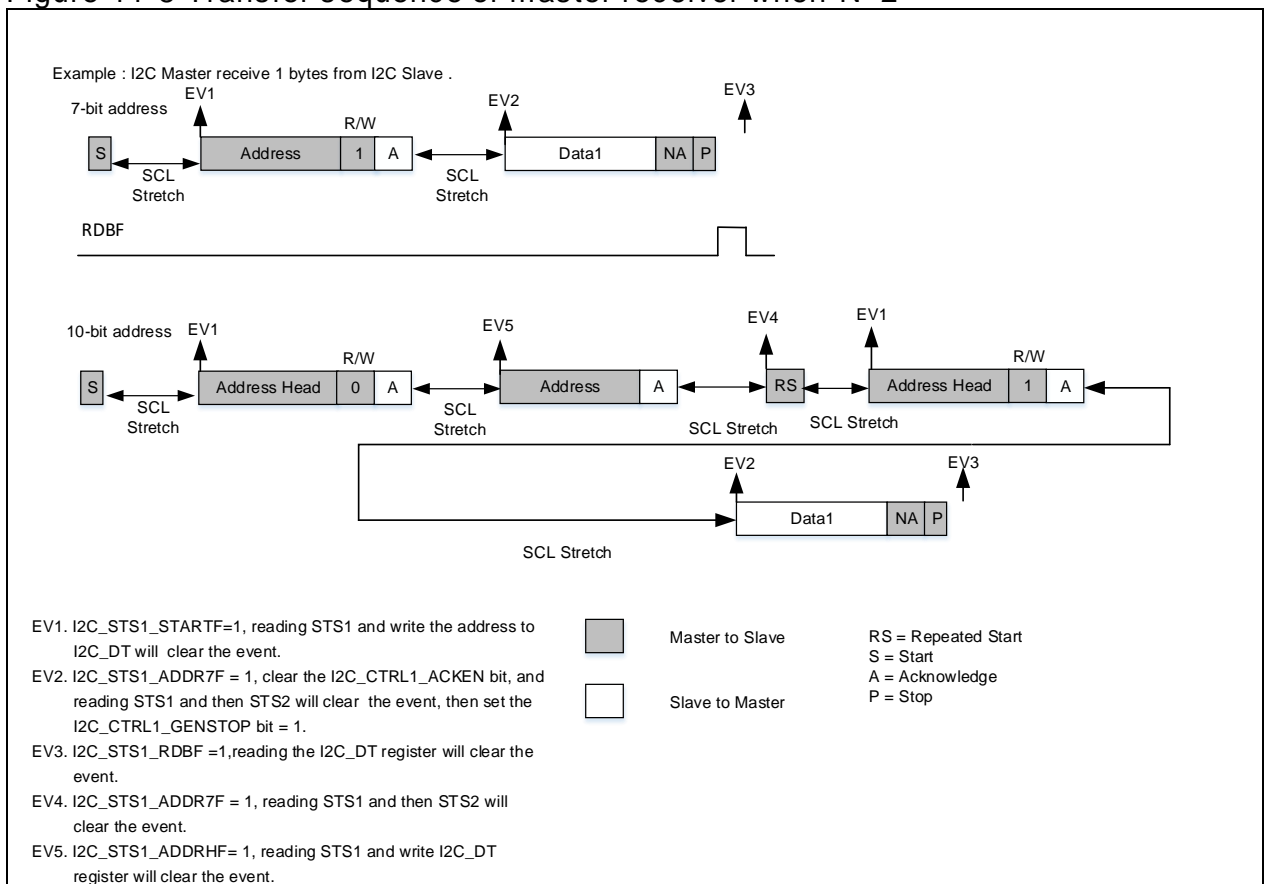


● **7-bit address mode:**

1. Generate a Start condition (GENSTART=1)
2. EV1: Start condition is ready (STARTF=1). Read STS1 and write the address to DT register.
3. EV2: Address is matched successfully (ADDR7F=1). Read STS1 and then STS2 will clear the ADDR7F bit, and the master enters receive stage.
4. EV3: The RDBF bit is set 1 after receiving the byte, and it is cleared when the I2C_DT register is read.
5. EV4: TDC=1, the contents in the I2C_DT is N-2, and that of the shift register is N-1. The ACKEN is set 0 by software and the data N-2 is read, afterwards, the GENSTOP=1, and data N-1 is read.

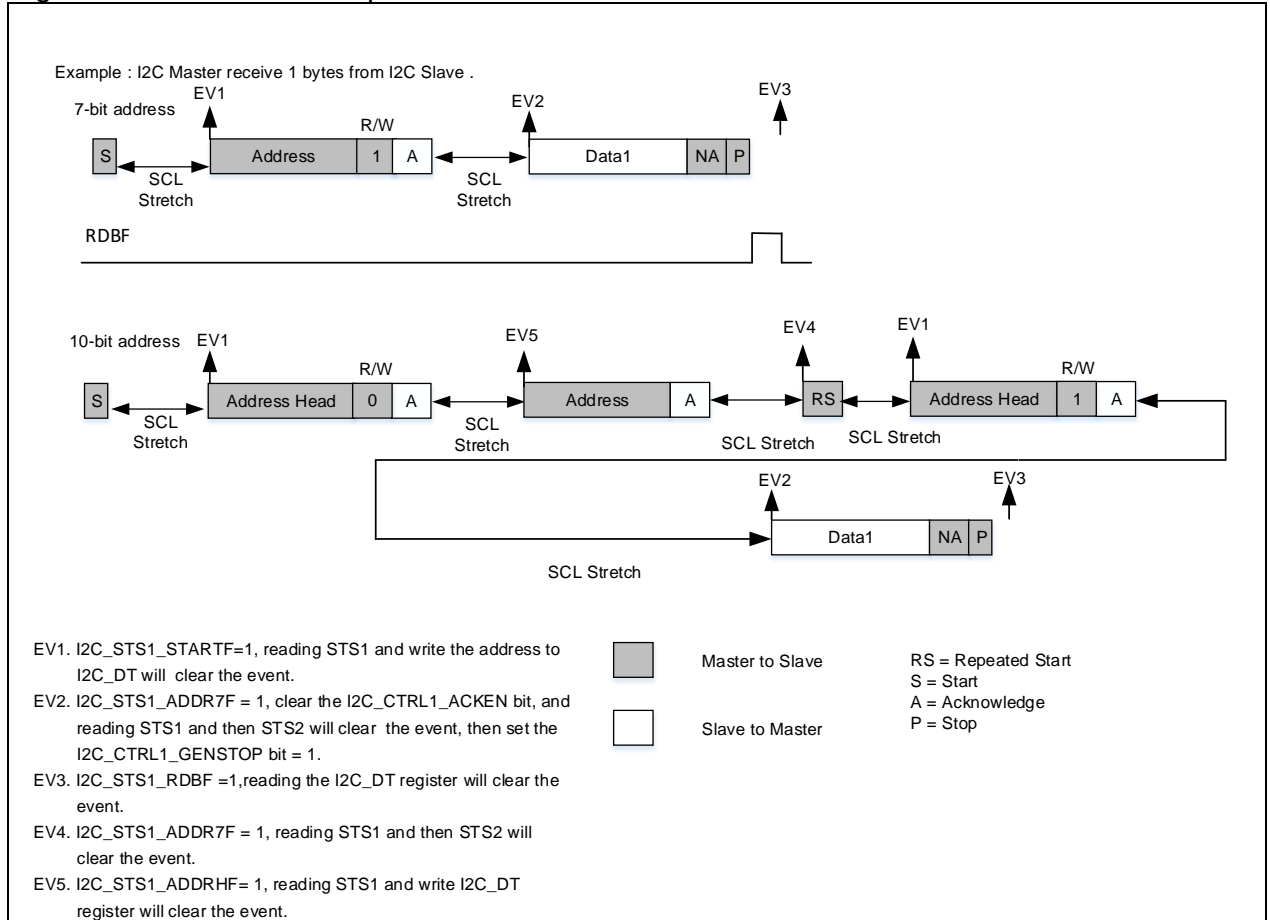
6. EV3: The RDBF bit is set 1 after receiving the byte, and it is cleared when the I2C_DT register is read.
 7. End of communication.
- **10-bit address mode:**
 1. Generate Start condition (GENSTART=1)
 2. EV1: Start condition is ready (STARTF=1). Read STS1 and write the address to DT register.
 3. EV5: 10-bit address head sequence is sent. Read STS1 and write to DT register can clear the ADDRHF bit.
 4. EV2: Address is matched successfully (ADDR7F=1). Read STS1 and then STS2 will clear the ADDR7F bit, and the master re-send Start condition.
 5. EV1: Start condition is ready (STARTF=1). Read STS1 and write the address to the DT register.
 6. EV2: Address is matched successfully (ADDR7F=1). Read STS1 and then STS2 will clear the ADDR7F bit, and the master enters receive stage.
 7. EV3: The RDBF bit is set 1 after receiving the byte, and it is cleared when the I2C_DT register is read.
 8. EV4: TDC=1, the contents in the I2C_DT is N-2, and that of the shift register is N-1. The ACKEN is set 0 by software and the data N-2 is read, afterwards, the GENSTOP=1, and data N-1 is read.
 9. EV3: The RDBF bit is set 1 after receiving the byte, and it is cleared when the I2C_DT register is read.
 10. End of communication.
3. **When I2C interrupt priority is not very high but the number of bytes to receive is equal to 2**
 - Set the MACKCTRL bit in the I2C_CTRL1 register before data reception. When the address is matched, clear ACKEN bit and then the ADDR7F bit. When the TDC bit is set 1, set the GENSTOP bit in the I2C_CTRL1 register, and then read the DT register.

Figure 11-8 Transfer sequence of master receiver when N=2



- **7-bit address mode:**
 1. Set MACKCTRL=1 in the I2C_CTRL1 register
 2. Generate Start condition (GENSTART=1)
 3. EV1: Start condition is ready (STARTF=1). Read STS1 and write the address to DT register.
 4. EV2: Address is matched successfully (ADDR7F=1). Clear the ACKEN bit and read STS1 before reading STS2 and clearing ADDR7F bit, the master enters receive state at this time.
 5. EV2: TDC=1, set GENSTOP=1, and then read the I2C_DT register twice.
 6. End of communication.
- **10-bit address mode:**
 1. Set MACKCTRL=1 in the I2C_CTRL1 register
 2. Generate Start condition (GENSTART=1)
 3. EV1: Start condition is ready (STARTF=1). Read STS1 and write the address to DT register.
 4. EV4: 10-bit address head is sent. Read STS1 and write to DT register can clear the ADDRHF bit.
 5. EV2: Address is matched successfully (ADDR7F=1). Read STS1 and then STS2 will clear the ADDR7F bit, and the master re-send Start condition.
 6. EV1: Start condition is ready (STARTF=1). Read STS1 and write the address to the DT register.
 7. EV2: Address is matched successfully (ADDR7F=1). Clear the ACKEN bit and read STS1 before reading STS2 and clearing ADDR7F bit, the master enters receive state at this time.
 8. EV3: TDC=1, set GENSTOP=1, and then read the I2C_DT register twice.
 9. End of communication.
- 4. **When I2C interrupt priority is not very high but the number of bytes to receive is equal to 1**
- After the address is matched, clear the ACKEN bit and then ADDR7F bit, then set the GENSTOP bit in the I2C_CTRL1 register. Wait until the RDBF bit is set 1 before reading the DT register.

Figure 11-9 Transfer sequence of master receiver when N=1



● **7-bit address mode:**

1. Generate a Start condition (GENSTART=1)
2. EV1: Start condition is ready (STARTF=1). Read STS1 and write the address to DT register.
3. EV2: Address is matched successfully (ADDR7F=1). Clear the ACKEN bit, read STS1 and then STS2 will clear the ADDR7F bit. Afterwards, set GENSTOP=1, the master enters receive stage at this time.
4. EV3: RDBF=1. It is cleared when the I2C_DT register is read.
5. End of communication.

● **10-bit address mode:**

1. Generate a Start condition (GENSTART=1)
2. EV1: Start condition is ready (STARTF=1). Read STS1 and write the address to DT register.
3. EV5: 10-bit address head is sent. Read STS1 and write to DT register can clear the ADDRHF bit.
4. EV4: Address is matched successfully (ADDR7F=1). Read STS1 and STS2 will clear the ADDR7F bit, the master re-sends Start condition (GENSTART=1).
5. EV1: Start condition is ready (STARTF=1). Read STS1 and write the address to the DT register.
6. EV2: Address is matched successfully (ADDR7F=1). Clear the ACKEN bit, read STS1 and then STS2 will clear the ADDR7F bit. Afterwards, set GENSTOP=1, the master enters receive stage at this time.
7. EV3: RDBF=1. It is cleared when the I2C_DT register is read.
8. End of communication.

11.4.3 Utilize DMA for data transfer

I²C data transfer can be done using DMA controller. An interrupt is generated by enabling the transfer complete interrupt bit. The DATAIEN bit in the I2C_CTRL2 register must be set 0 when using DMA for data transfer. The following sequence is for data transfer with DMA.

Transmission using DMA

1. Set the peripheral address (DMA_CxPADDR= I2C_DT address)
2. Set the memory address (DMA_CxMADDR=data memory address)
3. The transmission direction is set from memory to peripheral (DTD=1 in the DMA_CHCTRL register)
4. Configure the total number of bytes to be transferred in the DMA_CxDTCNT register
5. Configure other parameters such as priority, memory data width, peripheral data width, interrupts, etc in the DMA_CHCTRL register
6. Enable the DMA channel by setting CHEN=1 in the DMA_CxCTRL register
7. Enable I²C DMA request by setting DMAEN=1 in the I2C_CTRL2 register. Once the TDBE bit in the I2C_STS1 register is set, the data is loaded from the programmed memory to the I2C_DT register through DMA
8. When the number of data transfers, programmed in the DMA controller, is reached (DMA_CxDTCNT=0), the data transfer is complete (An interrupt is generated if enabled).
9. Master transmitter: Once the TDC flag is set, the STOP condition is generated, indicating that transfer is complete.
Slave transmitter: Once the ACKFAIL flag is set, clear the ACKFAIL flag, transfer is complete.

Reception using DMA

1. Set the peripheral address (DMA_CxPADDR = I2C_DT address)
2. Set the memory address (DMA_CxMADDR = memory address)
3. The transmission direction is set from peripheral to memory (DTD=0 in the DMA_CHCTRL register)
4. Configure the total number of bytes to be transferred in the DMA_CxDTCNT register
5. Configure other parameters such as priority, memory data width, peripheral data width, interrupts, etc in the DMA_CHCTRL register
6. Enable the DMA channel by setting CHEN=1 in the DMA_CxCTRL register
7. Enable I²C DMA request by setting DMAEN=1 in the I2C_CTRL2 register. Once the RDBE bit in the I2C_STS1 register is set, the data is loaded from the I2C_DT register to the programmed memory through DMA
8. When the number of data transfers, programmed in the DMA controller, is reached (DMA_CxDTCNT=0), the data transfer is complete (An interrupt is generated if enabled).
9. Master receiver: Clear the ACKFAIL flag, the STOP condition is generated, indicating that the transfer is complete (when the number of bytes to be transferred is greater ≥ 2 and DMAEND=1, the NACK signal is generated automatically after transfer complete (DMA_CxDTCNT=0))
Slave receiver: Once the STOPF flag is set, clear the STOPF flag, and the transfer is complete.

11.4.4 SMBus

The System Management Bus (SMBus) is a two-wire interface through which various devices can communicate with each other. It is based on I²C. With SMBus, the device can provide manufacturer information, tell the system its model/part number, report different types of errors and accept control parameters and so on. For more information, refer to SMBus 2.0 protocol.

Differences between SMBus and I²C

1. SMBus requires a minimum speed of 10 kHz for the purpose of management and monitor. It is quite easy to know whether the bus is in Idle state or not as long as a parameter is input while running on a certain transmission speed, without the need of detecting the STOP signals one after

another, or even keeping STOP and other parameter monitor. There is no limit for I²C.

2. SMBus transmission speed ranges from 10 kHz to 100 kHz. In contrast, I²C has no minimum requirement, and its maximum speed varies from one mode to another, namely, 100 kHz in standard mode and 400 kHz in fast mode.
3. After reset, SMBus needs 35 ms of timeout, but there is no limit for I²C in this regard.

SMBus applications

1. The I²C interface is set in SMBus mode by setting PERMODE=1 in the I2C_CTRL1 register.
2. Select SMBus mode:
SMBMODE=1: SMBus host
SMBMODE=0: SMBus device
3. Other configurations are the same as those of I²C.

SMBus protocols are implemented by the user software, while I²C interface only provide the address identification of these protocols

SMBus address resolution protocol (ARP)

SMBus address conflicts can be resolved by dynamically assigning a new unique address to each device. Refer to SMBus 2.0 protocol for more information about ARP.

Setting the ARPEN bit can enable the I²C interface to recognize the default device address (0b1100001x). However, unique device identifier (UDID) and the detailed protocol implementation should be handled by software.

SMBus host notify protocol

The slave device can send data to the master device through SMBus host notify protocol. For example, the slave can notify the host to implement ARP with this protocol. Refer to SMBus 2.0 protocol for details on SMBus host notify protocol.

When the ARP mode is enabled (ARPEN=1) in host mode (SMBMODE=1), the I²C interface is enabled to recognize the 0b0001000x (default host address)

SMBus Alert

SMBus Alert is an optional signal that connects the ALERT pin between the host and the slave. With this signal, the slave notifies the host to access the slave. SMBALERT is a wired-AND signal. For more information about SMBus Alert, refer to SMBus2.0 protocol.

The detailed sequences are as follows:

SMBus host:

1. Enable SMBus Alert mode by setting SMBALERT=1
2. Enable ALERT interrupt if necessary
3. When an alert event occurs on the ALERT pin (ALERT pin changes from high to low)
4. The host will generate ALERT interrupt if enabled
5. The host then processes the interrupt and accesses to all devices through ARA (Alert Response Address 0001100x) so as to get the slave addresses. Only the devices with pulled-down SMBALERT can acknowledge ARA.
6. The host then continues to operate based on the slave addresses available.

SMBus slave:

1. When an alert event occurs and the ALERT pin changes from high to low (SMBALERT=1), the slave responds to ARA (Alert Response Address) address (0001100x)
2. Enable ALERT interrupt if necessary (an interrupt is generated when receiving ARA address)
3. Wait until the host gets the slave addresses through ARA
4. Report its own address, but it continues to wait if the arbitration is lost.
5. Address is reported properly, and the ALERT pin is released (SMBALERT=0).

Packet error checking (PEC)

Packet error checking (PEC) is used to guarantee the correctness and integrity of data transfer. This is done by using CRC-8 polynomial:

$$C(x) = x^8 + x^2 + x + 1$$

PEC calculation is enabled when PECEN=1 to check address and data. It becomes invalid when the arbitration is lost.

PEC transmission:

- Common mode: Set PECTRA=1 after the last TDBE event so that PEC is transferred after the last transmitted byte.
- DMA mode: The PEC is transferred automatically after the last transmitted byte. For example, if the number of data to be transferred is 8, then DMA_TCNTx=8.

PEC reception:

- Common mode: Set the PECTRA bit after the last RDBF event. The PECTRA must be set before the ACK pulse of the current byte is received.
- DMA mode: When receiving, it will automatically consider the last byte as PECVAL and check it. For example, if the number of data to be transferred is 8, then DMA_TCNTx=9.

In reception mode, the NACK will be generated when PEC fails.

11.4.5 I²C interrupt requests

The following table lists all the I²C interrupt requests.

Interrupt event	Event flag	Enable control bit
Start condition sent (Host)	STARTF	EVTIEN
Address sent (host) or address matched (slave)	ADDR7F	
10-bit address head sent (host)	ADDRHF	
Data transfer complete	TDC	
Stop condition received (slave)	STOPF	
Transmit data buffer empty	TDBE	EVTIEN and DATAIEN
Receive data buffer full	RDBF	
SMBus alert	ALERTF	ERRIEN
Timeout error	TMOUT	
PEC error	PECERR	
Overload/underload	OUF	
Acknowledge failure	ACKFAIL	
Arbitration lost	ARLOST	
Bus error	BUSERR	

11.4.6 I²C debug mode

When the microcontroller enters debug mode (CortexTM-M4F halted), the SMBUS timeout either continues to work or stops, depending on the I2Cx_SMBUS_TIMEOUT configuration bit in the DEBUG module.

11.5 I²C registers

These peripheral registers must be accessed by half-word (16 bits) or word (32 bits).

Table 11-1 I²C register map and reset value

Register	Offset	Reset value
I2C_CTRL1	0x00	0x0000
I2C_CTRL2	0x04	0x0000
I2C_OADDR1	0x08	0x0000
I2C_OADDR2	0x0C	0x0000
I2C_DT	0x10	0x0000
I2C_STS1	0x14	0x0000
I2C_STS2	0x18	0x0000
I2C_CLKCTRL	0x1C	0x0000
I2C_TMRISE	0x20	0x0002

11.5.1 Control register1 (I2C_CTRL1)

Bit	Register	Reset value	Type	Description
Bit 15	RESET	0x0	rw	I ² C peripheral reset 0: I ² C peripheral is not at reset state. 1: I ² C peripheral is at reset state. Note: This bit can be used only when the BUSYF bit is "1", and no Stop condition is detected on the bus.
Bit 14	Reserved	0x0	resd	Kept at its default value.
Bit 13	SMBALERT	0x0	rw	SMBus alert pin set This bit is set or cleared by software. It is cleared by hardware when I2CEN=0. 0: SMBus alert pin high. 1: SMBus alert pin low.
Bit 12	PECTEN	0x0	rw	Request PEC transfer enable This bit is set or cleared by software. It is cleared by hardware after PECTEN is sent, or under Start/Stop condition. 0: No PEC transfer 1: PEC transfer
Bit 11	MACKCTRL	0x0	rw	Master receive mode acknowledge control 0: ACKEN bit controls ACK of the current byte being transferred 1: ACKEN bit controls ACK of the next byte to be transferred. This bit is used only when the number of bytes to receive is equal to 2 so as to ensure that the host responds to ACK in time.
Bit 10	ACKEN	0x0	rw	Acknowledge enable This bit is set or cleared by software. 0: Disabled (no acknowledge sent) 1: Enabled (acknowledge sent)
Bit 9	GENSTOP	0x0	rw	Generate stop condition This bit is set or cleared by software. It is cleared when a Stop condition is detected. It is set by hardware when a timeout error is detected. 0: No Stop condition is generated.

				1: Stop condition is generate. The salve releases the SCL and SDA lines when this bit is set in slave mode.
Bit 8	GENSTART	0x0	rw	Generate start condition This bit is set or cleared by software. It is cleared when a Start condition is sent. 0: No Start condition is generated. 1: Start condition is generated.
Bit 7	STRETCH	0x0	rw	Clock stretching mode 0: Enabled 1: Disabled Note: This applies to slave mode only.
Bit 6	GCAEN	0x0	rw	General call address enable 0: Enabled 1: Disabled
Bit 5	PECEN	0x0	rw	PEC calculation enable 0: Disabled 1: Enabled
Bit 4	ARPEN	0x0	rw	SMBus address resolution protocol enable 0: Disabled 1: Enabled SMBus host: response to host address 0001000x SMBus slave: response to default device address 0001100x
Bit 3	SMBMODE	0x0	rw	SMBus device mode 0: SMBus slave 1: SMBus host
Bit 2	Reserved	0x0	resd	Forced to be 0 by hardware.
Bit 1	PERMODE	0x0	rw	I ² C peripheral mode 0: I ² C mode 1: SMBus mode
Bit 0	I2CEN	0x0	rw	I ² C peripheral enable 0: Disabled 1: Enabled All bits are cleared as I2CEN = 0 at the end of the communication. In master mode, this bit must not be cleared before the end of the communication.

Note: When the GENSTART, GENSTP or PECTEN bit is set, the I2C_CTRL1 cannot be written by software until the corresponding bit has been cleared by hardware, otherwise, a second GENSTART, GENSTP or PECTEN request may be set.

11.5.2 Control register2 (I2C_CTRL2)

Bit	Register	Reset value	Type	Description
Bit 15: 13	Reserved	0x0	resd	Forced to be 0 by hardware.
Bit 12	DMAEND	0x0	rw	End of DMA transfer 0: The next DMA transfer is no the last one. 1: The next DMA transfer is the last one.
Bit 11	DMAEN	0x0	rw	DMA transfer enable 0: Disabled 1: Enabled
Bit 10	DATAIEN	0x0	rw	Data transfer interrupt enable An interrupt is generated when TDBE =1 or RDBF=1. 0: Disabled

				1: Enabled
				Event interrupt enable
				0: Disabled
				1: Enabled
				An interrupt is generated in the following conditions:
				– STARTF = 1 (Master mode)
				– ADDR7F = 1 (Master/slave mode)
				– ADDRHF = 1 (Master mode)
				– STOPF = 1 (Slave mode)
				– TDC = 1, but no TDBE or RDBF event
				– If DATAIEN = 1, the TDBE event is 1.
				– If DATAIEN = 1, the RDBF event is 1.
				Error interrupt enable
				0: Disabled
				1: Enabled
				An interrupt is generated in the following conditions:
				– BUSERR = 1
				– ARLOST = 1
				– ACKFAIL = 1
				– OVER = 1
				– PECERR = 1
				– TMOUT = 1
				– ALERTF = 1
				I ² C input clock frequency
				Correct input clock frequency must be set to generate correct timings. The range allowed is between 2 MHz and 120 MHz.
				2: 2MHz
				3: 3MHz
			
				120: 120MHz

11.5.3 Own address register1 (I2C_OADDR1)

Bit	Register	Reset value	Type	Description
				Address mode
Bit 15	ADDR1MODE	0x0	rw	0: 7-bit address 1: 10-bit address
Bit 14: 10	Reserved	0x00	resd	Kept at its default value.
Bit 9: 0	ADDR1	0x000	rw	Own address 1 In 7-bit address mode, bit 0 and bit [9: 8] don't care.

11.5.4 Own address register2 (I2C_OADDR2)

Bit	Register	Reset value	Type	Description
Bit 15: 8	Reserved	0x00	resd	Kept at its default value.
Bit 7: 1	ADDR2	0x00	rw	Own address 2 7-bit address
				Own address 2 enable
Bit 0	ADDR2EN	0x0	rw	0: In 7-bit address mode, only OADDR1 is recognized. 1: In 7-bit address mode, both OADDR1 and OADDR2 are recognized.

11.5.5 Data register (I2C_DT)

Bit	Register	Reset value	Type	Description
Bit 15: 8	Reserved	0x00	resd	Kept at its default value
Bit 7: 0	DT[7: 0]	0x00	rw	<p>This field is used to store data received or to be transferred.</p> <p>Transmitter mode: Data transfer starts automatically when a byte is written to the DT register. Once the transfer starts (TDE=1), I²C will keep a continuous data transfer flow if the next data to be transferred is written to the DT register in a timely manner.</p> <p>Receiver mode: Bytes received are copied into the DT register (RDNE=1). A continuous data transfer flow can be maintained if the DT register is read before the next word is received (RDNE=1).</p> <p>Note: If an ARLOST event occurs on ACK pulse, the received byte is not copied into the data register, so it cannot be read.</p>

11.5.6 Status register1 (I2C_STS1)

Bit	Register	Reset value	Type	Description
Bit 15	ALERTF	0x0	rw0c	<p>SMBus alert flag</p> <p>In SMBus host mode:</p> <p>0: No SMBus alert</p> <p>1: SMBus alert event is received.</p> <p>In SMBus slave mode:</p> <p>It indicates the receiving status of the default device address (0001100x)</p> <p>0: Default device address is not received.</p> <p>1: Default device address is received.</p> <p>This bit is cleared by software, or by hardware when I2CEN=0.</p>
Bit 14	TMOUT	0x0	rw0c	<p>SMBus timeout flag</p> <p>0: No timeout error.</p> <p>1: Timeout</p> <p>This bit is cleared by software, or by hardware when I2CEN=0.</p> <p>Note: This function is valid only in SMBUS mode.</p>
Bit 13	Reserved	0x0	resd	Kept at its default value.
Bit 12	PECERR	0x0	rw0c	<p>PEC receive error flag</p> <p>0: No PEC error</p> <p>1: PEC error occurs.</p> <p>This bit is cleared by software.</p>
Bit 11	OUF	0x0	rw0c	<p>Overload / underload flag</p> <p>In transmission mode:</p> <p>0: Normal</p> <p>1: Underload</p> <p>In reception mode:</p> <p>0: Normal</p> <p>1: Overload</p> <p>This bit is cleared by software, or by hardware when I2CEN=0.</p>
Bit 10	ACKFAIL	0x0	rw0c	<p>Acknowledge failure flag</p> <p>0: No acknowledge failure</p> <p>1: Acknowledge failure occurs.</p> <p>Set by hardware when no acknowledge is returned.</p>

				This bit is cleared by software, or by hardware when I2CEN=0.
Bit 9	ARLOST	0x0	rw0c	<p>Arbitration lost flag</p> <p>0: No arbitration lost is detected.</p> <p>1: Arbitration lost is detected.</p> <p>This bit is cleared by software, or by hardware when I2CEN=0.</p> <p>On ARLOST even, the I²C interface switches to slave mode automatically.</p>
Bit 8	BUSERR	0x0	rw0c	<p>Bus error flag</p> <p>0: No Bus error occurs.</p> <p>1: Bus error occurs.</p> <p>Set by hardware when the interface detects a misplaced Start or Stop condition.</p> <p>This bit is cleared by software, or by hardware when I2CEN=0.</p>
Bit 7	TDBE	0x0	ro	<p>Transmit data buffer empty flag</p> <p>0: The data is being transferred from the DT register to the shift register (the data is still loaded with the data at this point.)</p> <p>1: The data has been moved from the DT register to the shift register. The data register is empty now.</p> <p>This flag is set when the DT register is empty, and cleared when writing to the DT register.</p> <p>Note: The TDBE bit is not cleared by writing the first data to be transmitted, or by writing data when the TDC is set, since the data register is still empty at this time.</p>
Bit 6	RDBF	0x0	ro	<p>Receive data buffer full flag</p> <p>0: Data register is empty.</p> <p>1: Data register is full (data received)</p> <p>This flag is cleared when the DT register is read.</p> <p>The RDBF bit is not set at ARLOST event.</p>
Bit 5	Reserved	0x0	resd	Kept at its default value.
Bit 4	STOPF	0x0	ro	<p>Stop condition generation complete flag</p> <p>0: No Stop condition is detected.</p> <p>1: Stop condition is detected.</p> <p>This bit is set by hardware when a Stop condition is detected on the bus by the slave if ACKEN=1.</p> <p>It is cleared by reading STS1 register followed by writing to the CTRL1 register.</p>
Bit 3	ADDRHF	0x0	ro	<p>Master 9~8 bit address head match flag</p> <p>0: Master 9~8 bit address head mismatch</p> <p>1: Master 9~8 bit address head match</p> <p>Set by hardware when the first byte is sent by master in 10-bit address mode.</p> <p>Cleared by a write to the CTRL1 register after the STS1 register is read by software, or by hardware when PEN=0.</p> <p>Note: The ADDR10 bit is not set after a NACK reception.</p>
Bit 2	TDC	0x0	ro	<p>Data transfer complete flag</p> <p>0: Data transfer is not completed yet (the shift register still holds data)</p> <p>1: Data transfer is completed (shift register is empty)</p> <p>This bit is cleared automatically by read or write access to the DT register, or when a Start or Stop condition is received.</p> <p>When STRETCH=0</p>

				<p>In reception mode, when a new byte (including ACK pulse) is received and the data register is not read yet (RDBF=1)</p> <p>In transmission mode, when a new byte is sent and the data register is not written yet (TDBE=1)</p> <p>The TDC is set under both conditions.</p>
Bit 1	ADDR7F	0x0	ro	<p>0~7 bit address match flag</p> <p>0: Address is not sent in host mode or received in slave mode</p> <p>1: Address is sent in host mode or address is received in slave mode.</p> <p>Cleared by read access to STS2 register after the software reads STS1 register.</p> <p>Note: the ADDR7F bit is not set after a NACK reception.</p>
Bit 0	STARTF	0x0	ro	<p>Start condition generation complete flag</p> <p>0: No Start condition is generated.</p> <p>1: Start condition is generated.</p> <p>Cleared by write access to the DT register after the software reads the STS1 register.</p>

11.5.7 Status register2 (I2C_STS2)

Bit	Register	Reset value	Type	Description
Bit 15: 8	PECVAl	0x00	ro	<p>PEC value</p> <p>Cleared when PECEN is reset.</p>
Bit 7	ADDR2F	0x0	ro	<p>Received address 2 flag</p> <p>0: Received address matches the contents of OADDR1</p> <p>1: Received address matches the contents of OADDR2</p> <p>Cleared when a Stop/Start condition is received, or by hardware when I2CEN=0.</p>
Bit 6	HOSTADDRF	0x0	ro	<p>SMBus host address reception flag</p> <p>0: SMBus host address is not received.</p> <p>1: SMBus host address is received.</p> <p>Cleared when a Stop/Start condition is received, or by hardware when I2CEN=0.</p>
Bit 5	DEVADDRF	0x0	ro	<p>SMBus device address reception flag</p> <p>0: SMBus device address is not received.</p> <p>1: SMBus device address is received.</p> <p>Cleared when a Stop/Start condition is received, or by hardware when I2CEN=0.</p>
Bit 4	GCADDRF	0x0	ro	<p>General call address reception flag</p> <p>0: General call address is not received.</p> <p>1: General call address is received.</p> <p>Cleared when a Stop/Start condition is received, or by hardware when I2CEN=0.</p>
Bit 3	Reserved	0x0	resd	Keep at its default value.
Bit 2	DIRF	0x0	ro	<p>Transmission direction flag</p> <p>0: Data reception</p> <p>1: Data transmission</p> <p>Cleared by hardware when a Stop condition is received.</p>
Bit 1	BUSYF	0x0	ro	<p>Bus busy flag transmission mode</p> <p>0: Bus idle</p> <p>1: Bus busy</p> <p>Set by hardware on detection of SDA/SCL low, and cleared by hardware on detection of a Stop condition.</p>
Bit 0	TRMODE	0x0	ro	<p>Transmission mode</p> <p>0: Slave mode</p>

1: Master mode

Set by hardware when the GENSTART is set and a Start condition is sent. Cleared by hardware when a Stop condition is detected.

11.5.8 Clock control register (I2C_CLKCTRL)

Bit	Register	Reset value	Type	Description
Bit 15	SPEEDMODE	0x0	rw	Speed mode selection 0: Standard mode (up to 100 kHz) 1: Fast mode (up to 400 kHz) In fast mode, an accurate 400kHz clock is generated when the I ² C clock frequency is an integer multiple of 10MHz.
Bit 14	DUTYMODE	0x0	rw	Fast mode duty cycle 0: The ratio of High to low is 1:2. 1: The ratio of low to high is 9:16.
Bit 13: 12	Reserved	0x0	resd	Kept at its default value.
Bit 11: 0	SPEED	0x000	rw	I ² C bus speed config In standard mode: High level= SPEED x T _{I2C_CLK} Low level= SPEED x T _{I2C_CLK} In fast mode: DUTYMODE = 0: High level= SPEED x T _{I2C_CLK} x 1 Low level= SPEED x T _{I2C_CLK} x 2 DUTYMODE = 1: High level= SPEED x T _{I2C_CLK} x 9 Low level= SPEED x T _{I2C_CLK} x 16 The minimum value allowed in standard mode is 4. In fast mode, the minimum value allowed is 1. The CLKCTRL register can be configured only when the I2C is disabled (I2CEN=0).

Note: The CLKCTRL register can be configured only when the I2C is disabled (I2CEN=0).

11.5.9 I2C timer rise time register (I2C_TMRISE)

Bit	Register	Reset value	Type	Description
Bit 15: 6	Reserved	0x000	resd	Forced to 0 by hardware.
Bit 5: 0	RISETIME	0x02	rw	I2C bus rise time Time= RISETIME x T _{I2C_CLK} In standard mode, I2C protocol stand is 1000ns, and the formula as follows: RISETIME = F _{I2C_CLK} +1 For example, when I2C clock is 48MHz, RISETIME = 48+1 In fast mode, I2C protocol stand is 300ns, and the formula as follows: RISETIME = F _{I2C_CLK} x 0.3+1 For example, when I2C clock is 48MHz, RISETIME = 48x0.3+1 Note: RISETIME[5 : 0] can be configured only when I2CEN=0.

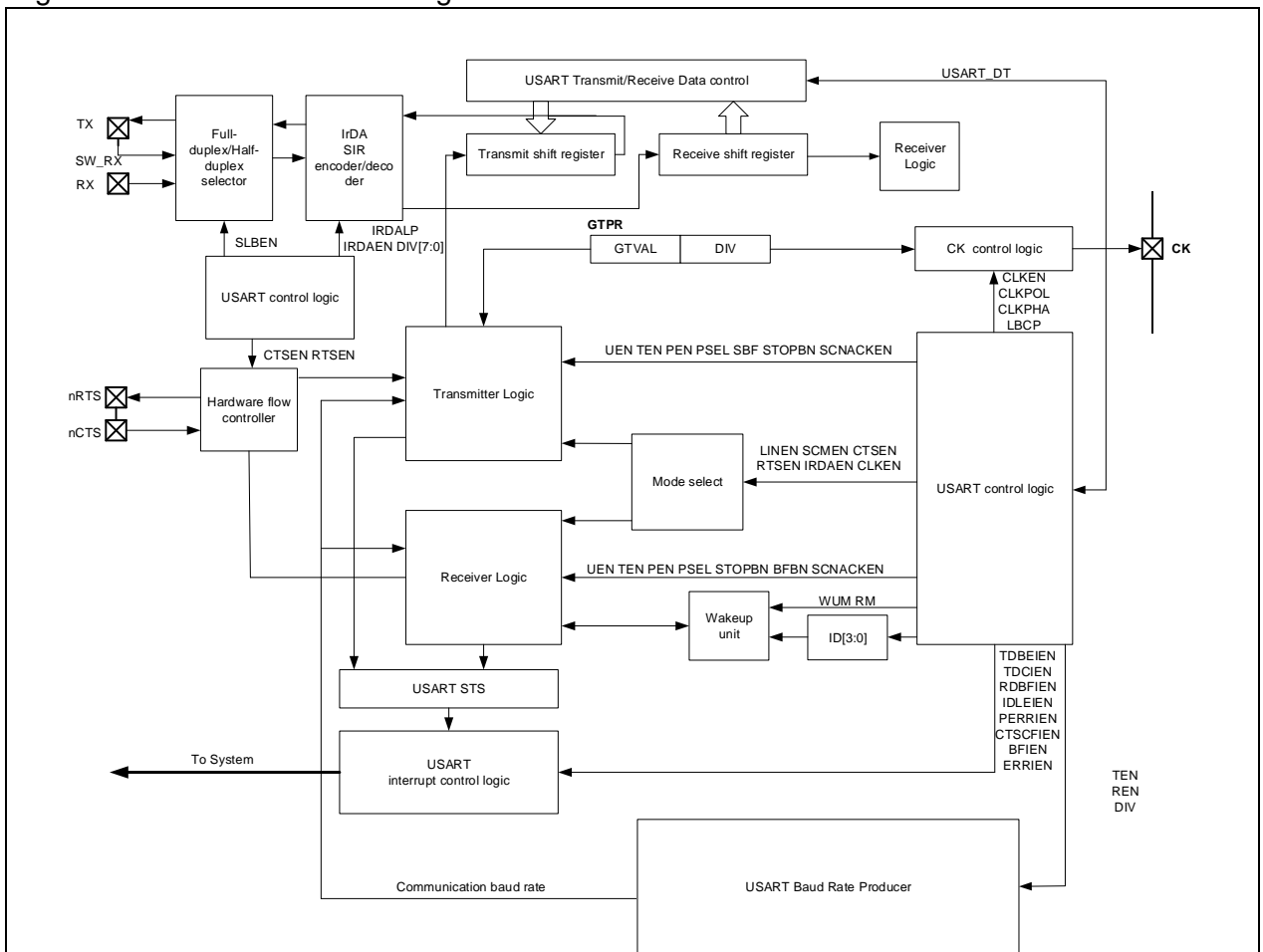
12 Universal synchronous/asynchronous receiver/transmitter (USART)

12.1 USART introduction

The universal synchronous/asynchronous receiver/transmitter (USART) serves an interface for communication by means of various configuration and peripherals with different data formats. It supports asynchronous full-duplex and half-duplex as well as synchronous transfer. With a programmable baud rate generator, USART offers up to 7.5MBits/s of baud rate by setting the system frequency and frequency divider, which is also convenient for users to configure the required communication frequency. In addition to standard NRZ asynchronous and synchronous receiver/transmitter communication protocols, USART also supports widely-used serial communication protocols such as LIN (Local Interconnection Network), IrDA (Infrared Data Association) SIRENDEC specification, Asynchronous SmartCard protocol defined in ISO7816-3 standard, and CTS/RTS (Clear To Send/Request To Send) hardware flow operation.

It also allows multi-processor communication, and supports silent mode waken up by idle frames or ID matching to build up a USART network. Meanwhile, high-speed communication is possible by using DMA.

Figure 12-1 USART block diagram



USART main features:

- Programmable full-duplex or half-duplex communication
 - Full-duplex, asynchronous communication
 - Half-duplex, single communication
- Programmable communication modes

- NRZ standard format (Mark/Space)
- LIN (Local Interconnection Network):
- IrDA SIR:
 - Asynchronous SmartCard protocol defined in ISO7816-3 standard: Support 0.5 or 1.5 stop bits in Smartcard mode
 - RS-232 CTS/RTS (Clear To Send/Request To Send) hardware flow operation
 - Multi-processor communication with silent mode (waken up by configuraing ID match and bus idle frame)
 - Synchronous mode
- Programmable baud rate generator
 - Shared by transmission and reception, up to 7.5 MBits/s
- Programmable frame format
 - Programmable data word length (8 bits or 9 bits)
 - Programmable stop bits-support 1 or 2 stop bits
 - Programmable parity control: transmitter with parity bit transmission capability, and receiver with received data parity check capability
- Programmable DMA multi-processor communication
- Programmable separate enable bits for transmitter and receiver
- Programmable output CLK phase, polarity and frequency
- Detection flags
 - Receive buffer full
 - Transmit buffer empty
 - Transfer complete flag
- Four error detection flags
 - Overrun error
 - Noise error
 - Framing error
 - Parity error
- Programmable 10 interrupt sources with flags
 - CTSF changes
 - LIN break detection
 - Transmit data register empty
 - Transmission complete
 - Receive data register full
 - Idle bus detected
 - Overrun error
 - Framing error
 - Noise error
 - Parity error

12.2 Full-duplex/half-duplex selector

The full-duplex and half-duplex selector enables USART to perform data exchanges with peripherals in full-duplex or half-duplex mode, which is achieved by setting the corresponding registers.

In two-wire unidirectional full-duplex mode (by default), TX pin is used for data output, while the RX pin is used for data input. Since the transmitter and receiver are independent of each other, USART is allowed to send/receive data at the same time so as to achieve full-duplex communication.

When the HALFSEL is set 1, the single-wire bidirectional half-duplex mode is selected for communication. In this case, the LINEN, CLKEN, SCMEN and IRDAEN bits must be set 0. RX pin is inactive, while TX and SW_RX are interconnected inside the USART. For the USART part, TX pins is used for data output, and SW_RX for data input. For the peripheral part, bidirectional data transfer is executed through IO mapped by TX pin.

12.3 Mode selector

12.3.1 Introduction

USART mode selector allows USART to work in different operation modes through software configuration so as to enable data exchanges between USART and peripherals with different communication protocols.

USART supports NRZ standard format (Mark/Space), by default. It also supports LIN (Local Interconnection Network), IrDA SIR (Serial Infrared), Asynchronous Smartcard protocol in ISO7816-3 standard, RS-232 CTS/RTS (Clear To Send/Request To Send) hardware flow operation, silent mode and synchronous mode, depending on USART mode selection configuration.

12.3.2 Configuration procedure

Selection of operation mode is done by following the configuration process listed below. In addition, such configuration method, along with that of receiver and transmitter described in the subsequent sections, are used to make USART initialization configuration.

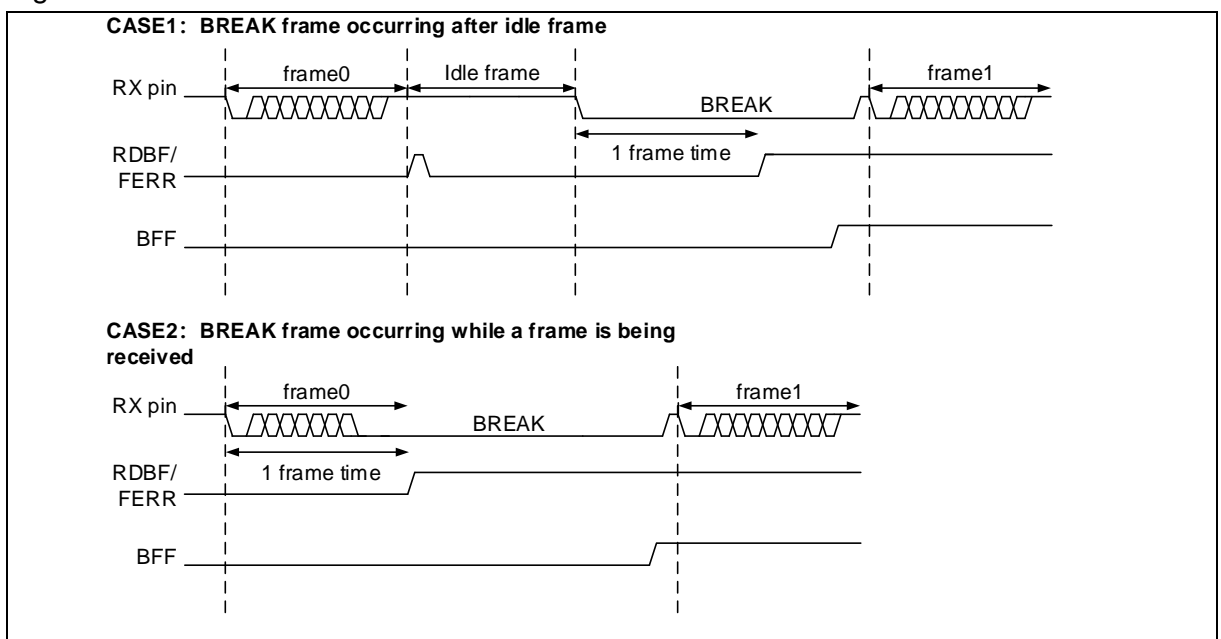
1. LIN mode:

Parameters configuration: LINEN=1, CLKEN=0, STOPBN[1: 0]=0, SCMEN=0, SLHDEN=0, IRDAEN=0 and DBN=0.

LIN master has break frame transmission capability, and thus it is able to send 13-bit low-level LIN synchronous break frame by setting SBF=1.

Similarly, LIN slave has break frame detection capability, and thus it is able to detect 11-bit or 10-bit break frame, depending on whether BFBN=1 or BFBN=0.

Figure 12-2 BFF and FERR detection in LIN mode



2. Smartcard mode:

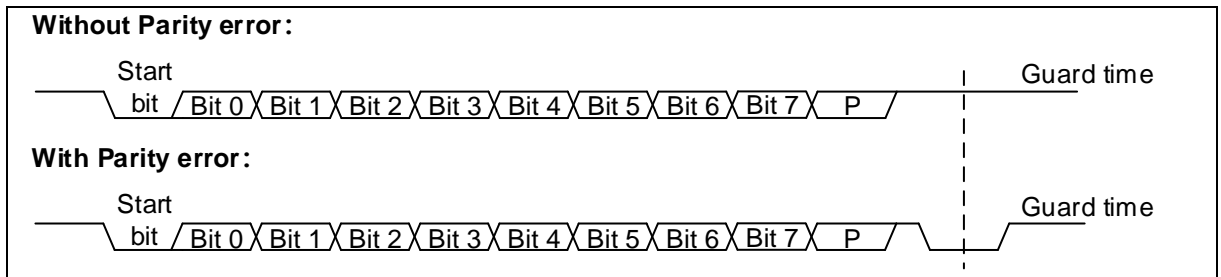
Parameters configuration: SCMEN=1, LINEN=0, SLHDEN=0, IRDAEN=0, CLKEN=1, DBN=1, PEN=1, and STOPBN[1: 0]=11.

The polarity, phase and pulse number of the clock can be configured by setting the CLKPOL, CLKPHA and LBCP bits (Refer to Synchronous mode for details).

The assertion of the TDC flag can be delayed by setting the SCGT[7: 0] bit (guard time bit). The TDF bit can be asserted high after the guard time counter reaches the value programmed in the SCGT[7: 0] bit.

The Smartcard is a single-wire half duplex communication protocol. The SCNACKEN bit is used to select whether to send NACK when a parity error occurs. This is to indicate to the Smarcard that the data has not been correctly received

Figure 12-3 Smartcard frame format

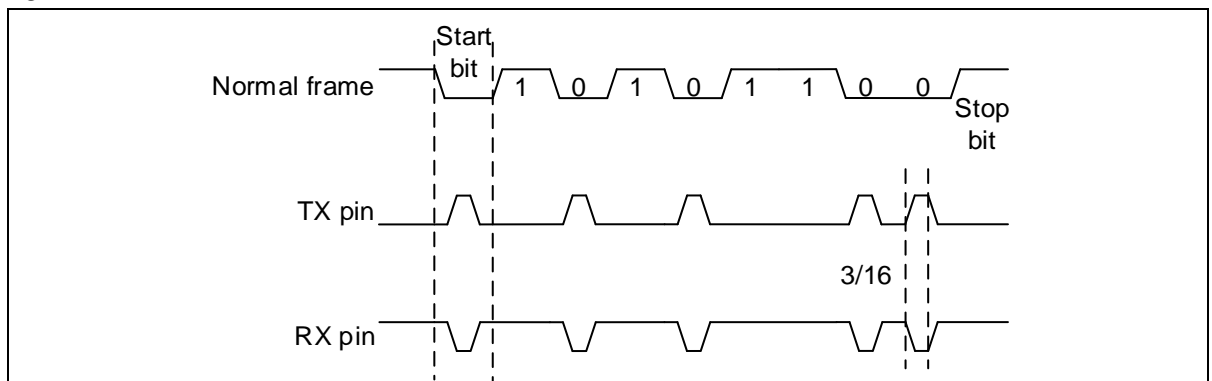


3. Infrared mode:

Parameters configuration: IRDAEN=1, CLKEN=0, STOPBN[1: 0]=0, SCMEN=0 and SLHDEN=0.

The infrared low-power mode can be enabled by setting IRDALP=1. In normal mode the transmitted pulse width is specified as 3/16 bit. In infrared low-power mode, the pulse width can be configurable. And the ISDIV[7:0] bit can be used to achieve the desired low-power frequency.

Figure 12-4 IrDA DATA(3/16) – normal mode



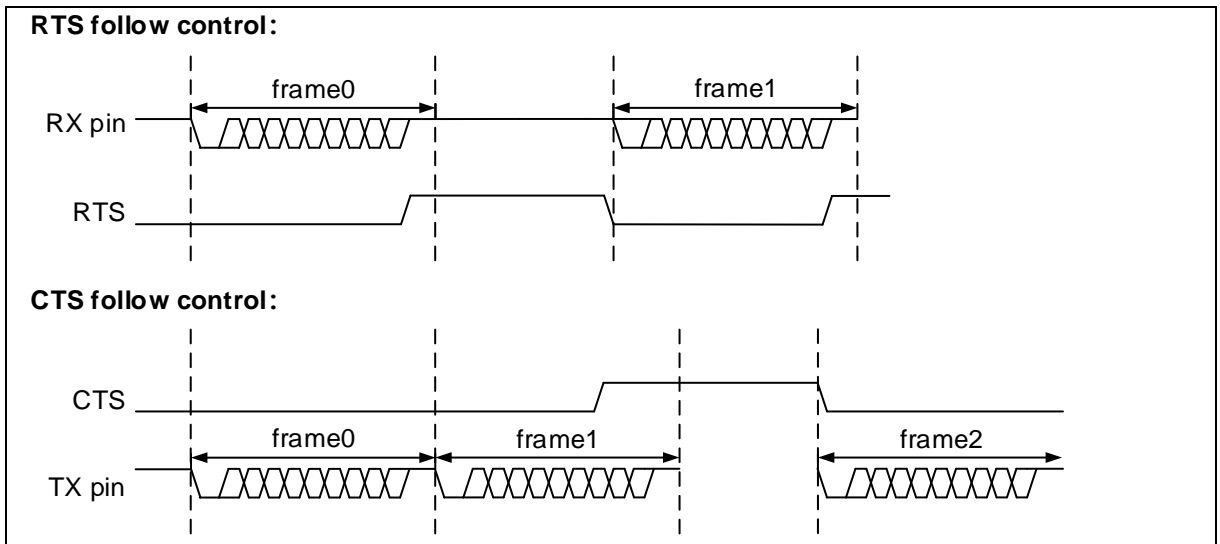
4. Hardware flow control mode:

RTS and CTS flow control can be enabled by setting RTSSEN=1 and CTSSEN=1, respectively. This is to control serial data flow between two devices.

RTS: the RTS becomes active (pull-down means low) as soon as the USART receiver is ready to receive a data. When the data has arrived (starts at each STOP bit) in the receive register, the RTS bit is set, indicating request to stop data transfer at the end of current frame.

CTS: the USART transmitter checks the CTS input before sending next frame. The next data is sent if CTS is active (when low); if CTS becomes inactive (when high) during transmission, it stops sending at the end of current transfer.

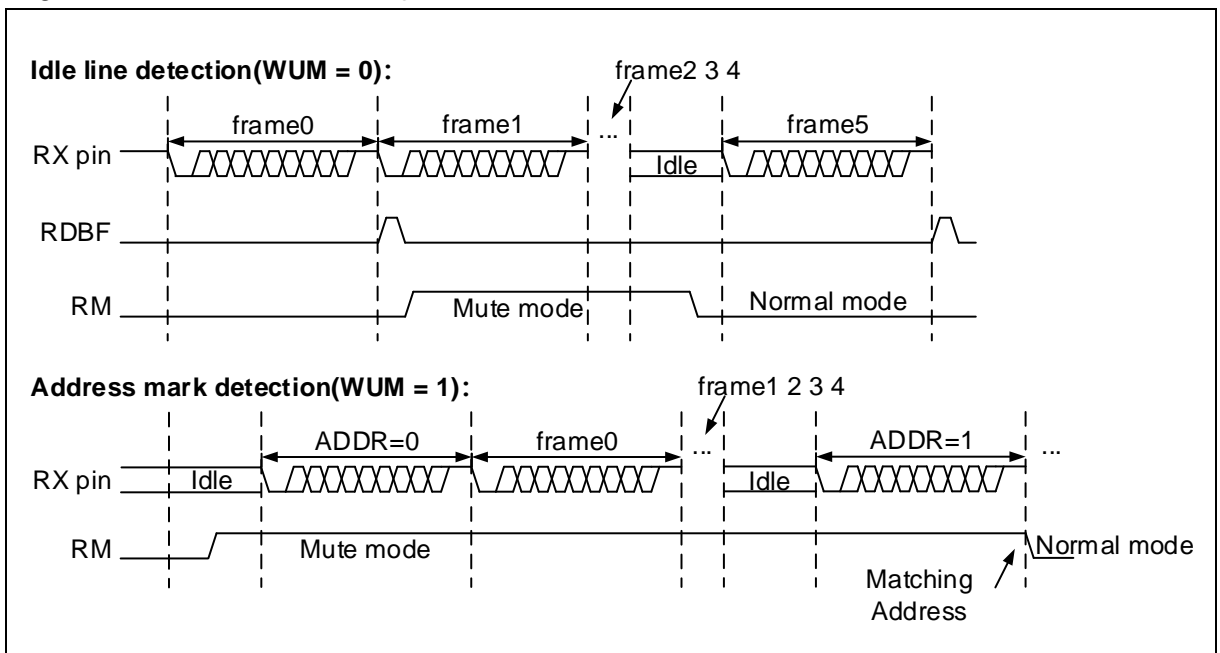
Figure 12-5 Hardware flow control



5. **Silent mode:**

Silent mode can be entered by setting RM=1. It is possible to wake up from silent mode by setting WUM=1 (ID match) and WUM=0 (idle bus), respectively. The ID[3: 0] is configurable. When ID match is selected, if the MSB of data bit is set to 1, it indicates that the current data is ID, and the four LSB represent ID value.

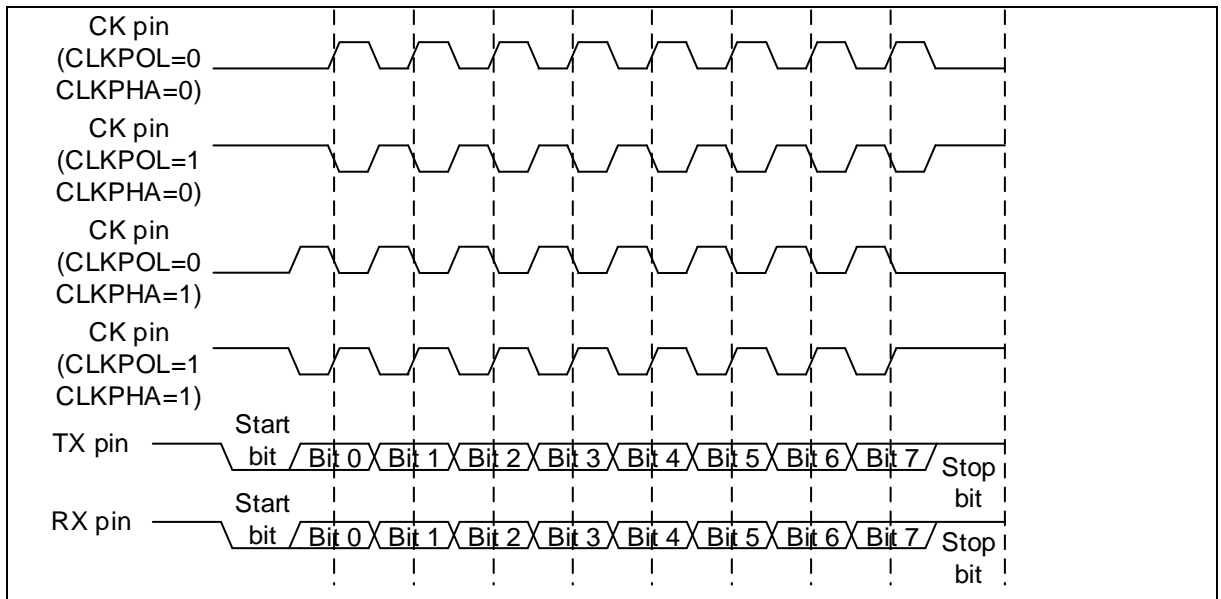
Figure 12-6 Silent mode using Idle line or Address mark detection



6. **Synchronization mode:**

By setting the CLKEN bit to 1, synchronous mode and clock pin output are enabled. Select CK pin high or low in idle state by setting the CLKPOL bit (1 or 0). Whether to sample data on the second or the first edge of the clock depends on the CLKPHA bit (1 or 0). The LBCP bit (1 or 0) is used to select whether to output clock on the last data bit. And the ISDIV[4: 0] is used to select the required clock output frequency.

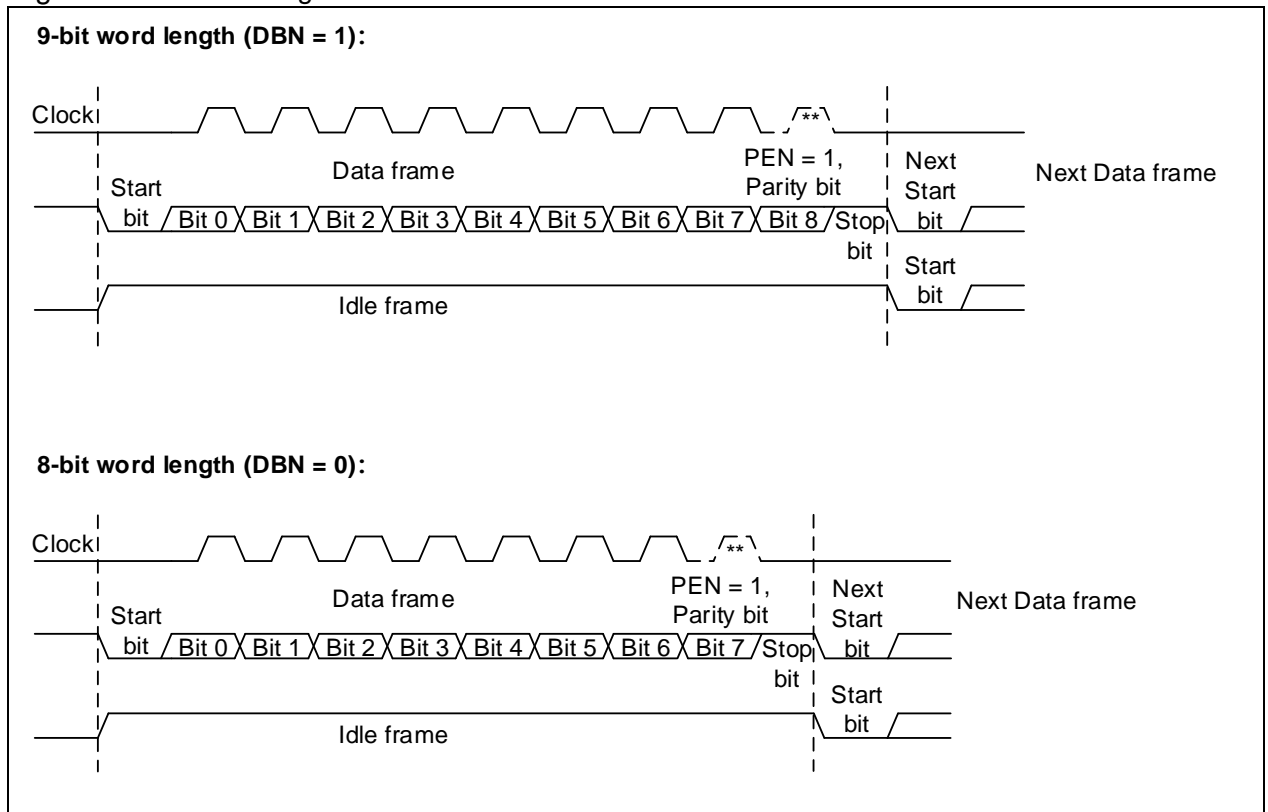
Figure 12-7 8-bit format USART synchronization mode



12.4 USART frame format and configuration

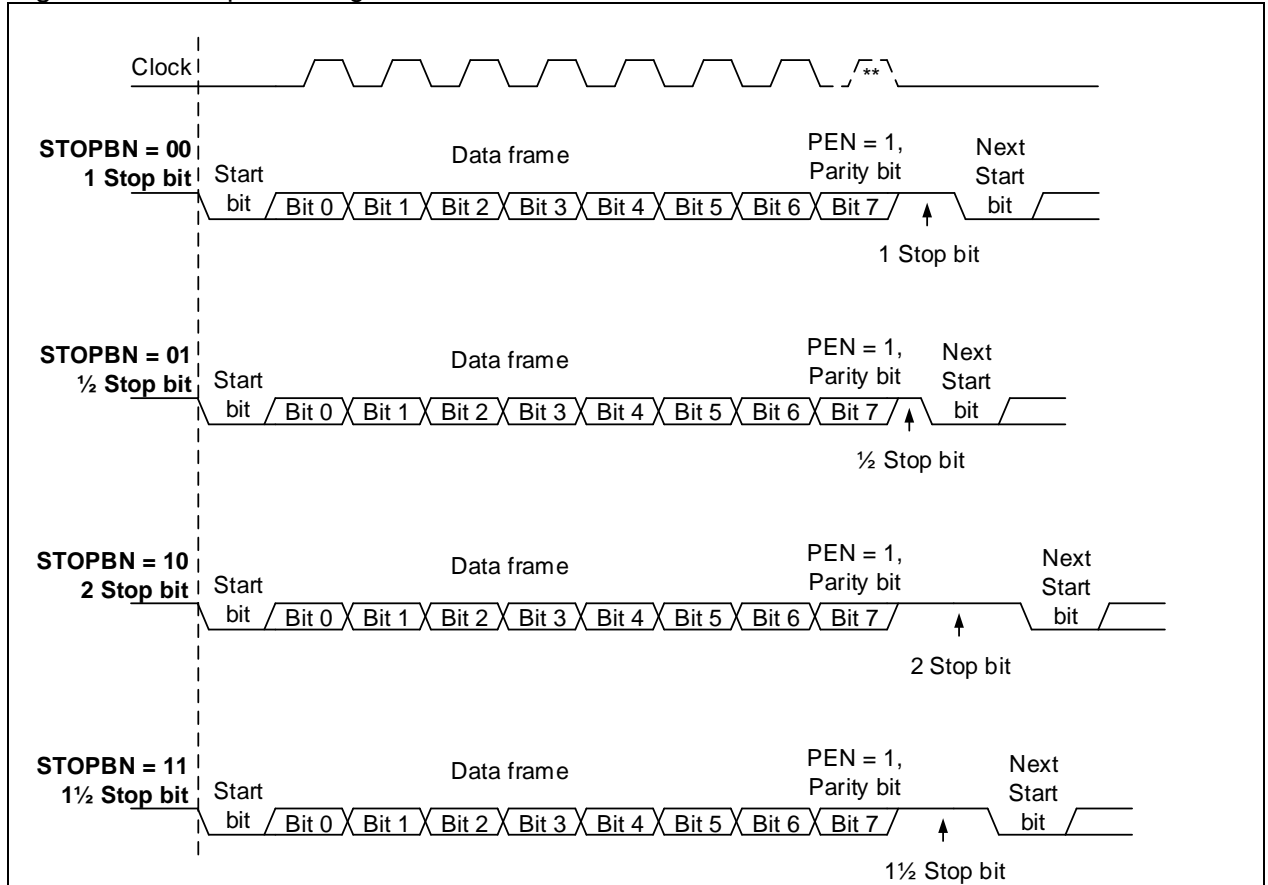
USART data frame consists of start bit, data bit and stop bit, with the last data bit being as a parity bit. USART idle frame size is equal to that of the data frame under current configuration, but all bits are 1. USART break frame size is the current data frame size plus its stop bit. All bits before the stop bit are 0. The DBN bit is used to program 8-bit (DBN=0) or 9-bit (DBN=1) data bits.

Figure 12-8 Word length



The STOPBN bit is used to program one bit (STOPBN=00), 0.5-bit (STOPBN=01), 2-bit (STOPBN=10) and 1.5-bit (STOPBN=11) stop bits.

Set the PEN bit will enable parity control. PSEL=1 indicates Odd parity, while PSEL=0 for Even parity. Once the parity control is enabled, the MSB of the data bit will be replaced with parity bit, that is, the significant data bits are reduced by one bit.

Figure 12-9 Stop bit configuration


12.5 DMA transfer introduction

Enable transmit data buffer and receive data buffer using DMA to achieve continuous high-speed transmission for USART, which is detailed in subsequent sections. For more information on specific DMA configuration, refer to DMA chapter.

12.5.1 Transmission using DMA

1. Select a DMA channel: Select a DMA channel from DMA channel map table described in DMA chapter.
2. Configure the destination of DMA transfer: Configure the USART_DT register address as the destination address bit of DMA transfer in the DMA control register. Data will be sent to this address after transmit request is received by DMA.
3. Configure the source of DMA transfer: Configure the memory address as the source of DMA transfer in the DMA control register. Data will be loaded into the USART_DT register from the memory address after transmit request is received by DMA.
4. Configure the total number of bytes to be transferred in the DMA control register.
5. Configure the channel priority of DMA transfer in the DMA control register.
6. Configure DMA interrupt generation after half or full transfer in the DMA control register.
7. Enable DMA transfer channel in the DMA control register.

12.5.2 Reception using DMA

1. Select a DMA transfer channel: Select a DMA channel from DMA channel map table described in DMA chapter.
2. Configure the destination of DMA transfer: Configure the memory address as the destination of DMA transfer in the DMA control register. Data will be loaded from the USART_DT register to the programmed destination after reception request is received by DMA.
3. Configure the source of DMA transfer: Configure the USART_DT register address as the source of

DMA transfer in the DMA control register. Data will be loaded from the USART_DT register to the programmed destination after reception request is received by DMA.

4. Configure the total number of bytes to be transferred in the DMA control register.
5. Configure the channel priority of DMA transfer in the DMA control register.
6. Configure DMA interrupt generation after half or full transfer in the DMA control register.
7. Enable a DMA transfer channel in the DMA control register.

12.6 Baud rate generation

12.6.1 Introduction

USART baud rate generator uses an internal counter based on PCLK. The DIV (USART_BAUDR [15:0] register) represents the overflow value of the counter. Each time the counter is full, it denotes one-bit data. Thus each data bit width refers to PCLK cycles x DIV.

The receiver and transmitter of USART share the same baud rate generator, and the receiver splits each data bit into 16 equal parts to achieve oversampling, so the data bit width should not be less than 16 PCLK periods, that is, the DIV value must be equal to or greater than 16.

12.6.2 Configuration

User can program the desired baud rate by setting different system clocks and writing different values into the USART_BAUDR register. The calculation format is as follows:

$$\frac{TX}{RX} \text{ baud rate} = \frac{f_{CK}}{DIV}$$

Where, f_{CK} refers to the system clock of USART (i.e. PCLK1/PCLK2)

Note: 1. Write access to the USART_BAUDR register before UEN. The baud rate register value should not be altered when UEN=1.

2. When USART receiver or transmitter is disabled, the internal counter will be reset, and baud rate interrupt will occur.

Table 12-1 Error calculation for programmed baud rate

Baud	fPCLK=36MHz				fPCLK=72MHz		
	Desired (Kbps)	Actual	Value programmed in the baud register	Error%	Actual	Value programmed in the baud register	Error%
1	2.4	2.4	15000	0%	2.4	30000	0%
2	9.6	9.6	3750	0%	9.6	7500	0%
3	19.2	19.2	1875	0%	19.2	3750	0%
4	57.6	57.6	625	0%	57.6	1250	0%
5	115.2	115.384	312	0.15%	115.2	625	0%
6	230.4	230.769	156	0.16%	230.769	312	0.16%
7	460.8	461.538	78	0.16%	461.538	156	0.16%
8	921.6	923.076	39	0.16%	923.076	78	0.16%
9	2250	2250	16	0%	2250	32	0%
10	4500	NA	NA	NA	4500	16	0%

Taking a baud rate of 115.2Kbps as an example, if fPCLK=36MHz, the value in the baud register should be set to 312(0x38). Based on formula, the calculated baud rate (actual) is $36000000 / 312 = 115384 = 115.384\text{Kbps}$. The % error between the desired and actual value is calculated based on the formula: $(\text{Calculated actual result} - \text{Desired}) / \text{desired baud rate} * 100\%$, that is, $(115.384 - 115.2) / 115.2 * 100\% = 0.15\%$.

12.7 Transmitter

12.7.1 Transmitter introduction

USART transmitter has its individual TEN control bit. The transmitter and receiver share the same baud rate that is programmable. There is a transmit data buffer (TDR) and a transmit shift register in the USART. The TDBE bit is set whenever the TDR is empty, and an interrupt is generated if the TDBEIEEN is set.

The data written by software is stored in the TDR register. When the shift register is empty, the data will be moved from the TDR register to the shift register so that the data in the transmit shift register is output on the TX pin in LSB mode. The output format depends on the programmed frame format.

If synchronous transfer or clock output is selected, the clock pulse is output on the CK pin. If the hardware flow control is selected, the control signal is input on the CTS pin.

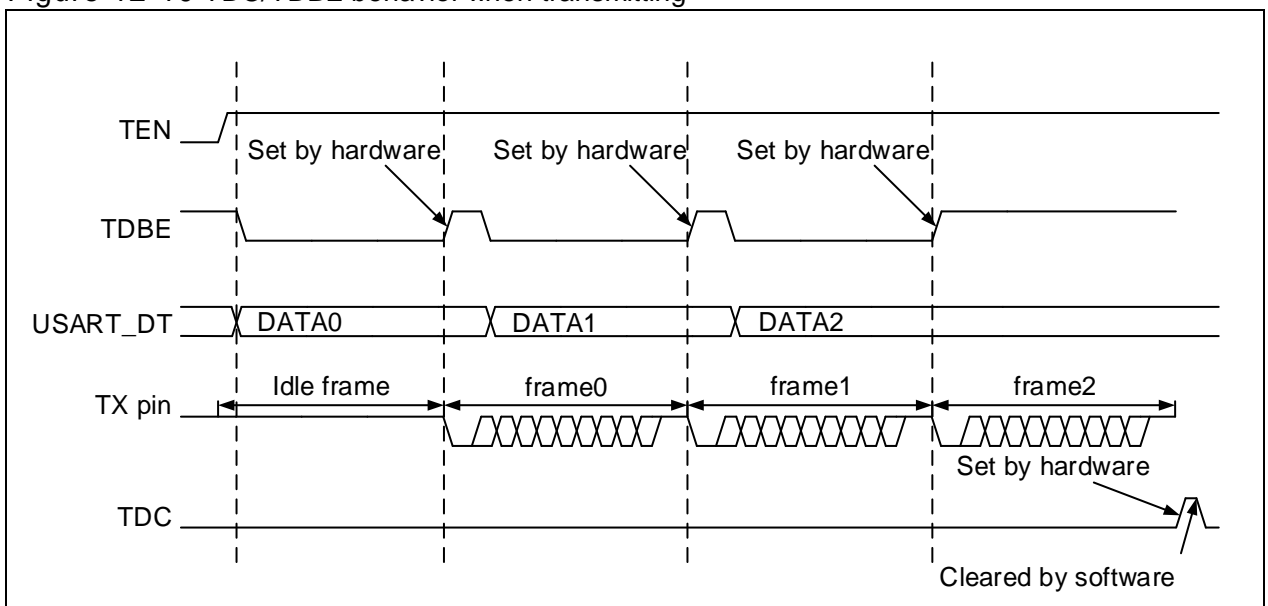
Note: 1. The TEN bit cannot be reset during data transfer, or the data on the TX pin will be corrupted.

2. After the TEN bit is enabled, the USART will automatically send an idle frame.

12.7.2 Transmitter configuration

1. USART enable: Set the UEN bit.
2. Full-duplex/half-duplex configuration: Refer to [12.2 Full-duplex/half-duplex selector](#)
3. Mode configuration: Refer to [12.3 Mode selector](#).
4. Frame format configuration: Refer to [12.4 USART frame format and configuration](#).
5. Interrupt configuration: Refer to [12.9 Interrupt requests](#).
6. DMA transmission configuration: If the DMA mode is selected, the DMATEN bit (bit 3 in the USART_CTRL3 register) is set, and configure DMA register accordingly.
7. Baud rate configuration: Refer to [12.6 Baud rate generation](#).
8. Transmitter enable: When the TEN bit is set, the USART transmitter will send an idle frame.
9. Write operation: Wait until the TDBE bit is set, the data to be transferred will be loaded into the USART_DT register (This operation will clear the TDBE bit). Repeat this step in non-DMA mode.
10. After the last data expected to be transferred is written, wait until the TDC is set, indicating the end of transfer. The USART cannot be disabled before the flag is set, or transfer error will occur.
11. When TDC=1, read access to the USART_STS register and write access to the USART_DT register will clear the TDC bit; This bit can also be cleared by writing "0", but this is valid only in DMA mode.

Figure 12-10 TDC/TDBE behavior when transmitting



12.8 Receiver

12.8.1 Receiver introduction

USART receiver has its individual REN control bit (bit 2 in the USART_CTRL1 register). The transmitter and receiver share the same baud rate that is programmable. There is a receive data buffer (RDR) and a receive shift register in the USART.

The data is input on the RX pin of the USART. When a valid start bit is detected, the receiver ports the data received into the receive shift register in LSB mode. After a full data frame is received, based on the programmed frame format, it will be moved from the receive shift register to the receive data buffer, and the RDBF is set accordingly. An interrupt is generated if the RDBFIEN is set.

If hardware flow control is selected, the control signal is output on the RTS pin.

During data reception, the USART receiver will detect whether there are errors to occur, including framing error, overrun error, parity check error or noise error, depending on software configuration, and whether there are interrupts to generate using the interrupt enable bits.

12.8.2 Receiver configuration

Configuration procedure:

1. USART enable: UEN bit is set.
2. Full-duplex/half-duplex configuration: Refer to [12.2 Full-duplex/half-duplex selector](#).
3. Mode configuration: Refer to [12.3 Mode selector](#).
4. Frame format configuration: Refer to [12.4 USART frame format and configuration](#).
5. Interrupt configuration: Refer to [12.9 Interrupt requests](#).
6. Reception using DMA: If the DMA mode is selected, the DMAREN bit is set, and configure DMA register accordingly.
7. Baud rate configuration: Refer to [12.6 Baud rate generation](#).
8. Receiver enable: REN bit is set.

Character reception:

- The RDBF bit is set. It indicates that the content of the shift register is transferred to the RDR (Receiver Data Register). In other words, data is received and can be read (including its associated error flags)
- An interrupt is generated when the RDBFIEN is set.
- The error flag is set when a framing error, noise error or overrun error is detected during reception.
- In DMA mode, the RDBF bit is set after every byte is received, and it is cleared when the data register is read by DMA.
- In non-DMA mode, the RDBF bit is cleared when read access to the USART_DT register by software. The RDBF flag can also be cleared by writing 0 to it. The RDBF bit must be cleared before the end of next frame reception to avoid overrun error.

Break frame reception:

- Non-LIN mode: It is handled as a framing error, and the FERR is set. An interrupt is generated if the corresponding interrupt bit is enabled. Refer to framing error described below for details.
- LIN mode: It is handled as a break frame, and the BFF bit is set. An interrupt is generated if the BFIEN is set.

Idle frame reception:

- It is handled as a data frame, and the IDLEF bit is set. An interrupt is generated if the IDLEIEN is set.

When a framing error occurs:

- The FERR bit is set.
- The USART receiver moves the invalid data from the receive shift register to the receive data

buffer.

- In non-DMA mode, both FERR and RDBF are set at the same time. The latter will generate an interrupt. In DMA mode, an interrupt is generated if the ERRIEN.

When an overrun error occurs:

- The ROERR bit is set.
- The data in the receive data buffer is not lost. The previous data is still available when the USART_DT register is read.
- The content in the receive shift register is overwritten. Afterwards, any data received will be lost.
- An interrupt is generated if the RDBFIEN is set or both ERRIEN and DMAREN are set.
- The ROERR bit is cleared by reading the USART_STS register and then USART_DT register in order.

Note: If ROERR is set, it indicates that at least one piece of data is lost, with two possibilities:

If RDBF=1, it indicates that the last valid data is still stored in the receive data buffer, and can be read.

If RDBF=0, it indicates that the last valid data in the receive data buffer has already been read.

Note: The REN bit cannot be reset during data reception, or the byte that is currently being received will be lost.

12.8.3 Start bit and noise detection

A start bit detection occurs when the REN bit is set. With the oversampling techniques, the USART receiver samples data on the 3rd, 5th, 7th, 8th, 9th and 10th bits to detect the valid start bit and noise. Table 12-2 shows the data sampling over start bit and noise detection.

Table 12-2 Data sampling over start bit and noise detection

Sampled value (3-5-7)	Sampled value (8-9-10)	NERR bit	Start bit validity
000	000	0	Valid
001/010/100	001/010/100	1	Valid
001/010/100	000	1	Valid
000	001/010/100	1	Valid
111/110/101/011	Any value	1	Invalid
Any value	111/110/101/011	1	Invalid

Note: If the sampling values on the 3rd, 5th, 7th, 8th, 9th, and 10th bits do not match the above mentioned requirements, the USART receiver does not think that a correct start bit is received, and thus it will abort the start bit detection and return to idle state waiting for a falling edge.

The USART receiver has the ability to detect noise. In the non-synchronous mode, the USART receiver samples data on the 7th, 8th and 9th bits, with its oversampling techniques, to distinguish valid data input from noise based on different sampling values, and recover data as well as set NERR (Noise Error Flag) bit.

Table 12-3 Data sampling over valid data and noise detection

Sampled value	NERR bit	Received bit value	Data validity
000	0	0	Valid
001	1	0	Invalid
010	1	0	Invalid
011	1	1	Invalid
100	1	0	Invalid
101	1	1	Invalid
110	1	1	Invalid
111	0	1	Valid

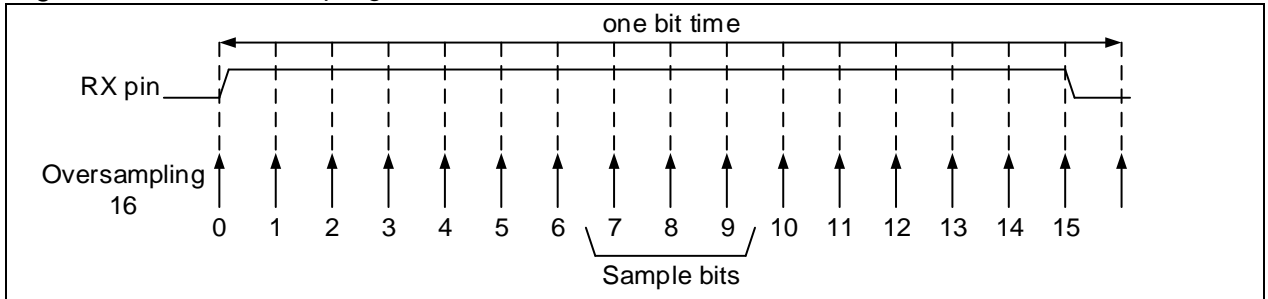
When noise is detected in a data frame:

- The NERR bit is set at the same time as the RDBF bit
- The invalid data is transferred from the receive shift register to the receive data buffer.

- No interrupt is generated in non-DMA mode. However, since the NERR bit is set at the same time as the RDBF bit, the RDBF bit will generate an interrupt. In DMA mode, an interrupt will be issued if the ERRIEN is set.

The NERR bit is cleared by read access to USART_STS register followed by the USART_DT read operation.

Figure 12-11 Data sampling for noise detection



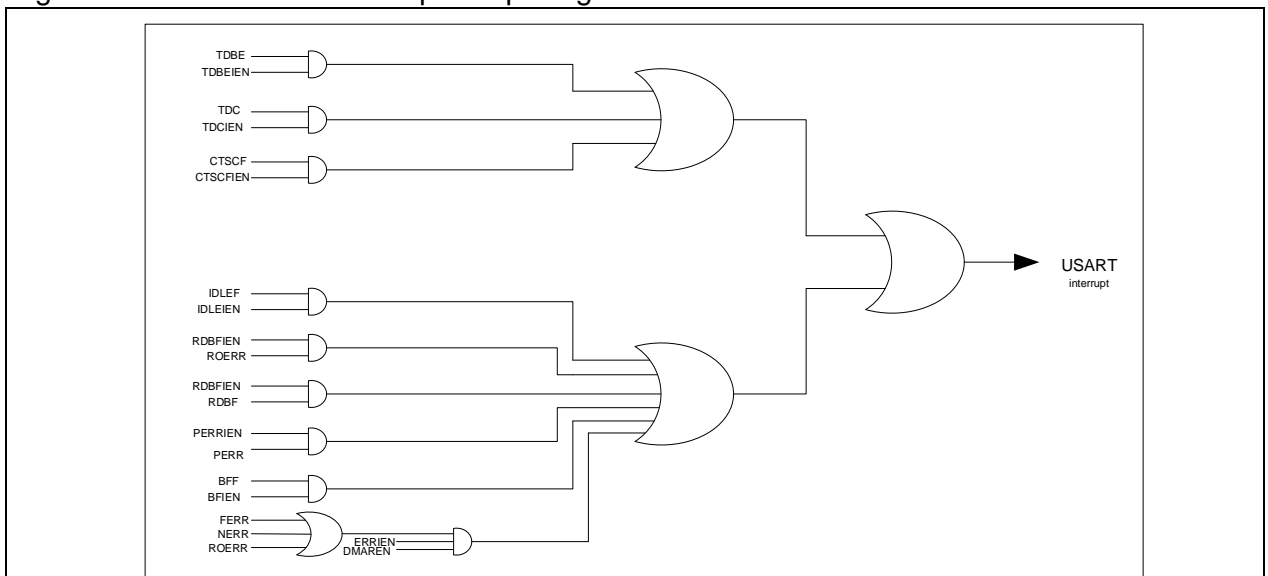
12.9 Interrupt requests

USART interrupt generator is the control center of USART interrupts. It is used to monitor the interrupt source inside the USART in real time and the generation of interrupts according to the programmed interrupt control bits. Table 12-4 shows the USART interrupt source and interrupt enable control bit. An interrupt will be generated over an event when the corresponding interrupt enable bit is set.

Table 12-4 USART interrupt request

Interrupt event	Event flag	Enable bit
Transmit data register empty	TDBE	TDBEIEN
CTS flag	CTSCF	CTSCFIEN
Transmit data complete	TDC	TDCIEN
Receive data buffer full	RDBF	RDBFIEN
Receiver overflow error	ROERR	
Idle flag	IDLEF	IDLEIEN
Parity error	PERR	PERRIEN
Break frame flag	BFF	BFIEN
Noise error, overflow error or framing error	NERR or ROERR or FERR	ERRIEN ⁽¹⁾

Figure 12-12 USART interrupt map diagram



12.10 I/O pin control

The following five interfaces are used for USART communication.

RX: Serial data input.

TX: Serial data output. In single-wire half-duplex and Smartcard mode, the TX pin is used as an I/O for data transmission and reception.

CK: Transmitter clock output. The output CLK phase, polarity and frequency can be programmable.

CTS: Transmitter input. Send enable signal in hardware flow control mode.

RTS: Receiver output. Send request signal in hardware flow control mode.

12.11 USART registers

Table 12-5 USART register map and reset value

Register	Offset	Reset value
USART_STS	0x00	0x0000 00C0
USART_DT	0x04	0x0000 0000
USART_BAUDR	0x08	0x0000 0000
USART_CTRL1	0x0C	0x0000 0000
USART_CTRL2	0x10	0x0000 0000
USART_CTRL3	0x14	0x0000 0000
USART_GTP	0x18	0x0000 0000

12.11.1 Status register (USART_STS)

Bit	Register	Reset value	Type	Description
Bit 31: 10	Reserved	0x000000	resd	Forced to be 0 by hardware.
Bit 9	CTSCF	0x0	rw0c	CTS change flag This bit is set by hardware when the CTS status line changes. It is cleared by software. 0: No change on the CTS status line 1: A change occurs on the CTS status line.
Bit 8	BFF	0x0	rw0c	Break frame flag This bit is set by hardware when a break frame is detected. It is cleared by software. 0: Break frame is not detected. 1: Break frame is detected.
Bit 7	TDBE	0x1	ro	Transmit data buffer empty This bit is set by hardware when the transmit data buffer is empty. It is cleared by a USART_DT register write operation. 0: Data is not transferred to the shift register. 1: Data is transferred to the shift register.
Bit 6	TDC	0x1	rw0c	Transmit data complete This bit is set by hardware at the end of transmission. It is cleared by software. (Option 1: read access to USART_STS register followed by a USART_DT write operation; Option 2: Write "0" to this bit) 0: Transmission is not completed. 1: Transmission is completed.
Bit 5	RDBF	0x0	rw0c	Receive data buffer full This bit is set by hardware when the data is transferred from the shift register to the USART_DT register. It is cleared by software. (Option 1: read USART_DT register;

				Option 2: write "0" to this bit) 0: Data is not received. 1: Data is received.
Bit 4	IDLEF	0x0	ro	Idle flag This bit is set by hardware when an idle line is detected. It is cleared by software. (Read USART_DT register followed by a USART_DT read operation) 0: No idle line is detected. 1: Idle line is detected.
Bit 3	ROERR	0x0	ro	Receiver overflow error This bit is set by hardware when the data is received while the RDBF is still set. It is cleared by software. (Read USART_STS register followed by a USART_DT read operation) 0: No overflow error 1: Overflow error is detected. Note: When this bit is set, the DT register content will not be lost, but the subsequent data will be overwritten.
Bit 2	NERR	0x0	ro	Noise error This bit is set by hardware when noise is detected on a received frame. It is cleared by software. (Read USART_STS register followed by a USART_DT read operation) 0: No noise is detected. 1: Noise is detected.
Bit 1	FERR	0x0	ro	Framing error This bit is set by hardware when a stop bit error (low), excessive noise or break frame is detected. It is cleared by software. USART_STS register followed by a USART_DT read operation) 0: No framing error is detected. 1: Framing error is detected.
Bit 0	PERR	0x0	ro	Parity error This bit is set by hardware when parity error occurs. It is cleared by software. USART_STS register followed by a USART_DT read operation) 0: No parity error occurs. 1: Parity error occurs.

12.11.2 Data register (USART_DT)

Bit	Register	Reset value	Type	Description
Bit 31: 9	Reserved	0x000000	resd	Forced to be 0 by hardware.
Bit 8: 0	DT	0x00	rw	Data value This register provides read and write function. When transmitting with the parity bit enabled, the value written in the MSB bit will be replaced by the parity bit. When receiving with the parity bit enabled, the value in the MSB bit is the received parity bit.

12.11.3 Baud rate register (USART_BAUDR)

Note: If the TEN and REN are both disabled, the baud counter stops counting.

Bit	Register	Reset value	Type	Description
Bit 31: 16	Reserved	0x0000	resd	Forced to be 0 by hardware.
Bit 15: 0	DIV	0x0000	rw	Divider This field defines the USART divider.

12.11.4 Control register1 (USART_CTRL1)

Bit	Register	Reset value	Type	Description
Bit 31: 14	Reserved	0x00000	resd	Forced to be 0 by hardware.
Bit 13	UEN	0x0	rw	USART enable 0: USART is disabled. 1: USART is enable.
Bit 12	DBN	0x0	rw	Data bit num This bit is used to program the number of data bits. 0: 8 data bits 1: 9 data bits
Bit 11	WUM	0x0	rw	Wakeup mode This bit determines the way to wake up silent mode. 0: Waken up by idle line 1: Waken up by ID match
Bit 10	PEN	0x0	rw	Parity enable This bit is used to enable hardware parity control (generation of parity bit for transmission; detection of parity bit for reception). When this bit is enabled, the MSB bit of the transmitted data is replaced with the parity bit; Check whether the parity bit of the received data is correct. 0: Parity control is disabled. 1: Parity control is enabled.
Bit 9	PSEL	0x0	rw	Parity selection This bit selects the odd or even parity after the parity control is enabled. 0: Even parity 1: Odd parity
Bit 8	PERRIEN	0x0	rw	PERR interrupt enable 0: Interrupt is disabled. 1: Interrupt is enabled.
Bit 7	TDBEIEN	0x0	rw	TDBE interrupt enable 0: Interrupt is disabled. 1: Interrupt is enabled.
Bit 6	TDCIEN	0x0	rw	TDC interrupt enable 0: Interrupt is disabled. 1: Interrupt is enabled.
Bit 5	RDBFIEN	0x0	rw	RDBF interrupt enable 0: Interrupt is disabled. 1: Interrupt is enabled.
Bit 4	IDLEIEN	0x0	rw	IDLE interrupt enable 0: Interrupt is disabled. 1: Interrupt is enabled.
Bit 3	TEN	0x0	rw	Transmitter enable This bit enables the transmitter. 0: Transmitter is disabled. 1: Transmitter is enabled.
Bit 2	REN	0x0	rw	Receiver enable This bit enables the receiver. 0: Receiver is disabled. 1: Receiver is enabled.
Bit 1	RM	0x0	rw	Receiver mute This bit determines if the receiver is in mute mode or not. It is set or cleared by software. When the idle line is used to wake up from mute mode, this bit is cleared by hardware

				after wake up. When the address match is used to wake up from mute mode, it is cleared by hardware after wake up. When address mismatches, this bit is set by hardware to enter mute mode again. 0: Receiver is in active mode. 1: Receiver is in mute mode.
Bit 0	SBF	0x0	rw	Send break frame This bit is used to send a break frame. It can be set or cleared by software. Generally speaking, it is set by software and cleared by hardware at the end of break frame transmission. 0: No break frame is transmitted. 1: Break frame is transmitted.

12.11.5 Control register2 (USART_CTRL2)

Bit	Register	Reset value	Type	Description
Bit 31: 15	Reserved	0x00000	resd	Forced to be 0 by hardware.
Bit 14	LINEN	0x0	rw	LIN mode enable 0: LIN mode is disabled. 1: LIN mode is enabled.
Bit 13: 12	STOPBN	0x0	rw	STOP bit num These bits are used to program the number of stop bits. 00: 1 stop bit 01: 0.5 stop bit 10: 2 stop bits 11: 1.5 stop bits
Bit 11	CLKEN	0x0	rw	Clock enable This bit is used to enable the clock pin for synchronous mode or Smartcard mode. 0: Clock is disabled. 1: Clock is enabled.
Bit 10	CLKPOL	0x0	rw	Clock polarity In synchronous mode or Smartcard mode, this bit is used to select the polarity of the clock output on the clock pin in idle state. 0: Clock output low 1: Clock output high
Bit 9	CLKPHA	0x0	rw	Clock phase This bit is used to select the phase of the clock output on the clock pin in synchronous mode or Smartcard mode. 0: Data capture is done on the first clock edge. 1: Data capture is done on the second clock edge.
Bit 8	LBCP	0x0	rw	Last bit clock pulse This bit is used to select whether the clock pulse of the last data bit transmitted is output on the clock pin in synchronous mode. 0: The clock pulse of the last data bit is no output on the clock pin. 1: The clock pulse of the last data bis is output on the clock pin.
Bit 7	Reserved	0x0	resd	Keep at its default value.
Bit 6	BFIEN	0x0	rw	Break frame interrupt enable 0: Disabled 1: Enabled
Bit 5	BFBN	0x0	rw	Break frame bit num This bit is used to select 11-bit or 10-bit break frame.

				0: 10-bit break frame 1: 11-bit break frame
Bit 4	Reserved	0x0	resd	Keep at its default value.
Bit 3: 0	ID	0x0	rw	USART identification Configurable USART ID.

Note: These three bits (CLKPOL, CLKPHA and LBCP) should not be changed while the transmission is enabled.

12.11.6 Control register3 (USART_CTRL3)

Bit	Register	Reset value	Type	Description
Bit 31: 11	Reserved	0x000000	resd	Forced to be 0 by hardware.
Bit 10	CTSCFIEN	0x0	rw	CTSCF interrupt enable 0: Interrupt is disabled. 1: Interrupt is enabled.
Bit 9	CTSEN	0x0	rw	CTS enable 0: CTS is disabled. 1: CTS is enabled.
Bit 8	RTSEN	0x0	rw	RTS enable 0: RTS is disabled. 1: RTS is enabled.
Bit 7	DMATEN	0x0	rw	DMA transmitter enable 0: DMA transmitter is disabled. 1: DMA transmitter is enabled.
Bit 6	DMAREN	0x0	rw	DMA receiver enable 0: DMA receiver is disabled. 1: DMA receiver is enabled.
Bit 5	SCMEN	0x0	rw	Smartcard mode enable 0: Smartcard mode is disabled. 1: Smartcard mode is enabled.
Bit 4	SCNACKEN	0x0	rw	Smartcard NACK enable This bit is used to send NACK when parity error occurs. 0: NACK is disabled when parity error occurs. 1: NACK is enabled when parity error occurs.
Bit 3	SLBEN	0x0	rw	Single-wire bidirectional half-duplex enable 0: Single-wire bidirectional half-duplex is disabled. 1: Single-wire bidirectional half-duplex is enabled.
Bit 2	IRDALP	0x0	rw	IrDA low-power mode This bit is used to configure IrDA low-power mode. 0: IrDA low-power mode is disabled. 1: IrDA low-power mode is enabled.
Bit 1	IRDAEN	0x0	rw	IrDA enable 0: IrDA is disabled. 1: IrDA is enabled.
Bit 0	ERRIEN	0x0	rw	Error interrupt enable An interrupt is generated when a framing error, overflow error or noise error occurs. 0: Error interrupt is disabled. 1: Error interrupt is enabled.

12.11.7 Guard time and divider register (GDIV)

Bit	Register	Reset value	Type	Description
Bit 31: 16	Reserved	0x0000	resd	Forced to be 0 by hardware.
Bit 15: 8	SCGT	0x00	rw	Smartcard guard time value This field specifies the guard time value. The transmission complete flag is set after this guard time in smartcard mode.
Bit 7: 0	ISDIV	0x00	rw	IrDA/smartcard division In IrDA mode: 8 bit [7: 0] is valid. It is valid in common mode and must be set to 00000001. In low-power mode, it divides the peripheral clock to serve as the period base of the pulse width; 00000000: Reserved–Do not write. 00000001: Divided by 1 00000010: Divided by 2 Smartcard mode: the lower 5 bit [4: 0] is valid. This division is used to divide the peripheral clock to provide clock for the Smartcard. Configured as follows: 00000: Reserved–Do not write. 00001: Divided by 2 00010: Divided by 4 00011: Divided by 6

13 Serial peripheral interface (SPI)

13.1 SPI introduction

The SPI interace supports either the SPI protocol or the I²S protocoal, depending on software configuration. This chapter gives an introduction of the main features and congiruation procedure of SPI used as SPI or I²S.

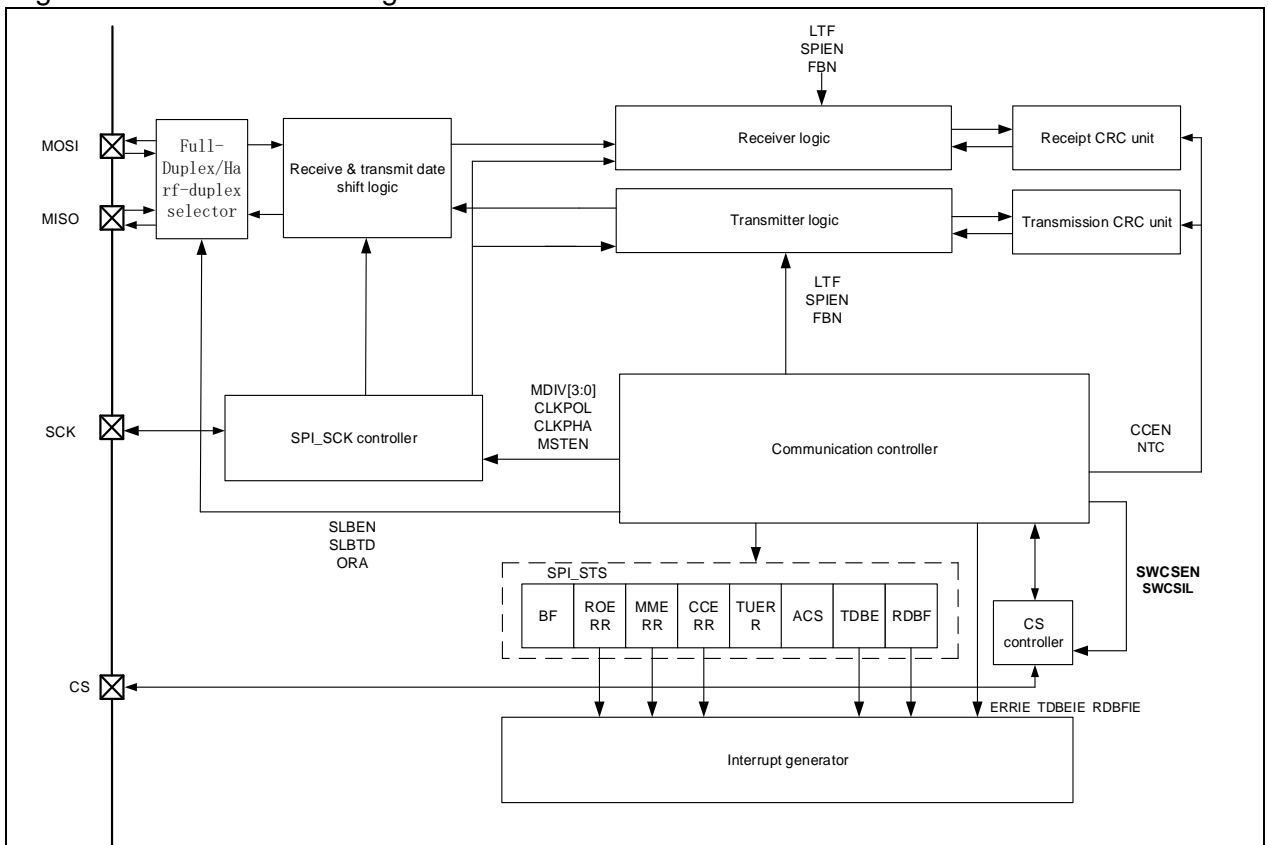
13.2 Function overview

13.2.1 SPI description

The SPI can be configured as host or slave based on software configuration, supporting full-duplex, reception-only full-duplex and transmission-only/reception-only half-duplex modes, DMA transfer, and automatic CRC function of SPI internal hardware.

SPI block diagram:

Figure 13-1 SPI block diagram



Main features as SPI:

- Full-duplex or half-duplex communication
 - Full-duplex synchronous communication (supporting reception-only mode to release IO for transmission)
 - Half-duplex synchronous communication (transfer direction is configurable: receive or transmit)
- Master or slave mode
- CS signal processing mode
 - CS signal processing by hardware
 - CS signal processing by software
- 8-bit or 16-bit frame format
- Communication frequency and prescalers (prescaler up to $f_{PCLK}/2$)

- Programmable clock clarity and phase
- Programmable data transfer order (MSB-first or LSB-first)
- Programmable error interrupt flags (receiver overflow error, master mode error and CRC error)
- Programmable transmit data buffer empty interrupt and receive data buffer full interrupt
- Support transmission and reception using DMA
- Support hardware CRC transmission and error checking
- Busy status flag

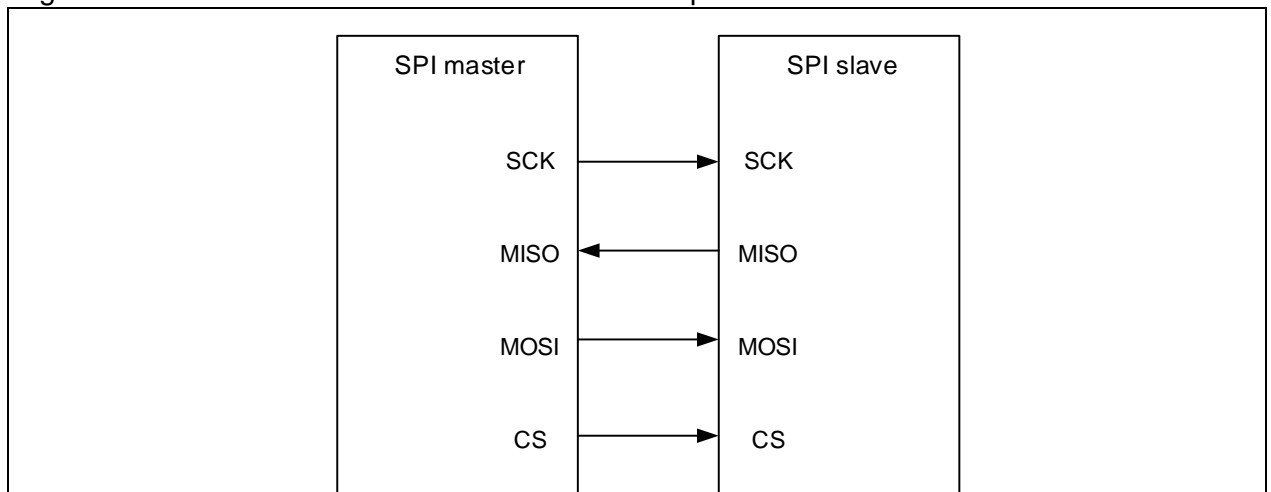
13.2.2 Full-duplex/half-duplex selector

When used as an SPI interface, it supports four synchronous modes: two-wire unidirectional full-duplex, single-wire unidirectional receive only, single-wire bidirectional half-duplex transmit and single-wire bidirectional half-duplex receive.

Figure 13-2 shows the two-wire unidirectional full-duplex mode and SPI IO connection:

The SPI operates in two-wire unidirectional full-duplex mode when the SLBEN bit and the ORA bit is both 0. In this case, the SPI supports data transmission and reception at the same time. IO connection is as follows:

Figure 13-2 SPI two-wire unidirectional full-duplex connection



In either master or slave mode, it is required to wait until the RDBF bit and TDBE bit is set, and BF=0 before disabling the SPI or entering power-saving mode (or disabling SPI system clock).

Figure 13-3 shows the single-wire unidirectional receive-only mode and SPI IO connection

The SPI operates in single-wire unidirectional receive-only mode when the SLBEN is 0 and the ORA is set. In this case, the SPI can be used only for data reception (transmission is not supported). The MISO pin transmits data in slave mode and receives data in master mode. The MOSI pin transmits data in master mode and receives data in slave mode.

Figure 13-3 Single-wire unidirectional receive only in SPI master mode

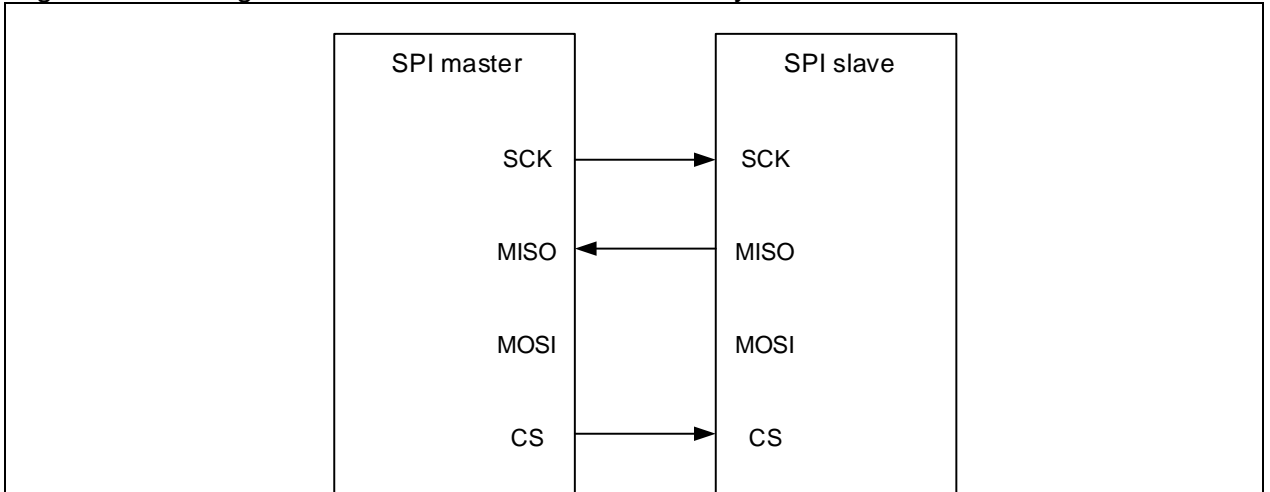
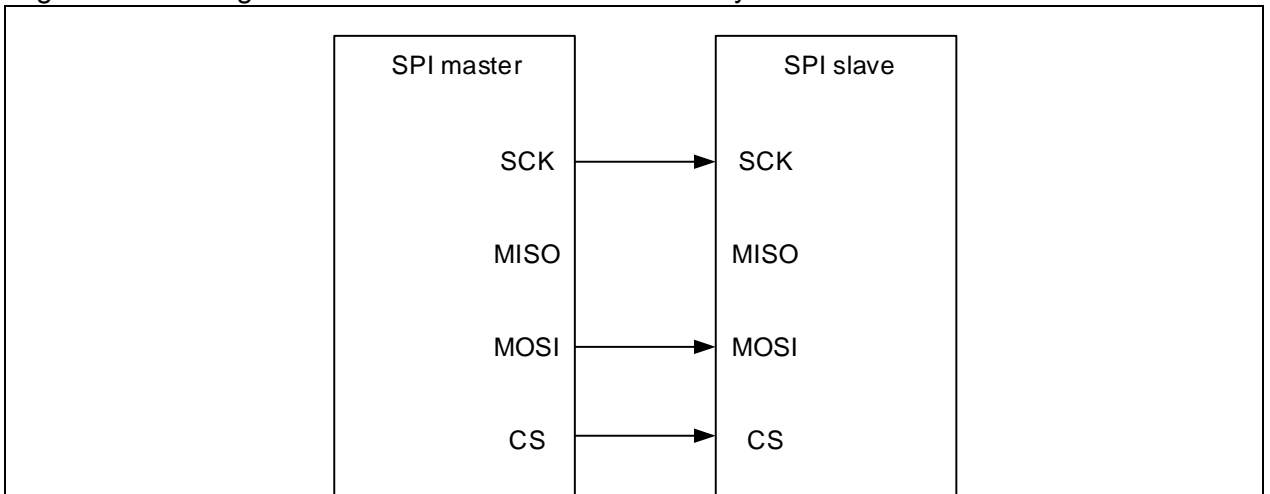


Figure 13-4 Single-wire unidirectional receive only in SPI slave mode



In master mode, it is necessary to wait until the second-to-last RDBF bit is set and then another SPI_CPK period before disabling the SPI. The last RDBF must be set before entering power-saving mode (or disabling SPI system clock).

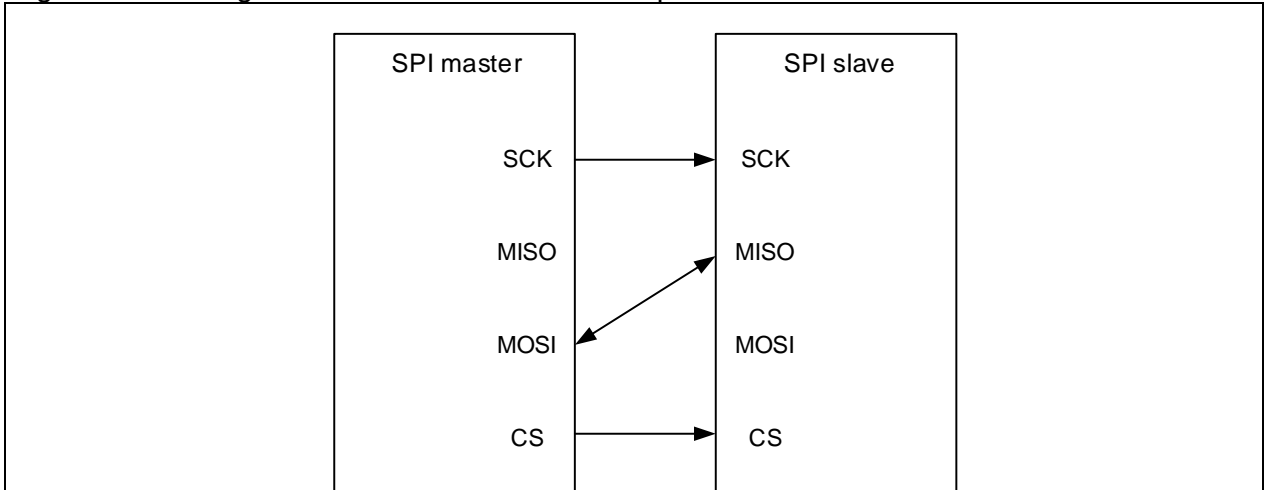
In slave mode, there is no need to check any flag before disabling the SPI. However, it is required to wait until the BF becomes 0 before entering power-saving mode.

Figure 13-5 shows single-wire bidirectional half-duplex mode and SPI IO connection

When the SLBEN is set, the SPI operates in single-wire bidirectional half-duplex mode. In this case, the SPI supports data reception and transmission alternately. In master mode, the MOSI pin transmits or receives data in master mode, while the MISO pin is released. In slave mode, the MISO pin transmits or receives data, but the MOSI pin is released.

The SLBTD bit is used by software to configure transfer direction. When the SLBTD bit is set, the SPI can be used only for data transmission; when the SLBTD bit is 0, the SPI can be used only for data reception.

Figure 13-5 Single-wire bidirectional half-duplex mode



When the SPI is selected for data transmission in single-wire bidirectional half-duplex mode (master or slave), the TDBE bit must be set, and the BF must be 0 before disabling the SPI. The power-saving mode (or disabling SPI system clock) cannot be entered unless the SPI is disabled.

In master mode, when the SPI is selected for data reception in single-wire bidirectional half-duplex mode, it is required to wait until the second-to-last RDBF is set and then another SPI_SCK period before disabling the SPI. And the last RDBF must be set before entering power-saving mode (or disabling SPI system clock).

In slave mode, when the SPI is selected for data reception in single-wire bidirectional half-duplex mode, there is no need to check any flags before disabling the SPI. However, the BT must be 0 before entering power-saving mode (or disabling SPI system clock).

13.2.3 Chip select controller

The Chip select controller (CS) is used to enable hardware or software control for chip select signals through software configuration. This controller is used to select master/slave device in multi-processor mode, and to avoid conflicts on the data lines by enabling the SCK signal output followed by CS signal. The hardware and software configuration procedure is detailed as follows, along with their respective input/output in master and slave mode.

CS hardware configuration procedure:

In master mode with CS being as an output, HWCSOE=1, SWCSEN=0, the CS hardware control is enabled. If the SPI is enabled, low level is output on the CS pin. The CS signal is then released after the SPI is disabled and the transmission is complete.

In master mode with CS being as an input, HWCSOE=0, SWCSEN=0, the CS hardware control is enabled. At this point, the SPI is automatically disabled by hardware and enters slave mode as soon as the CS pin low is detected by master SPI. The mode error flag (MMERR bit) is set at the same time. An interrupt is generated if ERRIE=1. When the MMERR is set, the SPIEN and MSTEN cannot be set by software. The MMERR is cleared by read or write access to the SPI_STS register followed by write operation to the SPI_CTRL1 register.

In slave mode with CS being as an input, HWCSOE=0, SWCSEN=0, the CS hardware control is enabled. The slave selects whether to transmit / receive data based on the level on the CS pin. The slave is selected for data reception and transmission only when the CS pin is low.

CS software configuration procedure:

In master mode with CS being as an input, SWCSEN=1, the CS software control is enabled. When SWCSIL=0, the SPI is automatically disabled by hardware and enters slave mode. The mode error flag (MMERR bit) is set at this time. An interrupt is generated if ERRIE=1. When the MMERR bit is set, the SPIEN and MSTEN bits cannot be set by software. The MMERR bit is cleared by read or write access to the SPI_STS register followed by write operation to the SPI_CTRL1 register.

In slave mode with CS being as an input, SWCSEN=1, the CS software control is enabled. The SPI judges the CS signal with the SWCSIL bit, instead of CS pin. When SWCSIL=0, the slave is selected for data reception and transmission.

13.2.4 SPI_SCK controller

The SPI protocol adopts synchronous transmission. In master mode with the SPI being as SPI, it is required to generate a communication clock for data reception and transmission on the SPI, and the communication clock should be output to the slave via IO for data reception and transmission. In slave mode, the communication clock is provided by peripherals, and is input to the SPI via IO. In all, the SPI_SCK controller is used for the generation and distribution of SPI_SCK, with the configuration procedure detailed as follows:

SPI_SCK controller configuration procedure:

- Clock polarity and clock phase selection: It is selected by setting the CLKPOL and CLKPHA bit.
- Clock prescaler selection: Select the desired PCLK frequency by setting the CRM bit. Select the desired prescaler by setting the MDIV[3: 0] bit.
- Master/slave selection: Select SPI as master or slave by setting the MSTEN bit.

Note that the clock output is activated after the SPI is enabled in master reception-only mode, and it remains output until when the SPI is disabled and the reception is complete.

13.2.5 CRC

There is an independent transmission and reception CRC calculation unit in the SPI. When used as SPI through software configuration, the SPI enables CRC calculation and CRC check automatically while the user is reading or writing through DMA or CPU. During the transmission, if the received data is not consistent with, detected by hardware, the data in the SPI_RCRC register, and such data is exactly the CRC value, then the CCERR bit will be set. An interrupt is generated if ERRIE=1.

The CRC function and configuration procedure of the SPI are described as follows.

CRC configuration procedure

- CRC calculation polynomial is configured by setting the SPI_CPOLY register.
- CRC enable: The CRC calculation is enabled by setting the CCEN bit. This operation will reset the SPI_RCRC and SPI_TCRC registers.
- Select if or when the NTC bit is set, depending on DMA or CPU data register. See the following descriptions.

Transmission using DMA

When DMA is used to write the data to be transmitted, if the CCEN bit is enabled, the hardware calculates the CRC value automatically according to the value in the SPI_CPOLY register and each transmitted data, and sends the CRC value at the end of the last data transmission. This result is regarded as the value of the SPI_TCRC register.

Reception using DMA

When DMA is used to read the data to be received, if the CCEN bit is enabled, the hardware calculates the CRC value automatically according to the value in the SPI_CPOLY register and each received data, and waits until the completion of CRC data reception at the end of the last data reception before comparing the received CRC value with the value of the SPI_RCRC register. If check error occurs, the CCERR flag is set. An interrupt is generated if the ERRIE bit is enabled.

Transmission using CPU

Unlike DMA mode, after writing the last data to be transmitted, the CPU mode requires the NTC bit to be set by software before the end of the last data transmission.

Reception using CPU

In two-wire unidirectional full-duplex mode, follow CPU transmission mode to operate the NTC bit, the CRC calculation and check in CPU reception mode will be completed automatically.

In single-wire unidirectional reception-only mode and single-wire bidirectional reception-only mode, it is required to set the NTC bit before the software receives the last data when the second-to-last data is received.

13.2.6 DMA transfer

The SPI supports write and read operations with DMA. Refer to the following configuration procedure. Special attention should be paid to: when the CRC calculation and check is enabled, the number of data transferred by DMA is configured as the number of the data to be transferred. The number of data read with DMA is configured as the number of the data to be received. In this case, the hardware will send CRC automatically at the end of full transfer, and the receiver will also perform CRC check. Note that the received CRC data will be moved into the SPI_DT register by hardware, with the RDBF being set, and the DMA read request will be sent if then DAM transfer is enabled. Hence, it is recommended to read the SPI_DT register to get the CRC value at the end of CRC reception in order to avoid the upcoming transfer error.

Transmission with DMA

- Select DMA channel: Select a DMA channel for the current SPI from DMA channel map table described in DMA chapter.
- Configure the destination of DMA transfer: Configure the SPI_DT register address as the destination address bit of DMA transfer in the DMA control register. Data will be sent to this address after transmit request is received by DMA.
- Configure the source of DMA transfer: Configure the memory address as the source of DMA transfer in the DMA control register. Data will be loaded into the SPI_DT register from the memory address after transmit request is received by DMA.
- Configure the total number of bytes to be transferred in the DMA control register.
- Configure the channel priority of DMA transfer in the DMA control register.
- Configure DMA interrupt generation after half or full transfer in the DMA control register.
- Enable DMA transfer channel in the DMA control register.

Reception with DMA

- Select DMA transfer channel: Select a DMA channel for the current SPI from DMA channel map table described in DMA chapter.
- Configure the destination of DMA transfer: Configure the memory address as the destination of DMA transfer in the DMA control register. Data will be loaded from the SPI_DT register to the programmed destination after reception request is received by DMA.
- Configure the source of DMA transfer: Configure the SPI_DT register address as the source of DMA transfer in the DMA control register. Data will be loaded from the SPI_DT register to the programmed destination after reception request is received by DMA.
- Configure the total number of bytes to be transferred in the DMA control register.
- Configure the total number of bytes to be transferred in the DMA control register.
- Configure DMA interrupt generation after half or full transfer in the DMA control register.
- Enable DMA transfer channel in the DMA control register.

13.2.7 Transmitter

The SPI transmitter is clocked by SPI_SCK controller. It can output different data frame formats, depending on software configuration. There is a SPI_DT register available in the SPI that is used to be written with the data to be transmitted. When the transmitter is clocked, the contents in the SPI_DT register are copied into the data buffer (Unlike SPI_DT, it is driven by SPI_SCK, and controlled by hardware, instead of software), and sent out in order based on the programmed frame format.

Both DMA and CPU can be used for write operation. For DMA transfer, refer to DMA transfer section for more details. For CPU transfer, attention should be paid to the TDBE bit. The reset value of this bit is 1, indicating that the SPI_DT register is empty. If the TDBEIE bit is set, an interrupt is generated. After the data is written, the TDBE is pulled low until the data is moved to the transmit data buffer before the TDBE is set once again. This means that the user can be allowed to write the data to be transmitted only when the TDBE is set.

After the transmitter is configured and the SPI is enabled, the SPI is ready for data transmission. Before going forward, it is necessary for the users to refer to full-duplex / half-duplex chapter to get detailed

configuration information, go to the Chip select controller chapter for specific chip select mode, check the SPI_SCK controller chapter for information on communication clock, and refer to CRC and DMA transfer chapter to configure CRC and DMA (if necessary). The recommended configuration procedure are as follows.

Transmitter configuration procedure:

- Configure full-duplex/half-duplex selector
- Configure chip select controller
- Configure SPI_SCK controller
- Configure CRC (if necessary)
- Configure DMA transfer (if necessary)
- If the DMA transfer mode is not used, the software will check whether to enable transmit data interrupt (TDBEIE =1) through the TDBE bit.
- Configure frame format: select MSB/LSB mmode with the LTF bit, and select 8/16-bit data with the FBN bit
- Enable SPI by setting the SPIEN

13.2.8 Receiver

The SPI receiver is clocked by the SPI_SCK controller. It can output different data frame formats through software configuration. There is a receive data buffer register, driven by the SPI_SCK, in the SPI receiver. At the last CLK of each transfer, the data is moved from the shift register to the receive data buffer register. Then the transmitter sets the receive data complete flag to the SPI logic. When the flag is detected by the SPI logic, the data in the receive data buffer is copied into the SPI_DT register, with the RDBF being set. This means that the data is received, and it is already stored into the SPI_DT. In this case, read access to the SPI_DT register will clear the RDBF bit.

Both DMA and CPU can be used for read operation. For DMA transfer, refer to DMA transfer section for more details. For CPU transfer, attention should be paid to the RDBE bit. The reset value of this bit is 0, indicating that the SPI_DT register is empty. If the data is received and moved into the SPI_DT, the RDBF is set, meaning that there are some data to be read in the SPI_DT register. An interrupt is generated if the RDBFIE bit is set.

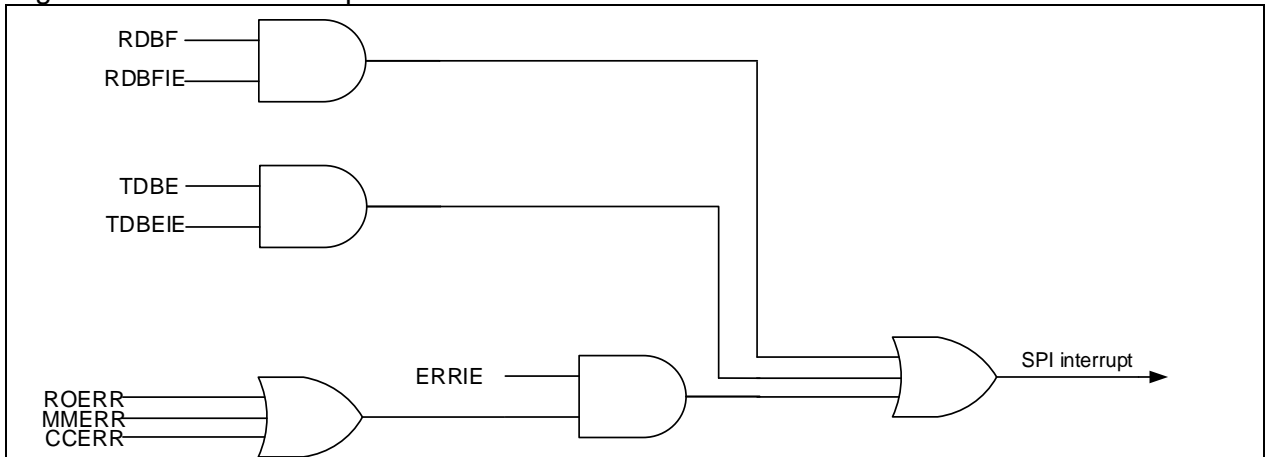
When the next received data is ready to be moved to the SPI_DT register, if the previous received data is still not read (RDBF=1), then the data overflow occurs. The previous receive data is not lost, but the next received data will do. At this point, the ROERR is set. An interrupt is generated if the ERRIE is set. Read SPI_DT register and then the SPI_STS register will clear the ROERR bit. The recommended configuration procedure is as follows.

Receiver configuration procedure:

- Configure full-duplex/half-duplex selector
- Configure chip select controller
- Configure SPI_SCK controller
- Configure CRC (if necessary)
- Configure DMA transfer (if necessary)
- If the DMA transfer mode is not used, the software will check whether to enable receive data interrupt (RDBEIE =1) through the RDBE bit.
- Configure frame format: select MSB/LSB mmode with the LTF bit, and select 8/16-bit data with the FBN bit
- Enable SPI by setting the SPIEN

13.2.9 Interrupt

Figure 13-6 SPI interrupts



13.2.10 IO pin control

Usually, the SPI is connected to external devices through four pins:

- MISO: Master In/Slave Out. The pin receives data in master mode, and transmit data in slave mode.
- MOSI: Master Out/Slave In. The pin transmits data in master mode, and receives data in slave mode.
- SCK: SPI communication clock. The pin serves as output in master mode, and input in slave mode.
- CS: Chip Select. This is an optional pin which selects master/slave mode.

Note: Some of SPI1/I²S1 and SPI3/I²S3 are shared with JTAG pins (SPIx_CS/I²Sx_WS shared with JTDI, SPIx_SCK/I²Sx_CK with JTDO), so these pins are not controlled by IO controller, and they are used as JTAG by default after each reset. To configure them as SPIx/I²Sx, the JTAG should be disabled (during debugging) and switched to SWD interface, or both the JTAG and SWD are disabled (during normal run)

13.2.11 Precautions

The software is required to read the DT register in order to get CRC value at the end of CRC reception.

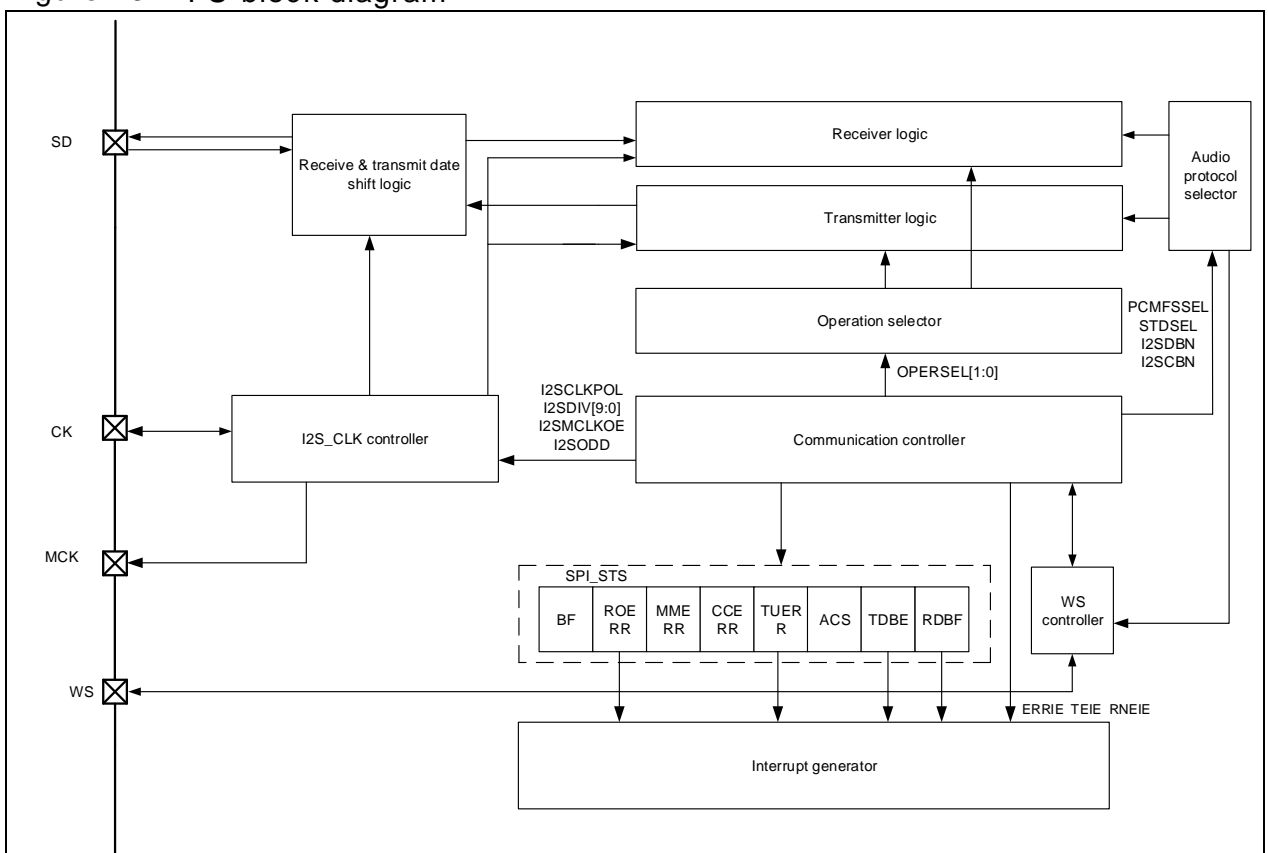
13.3 I²S functional description

13.3.1 I²S introduction

The I²S can be configured by software as master reception/transmission, and slave reception/transmission, supporting four kinds of audio protocols including Philips standard, MSB-aligned standard, LSB-aligned standard and PCM standard, respectively. The DMA transfer is also supported.

A single I²S supports half-duplex. However, it can work with the two additional instantiated I²S modules (I²S2EXT and I²S3EXT) to achieve full-duplex mode. In other words, combining the I²S2 with the I²S2EXT enables the I²S2 to support full-duplex mode. This is true for the I²S3 through the combination of the I²S3 with the I²S3EXT. Refer to I²S full-duplex section for more information.

Figure 13-7 I²S block diagram



Main features when the SPI is used as I²S:

- Programmable operation mode
 - Slave device transmission
 - Slave device reception
 - Master device transmission
 - Master device reception
- Programmable clock polarity
- Programmable clock frequency (8 KHz to 192 KHz)
- Programmable data bits (16 bit, 24 bit, 32 bit)
- Programmable channel bits (16 bit, 24 bit)
- Programmable audio protocol
 - I²S Philips standard
 - MSB-aligned standard (left-aligned)

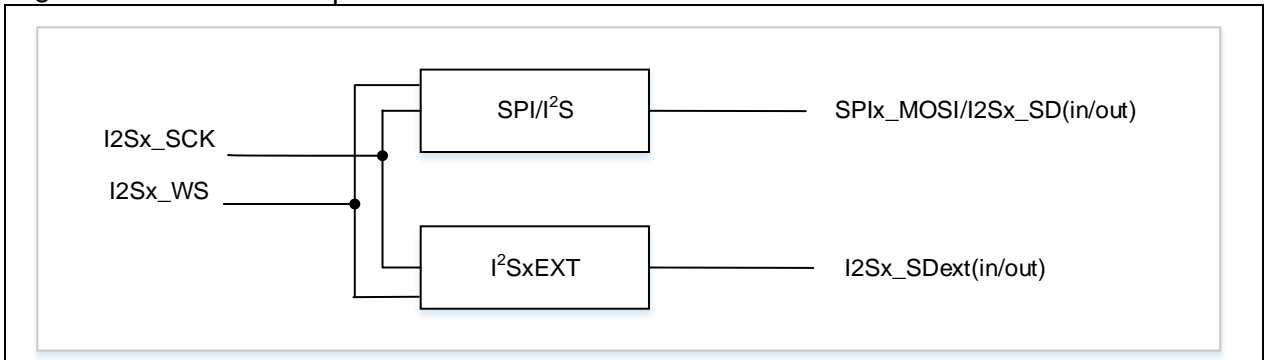
- LSB-aligned standard (right-aligned)
- PCM standard (long or short frame)
- I²S full-duplex
- DMA transfer
- Main peripheral clock with a fixed frequency of 256x Fs (audio sampling frequency)

13.3.2 I²S full-duplex

Two extra I2S modules (I2S2EXT and I2S3EXT) are used to support I2S full-duplex mode. Combine the I2S2 with the I2S2EXT, and I2S3 with I2S3EXT to support full-duplex mode.

Note: I2S2EXT and I2S3EXT only used for I2S full-duplex mode.

Figure 13-8 I²S full-duplex structure



I²Sx can be used as master, where x should be 2 or 3

- In half-duplex mode, only I²Sx can output SCK and WS
- In full-duplex mode, only I²Sx can output SCK and WS

I²SxEXT is only used for full-duplex mode, and I²SxEXT only for slave mode

Both the I²Sx and I²SxEXT can be configured as transmit or receive mode.

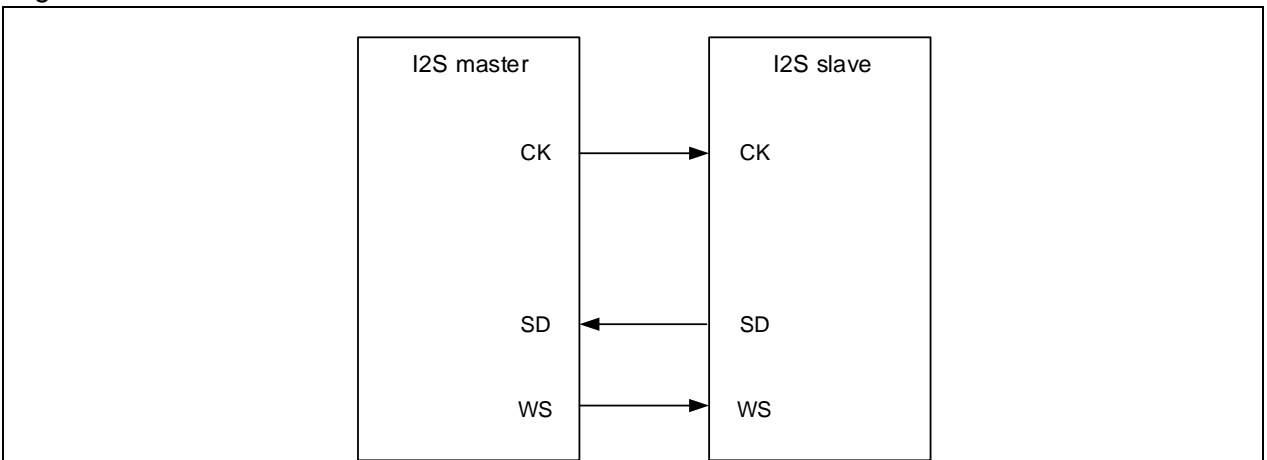
13.3.3 Operation mode selector

The SPI, used as I2S selector, offers multiple operation modes for selection, namely, slave device transmission, slave device reception, master device transmission and master device reception. This is done by software configuration.

Slave device transmission:

Set the I2SMSEL bit, and OPERSEL[1:0]=00, the I2S will work in slave device transmission mode.

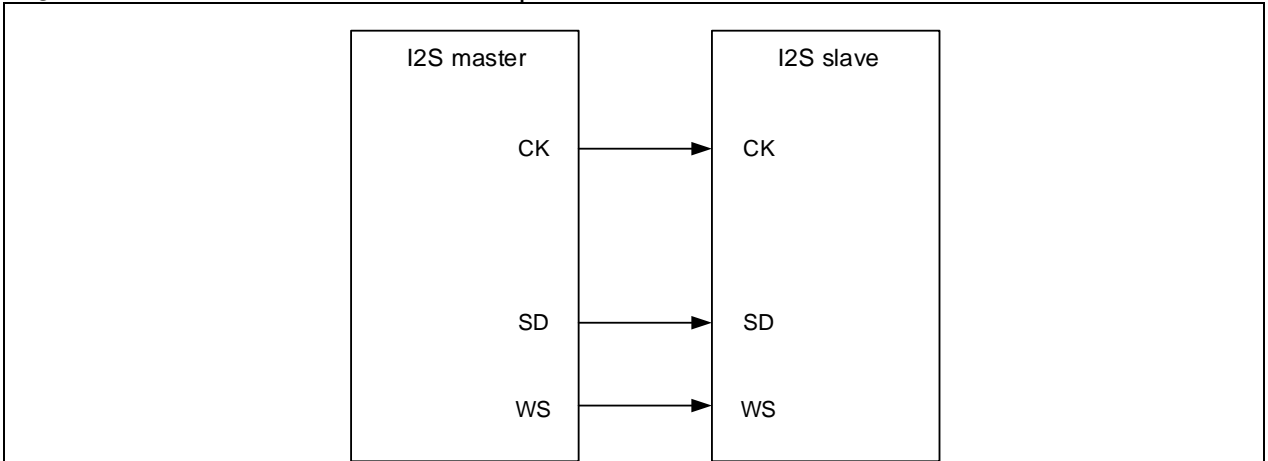
Figure 13-9 I²S slave device transmission



Slave device reception:

Set the I2SMSEL bit, and OPERSEL[1:0]=01, the I²S will work in slave device reception mode.

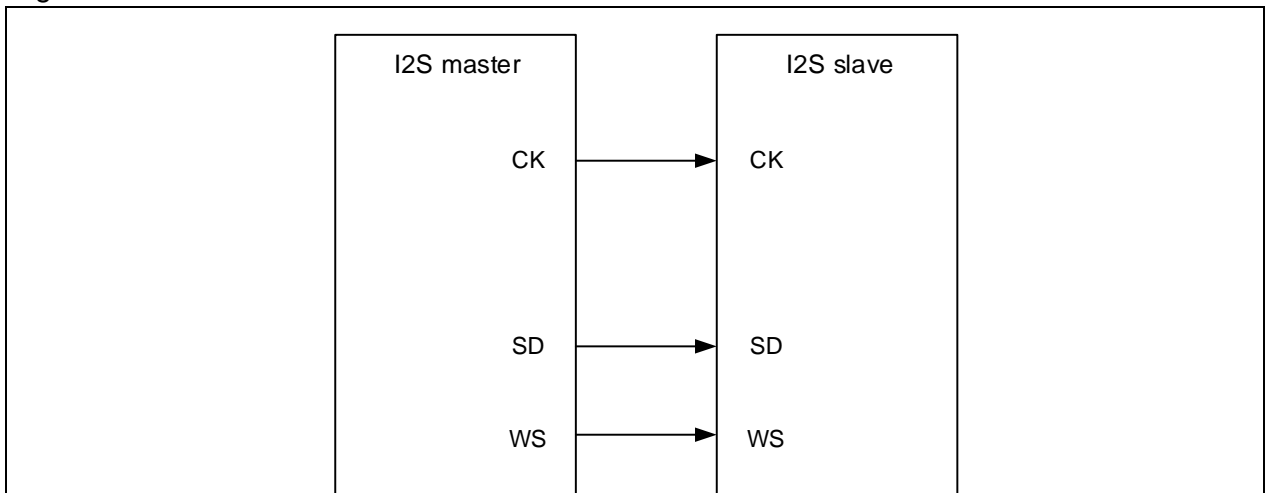
Figure 13-10 I²S slave device reception



Master device transmission:

Set the I2SMSEL bit, and OPERSEL[1:0]=10, the I²S will work in master device transmission mode.

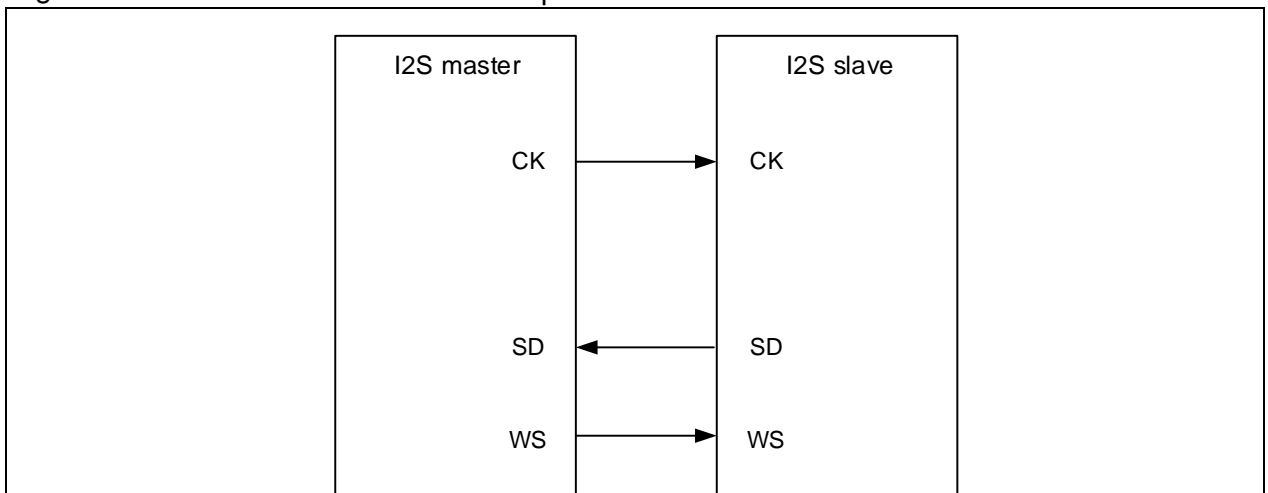
Figure 13-11 I²S master device transmission



Master device reception:

Set the I2SMSEL bit, and OPERSEL[1: 0]=11, the I²S will work in master device reception mode.

Figure 13-12 I²S master device reception



13.3.4 Audio protocol selector

While being used as I²S, the SPI supports multiple audio protocols. The user can control the audio protocol selector through software configuration to select the desired audio protocol, with the data bits and channel bits being controlled by the audio protocol selector. Besides, the user can also select the data

bits and channel bits through software configuration. Meanwhile, the audio protocol selector manages the WS controller, output or detect the WS signal that meets the protocol requirements.

- Select audio protocol by setting the STDSEL bit
 STDSLE=00: Philips standard
 STDSLE=01: MSB-aligned standard (left-aligned)
 STDSLE=10: LSB-aligned standard (right-aligned)
 STDSLE=11: PCM standard
- Select PCM frame synchronization format: PCMFSEL=1 for PCM long frame synchronization, PCMFSEL=0 for short frame synchronization (this step is required when selecting PCM protocol)
- Select data bits by setting the I2SDBN bit
 I2SDBN=00: 16 bit
 I2SDBN =01: 24 bit
 I2SDBN =10: 32 bit
- Select channel bits by setting the I2SCBN bit
 I2SDBN =0: 16 bit
 I2SDBN =1: 32 bit

Note: Read/Write operation mode depends on the selected audio protocols, data bits and channel bits. The following lists all possible configuration combinations and their respective read and write operation mode.

- Philips standard, PCM standard, MSB-aligned or LSB-aligned standard, 16-bit data and 16-bit channel

The data bit is the same as the channel bit. Each channel requires one read/write operation from/to the SPI_DT register, and the number of DMA transfer is 1.

- Philips standard, PCM standard or MSB-aligned standard, 16-bit data and 32-bit channel

The data bit is different from the channel bit. Each channel requires one read/write operation from/to the SPI_DT register, and the number of DMA transfer is 1. The first 16 bits (MSB) are the significant bits, and the 16-bit LSB is forced to 0 by hardware.

- Philips standard, PCM standard or MSB-aligned standard, 24-bit data and 32-bit channel

The data bit is different from the channel bit. Each channel requires two read/write operations from/to the SPI_DT register, and the number of DMA transfer is 2. The 16-bit MSB transmits and receives the first 16-bit data, the 16-bit LSB transmits and receives the 8-bit MSB data, with 8-bit LSB data being forced to 0 by hardware.

- Philips standard, PCM standard, MSB-aligned or LSB-aligned standard, 32-bit data and 32-bit channel

The data bit is the same as the channel bit. Each channel requires two read/write operations from/to the SPI_DT register, and the number of DMA transfer is 2. These 32-bit data are proceeded in two times, with 16-bit data each time.

- LSB-aligned standard, 16-bit data and 32-bit channel

The data bit is different from the channel bit. Each channel requires one read/write operation from/to the SPI_DT register, and the number of DMA transfer is 1. The 16 bits (LSB) are the significant bits while the first 16-bit data (MSB) are forced to 0 by hardware.

- LSB-aligned standard, 24-bit data and 32-bit channel

The data bit is different from the channel bit. Each channel requires two read/write operations from/to the SPI_DT register, and the number of DMA transfer is 2. For the first 16-bit data, its 8-bit LSB are the significant bits, with the 8-bit MSB forced to 0 by hardware; the subsequent 16 bits transmit and receive the second 16-bit data.

13.3.5 I2S_CLK controller

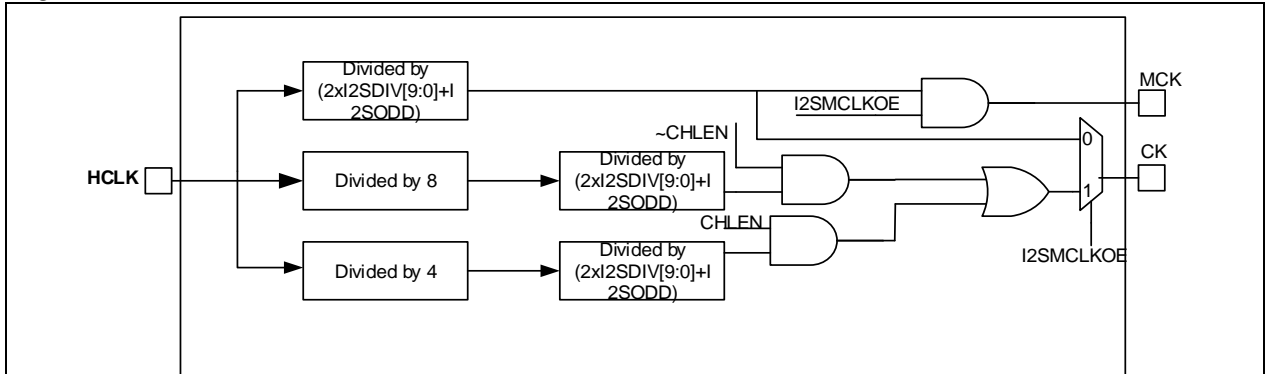
The audio protocols the SPI supports adopts synchronous transmission. In master mode, it is required to generate a communication clock for data reception and transmission on the SPI, and the communication clock should be output to the slave via IO for data reception and transmission. In slave mode, the communication clock is provided by master, and is input to the SPI via IO. In all, the I2S_SCK controller is used for the generation and distribution of I2S_SCK, with the configuration procedure

detailed as follows:

When used as I2S master, the SPI can provide communication clock (CK) and main peripheral clock (MCK) shown in Figure 13-13. The CK and MCK are generated by HCLK divider, with the prescaler of the MCK determined by I2SDIV and I2SODD. The calculation formula is seen in Figure 13-13.

The prescaler of the CK depends on whether to provide the main clock for peripherals. To ensure that the main clock is always 256 times larger than the audio sampling frequency, The channel bits should be taken into account. When the main clock is needed, the CK should be divided by 8 (I2SCBN=0) or 4 (I2SCBN=1), then divided again by the same prescaler as that of the MCK, that is the final communication clock; When the main clock is not needed, the the prescaler of the CK is determined by I2SDIV and I2SODD, shown in Figure 13-13.

Figure 13-13 CK & MCK source in master mode



Apart from the above-mentioned configuration, the following table lists the values of I2SDIV and I2SODD corresponding to some specific frequencies, as well as their respective error for the users to configure the I2SDIV and I2SODD.

Table 13-1 Audio frequency precision using system clock

SysCLK (MHz)	MCLK	Target Fs (Hz)	16bit				32bit			
			I2SDIV	I2S_ODD	RealFs	Error	I2SDIV	I2S_ODD	RealFs	Error
240	NO	192000	19	1	192307	1.2%	10	0	187500	2.34%
240	NO	96000	39	0	96153	0.16%	19	1	96153	0.16%
240	NO	48000	78	0	48076	0.16%	39	0	48076	0.16%
240	NO	44100	85	0	44117	0.04%	42	1	44117	0.04%
240	NO	32000	117	0	32051	0.16%	58	1	32051	0.16%
240	NO	22050	170	0	22058	0.04%	85	0	22058	0.04%
240	NO	16000	234	1	15991	0.05%	117	0	16025	0.16%
240	NO	11025	340	0	11029	0.04%	170	0	11029	0.04%
240	NO	8000	469	0	7995	0.05%	234	1	7995	0.05%
240	YES	192000	2	1	187500	2.34%	2	1	187500	2.34%
240	YES	96000	5	0	93750	2.34%	5	0	93750	2.34%
240	YES	48000	10	0	46875	2.34%	10	0	46875	2.34%
240	YES	44100	10	1	44642	1.23%	10	1	44642	1.23%
240	YES	32000	14	1	32327	1.02%	14	1	32327	1.02%
240	YES	22050	21	1	21802	1.12%	21	1	21802	1.12%
240	YES	16000	29	1	15889	0.68%	29	1	15889	0.68%
240	YES	11025	42	1	11029	0.04%	42	1	11029	0.04%
240	YES	8000	58	1	8012	0.16%	58	1	8012	0.16%
200	No	192000	16	1	189393.9	1.36%	8	0	195312.5	1.73%
200	No	96000	32	1	96153.85	0.16%	16	1	94696.97	1.36%
200	No	48000	65	0	48076.92	0.16%	32	1	48076.92	0.16%
200	No	44100	71	0	44014.08	0.19%	35	1	44014.08	0.19%
200	No	32000	97	1	32051.28	0.16%	49	0	31887.76	0.35%

200	No	22050	141	1	22084.81	0.16%	71	0	22007.04	0.19%
200	No	16000	195	1	15984.65	0.10%	97	1	16025.64	0.16%
200	No	11025	283	1	11022.93	0.02%	141	1	11042.4	0.16%
200	No	8000	390	1	8002.561	0.03%	195	1	7992.327	0.10%
200	Yes	192000	3	0	130208.3	32.18%	3	0	130208.3	32.18%
200	Yes	96000	4	0	97656.25	1.73%	4	0	97656.25	1.73%
200	Yes	48000	8	0	48828.13	1.73%	8	0	48828.13	1.73%
200	Yes	44100	9	0	43402.78	1.58%	9	0	43402.78	1.58%
200	Yes	32000	12	0	32552.08	1.73%	12	0	32552.08	1.73%
200	Yes	22050	17	1	22321.43	1.23%	17	1	22321.43	1.23%
200	Yes	16000	24	1	15943.88	0.35%	24	1	15943.88	0.35%
200	Yes	11025	35	1	11003.52	0.19%	35	1	11003.52	0.19%
200	Yes	8000	49	0	7971.939	0.35%	49	0	7971.939	0.35%
100	No	192000	8	0	195312.5	1.73%	4	0	195312.5	1.73%
100	No	96000	16	1	94696.97	1.36%	8	0	97656.25	1.73%
100	No	48000	32	1	48076.92	0.16%	16	1	47348.48	1.36%
100	No	44100	35	1	44014.08	0.19%	17	1	44642.86	1.23%
100	No	32000	49	0	31887.76	0.35%	24	1	31887.76	0.35%
100	No	22050	71	0	22007.04	0.19%	35	1	22007.04	0.19%
100	No	16000	97	1	16025.64	0.16%	49	0	15943.88	0.35%
100	No	11025	141	1	11042.4	0.16%	71	0	11003.52	0.19%
100	No	8000	195	1	7992.327	0.10%	97	1	8012.821	0.16%
100	Yes	96000	2	0	97656.25	1.73%	2	0	97656.25	1.73%
100	Yes	48000	4	0	48828.13	1.73%	4	0	48828.13	1.73%
100	Yes	44100	4	1	43402.78	1.58%	4	1	43402.78	1.58%
100	Yes	32000	6	0	32552.08	1.73%	6	0	32552.08	1.73%
100	Yes	22050	9	0	21701.39	1.58%	9	0	21701.39	1.58%
100	Yes	16000	12	0	16276.04	1.73%	12	0	16276.04	1.73%
100	Yes	11025	17	1	11160.71	1.23%	17	1	11160.71	1.23%
100	Yes	8000	24	1	7971.939	0.35%	24	1	7971.939	0.35%
72	No	192000	6	0	187500	2.34%	3	0	187500	2.34%
72	No	96000	11	1	97826.09	1.90%	6	0	93750	2.34%
72	No	48000	32	1	34615.38	27.88%	11	1	48913.04	1.90%
72	No	44100	25	1	44117.65	0.04%	13	0	43269.23	1.88%
72	No	32000	35	0	32142.86	0.45%	17	1	32142.86	0.45%
72	No	22050	51	0	22058.82	0.04%	25	1	22058.82	0.04%
72	No	16000	70	1	15957.45	0.27%	35	0	16071.43	0.45%
72	No	11025	102	0	11029.41	0.04%	51	0	11029.41	0.04%
72	No	8000	140	1	8007.117	0.09%	70	1	7978.723	0.27%
72	Yes	96000	2	0	70312.5	26.76%	2	0	70312.5	26.76%
72	Yes	48000	3	0	46875	2.34%	3	0	46875	2.34%
72	Yes	44100	3	0	46875	6.29%	3	0	46875	6.29%
72	Yes	32000	4	1	31250	2.34%	4	1	31250	2.34%
72	Yes	22050	6	1	21634.62	1.88%	6	1	21634.62	1.88%
72	Yes	16000	9	0	15625	2.34%	9	0	15625	2.34%
72	Yes	11025	13	0	10817.31	1.88%	13	0	10817.31	1.88%
72	Yes	8000	17	1	8035.714	0.45%	17	1	8035.714	0.45%

13.3.6 DMA transfer

The SPI supports write and read operations with DMA. Whether used as SPI or I²S, read/write request using DMA comes from the same peripheral. As a result, their configuration procedure are the same, described as follows.

Transmission with DMA

- Select DMA channel: Select a DMA channel for the current SPI from DMA channel map table described in DMA chapter.
- Configure the destination of DMA transfer: Configure the SPI_DT register address as the destination address bit of DMA transfer in the DMA control register. Data will be sent to this address after transmit request is received by DMA.
- Configure the source of DMA transfer: Configure the memory address as the source of DMA transfer in the DMA control register. Data will be loaded into the SPI_DT register from the memory address after transmit request is received by DMA.
- Configure the total number of bytes to be transferred in the DMA control register.
- Configure the channel priority of DMA transfer in the DMA control register.
- Configure DMA interrupt generation after half or full transfer in the DMA control register.
- Enable DMA transfer channel in the DMA control register.

Reception with DMA

- Select DMA transfer channel: Select a DMA channel for the current SPI from DMA channel map table described in DMA chapter.
- Configure the destination of DMA transfer: Configure the memory address as the destination of DMA transfer in the DMA control register. Data will be loaded from the SPI_DT register to the programmed destination after reception request is received by DMA.
- Configure the source of DMA transfer: Configure the SPI_DT register address as the source of DMA transfer in the DMA control register. Data will be loaded from the SPI_DT register to the programmed destination after reception request is received by DMA.
- Configure the total number of bytes to be transferred in the DMA control register.
- Configure the total number of bytes to be transferred in the DMA control register.
- Configure DMA interrupt generation after half or full transfer in the DMA control register.
- Enable DMA transfer channel in the DMA control register.

13.3.7 Transmitter/Receiver

Whether being used as SPI or I²S, there is no difference for CPU. The SPI (in whatever mode) shares the same base address, the same SPI_DT register, the same transmitter and receiver. The SPI transmitter and receiver is responsible for sending and receiving the desired data frame according to the configuration of the communication controller. Thus their status flags such as TDBE, RDBF and ROERR, and their interrupt enable bits including TDBEIE, RDBFIE and ERRIE are identical.

Special attention must be paid to:

- CRC check is not available on the I²S. Any operation linked to CRC, including CCERR flag and the corresponding interrupts, is not supported.
- I²S protocol needs decode the current channel status. The ACS bit is used to judge whether the current transfer occurs on the left channel (ACS=0) or the right channel (ACS=1).
- TUERR bit indicates whether an underrun occurs. TUERR=1 means an underrun error occurs on the transmitter. An interrupt is generated when the ERRIE is set.
- Read/write operation to the SPI_DT register is different under different audio protocols, data bits and channel bits. Refer to the audio protocol selector section for more information.
- Pay more attention to the I²S disable operation under different configurations, shown as follows:
 - I²SDBN=00, I²SBCN=1, STDSLE=10: wait for the second-to-last RDBF=1 and 17 CK periods before disabling the I²S.
 - I²SDBN=00, I²SBCN=1, STDSLE=00 or STDSLE=01 or STDSLE=11: wait for the last RDBF=1 and one CK period before the I²S.

— I2SDBN, I2SCBN, STDSLE combination: wait for the second-to-last RDBF=1 and one CK period before disabling the I2S.

I2S transmitter configuration procedure:

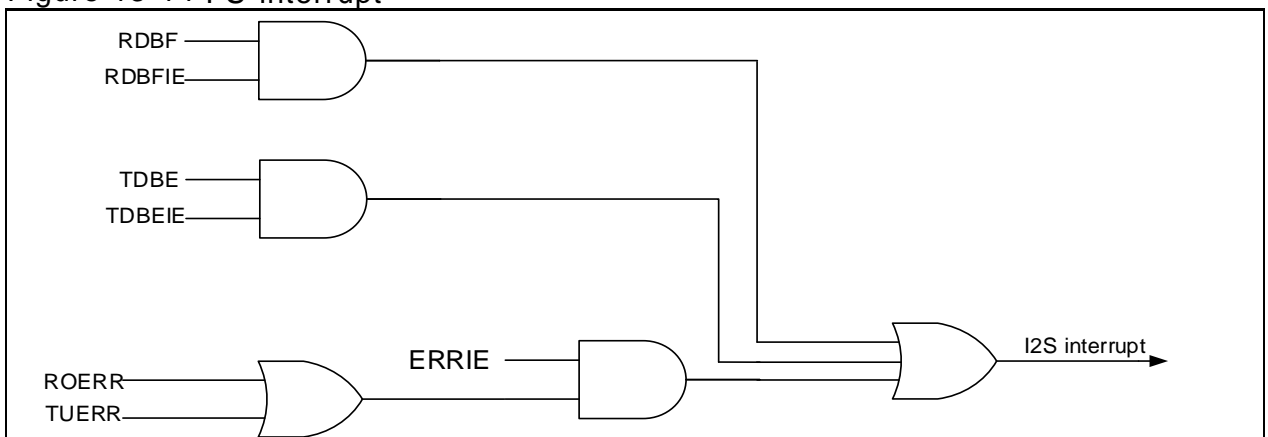
- Configure operation mode selector
- Configure audio protocol selector
- Configure I2S_SCK controller
- Configure DMA transfer (if necessary)
- Set the I2SEN bit to enable I2S
- Follow above steps to configure the I2SxEXT (For I2S full-duplex mode)

I2S receiver configuration procedure:

- Configure operation mode selector
- Configure audio protocol selector
- Configure I2S_SCK controller
- Configure DMA transfer (if necessary)
- Set the I2SEN bit to enable I2S
- Follow above steps to configure the I2SxEXT (For I2S full-duplex mode)

13.3.8 Interrupts

Figure 13-14 I2S interrupt



13.3.9 IO pin control

The I2S needs three pins for transfer operation, namely, the SD, WS and CK. The MCLK pin is also required if need to provide main clock for peripherals. The I2S shares some pins with the SPI, described as follows:

- SD: Serial data (mapped on the MOSI pin) for bidirectional data transmission and reception.
- WS: Word select (mapped on the CS pin) for data control signal output in master mode, and input in slave mode.
- CK: Communication clock (mapped on the SCK pin) as clock signal output in master mode, and input in slave mode.
- MCLK: Master clock (mapped independently) is used to provide main clock for peripherals. The frequency of output clock signal is set to 256x Fs (audio sampling frequency)

13.4 SPI registers

These peripheral registers must be accessed by half-word (16 bits) or word (32 bits).

Table 13-2 SPI register map and reset value

Register	Offset	Reset value
SPI_CTRL1	0x00	0x0000
SPI_CTRL2	0x04	0x0000
SPI_STS	0x08	0x0002
SPI_DT	0x0C	0x0000
SPI_CPOLY	0x10	0x0007
SPI_RCRC	0x14	0x0000
SPI_TCRC	0x18	0x0000
SPI_I2SCTRL	0x1C	0x0000
SPI_I2SCLKP	0x20	0x0002

13.4.1 SPI control register1 (SPI_CTRL1) (Not used in I²S mode)

Bit	Register	Reset value	Type	Description
Bit 15	SLBEN	0x0	rw	Single line bidirectional half-duplexenable 0: Disabled 1: Enabled
Bit 14	SLBTD	0x0	rw	Single line bidirectional half-duplextransmission direction This bit and the SLBEN bit together determine the data output direction in “Single line bidirectional half-duplex” mode. 0: Receive-only mode 1: Transmit-onlymode
Bit 13	CCEN	0x0	rw	RC calculation enable 0: Disabled 1: Enabled
Bit 12	NTC	0x0	rw	TransmitCRC next When this bit is set, it indicates that the next data transferred is CRC value. 0: Next transmitted data is the normal value 1: Next transmitted data is CRC value
Bit 11	FBN	0x0	rw	Frame bit num This bit is used to configure the number of data frame bit for transmission/reception. 0: 8-bit data frame 1: 16-bit data frame
Bit 10	ORA	0x0	rw	Receive-only active In two-wire unidirectional mode, when this bit is set, it indicates that Receive-onlyis active, butthe transmit is not allowed. 0: Transmission and reception 1: Receive-only mode
Bit 9	SWCSEN	0x0	rw	Software CS enable When this bit is set, the CS pin level is determined by the SWCSIL bit. The status of I/O level on the CK pin is invalid. 0: Disabled 1: Enabled
Bit 8	SWCSIL	0x0	rw	Software CS internal level

				<p>This bit is valid only when the SWCSEN is set. It determines the level on the CS pin.</p> <p>In master mode, this bit must be set.</p> <p>0: Low level 1: High level</p>
Bit 7	LTF	0x0	rw	<p>LSB transmit first</p> <p>This bit is used to select for MST transfer first or LSB transfer first.</p> <p>0: MSB 1: LSB</p>
Bit 6	SPIEN	0x0	rw	<p>SPI enable</p> <p>0: Disabled 1: Enabled</p>
Bit 5: 3	MDIV	0x0	rw	<p>Master clock frequency division</p> <p>In master mode, the peripheral clock divided by the prescaler is used as SPI clock. The MDIV[3: 0] bit is in the SPI_CTRL2 register, MDIV[3: 0]:</p> <p>0000: Divided by 2 0001: Divided by 4 0010: Divided by 8 0011: Divided by 16 0100: Divided by 32 0101: Divided by 64 0110: Divided by 128 0111: Divided by 256 1000: Divided by 512 1001: Divided by 1024</p>
Bit 2	MSTEN	0x0	rw	<p>Master enable</p> <p>0: Disabled (Slave) 1: Enabled (Master)</p>
Bit 1	CLKPOL	0x0	rw	<p>Clock polarity</p> <p>Indicates the polarity of clock output in idle state.</p> <p>0: Low level 1: High level</p>
Bit 0	CLKPHA	0x0	rw	<p>Clock phase</p> <p>0: Data capture starts from the first clock edge 1: Data capture starts from the second clock edge</p>

Note: The SPI_CTRL1 register must be 0 in P^S mode.

13.4.2 SPI control register2 (SPI_CTRL2)

Bit	Register	Reset value	Type	Description
Bit 15: 9	Reserved	0x00	resd	Forced to be 0 by hardware.
Bit 8	MDIV	0x0	rw	<p>Master clock frequency division</p> <p>Refer to the MDIV[2: 0] of the SPI_CTRL1 register.</p>
Bit 7	TDBEIE	0x0	rw	<p>Transmit data buffer empty interrupt enable</p> <p>0: Disabled 1: Enabled</p>
Bit 6	RDBFIE	0x0	rw	<p>Receive data buffer full interrupt enable</p> <p>0: Disabled 1: Enabled</p>
Bit 5	ERRIE	0x0	rw	<p>Error interrupt enable</p> <p>This bit controls interrupt generation when errors occur (CCERR, MMERR, ROERR and TUERR)</p> <p>0: Disabled</p>

				1: Enabled
Bit 4: 3	Reserved	0x0	resd	Kept at its default value
Bit 2	HWCSOE	0x0	rw	Hardware CS output enable This bit is valid only in master mode. When this bit is set, the I/O output on the CS pin is low; when this bit is 0, the I/O input on the CS pin must be set high. 0: Disabled 1: Enabled
Bit 1	DMATEN	0x0	rw	DMA transmit enable 0: Disabled 1: Enabled.
Bit 0	DMAREN	0x0	rw	DMA receive enable 0: Disabled 1: Enabled

13.4.3 SPI status register (SPI_STS)

Bit	Register	Reset value	Type	Description
Bit 15: 8	Reserved	0x00	resd	Forced to be 0 by hardware
Bit 7	BF	0x0	ro	Busy flag 0: SPI is not busy. 1: SPI is busy.
Bit 6	ROERR	0x0	ro	Receiver overflow error 0: No overflow error 1: Overflow error occurs.
Bit 5	MMERR	0x0	ro	Master mode error This bit is set by hardware and cleared by software (read/write access to the SPI_STS register, followed by write operation to the SPI_CTRL1 register) 0: No mode error 1: Mode error occurs.
Bit 4	CCERR	0x0	rw0c	CRC error Set by hardware, and cleared by software. 0: No CRC error 1: CRC error occurs.
Bit 3	TUERR	0x0	ro	Transmitter underload error Set by hardware, and cleared by software (read the SPI_STS register). 0: No underload error 1: Underload error occurs. Note: This bit is only used in I ² S mode.
Bit 2	ACS	0x0	ro	Audio channel state This bit indicates the status of the current audio channel. 0: Left channel 1: Right channel Note: This bit is only used in I ² S mode.
Bit 1	TDBE	0x1	ro	Transmit data buffer empty 0: Transmit data buffer is not empty. 1: Transmit data buffer is empty.
Bit 0	RDBF	0x0	ro	Receive data buffer full 0: Transmit data buffer is not full. 1: Transmit data buffer is full.

13.4.4 SPI data register (SPI_DT)

Bit	Register	Reset value	Type	Description
Bit 15:0	DT	0x0000	rw	Data value This register controls read and write operations. When the data bit is set as 8 bit, only the 8-bit LSB [7: 0] is valid.

13.4.5 SPICRC register (SPI_CPOLY) (Not used in I²S mode)

Bit	Register	Reset value	Type	Description
Bit 15:0	CPOLY	0x0007	rw	CRC polynomial This register contains the polynomial used for CRC calculation. Note: This register is valid only in SPI mode.

13.4.6 SPIRxCRC register (SPI_RCRC) (Not used in I²S mode)

Bit	Register	Reset value	Type	Description
Bit 15:0	RCRC	0x0000	ro	Receive CRC When CRC calculation is enabled, this register contains the CRC value computed based on the received data. This register is reset when the CCEN bit in the SPI_CTRL1 register is cleared. When the data frame format is set to 8-bit data, only the 8-bit LSB ([7: 0]) are calculated based on CRC8 standard; when 16-bit data bit is selected, follow CRC16 standard. Note: This register is only used in SPI mode.

13.4.7 SPITxCRC register (SPI_TCRC)

Bit	Register	Reset value	Type	Description
Bit 15:0	TCRC	0x0000	ro	Transmit CRC When CRC calculation is enabled, this register contains the CRC value computed based on the transmitted data. This register is reset when the CCEN bit in the SPI_CTRL1 register is cleared. When the data frame format is set to 8-bit data, only the 8-bit LSB ([7: 0]) are calculated based on CRC8 standard; when 16-bit data bit is selected, follow CRC16 standard. Note: This register is only used in SPI mode.

13.4.8 SPI_I2S register (SPI_I2SCTRL)

Bit	Register	Reset value	Type	Description
Bit 15:12	Reserved	0x0	resd	Forced to be 0 by hardware.
Bit 11	I2SMSSEL	0x0	rw	I ² S mode select 0: SPI mode 1: I ² S mode
Bit 10	I2SEN	0x0	rw	I ² S enable 0: Disabled 1: Enabled
Bit 9:8	OPERSEL	0x0	rw	I ² S operation mode select 00: Slave transmission 01: Slave reception 10: Master transmission 11: Master reception
Bit 7	PCMFSSSEL	0x0	rw	PCM frame synchronization This bit is valid only when the PCM standard is used. 0: Short frame synchronization

				1: Long frame synchronization
Bit 6	Reserved	0x0	resd	Kept at its default value
Bit 5: 4	STDSEL	0x0	rw	I ² S standard select 00: Philips standard 01: MSB-aligned standard (left-aligned) 10: LSB-aligned standard (right-aligned) 11: PCM standard
Bit 3	I2SCLKPOL	0x0	rw	I ² S clock polarity This bit indicates the clock polarity on the clock pin in idle state. 0: Low 1: High
Bit 2: 1	I2SDBN	0x0	rw	I ² S data bit num 00: 16-bit data length 01: 24-bit data length 10: 32-bit data length 11: Not allowed.
Bit 0	I2SCBN	0x0	rw	I ² S channel bit num This bit can be configured only when the I ² S is set to 16-bit data; otherwise, it is fixed to 32-bit by hardware. 0: 16-bit wide 1: 32-bit wide

13.4.9 SPI_I2S prescaler register (SPI_I2SCLKP)

Bit	Register	Reset value	Type	Description
Bit 15: 12	Reserved	0x0	resd	Forced to be 0
Bit 9	I2SMCLKOE	0x0	rw	I ² S Master clock output enable 0: Disabled 1: Enabled
Bit 8	I2SODD	0x0	rw	IOdd factor for I ² S division 0: Actual divider factor = I2SDIV*2; 1: Actual divider factor = (I2SDIV*2)+1.
Bit 11: 10 Bit 7: 0	I2SDIV	0x02	rw	I ² S division It is not allowed to configure I2SDIV[9: 0]=0 or I2SDIV[9: 0]=1

14 Timer

AT32F403A/407 timers include basic timers, general-purpose timers, and advanced-control timers. Please refer to [Section 14.1 ~ Section 14.4](#) for the detailed function modes. All functions of different timers are shown in the following tables.

Table 14-1 TMR functional comparison

Timer type	Timer	Counter bit	Count mode	Repetition	Prescaler	DMA requests	Capture/compare channel	PWM input mode	EXT input	Break input
Advanced-control timer	TMR1 TMR8	16	Up Down Up/Down	8-bit	1~65535	O	4	O	O	O
	TMR2 TMR5	16/32	Up Down Up/Down	X	1~65535	O	4	O	O	X
General-purpose timer	TMR3 TMR4	16	Up Down Up/Down	X	1~65535	O	4	O	O	X
	TMR9 TMR12	16	Up	X	1~65535	X	2	O	X	X
	TMR10 TMR11 TMR13 TMR14	16	Up	X	1~65535	X	1	X	X	X
	TMR6 TMR7	16	Up	X	1~65535	O	X	X	X	X

Timer type	Timer	Counter bit	Count mode	PWM output	Single pulse output	Complementary output	Dead-time	Encoder interface connection	Interfacing with hall sensors	Linkage peripheral
Advanced-control timer	TMR1 TMR8	16	Up Down Up/Down	O	O	O	O	O	O	Timer synchronization
	TMR2 TMR5	16/32	Up Down Up/Down	O	O	X	X	O	O	Timer synchronization
General-purpose timer	TMR3 TMR4	16	Up Down Up/Down	O	O	X	X	O	O	Timer synchronization
	TMR9 TMR12	16	Up	O	O	X	X	X	X	Timer synchronization ADC/DAC
	TMR10 TMR11 TMR13 TMR14	16	Up	O	O	X	X	X	X	NA
	TMR6 TMR7	16	Up	X	X	X	X	X	X	DAC

14.1 Basic timer (TMR6 and TMR7)

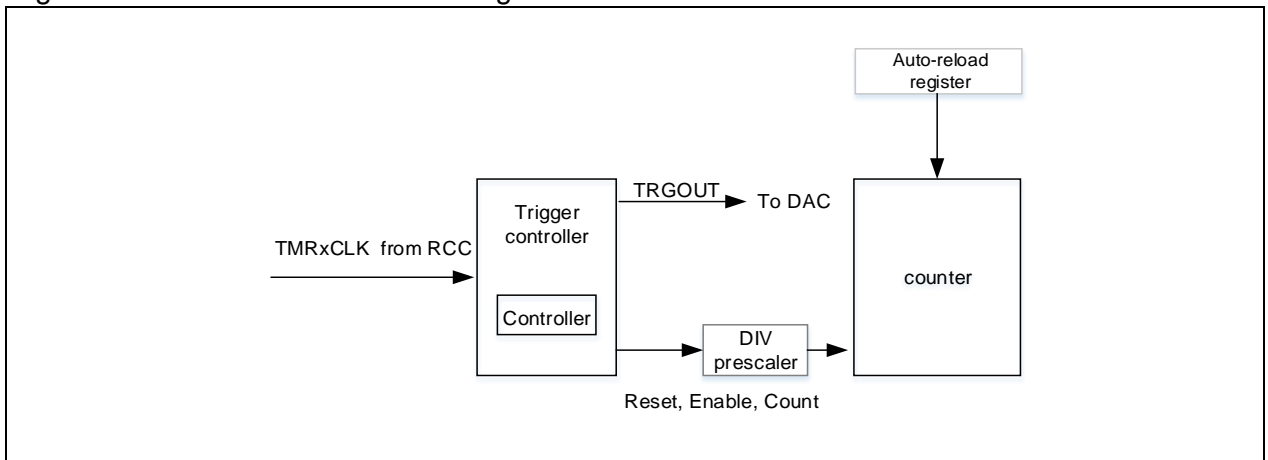
14.1.1 TMR6 and TMR7 introduction

Each of the basic timers (TMR6 and TMR7) includes a 16-bit up counter and the corresponding control logic. without being connected to external I/Os. They can be used for a basic timing and providing clocks for the digital-to-analog converter (DAC).

14.1.2 TMR6 and TMR7 main features

- Internal clock used as counter clock
- 16-bit up counter
- Synchronization circuit to trigger DAC (Unique characteristics)
- Interrupt on overflow event and DMA request

Figure 14-1 Basic timer block diagram

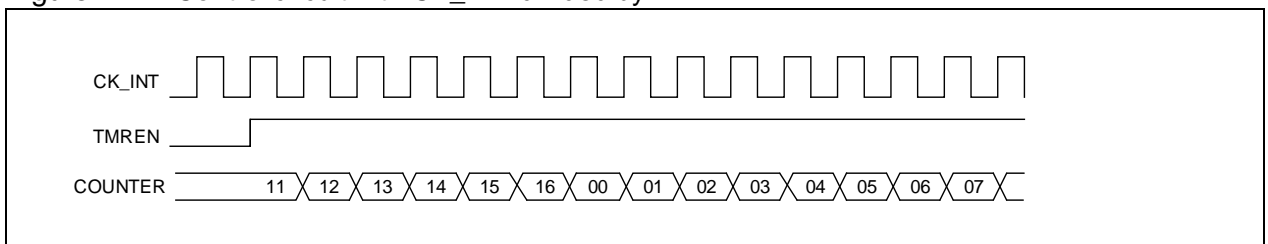


14.1.3 TMR6 and TMR7 function overview

14.1.3.1 Count clock

The counter clock of TMR6 and TMR7 is provided by the internal clock source (CK_INT) divided by prescaler.

Figure 14-2 Control circuit with CK_INT divided by 1



14.1.3.2 Counting mode

The basic timer only supports upcounting mode. It has an internal 16-bit counter in which the value is loaded with the TMRx_PR register.

The value in the TMRx_PR is immediately moved to the shadow register by default. When the periodic buffer is enabled (PRBEN=1), the value in the TMRx_PR register is transferred to the shadow register only at an overflow event.

TMRx_DIV register is used to define the counter frequency of the counter. The counter counts once every DIV[15:0]+1 clock cycle. Similar to TMRx_PR register, after enabling periodic buffer, the value of the TMRx_DIV register are transferred into the shadow register at each overflow event.

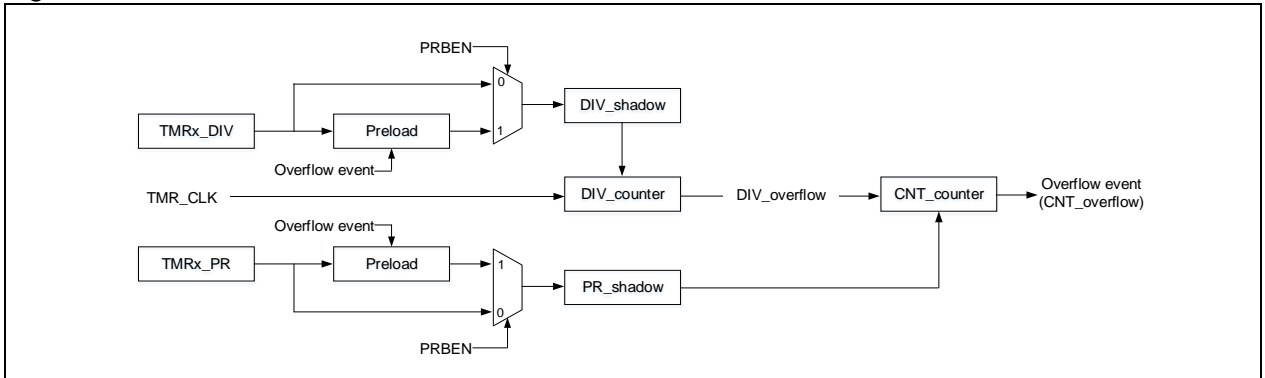
Reading the TMRx_CNT register returns the current counter value. Writing the TMRx_CNT register will update the current counter value.

An overflow event is enabled by default. It can be disabled by setting OVFEN=1 in the

TMRx_CTRL1 register. The OVFS bit in the TMRx_CTRL1 register is used to select the source of an overflow event, which is, by default, counter overflow or underflow, setting OVFSWTR, reset signal generated by slave mode timer controller in reset mode. Once the OVFS is set, an overflow event is generated only when overflow or underflow occurs.

Setting the TMREN bit (TMREN=1) enables the timer to start counting. Base on synchronization logic, however, the actual enable signal TMR_EN is set 1 clock cycle after the TMREN is set.

Figure 14-3 Basic structure of a counter



Upcounting mode

In upcounting mode, the counter counts from 0 to the value programmed in the TMRx_PR register, then restarts from 0 and generates a counter overflow event with setting OVFI=1 at the same time. If the overflow event is disabled, the counter is no longer reloaded with a prescaler value and a periodic value when a counter overflow event occurs, otherwise, the counter is updated with prescaler and periodic values at an overflow event.

Figure 14-4 Overflow event when PRBEN=0

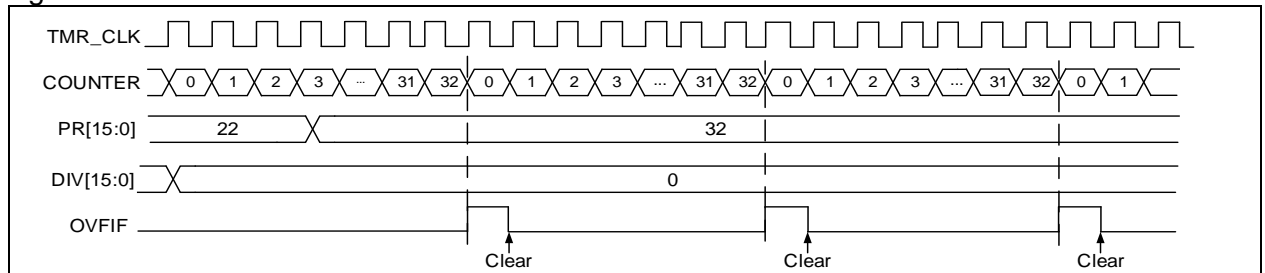


Figure 14-5 Overflow event when PRBEN=1

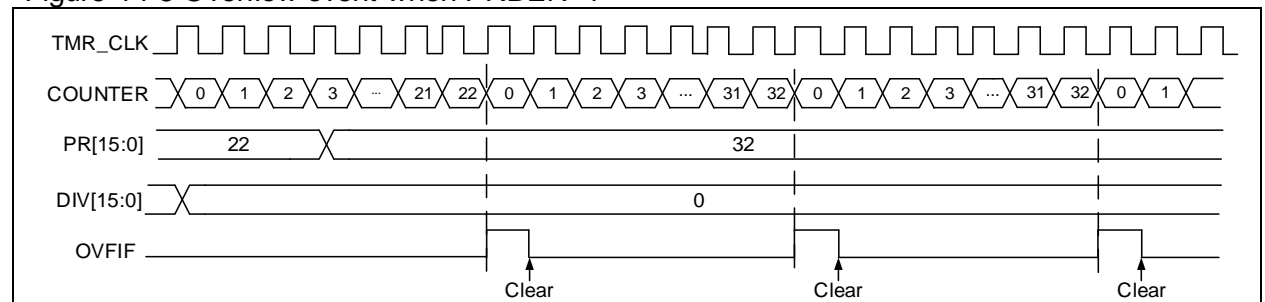
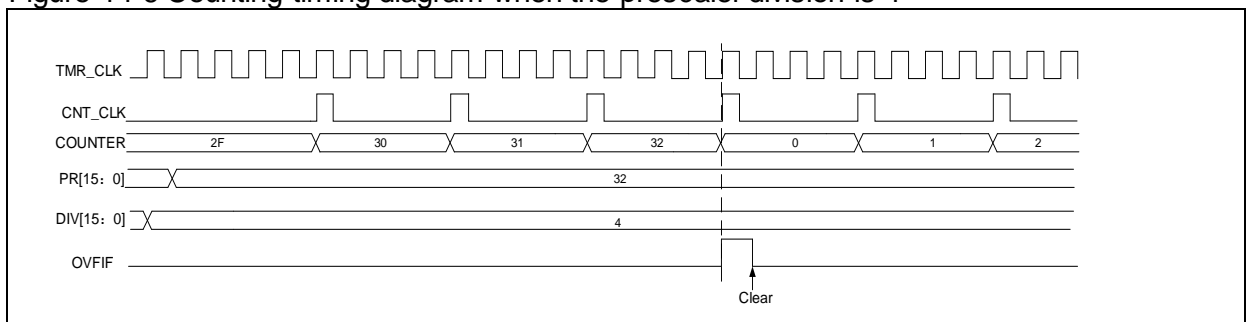


Figure 14-6 Counting timing diagram when the prescaler division is 4



14.1.3.3 Debug mode

When the microcontroller enters debug mode (Cortex ®-M4F core halted), the TMRx counter stops counting when the TMRx_PAUSE bit is set.

14.1.4 TMR6 and TMR7 registers

These peripheral registers must be accessed by word (32 bits).

In Table 14-2, all the TMRx registers are mapped to a 16-bit addressable space.

Table 14-2 TMR6 and TMR7— register table and reset value

Register	Offset	Reset value
TMRx_CTRL1	0x00	0x0000
TMRx_CTRL2	0x04	0x0000
TMRx_IDEN	0x0C	0x0000
TMRx_ISTS	0x10	0x0000
TMRx_SWEVT	0x14	0x0000
TMRx_CVAL	0x24	0x0000
TMRx_DIV	0x28	0x0000
TMRx_PR	0x2C	0x0000

14.1.4.1 TMR6 and TMR7 control register1 (TMRx_CTRL1)

Bit	Register	Reset value	Type	Description
Bit 15: 8	Reserved	0x00	resd	Kept at its default value.
Bit 7	PRBEN	0x0	rw	Period buffer enable 0: Period buffer is disabled. 1: Period buffer is enabled.
Bit 6: 4	Reserved	0x0	resd	Kept at its default value.
Bit 3	OCMEN	0x0	rw	One cycle mode enable This bit is used to select whether to stop the counter at overflow event. 0: Disabled 1: Enabled
Bit 2	OVFS	0x0	rw	Overflow event source This bit is used to configure overflow event or DMA request sources. 0: Counter overflow, setting the OVFSWTR bit or overflow event generated from the slave controller 1: Only counter overflow generates an overflow event.
Bit 1	OVFEN	0x0	rw	Overflow event enable This bit is used to enable or disable OEV event generation. 0: OEV event is enabled. An overflow event is generated by any of the following events: - Counter overflow - Setting the OVFSWTR bit - Overflow event generated from the slave controller 1: OEV event is disabled. If the OVFSWTR bit is set, or a hardware reset is generated from the slave controller, the counter and the prescaler are reinitialized. Note: This bit is set and cleared by software.
Bit 0	TMREN	0x0	rw	TMR enable 0: Disabled 1: Enabled

14.1.4.2 TMR6 and TMR7 control register2 (TMRx_CTRL2)

Bit	Register	Reset value	Type	Description
Bit 15: 7	Reserved	0x000	resd	Kept at its default value.
Bit 6: 4	PTOS	0x0	rw	Master TMR output selection This field is used to select the signals in master mode to be sent to slave timers. 000: Reset 001: Enable 010: Update
Bit 3: 0	Reserved	0x0	resd	Kept at its default value.

14.1.4.3 TMR6 and TMR7 DMA/interrupt enable register (TMRx_IDEN)

Bit	Register	Reset value	Type	Description
Bit 15:9	Reserved	0x00	resd	Kept at its default value.
Bit 8	OVFDEN	0x0	rw	Overflow event DMA requestenable 0: Disabled 1: Enabled
Bit 7:1	Reserved	0x00	resd	Kept at its default value.
Bit 0	OVFIEN	0x0	rw	Overflow interrupt enable 0: Disabled 1: Enabled

14.1.4.4 TMR6 and TMR7 interrupt status register (TMRx_ISTS)

Bit	Register	Reset value	Type	Description
Bit 15:1	Reserved	0x0000	resd	Kept at its default value.
Bit 0	OVFIF	0x0	rw0c	Overflow interrupt flag This bit is set by hardware at an overflow event. It is cleared by software. 0: No overflow event occurs. 1: Overflow event occurs, and OVFN=0, and OVFS=0 in the TMRx_CTRL1 register: - An overflow event occurs when OVFG=1 in the TMRx_SWEVE register - An overflow event occurs when the counter value (CVAL) is reinitialized by a trigger event.

14.1.4.5 TMR6 and TMR7 software event register (TMRx_SWEVT)

Bit	Register	Reset value	Type	Description
Bit 15:1	Reserved	0x0000	resd	Kept at its default value.
Bit 0	OVFSWTR	0x0	rw0c	Overflow event triggered by software An overflow event is triggered by software. 0: No effect 1:Generate an overflow event by software write operation.

14.1.4.6 TMR6 and TMR7 counter value (TMRx_CVAL)

Bit	Register	Reset value	Type	Description
Bit 15:0	CVAL	0x0000	rw	Counter value

14.1.4.7 TMR6 and TMR7 division (TMRx_DIV)

Bit	Register	Reset value	Type	Description
Bit 15:0	DIV	0x0000	rw	Divider value The counter clock frequency $f_{CK_CNT} = f_{TMR_CLK} / (DIV[15:0]+1)$. At each overflow event, DIV value is sent to the DIV register.

14.1.4.8 TMR6 and TMR7 period register (TMRx_PR)

Bit	Register	Reset value	Type	Description
Bit 15:0	PR	0x0000	rw	Period value This indicates the period value of the TMRx counter. The timer stops working when the period value is 0.

14.2 General-purpose timer (TMR2 to TMR5)

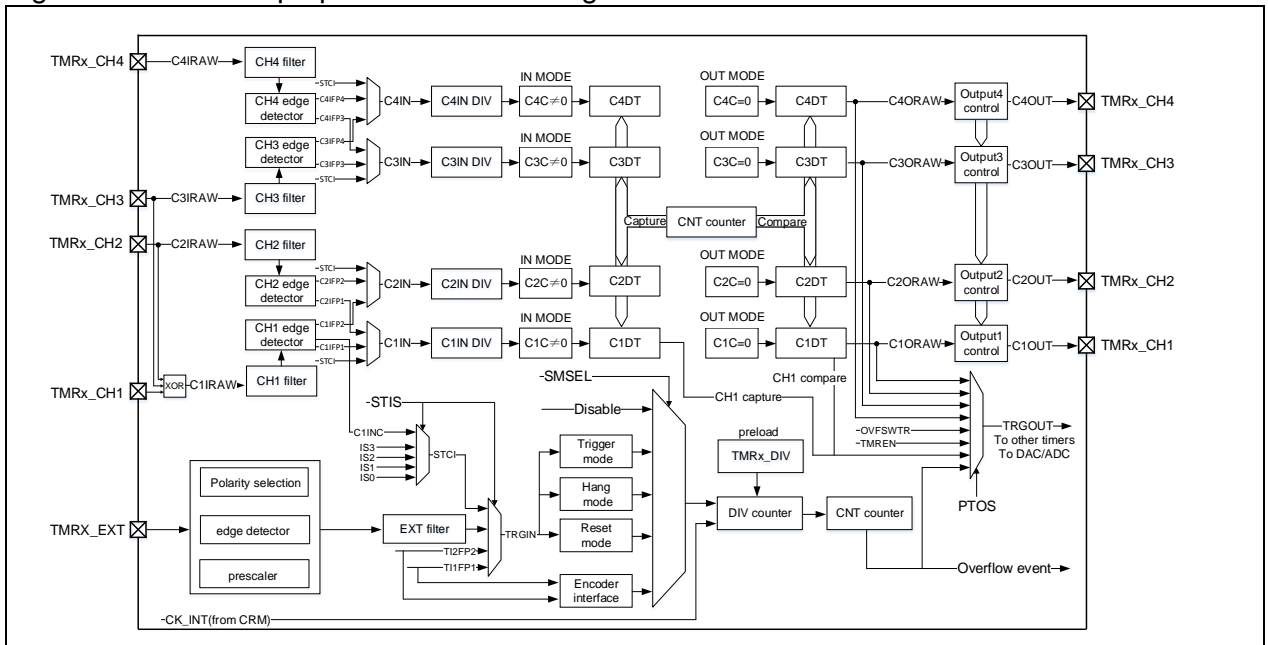
14.2.1 TMRx introduction

The general-purpose timer (TMR2 to TMR5) consists of a 16-bit counter supporting up, down, up/down (bidirectional) counting modes, four capture/compare registers, and four independent channels to achieve input capture and programmable PWM output.

14.2.2 TMRx main features

- Source of count clock is selectable : internal clock, external clock and internal trigger
- 16-bit up, down, up/down and encoder mode counter (TMR2/5 can be extended to 32-bit)
- 4 independent channels for input capture, output compare, PWM generation and one-pulse mode output
- Synchronization control between master and slave timers
- Interrupt/DMA is generated at overflow event, trigger event and channel event
- Support TMR burst DMA transfer

Figure 14-7 General-purpose timer block diagram

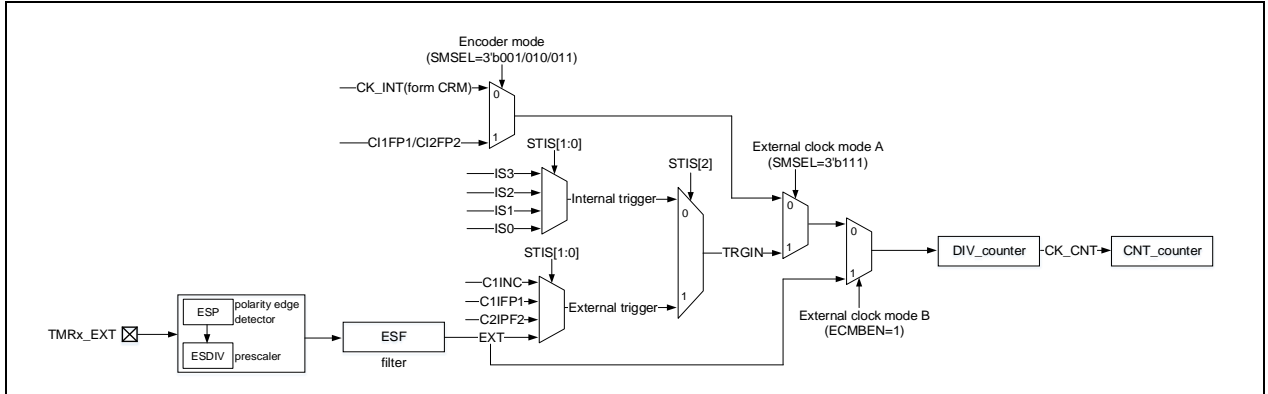


14.2.3 TMRx functional overview

14.2.3.1 Counting clock

The count clock of TMR2~TMR5 can be provided by the internal clock (CK_INT), external clock (external clock mode A and B) and internal trigger input (ISx)

Figure 14-8 Counting clock

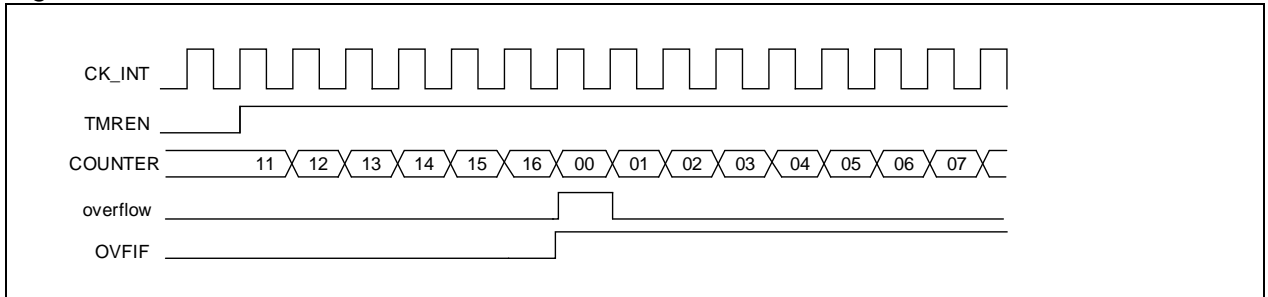


Internal clock (CK_INT)

By default, the CK_INT divided by the prescaler is used to drive the counter to start counting.

- Select a counting mode by setting the TWCMSSEL[1:0] in TMRx_CTRL1 register. If an unidirectional aligned counting mode is selected, it is necessary to select a counting direction through the OWCDIR in TMRx_CTRL1 register.
- Set counting frequency through TMRx_DIV register
- Set counting cycles through TMRx_PR register
- Enable a counter by setting the TMREN bit in the TMRx_CTRL1 register

Figure 14-9 Control circuit with CK_INT, TMRx_DIV=0x0 and TMRx_PR=0x16



External clock (TRGIN/EXT)

The counter clock can be provided by two external clock sources, namely, TRGIN and EXT signals.

SMSEL=3'b111: External clock mode A is selected. Select an external clock source TRGIN signal by setting the STIS[2: 0] bit to drive the counter to start counting.

The external clock sources include: C1INC (STIS=3'b100, channel 1 rising edge and falling edge), C1IFP1 (STIS=3'b101, the channel 1 signal with filtering and polarity selection), C2IFP2 (STIS=3'b110, a channel 2 signal with filtering and polarity selection) and EXT (STIS=3'b111, external input signal with polarity selection, frequency division and filtering).

ECMBEN=1: External clock mode B is selected. The counter is driven by external input that has gone through polarity selection, frequency division and filtering. The external clock mode B is equivalent to the external clock mode A which selects EXT signal as an external force TRGIN.

To use external clock mode A, follow the steps below:

- Set external source TRGIN parameters

If the TMRx_CH1 is used as a source of TRGIN, it is necessary to configure channel 1 input filter (C1DF[3:0] in TMRx_CM1 register) and channel 1 input polarity (C1P/C1CP in TMRx_CCTRL register);

If the TMRx_CH2 is used as source of TRGIN, it is necessary to configure channel 1 input filter (C2DF[3:0] in TMRx_CM1 register) and channel 2 input polarity (C2P/C2CP in TMRx_CCTR register);

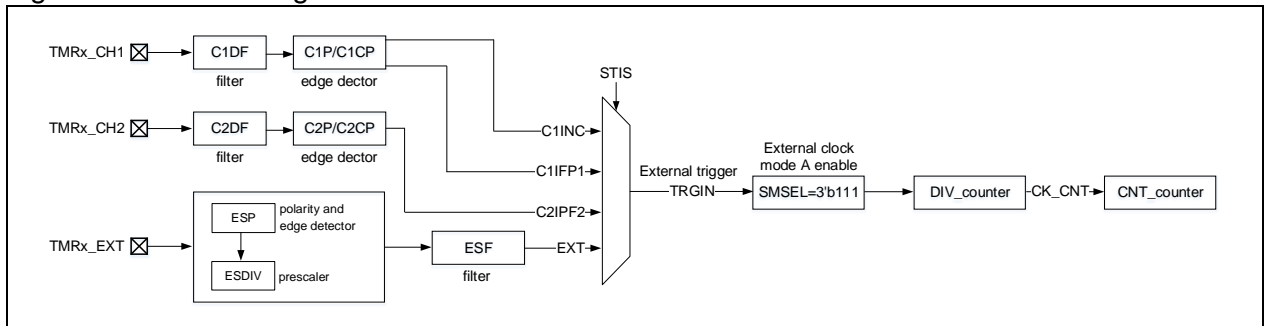
If the TMRx_EXT is used as a source of TRGIN, it is necessary to configure the external signal polarity (ESP in TMRx_STCTRL register), external signal frequency division (ESDIV[1:0] in TMRx_STCTRL) and external signal filter (ESF[3:0] in TMRx_STCTRL register).

- Set TRGIN signal source using the STIS[1:0] bit in TMRx_STCTRL register
- Enable external clock mode A by setting SMSEL=3'b111 in TMRx_STCTR register
- Set counting frequency through the DIV[15:0] in TMRx_DIV register
- Set counting period through the PR[15:0] in TMRx_PR register
- Enable counter through the TMREN bit in TMRx_CTRL1 register

To use external clock mode B, follow the steps below:

- Set external signal polarity through the ESP bit in TMRx_STCTRL register
- Set external signal frequency division through the ESDIV[1:0] bit in TMRx_STCTRL register
- Set external signal filter through the ESF[3:0] bit in TMRx_STCTRL register
- Enable external clock mode B through the ECMBEN bit in TMRx_STCTR register
- Set counting frequency through the DIV[15:0] bit in TMRx_DIV register
- Set counting period through the PR[15:0] bit in TMRx_PR register
- Enable counter through the TMREN in TMRx_CTRL1 register

Figure 14-10 Block diagram of external clock mode A



Note: The delay between the signal on the input side and the actual clock of the counter is due to the synchronization circuit.

Figure 14-11 Counting in external clock mode A, PR=0x32, DIV=0x0

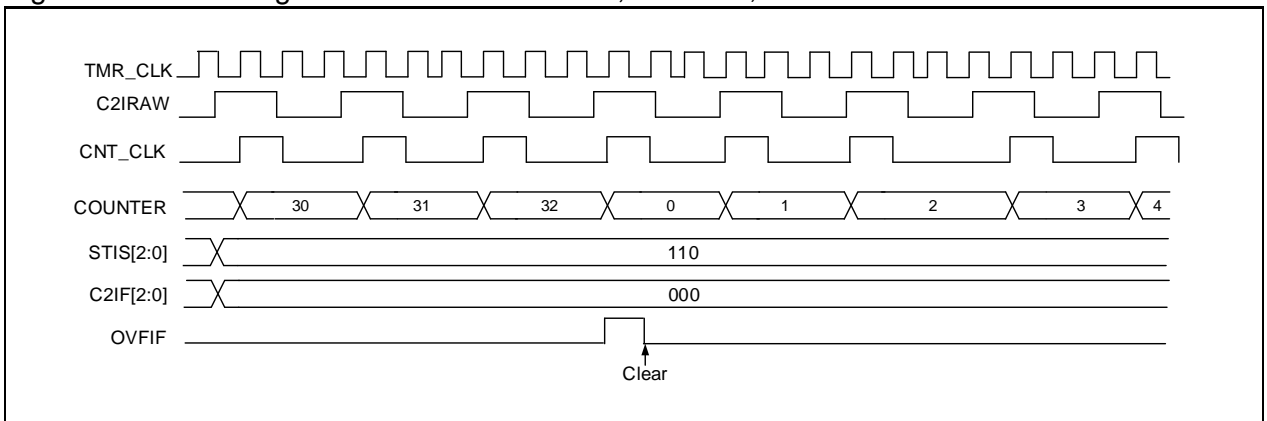
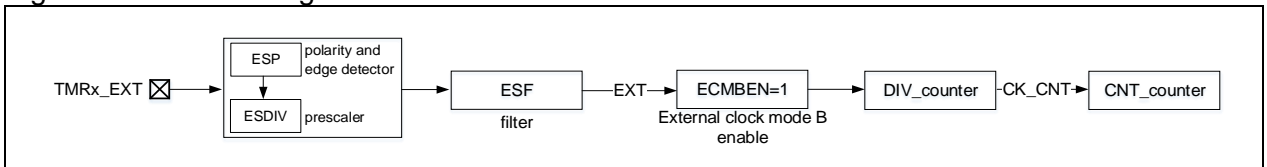
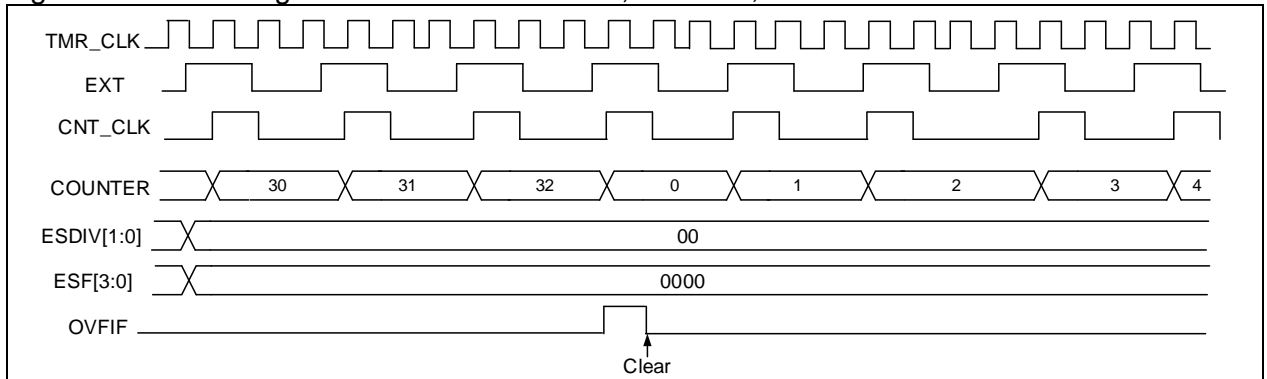


Figure 14-12 Block diagram of external clock mode B



Note: The delay between the EXT signal on the input side and the actual clock of the counter is due to the synchronization circuit.

Figure 14-13 Counting in external clock mode B, PR=0x32, DIV=0x0



Internal trigger input (ISx)

Timer synchronization allows interconnection between several timers. The TMR_CLK of one timer can be provided by the TRGOUT signal output by another timer. Set the STIS[2: 0] bit to select internal trigger signal to enable counting.

Each timer (TMR2 to TMR5) consists of a 16-bit prescaler, which is used to generate the CK_CNT that enables the counter to count. The frequency division relationship between the CK_CNT and TMR_CLK can be adjusted by setting the value of the TMRx_DIV register. The prescaler value can be modified at any time, but it takes effect only when the next overflow event occurs.

Below is the configuration procedure for internal trigger input:

- Set counting cycles through TMRx_PR register
- Set counting frequency through TMRx_DIV register
- Set counting modes through the TWCMSSEL[1:0] in TMRx_CTRL1 register
- Select internal trigger by setting STIS[2:0]= 3'b000~3'b011 in TMRx_STCTRL register
- Select external clock mode A by setting SMSEL[2:0]=3'b111 in TMRx_STCTRL register
- Enable TMRx to start counting through the TMREN in TMRx_CTRL1 register

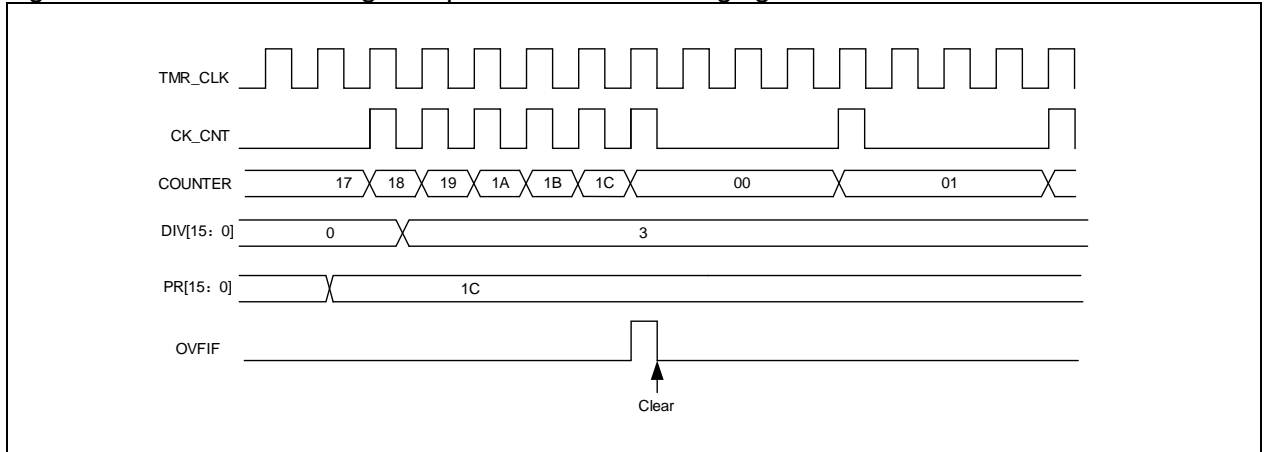
Table 14-3 TMRx internal trigger connection

Slave controller	IS0 (STIS = 000)	IS1 (STIS = 001)	IS2 (STIS = 010)	IS3 (STIS = 011)
TMR2	TMR1	TMR8/USB_SOF ⁽²⁾	TMR3	TMR4
TMR3	TMR1	TMR2	TMR5	TMR4
TMR4	TMR1	TMR2	TMR3	TMR8
TMR5	TMR2	TMR3	TMR4	TMR8

Note 1: If there is no corresponding timer in a device, the corresponding trigger signal ISx is not present.

Note 2: TMR8 or USB_SOF is available for IS1 to select, determined by the TMR2IS1_IRMP bit of the IOMUX_MAP4 register.

Figure 14-14 Counter timing with prescaler value changing from 1 to 4



14.2.3.2 Counting mode

The timer (TMR2 to TMR5) supports several counting modes to meet different application scenarios. Each timer has an internal 16-bit up, down, up/down counter. TMR2/5 can be extended to 32-bit by setting the PMEN bit. The TMRx_PR register is loaded with the counter value.

The value in the TMRx_PR is immediately moved to the shadow register by default. When the periodic buffer is enabled (PRBEN=1), the value in the TMRx_PR register is transferred to the shadow register only at an overflow event.

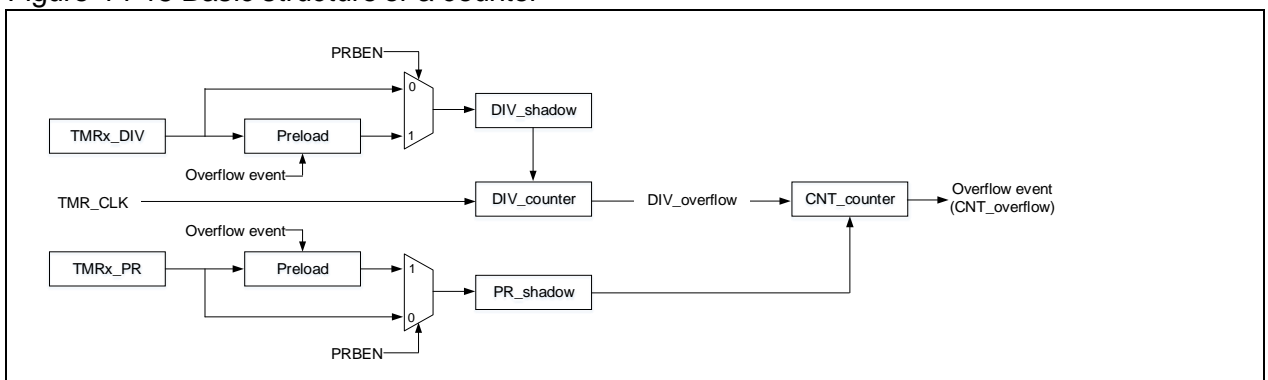
TMRx_DIV register is used to define the counter frequency of the counter. The counter counts once every DIV[15:0]+1 clock cycle. Similar to TMRx_PR register, after enabling periodic buffer, the value of the TMRx_DIV register are transferred into the shadow register at each overflow event.

Reading the TMRx_CNT register returns the current counter value. Writing the TMRx_CNT register will update the current counter value.

An overflow event is enabled by default. It can be disabled by setting OVFN=1 in the TMRx_CTRL1 register. The OVFS bit in the TMRx_CTRL1 register is used to select the source of an overflow event, which is, by default, counter overflow or underflow, setting OVFSWTR, reset signal generated by slave mode timer controller in reset mode. Once the OVFS is set, an overflow event is generated only when overflow or underflow occurs.

Setting the TMREN bit (TMREN=1) enables the timer to start counting. Base on synchronization logic, however, the actual enable signal TMR_EN is set 1 clock cycle after the TMREN is set.

Figure 14-15 Basic structure of a counter



Upcounting mode

In upcounting mode, the counter counts from 0 to the value programmed in the TMRx_PR register, then restarts from 0, and generates a counter overflow event, with the OVFI bit being set to 1. If the overflow event is disabled, the counter is no longer reloaded with the preload value and period value at a counter overflow event, otherwise, the counter is updated with the preload value and period value on an overflow event.

Figure 14-16 Overflow event when PRBEN=0

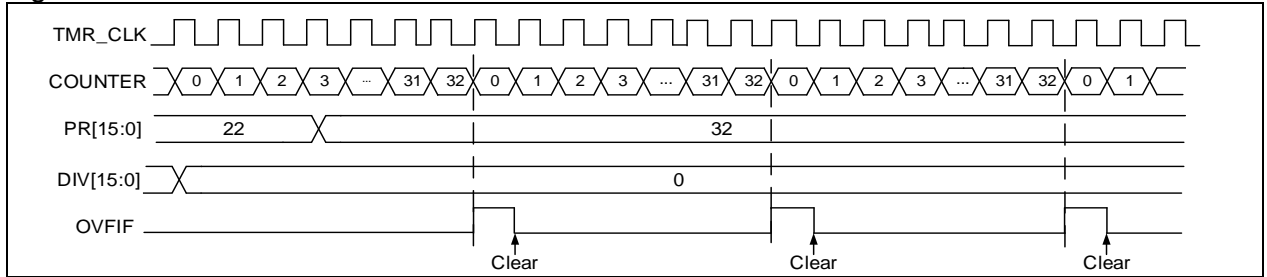
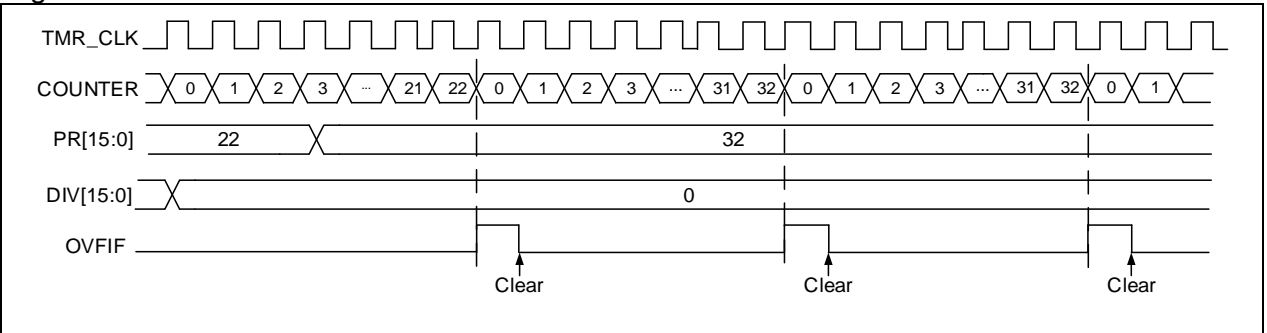


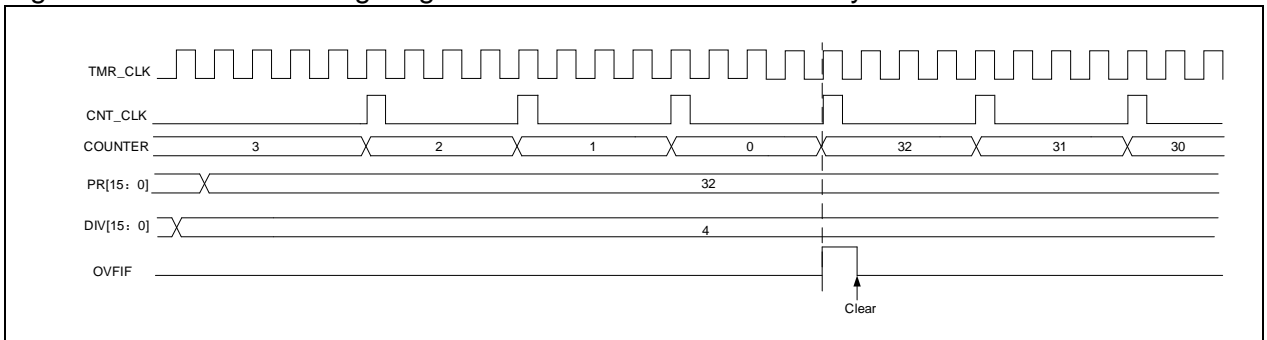
Figure 14-17 Overflow event when PRBEN=1



Downcounting mode

In downcounting mode, the counter counts from the value programmed in the TMRx_PR register down to 0, and restarts from the value programmed, and generates a counter underflow event.

Figure 14-18 Counter timing diagram with internal clock divided by 4



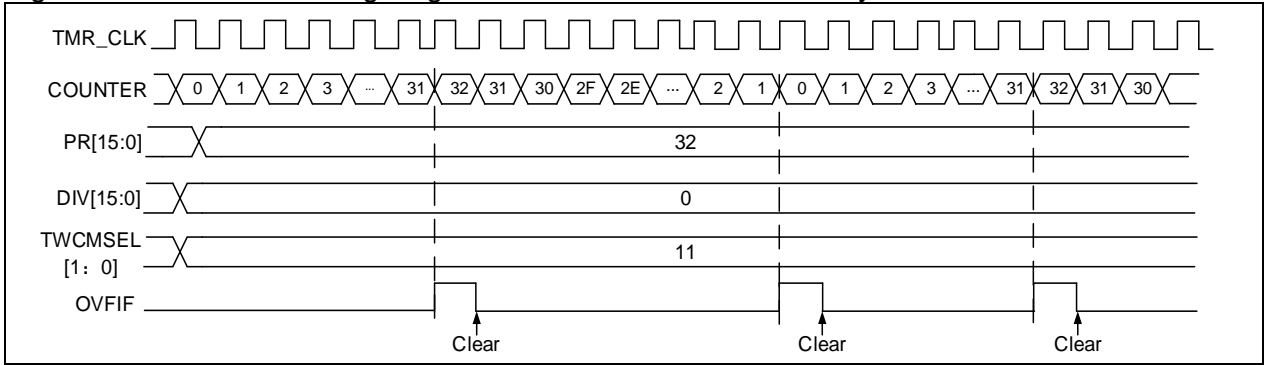
Up/down counting mode

Up/down counting mode can be enabled by setting CMSEL[1:0]≠2'b00 in the TMRx_CTRL1 register. In up/down counting mode, the counter counts up/down alternatively. When the counter counts from the value programmed in the TMRx_PR register down to 1, an underflow event is generated, and then restarts counting from 0; When the counter counts from 0 to the value of the TMRx_PR register -1, an overflow event is generated, and then restarts counting from the value of the TMRx_PR register. The OWCDIR bit indicates the current counting direction.

The TWCMSSEL[1:0] bit in the TMRx_CTRL1 register is used to select the condition under which the CxIF flag is set in two-way counting mode. In other words, when TWCMSSEL[1:0]=2'b01 (counting mode 1) is selected, the CxIF flag is set only when the counter counts down; when TWCMSSEL[1:0]=2'b10 (counting mode 2) is selected, the CxIF flag is set only when the counter counts up; when TWCMSSEL[1:0]=2'b11 (counting mode 3) is selected, the CxIF flag is set when the counter counts up and down.

Note: The OWCDIR is ready-only in up/down counting mode.

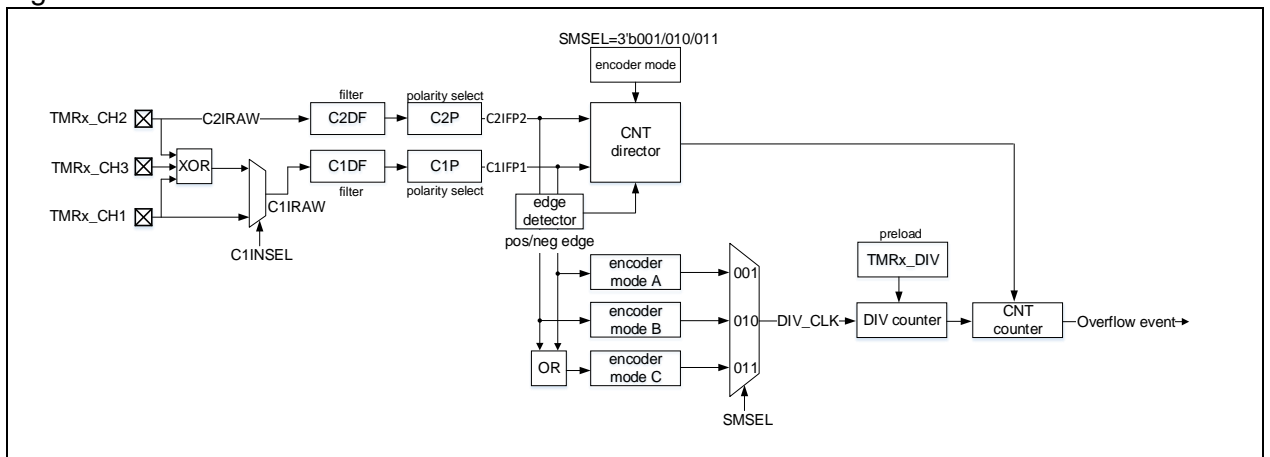
Figure 14-19 Counter timing diagram with internal clock divided by 1 and TMRx_PR=0x32



Encoder interface mode

In this mode, the two input (TMRx_CH1 and TMRx_CH2) signals are required. Depending on the level on one input, the counter counts up or down on the edge of the other input signal. The OWCDIR bit indicates the direction of the counter, as shown in the table below:

Figure 14-20 Encoder mode structure



Encoder mode A: SMSEL=3'b001. The counter counts on the selected C1IFP1 edge (rising and falling edges), and the counting direction is dependent on the edge direction of C1IFP1 and the level of C2IFP2.

Encoder mode B: SMSEL=3'b010. The counter counts on the selected C2IFP2 edge (rising and falling edges), and the counting direction is dependent on the edge direction of C2IFP2 and the level of C1IFP1.

Encoder mode C: SMSEL=3'b011. The counter counts on both C1IFP1 and C2IFP2 edges (rising and falling edges). The counting direction is dependent on the C1IFP1 edge direction and C2IFP2 level, and C2IFP2 edge direction and C1IFP1 level.

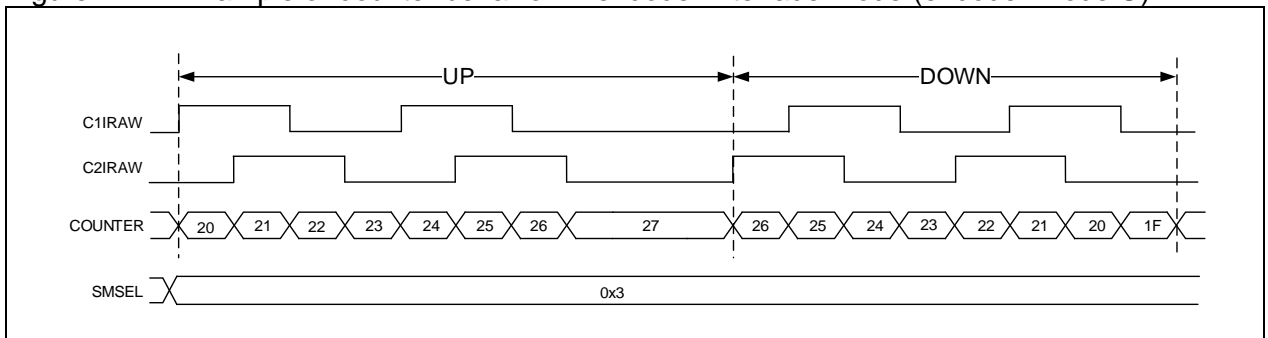
To use encoder mode, follow the procedures below:

- Set channel 1 input signal filtering through the C1DF[3:0] bit in the TMRx_CM1 register;
- Set channel 1 input signal active level through the C1P bit in the TMRx_CCTRL register
- Set channel 2 input signal filtering through the C2DF[3:0] bit in the TMRx_CM1 register;
- Set channel 2 input signal active level through the C2P bit in the TMRx_CCTRL register
- Set channel 1 as input mode through the C1C[1:0] bit in the TMRx_CM1 register;
- Set channel 2 as input mode through the C2C[1:0] bit in the TMRx_CM1 register
- Select encoder mode A (SMSEL=3'b001), encoder mode B (SMSEL=3'b010), or encoder mode C (SMSEL=3'b011) by setting the SMSEL[2:0] bit in the TMRx_STCTRL register
- Set counting cycles through the PR[15:0] bit in the TMRx_PR register
- Set counting frequency through the DIV[15:0] bit in the TMRx_DIV register
- Configure the corresponding IOs of TMRx_CH1 and TMRx_CH2 as multiplexed mode
- Enable counter through the TMREN bit in the TMRx_CTRL1 register

Table 14-4 Counting direction versus encoder signals

Active edge	Level on opposite signal (C1IFP1 to C2IFP2, C2IFP2 to C1IFP1)	C1IFP1 signal		C2IFP2 signal	
		Rising	Falling	Rising	Falling
Count on C1IFP1 only	High	Down	Up	No count	No count
	Low	Up	Down	No count	No count
Count on C2IFP2 only	High	No count	No count	Up	Down
	Low	No count	No count	Down	Up
Count on both C1IFP1 and C2IFP2	High	Down	Up	Up	Down
	Low	Up	Down	Down	Up

Figure 14-21 Example of counter behavior in encoder interface mode (encoder mode C)



14.2.3.3 TMR input function

Each of TMR2~TMR5 timers has four independent channels, each of which can be configured as input or output. As input, each channel input signal is handled as follows:

- TMRx_CHx outputs the pre-processed CxIRAW. The C1INSEL bit is used to select the source of C1IRAW from TMRx_CH1 or the XOR-ed TMRx_CH1, TMRx_CH2 and TMRx_CH3. The sources of C2IRAW, C3IRAW and C4IRAW are TMRx_CH2, TMRx_CH3 and TMRx_CH4, respectively.
- CxIRAW inputs digital filter and outputs filtered CxIF signal. The digital filter uses the CxDF bit to program sampling frequency and sampling times.
- CxIF inputs edge detector, and outputs the CxIFPx signal after edge selection. The edge selection depends on both CxP and CxCP bits. It is possible to select input rising edge, falling edge or both edges.
- CxIFPx inputs capture signal selector, and outputs the CxIN signal after capture signal selection. The capture signal selection is defined by CxC bit. It is possible to select CxIFPx, CyIFPx or STCI as CxIN source. Of those, CyIFPx (x≠y) is the CyIFPy signal that is from Y channel and processed by channel-x edge detector (for example, C1IFP2 is the channel 1's C1IFP1 signal that passed through channel 2 edge detection). The STCI comes from slave timer controller, and its source is selected by STIS bit.
- CxIN outputs the CxIPS signal that is divided by input channel divider. The divider factor can be defined as No division, /2, /4 or /8, by the CxDIV bit. It can be used for filtering, selection, division and input capture of input signals.

Figure 14-22 Input/output channel 1 main circuit

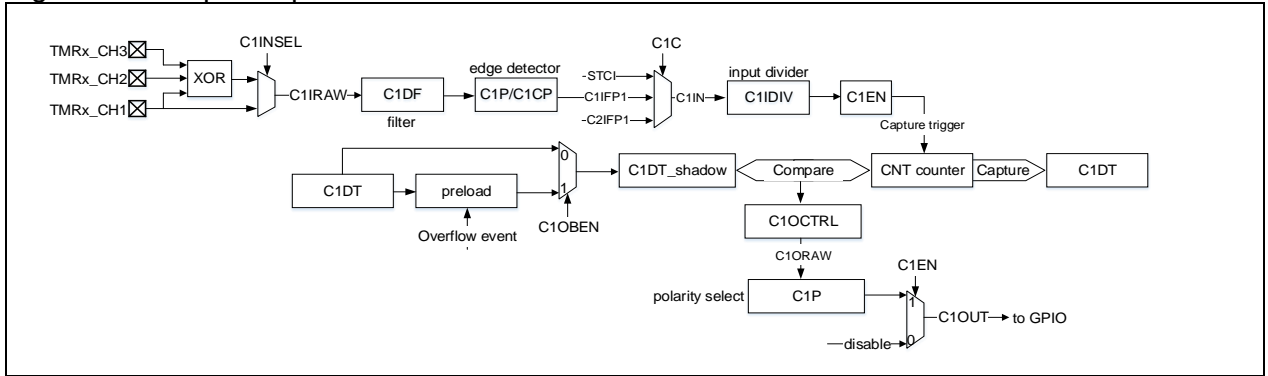
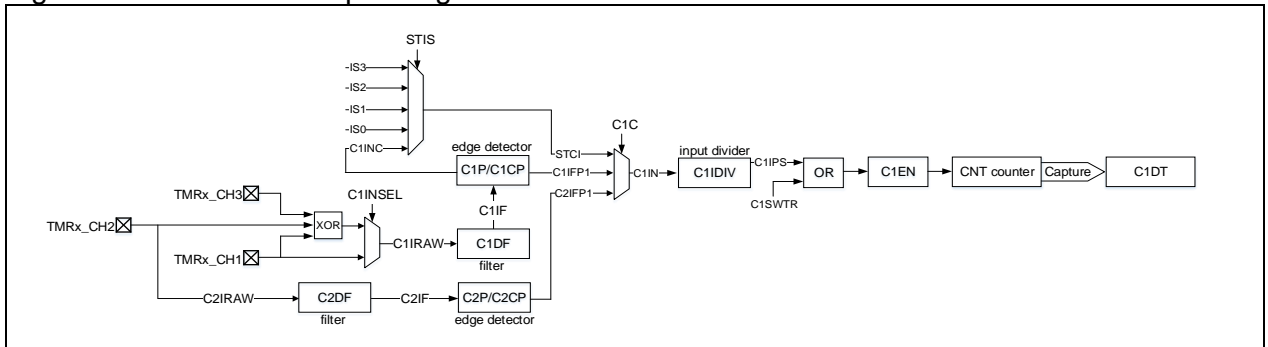


Figure 14-23 Channel 1 input stage



Input capture

In input mode, the TMRx_CxDT registers latch the current counter values after the selected trigger signal is detected, and the capture compare interrupt flag bit (CxIF) is set. An interrupt or a DMA request will be generated if the CxIEN and CxDEN bits are enabled. If the selected trigger signal is detected when the CxIF is set to 1, the CxRF is set to 1.

To capture the rising edge of C1IN input, following the configuration procedure mentioned below:

- Set C1C=01 in the TMRx_CxM1 register to select the C1IN as channel 1 input
- Set the filter bandwidth of C1IN signal (CxDF[3: 0])
- Set the active edge on the C1IN channel by writing C1P=0 (rising edge) in the TMRx_CCTR register
- Program C1IN signal capture frequency divider (C1DIV[1: 0])
- Enable channel 1 input capture (C1EN=1)
- If needed, enable the relevant interrupt or DMA request by setting the C1IEN bit in the TMRx_IDEN register or the C1DEN bit in the TMRx_IDEN register

Timer Input XOR function

The 3 timer input pins (TMRx_CH1, TMRx_CH2 and TMRx_CH3) are connected to the channel 1 (selected by setting the C1INSE in the TMRx_CTRL2 register) through an XOR gate.

The XOR gate can be used to connect Hall sensors. For example, connect the three XOR inputs to the three Hall sensors respectively so as to calculate the position and speed of the rotation by analyzing three Hall sensor signals.

PWM input

PWM input mode is applied to channel 1 and 2. To use this mode, both C1IN and C2IN are mapped on to the same TMRx_CHx, and the CxIFPx of either channel 1 or channel 2 must be configured as trigger input and slave mode controller is configured in reset mode.

The PWM input mode can be used to measure the period and duty cycle of the PWM input signal. For example, the user can measure the period and duty cycle of the PWM applied on channel 1 using the following procedures:

- Set C1C=2'b01: select C1IN for C1IFP1
- Set C1P=1'b0, select C1IFP1 rising edge active
- Set C2C=2'b10, select C2IN for C1IFP2

- Set C2P=1'b1, select C1IFP2 falling edge active
- Set STIS=3'b101, select the slave mode timer trigger signal as C1IFP1
- Set SMSEL=3'b110: configure the slave mode controller in reset mode
- Set C1EN=1'b1 and C2EN=1'b1. Enable channel 1 and input capture

After above configuration, the rising edge of channel 1 input signal will trigger the capture and stores the capture value into C1DT register, and it will reset the counter at the same time. The falling edge of the channel 1 input signal triggers the capture and stores the capture value into C2DT register. The period of the channel 1 input signal is calculated through C1DT, and its duty cycle through C2DT.

Figure 14-24 PWM input mode configuration example

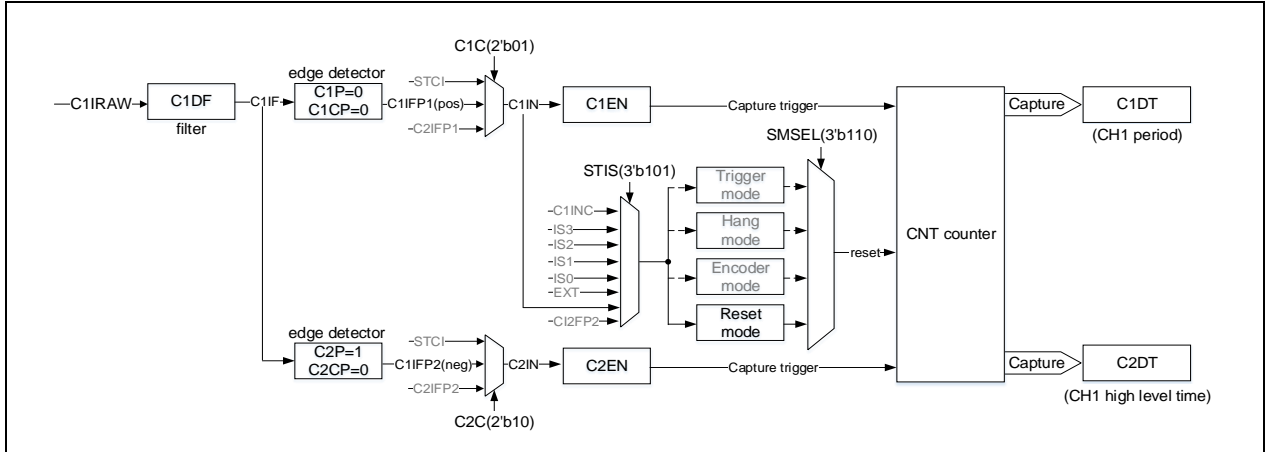
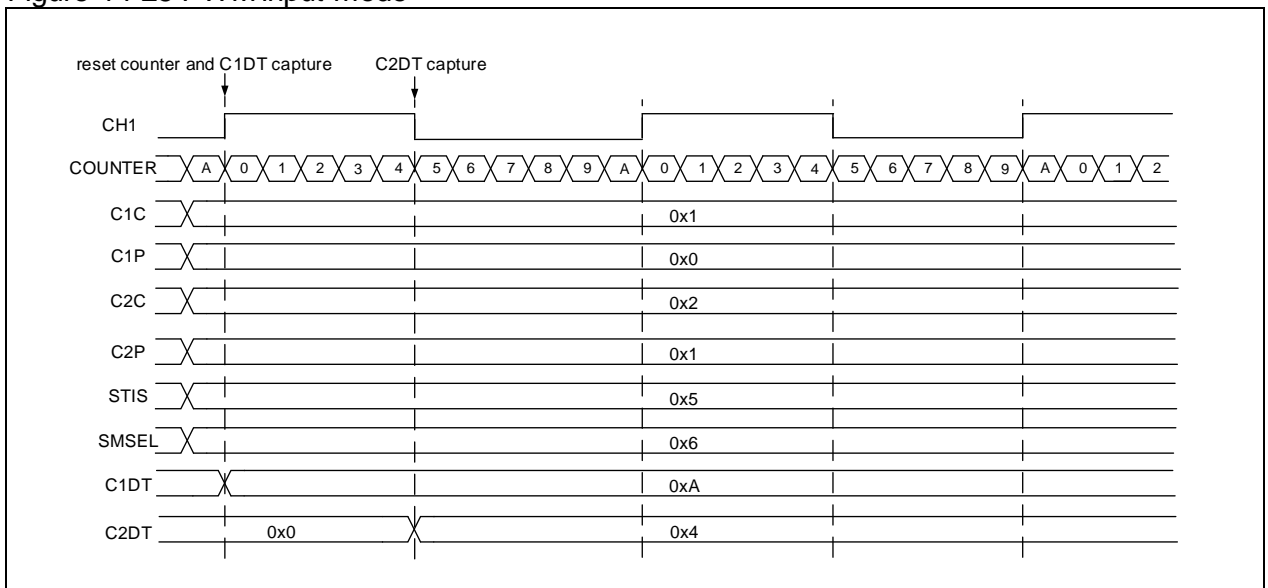


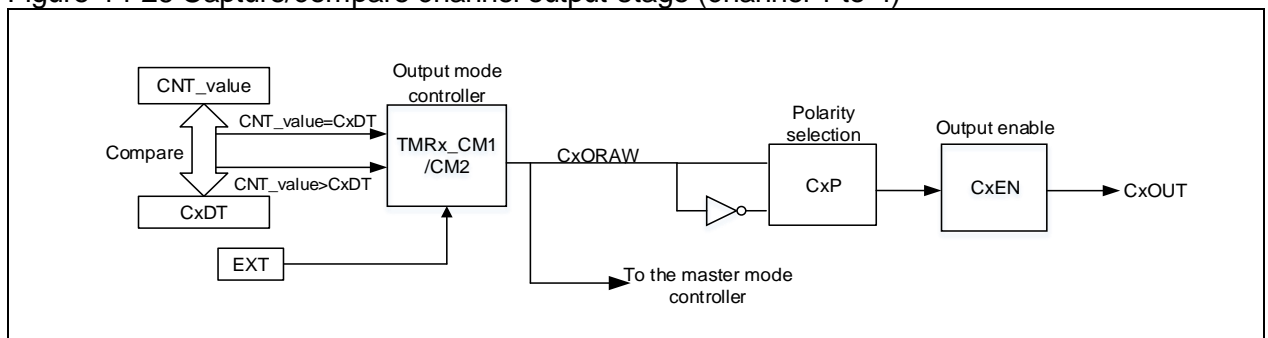
Figure 14-25 PWM input mode



14.2.3.4 TMR output function

The TMR output consists of a comparator and an output controller. It is used to program the period, duty cycle and polarity of the output signal.

Figure 14-26 Capture/compare channel output stage (channel 1 to 4)



Output mode

Write $CxC[1:0] \neq 2'b00$ to configure the channel as output to implement multiple output modes. In this case, the counter value is compared with the value in the TMRx_CxDT register, and the intermediate signal CxORAW is generated according to the output mode selected by CxOCTRL[2:0], which is sent to IO after being processed by the output control circuit. The period of the output signal is configured by the TMRx_PR register, while the duty cycle by the TMRx_CxDT register.

Output compare modes include:

PWM mode A:

Enable PWM mode A by setting CxOCTRL=3'b110. In upcounting mode, C1ORAW outputs high when $TMRx_C1DT > TMRx_CVAL$, otherwise, it is low; In downcounting mode, C1ORAW outputs low when $TMRx_C1DT < TMRx_CVAL$, otherwise, it is high.

To use PWM mode A, the following procedures are recommended:

- Set PWM periods through TMRx_PR register
- Set PWM duty cycles through TMRx_CxDT
- Select PWM mode A by setting CxOCTRL=3'b110 in the TMRx_CM1/CM2 register
- Set counting frequency through TMRx_DIV register
- Select counting mode by setting the TWCMSEL[1:0] bit in the TMRx_CTRL1 register
- Select output polarity through the CxP and CxCP bits in the TMRx_CCTRL register
- Enable channel output through the CxEN and CxCEN bits in the TMRx_CCTRL register
- Enable TMRx output through the OEN bit in the TMRx_BRK register
- Configure GPIOs corresponding to TMR output channels as multiplexed mode
- Enable TMRx to start counting through the TMREN bit in the TMRx_CTRL1 register.

PWM mode B:

Enable PWM mode B by setting CxOCTRL=3'b111. In upcounting mode, C1ORAW outputs low when $TMRx_C1DT > TMRx_CVAL$, otherwise, it is high; In downcounting mode, C1ORAW outputs high when $TMRx_C1DT < TMRx_CVAL$, otherwise, it is low.

Forced output mode:

Enable forced output mode by setting CxOCTRL=3'b100/101. In this case, the CxORAW is forced to be the programmed level, regardless of the counter value. Despite this, the channel flag bit and DMA request still depend on the compare result.

Output compare mode:

Enable output compare mode by setting CxOCTRL=3'b001/010/011. In this case, when the counter value matches the value of the CxDT register, the CxORAW is forced high (CxOCTRL=3'b001), low (CxOCTRL=3'b010) or toggling (CxOCTRL=3'b011).

One-pulse mode:

This is a particular case of PWM mode. Enable one-pulse by setting OCMEN=1. In this mode, the comparison match is performed in the current counting period. The TMREN bit is cleared as soon as the current counting is completed. Therefore, only one pulse is output. When configured in upcounting mode, the configuration must follow the rule: $CVAL < CxDT \leq PR$; in downcounting mode, $CVAL > CxDT$ is required.

Fast output mode:

Enable this mode by setting CxOEN=1. If enabled, the CxORAW signal will not change when the counter value matches the CxDT, but change at the beginning of the current counting period. In other words, the comparison result is advanced, so the comparison result between the counter value and the TMRx_CxDT register will determine the level of CxORAW in advance.

Figure 14-27 gives an example of output compare mode (toggle) with $C1DT=0x3$. When the counter value is equal to $0x3$, C1OUT toggles.

Figure 14-28 gives an example of the combination between upcounting mode and PWM mode A. The output signal behaves when $PR=0x32$ but CxDT is configured with a different value.

Figure 14-29 gives an example of the combination between up/down counting mode and PWM mode A. The output signal behaves when $PR=0x32$ but CxDT is configured with a different value.

Figure 14-30 gives an example of the combination between upcounting mode and one-pulse PWM

mode B. The counter only counts only one cycle, and the output signal sends only one pulse.

Figure 14-27 C1ORAW toggles when counter value matches the C1DT value

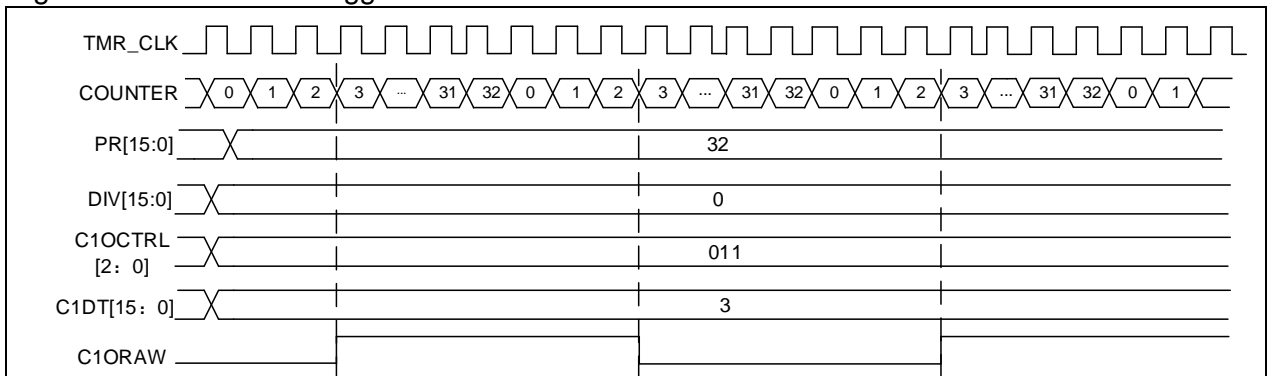


Figure 14-28 Upcounting mode and PWMmode A

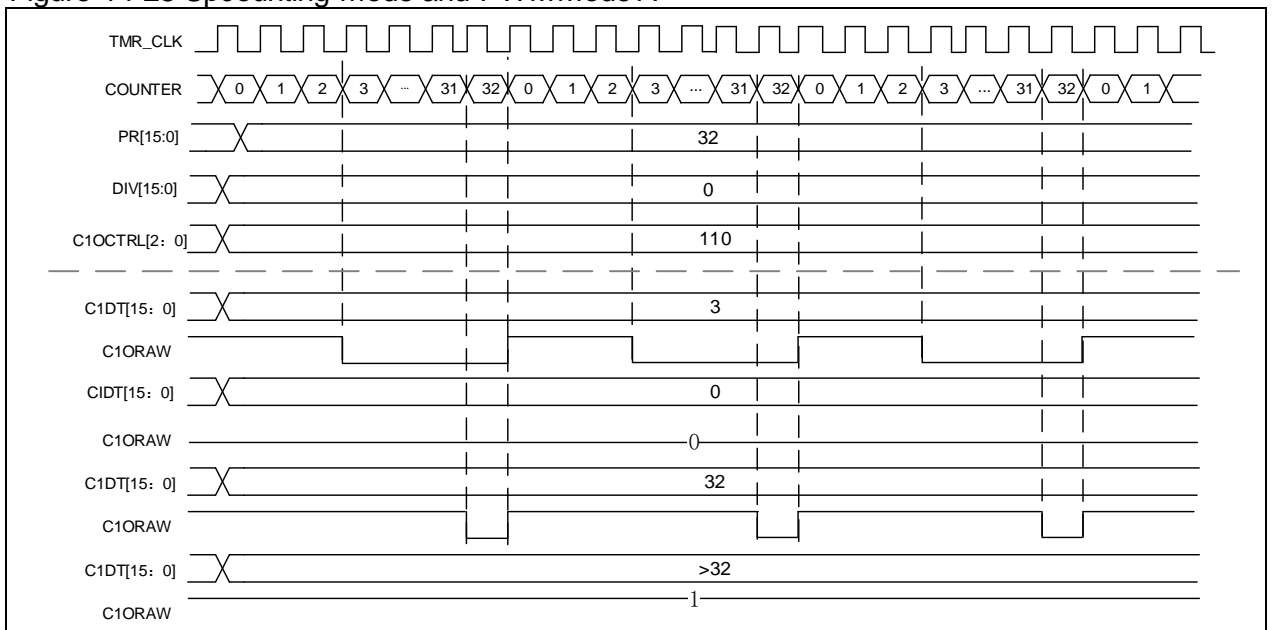


Figure 14-29 Up/down counting mode and PWM mode A

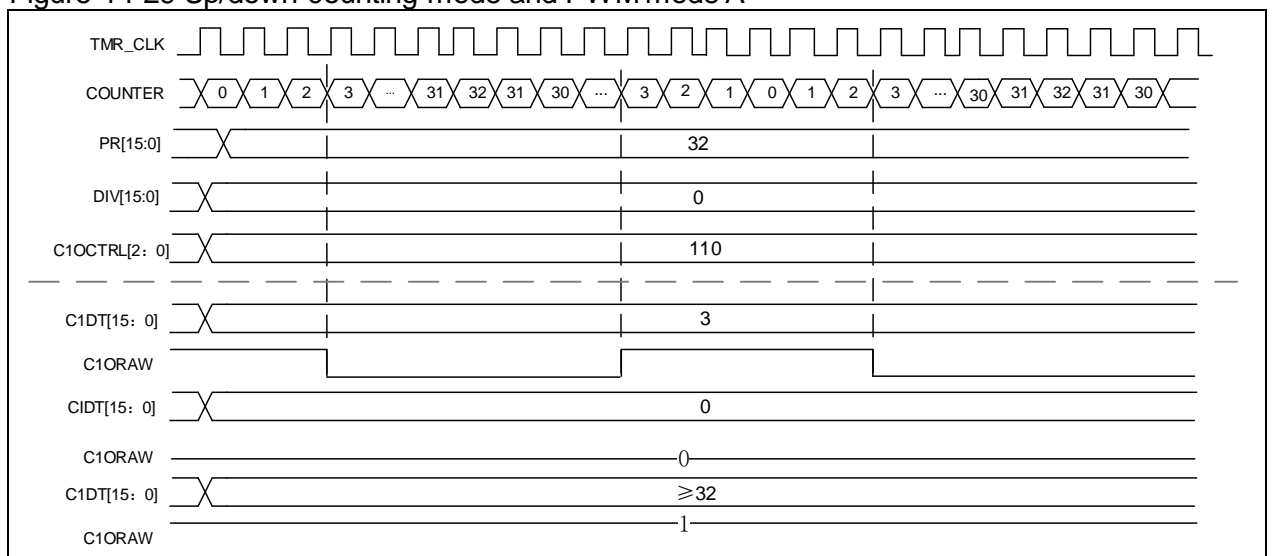
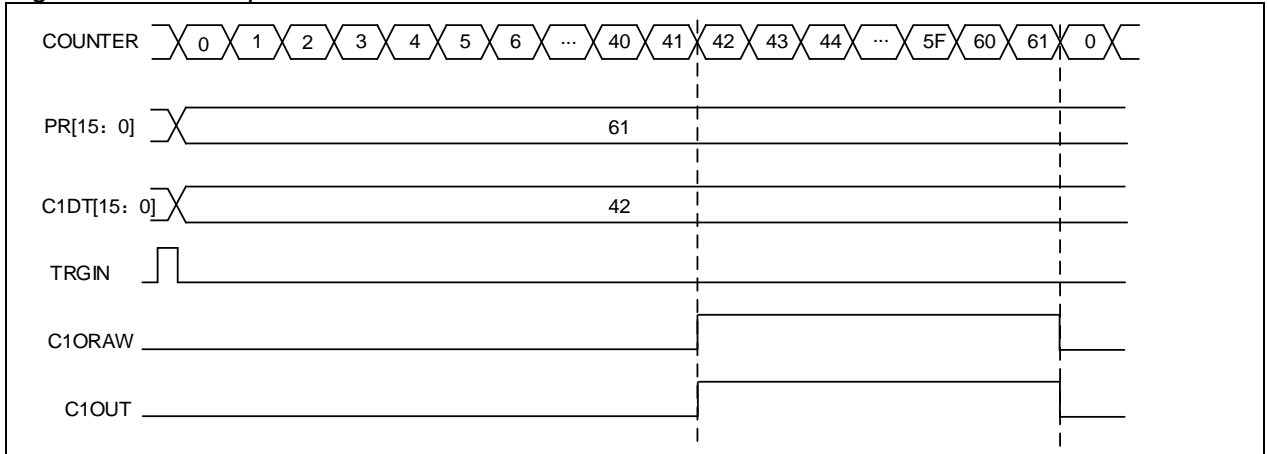


Figure 14-30 One-pulse mode



Master mode timer event output

When TMR is used as a master timer, one of the following source of signals can be selected as TRGOUT output to a slave mode timer. This is done by setting the PTOS bit in the TMRxCTRL2 register.

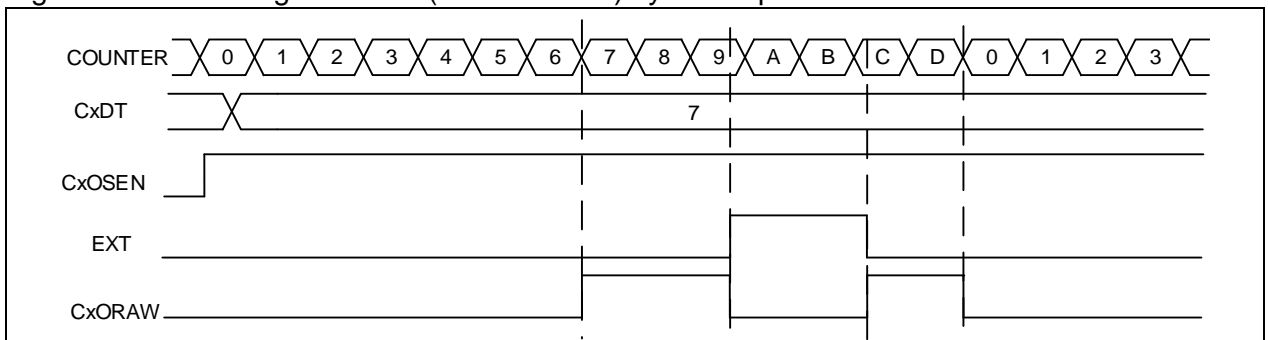
- PTOS=3'b000, TRGOUT output software overflow event (OVFSWTR bit in TMRx_SWEVT register)
- PTOS=3'b001, TRGOUT output counter enable
- PTOS=3'b010, TRGOUT output counter overflow event
- PTOS=3'b011, TRGOUT output capture and compare event
- PTOS=3'b100, TRGOUT output C1ORAW
- PTOS=3'b101, TRGOUT output C2ORAW
- PTOS=3'b110, TRGOUT output C3ORAW
- PTOS=3'b111, TRGOUT output C4ORAW

CxORAW clear

When the CxOSEN bit is set to 1, the CxORAW signal for a given channel is cleared by applying a high level to the EXT input. The CxORAW signal remains unchanged until the next overflow event.

This function applies to output capture or PWM modes, but does not work in forced mode. Figure 14-28 shows the example of clearing CxORAW signal. When the EXT input is high, the CxORAW signal, which was originally high, is driven low; when the EXT is low, the CxORAW signal outputs the corresponding level according to the comparison result between the counter value and CxDT value.

Figure 14-31 Clearing CxORAW(PWM mode A) by EXT input



14.2.3.5 TMR synchronization

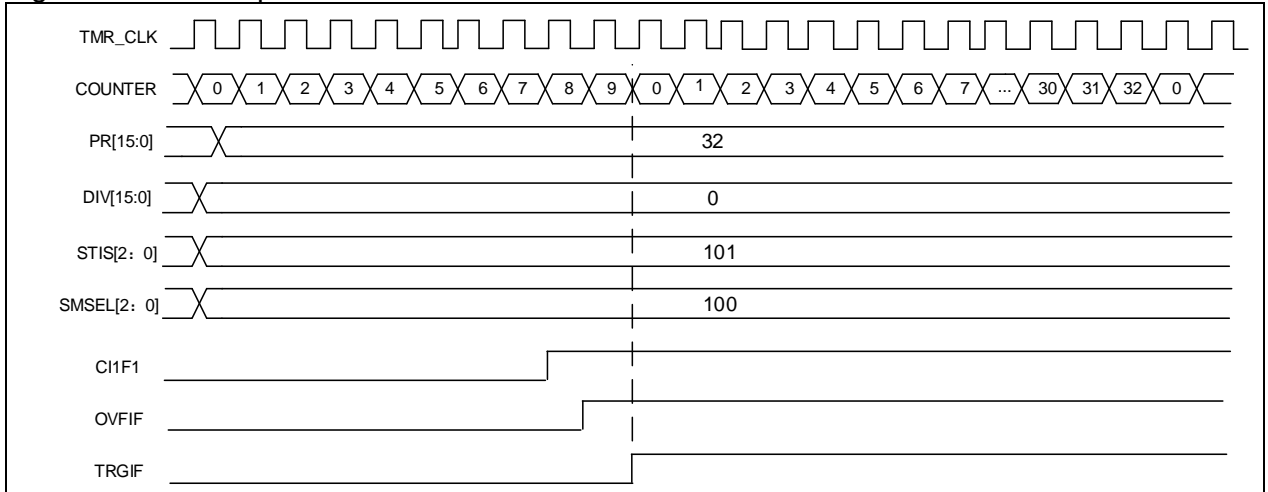
The timers are linked together internally for timer synchronization. Master timer is selected by setting the PTOS[2: 0] bit; Slave timer is selected by setting the SMSEL[2: 0] bit.

Slave mode include:

Slave mode: Reset mode

The counter and its prescaler can be reset by a selected trigger signal. An overflow event is generated when OVFS=0.

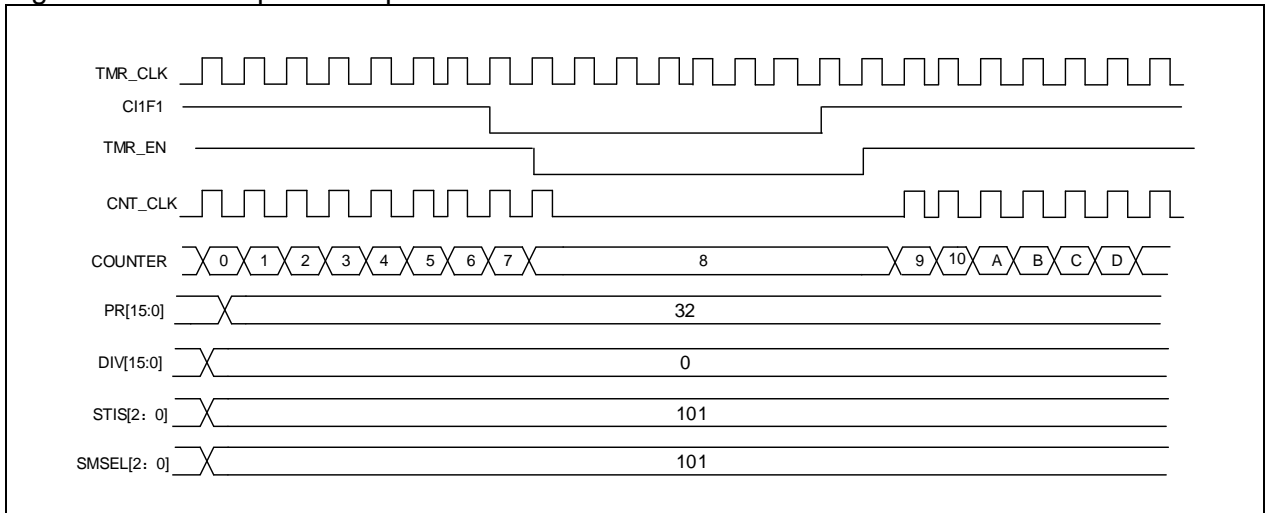
Figure 14-32 Example of reset mode



Slave mode: Suspend mode

In this mode, the counter is controlled by a selected trigger input. The counter starts counting when the trigger input is high and stops as soon as the trigger input is low.

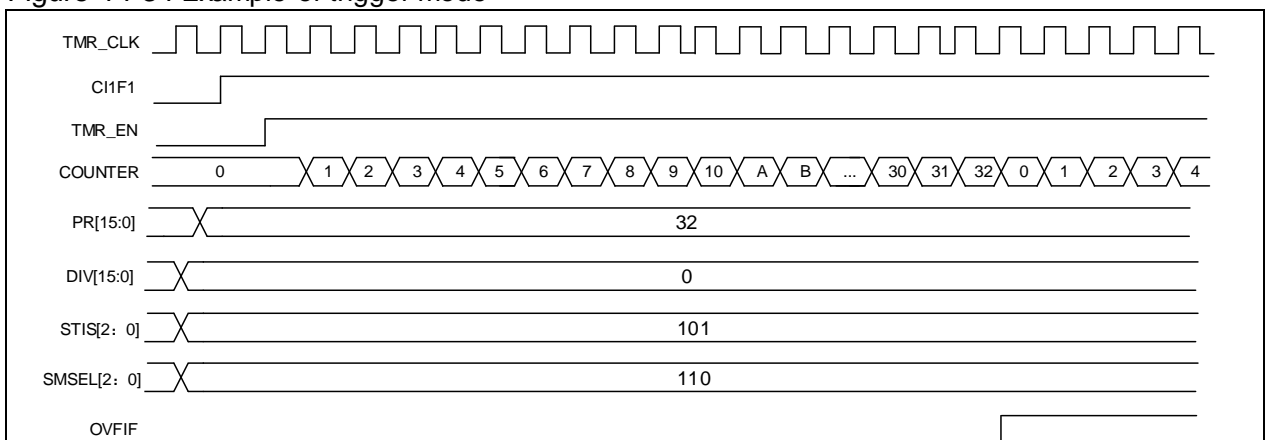
Figure 14-33 Example of suspend mode



Slave mode: Trigger mode

The counter can start counting on the rising edge of a selected trigger input (TMR_EN=1)

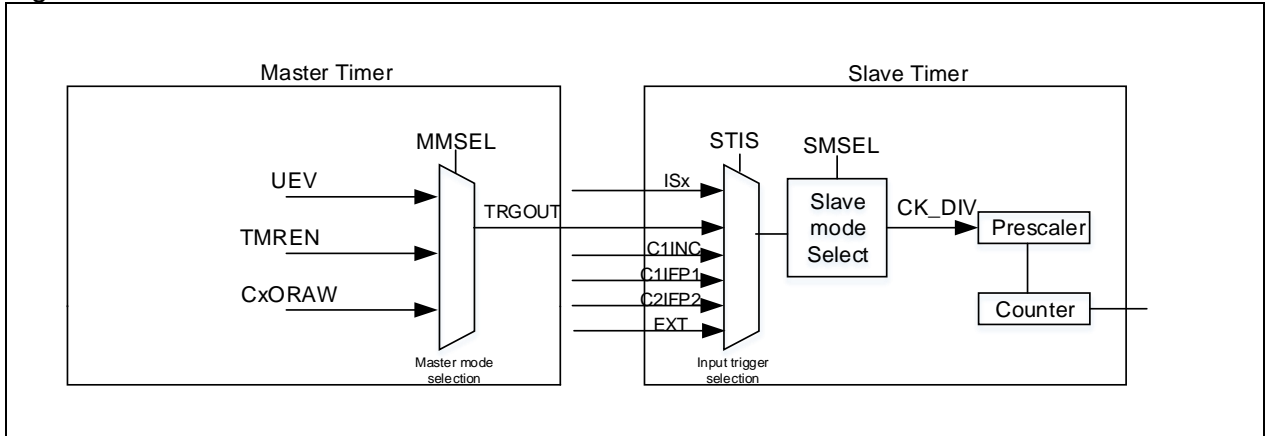
Figure 14-34 Example of trigger mode



Master/slave timer interconnection

Both Master and slave timer can be configured in different master and slave modes respectively. The combination of both them can be used for various purposes. Figure 14-29 provides an example of interconnection between master timer and slave timer.

Figure 14-35 Master/slave timer connection



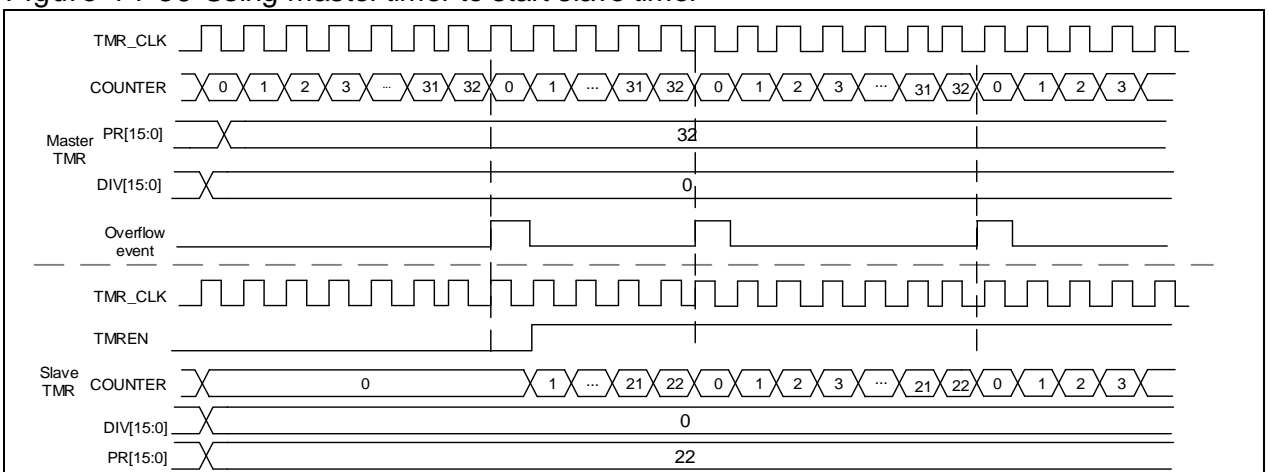
Using master timer to clock the slave timer:

- Configure master timer output signal TRGOUT as an overflow event (PTOS[2: 0]=3'b010). The master timer outputs a pulse signal at each counter overflow event, which is used as the counting clock of the slave timer.
- Configure the master timer counting period (TMRx_PR registers)
- Configure the slave timer trigger input signal TRGIN as master timer output (STIS[2: 0] in the TMRx_STCTRL register)
- Configure the slave timer to use external clock mode A (SMSEL[2: 0]=3'b111 in the TMRx_STCTRL register)
- Set TMREN =1 in both master timer and slave timer to enable them

Using master timer to start slave timer:

- Configure master timer output signal TRGOUT as an overflow event (PTOS[2: 0]=3'b010). The master timer outputs a pulse signal at each counter overflow event, which is used as the counting clock of the slave timer.
- Configure master timer counting period (TMRx_PR registers)
- Configure slave timer trigger input signal TRGIN as master timer input
- Configure slave timer as trigger mode (SMSEL=3'b110 in the TMR2_STCTRL register)
- Set TMREN=1 to enable master timer.

Figure 14-36 Using master timer to start slave timer



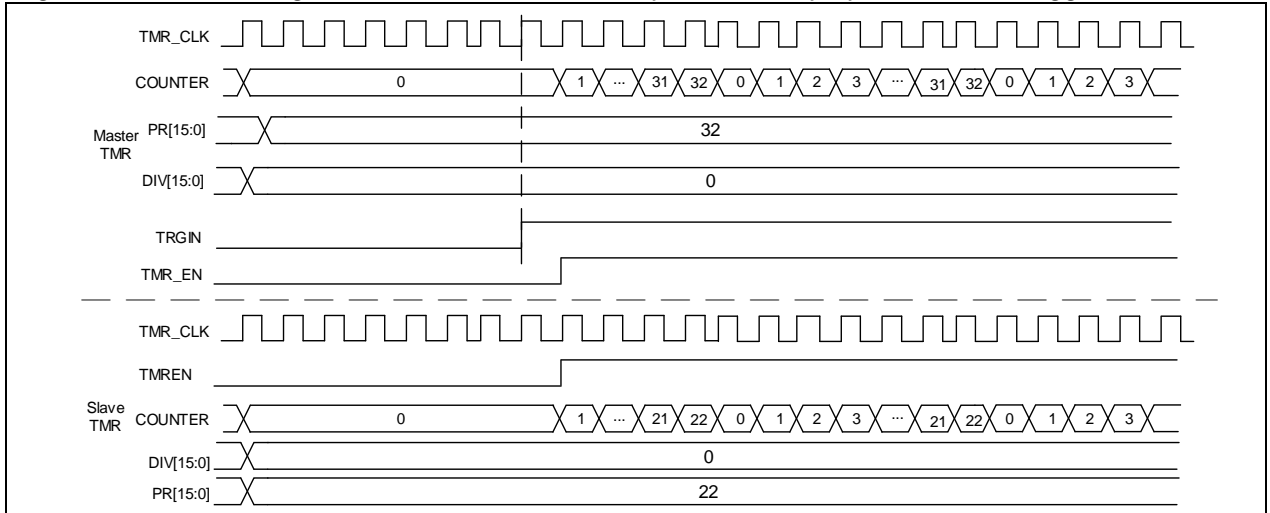
Starting master and slave timers synchronously by an external trigger:

In this example, configure the master timer as master/slave mode synchronously and enable its slave timer synchronization function. This mode is used for synchronization between master timer and slave timer.

- Set the STS bit of the master timer.

- Configure master timer output signal TRGOUT as an overflow event (PTOS[2: 0]=3'b010). The master timer outputs a pulse signal at each counter overflow event, which is used as the counting clock of the slave timer.
- Configure the slave timer mode of the master timer as trigger mode, and select C1IN as trigger source
- Configure slave timer trigger input signal TRGIN as master timer output
- Configure slave timer as trigger mode (SMSEL=3'b110 in the TMR2_STCTRL register)

Figure 14-37 Starting master and slave timers synchronously by an external trigger



14.2.3.6 Debug mode

When the microcontroller enters debug mode (Cortex™-M4F core halted), the TMRx counter stops counting by setting the TMRx_PAUSE in the DEBUG module.

14.2.4 TMRx registers

These peripheral registers must be accessed by word (32 bits).

All TMRx register are mapped into a 16-bit addressable space.

Table 14-5 TMR2 to TMR5 register map and reset value

Register	Offset	Reset value
TMRx_CTRL1	0x00	0x0000
TMRx_CTRL2	0x04	0x0000
TMRx_STCTRL	0x08	0x0000
TMRx_IDEN	0x0C	0x0000
TMRx_ISTS	0x10	0x0000
TMRx_SWEVT	0x14	0x0000
TMRx_CM1	0x18	0x0000
TMRx_CM2	0x1C	0x0000
TMRx_CCTRL	0x20	0x0000
TMRx_CVAL	0x24	0x0000 0000
TMRx_DIV	0x28	0x0000
TMRx_PR	0x2C	0x0000 0000
TMRx_C1DT	0x34	0x0000 0000
TMRx_C2DT	0x38	0x0000 0000
TMRx_C3DT	0x3C	0x0000 0000

TMRx_C4DT	0x40	0x0000 0000
TMRx_DMACTRL	0x48	0x0000
TMRx_DMADT	0x4C	0x0000

14.2.4.1 Control register1 (TMRx_CTRL1)

Bit	Register	Reset value	Type	Description
Bit 15: 11	Reserved	0x00	resd	Kept at its default value.
Bit 10	PMEN	0x0	rw	<p>Plus Mode Enable</p> <p>This bit is used to enable TMRx plus mode. In this mode, TMRx_CVAL, TMRx_PR and TMRx_CxDT are extended from 16-bit to 32-bit.</p> <p>0: Disabled 1: Enabled</p> <p>Note: This function is only valid for TMR2 and TMR5. It is not applicable to other TMRs.</p>
Bit 9: 8	CLKDIV	0x0	rw	<p>Clock division</p> <p>00: Normal 01: Divided by 2 10: Divided by 4 11: Reserved</p>
Bit 7	PRBEN	0x0	rw	<p>Period buffer enable</p> <p>0: Period buffer is disabled 1: Period buffer is enabled</p>
Bit 6: 5	TWCMSEL	0x0	rw	<p>Two-way counting mode selection</p> <p>00: One-way counting mode, depending on the OWCDIR bit 01: Two-way counting mode 1, count up and down alternately, the CxIF is set only when the counter counts down 10: Two-way counting mode 2, count up and down alternately, the CxIF is set only when the counter counts up 11: Two-way counting mode 3, count up and down alternately, the CxIF is set when the counter counts up / down</p>
Bit 4	OWCDIR	0x0	rw	<p>One-way count direction</p> <p>0: Up 1: Down</p>
Bit 3	OCMEN	0x0	rw	<p>One cycle mode enable</p> <p>This bit is use to select whether to stop counting at an overflow event</p> <p>0: The counter does not stop at an update event 1: The counter stops at an update event</p>
Bit 2	OVFS	0x0	rw	<p>Overflow event source</p> <p>This bit is used to select overflow event or DMA request sources.</p> <p>0: Counter overflow, setting the OVFSWTR bit or overflow event generated by slave timer controller 1: Only counter overflow generates an overflow event</p>
Bit 1	OVFEN	0x0	rw	<p>Overflow event enable</p> <p>0: Enabled 1: Disabled</p>
Bit 0	TMREN	0x0	rw	<p>TMR enable</p> <p>0: Disabled</p>

1: Enabled

14.2.4.2 Control register2 (TMRx_CTRL2)

Bit	Register	Reset value	Type	Description
Bit 15: 8	Reserved	0x00	resd	Kept at its default value.
Bit 7	C1INSEL	0x0	rw	C1IN selection 0: CH1 pin is connected to C1IRAW input 1: The XOR result of CH1, CH2 and CH3 pins is connected to C1IRAW input
Bit 6: 4	PTOS	0x0	rw	Master TMR output selection This field is used to select the TMRx signal sent to the slave timer. 000: Reset 001: Enable 010: Update 011: Compare pulse 100: C1ORAW signal 101: C2ORAW signal 110: C3ORAW signal 111: C4ORAW signal
Bit 3	DRS	0x0	rw	DMA request source 0: Capture/compare event 1: Overflow event
Bit 2: 0	Reserved	0x0	resd	Kept at its default value.

14.2.4.3 Slave timer control register (TMRx_STCTRL)

Bit	Register	Reset value	Type	Description
Bit 15	ESP	0x0	rw	External signal polarity 0: High or rising edge 1: Low or falling edge
Bit 14	ECMBEN	0x0	rw	External clock mode B enable This bit is used to enable external clock mode B 0: Disabled 1: Enabled
Bit 13: 12	ESDIV	0x0	rw	External signal divide This field is used to select the frequency division of an external trigger 00: Normal 01: Divided by 2 10: Divided by 4 11: Divided by 8
Bit 11: 8	ESF	0x0	rw	External signal filter This field is used to filter an external signal. The external signal can be sampled only after it has been generated N times 0000: No filter, sampling by f_{DTS} 0001: $f_{SAMPLING} = f_{CK_INT}$, N=2 0010: $f_{SAMPLING} = f_{CK_INT}$, N=4 0011: $f_{SAMPLING} = f_{CK_INT}$, N=8 0100: $f_{SAMPLING} = f_{DTS}/2$, N=6 0101: $f_{SAMPLING} = f_{DTS}/2$, N=8 0110: $f_{SAMPLING} = f_{DTS}/4$, N=6 0111: $f_{SAMPLING} = f_{DTS}/4$, N=8 1000: $f_{SAMPLING} = f_{DTS}/8$, N=6

				1001: $f_{SAMPLING}=f_{DTS}/8$, N=8 1010: $f_{SAMPLING}=f_{DTS}/16$, N=5 1011: $f_{SAMPLING}=f_{DTS}/16$, N=6 1100: $f_{SAMPLING}=f_{DTS}/16$, N=8 1101: $f_{SAMPLING}=f_{DTS}/32$, N=5 1110: $f_{SAMPLING}=f_{DTS}/32$, N=6 1111: $f_{SAMPLING}=f_{DTS}/32$, N=8
Bit 7	STS	0x0	rw	Subordinate TMR synchronization If enabled, master and slave timer can be synchronized. 0: Disabled 1: Enabled
Bit 6: 4	STIS	0x0	rw	Subordinate TMR input selection This field is used to select the subordinate TMR input. 000: Internal selection 0 (IS0) 001: Internal selection 1 (IS1) 010: Internal selection 2 (IS2) 011: Internal selection 3 (IS3) 100: C1IRAW input detector (C1INC) 101: Filtered input 1 (C1IFP1) 110: Filtered input 2 (C2IFP2) 111: External input (EXT) Pleaser refer to Table 14-5 for more information on ISx for each timer.
Bit 3	Reserved	0x0	resd	Kept at its default value
Bit 2: 0	SMSEL	0x0	rw	Subordinate TMR mode selection 000: Slave mode is disabled 001: Encoder mode A 010: Encoder mode B 011: Encoder mode C 100: Reset mode — Rising edge of the TRGIN input reinitializes the counter 101: Suspend mode — The counter starts counting when the TRGIN is high 110: Trigger mode — A trigger event is generated at the rising edge of the TRGIN input 111: External clock mode A — Rising edge of the TRGIN input clocks the counter Note: Please refer to count mode section for the details on encoder mode A/B/C.

14.2.4.4 DMA/interrupt enable register (TMRx_IDEN)

Bit	Register	Reset value	Type	Description
Bit 15	Reserved	0x0	resd	Kept at its default value
Bit 14	TDEN	0x0	rw	Trigger DMA request enable 0: Disabled 1: Enabled
Bit 13	Reserved	0x0	resd	Kept at its default value
Bit 12	C4DEN	0x0	rw	Channel 4 DMA requestenable 0: Disabled 1: Enabled
Bit 11	C3DEN	0x0	rw	Channel 3 DMA requestenable 0: Disabled 1: Enabled.
Bit 10	C2DEN	0x0	rw	Channel 2 DMA requestenable

				0: Disabled 1: Enabled
Bit 9	C1DEN	0x0	rw	Channel 1 DMA requestenable 0: Disabled 1: Enabled
Bit 8	OVFDEN	0x0	rw	Overflow event DMA requestenable 0: Disabled 1: Enabled
Bit 7	Reserved	0x0	resd	Kept at its defaultvalue
Bit 6	TIEN	0x0	rw	Trigger interrupt enable 0: Disabled 1: Enabled
Bit 5	Reserved	0x0	resd	Kept at its defaultvalue
Bit 4	C4IEN	0x0	rw	Channel 4 interrupt enable 0: Disabled 1: Enabled
Bit 3	C3IEN	0x0	rw	Channel 3 interrupt enable 0: Disabled 1: Enabled
Bit 2	C2IEN	0x0	rw	Channel 2 interrupt enable 0: Disabled 1: Enabled
Bit 1	C1IEN	0x0	rw	Channel 1 interrupt enable 0: Disabled 1: Enabled
Bit 0	OVFIEN	0x0	rw	Overflow interrupt enable 0: Disabled 1: Enabled

14.2.4.5 Interrupt status register (TMRx_ISTS)

Bit	Register	Reset value	Type	Description
Bit 15: 13	Reserved	0x0	resd	Kept at its defaultvalue
Bit 12	C4RF	0x0	rw0c	Channel 4 recapture flag Please refer to C1RF description.
Bit 11	C3RF	0x0	rw0c	Channel 3 recapture flag Please refer to C1RF description.
Bit 10	C2RF	0x0	rw0c	Channel 2 recapture flag Please refer to C1RF description.
Bit 9	C1RF	0x0	rw0c	Channel 1 recapture flag This bit indicates whether a recapture is detected when C1IF=1. This bit is set by hardware, and cleared by writing "0". 0: No capture is detected 1: Capture is detected.
Bit 8: 7	Reserved	0x0	resd	Kept at its defaultvalue
Bit 6	TRGIF	0x0	rw0c	Trigger interrupt flag This bit is set by hardware on a trigger event. It is cleared by writing "0". 0: No trigger event occurs 1: Trigger event is generated. Trigger event: an active edge is detected on TRGIN input, or any edge in suspend mode.
Bit 5	Reserved	0x0	resd	Kept at its defaultvalue

Bit 4	C4IF	0x0	rw0c	Channel 4 interrupt flag Please refer to C1IF description.
Bit 3	C3IF	0x0	rw0c	Channel 3 interrupt flag Please refer to C1IF description.
Bit 2	C2IF	0x0	rw0c	Channel 2 interrupt flag Please refer to C1IF description.
Bit 1	C1IF	0x0	rw0c	Channel 1 interrupt flag If the channel 1 is configured as input mode: This bit is set by hardware on a capture event. It is cleared by software or read access to the TMRx_C1DT 0: No capture event occurs 1: Capture event is generated If the channel 1 is configured as output mode: This bit is set by hardware on a compare event. It is cleared by software. 0: No compare event occurs 1: Compare event is generated
Bit 0	OVFIF	0x0	rw0c	Overflow interrupt flag This bit is set by hardware on an overflow event. It is cleared by software. 0: No overflow event occurs 1: Overflow event is generated. If OVFE=0 and OVFS=0 in the TMRx_CTRL1 register: – An overflow event is generated when OVFG= 1 in the TMRx_SWEVE register; – An overflow event is generated when the counter CVAL is reinitialized by a trigger event.

14.2.4.6 Software event register (TMRx_SWEVT)

Bit	Register	Reset value	Type	Description
Bit 15: 7	Reserved	0x000	resd	Kept at its default value.
Bit 6	TRGSWTR	0x0	rw	Trigger event triggered by software This bit is set by software to generate a trigger event. 0: No effect 1: Generate a trigger event.
Bit 5	Reserved	0x0	resd	Kept at its default value.
Bit 4	C4SWTR	0x0	wo	Channel 4 event triggered by software Please refer to C1M description.
Bit 3	C3SWTR	0x0	wo	Channel 3 event triggered by software Please refer to C1M description.
Bit 2	C2SWTR	0x0	wo	Channel 2 event triggered by software Please refer to C1M description
Bit 1	C1SWTR	0x0	wo	Channel 1 event triggered by software This bit is set by software to generate a channel 1 event. 0: No effect 1: Generate a channel 1 event.
Bit 0	OVFSWTR	0x0	wo	Overflow event triggered by software This bit is set by software to generate an overflow event. 0: No effect 1: Generate an overflow event.

14.2.4.7 Channel mode register1 (TMRx_CM1)

Output compare mode:

Bit	Register	Reset value	Type	Description
Bit 15	C2OSEN	0x0	rw	Channel 2 output switch enable
Bit 14: 12	C2OCTRL	0x0	rw	Channel 2 output control
Bit 11	C2OBEN	0x0	rw	Channel 2 output buffer enable
Bit 10	C2OIEN	0x0	rw	Channel 2 output enable immediately
Channel 2 configuration				
This field is used to define the direction of the channel 2 (input or output), and the selection of input pin when C2EN='0':				
00: Output				
Bit 9: 8	C2C	0x0	rw	01: Input, C2IN is mapped on C2IFP2
10: Input, C2IN is mapped on C1IFP2				
11: Input, C2IN is mapped on STCI. This mode works only when the internal trigger input is selected by STIS register.				
Channel 1 output switch enable				
Bit 7	C1OSEN	0x0	rw	0: C1ORAW is not affected by EXT
1: Once high level is detect on EXT input, clear C1ORAW.				
Channel 1 output control				
This field defines the behavior of the original signal C1ORAW.				
000: Disconnected. C1ORAW is disconnected from C1OUT;				
001: C1ORAW is high when TMRx_CVAL=TMRx_C1DT				
010: C1ORAW is low when TMRx_CVAL=TMRx_C1DT				
011: Switch C1ORAW level when TMRx_CVAL=TMRx_C1DT				
100: C1ORAW is forced low				
101: C1ORAW is forced high.				
110: PWM mode A				
—OWCDIR=0, C1ORAW is high once TMRx_C1DT>TMRx_CVAL, else low;				
—OWCDIR=1, C1ORAW is low once TMRx_C1DT<TMRx_CVAL, else high;				
Bit 6: 4	C1OCTRL	0x0	rw	111: PWM mode B
—OWCDIR=0, C1ORAW is low once TMRx_C1DT>TMRx_CVAL, else high;				
—OWCDIR=1, C1ORAW is high once TMRx_C1DT<TMRx_CVAL, else low.				
<i>Note: In the configurations other than 000', the C1OUT is connected to C1ORAW. The C1OUT output level is not only subject to the changes of C1ORAW, but also the output polarity set by CCTRL.</i>				
Channel 1 output buffer enable				
0: Buffer function of TMRx_C1DT is disabled. The new value written to the TMRx_C1DT takes effect immediately.				
Bit 3	C1OBEN	0x0	rw	1: Buffer function of TMRx_C1DT is enabled. The value to be written to the TMRx_C1DT is stored in the buffer register, and can be sent to the TMRx_C1DT register only on an overflow event.
Channel 1 output enable immediately				
Bit 2	C1OIEN	0x0	rw	In PWM mode A or B, this bit is used to accelerate the channel 1 output's response to the trigger event.

				0: Need to compare the CVAL with C1DT before generating an output 1: No need to compare the CVAL and C1DT. An output is generated immediately when a trigger event occurs.
				Channel 1 configuration This field is used to define the direction of the channel 1 (input or output), and the selection of input pin when C1EN='0':
Bit 1: 0	C1C	0x0	rw	00: Output 01: Input, C1IN is mapped on C1IFP1 10: Input, C1IN is mapped on C2IFP1 11: Input, C1IN is mapped on STCI. This mode works only when the internal trigger input is selected by STIS.

Input capture mode:

Bit	Register	Reset value	Type	Description
Bit 15: 12	C2DF	0x0	rw	Channel 2 digital filter
Bit 11: 10	C2IDIV	0x0	rw	Channel 2 input divider
				Channel 2 configuration This field is used to define the direction of the channel 2 (input or output), and the selection of input pin when C2EN='0':
Bit 9: 8	C2C	0x0	rw	00: Output 01: Input, C2IN is mapped on C2IFP2 10: Input, C2IN is mapped on C1IFP2 11: Input, C2IN is mapped on STCI. This mode works only when the internal trigger input is selected by STIS.
				Channel 1 digital filter This field defines the digital filter of the channel 1. N stands for the number of filtering, indicating that the input edge can pass the filter only after N sampling events. 0000: No filter, sampling is done at f_{DTS} 1000: $f_{SAMPLING}=f_{DTS}/8$, N=6 0001: $f_{SAMPLING}=f_{CK_INT}$, N=2 1001: $f_{SAMPLING}=f_{DTS}/8$, N=8 0010: $f_{SAMPLING}=f_{CK_INT}$, N=4 1010: $f_{SAMPLING}=f_{DTS}/16$, N=5 0011: $f_{SAMPLING}=f_{CK_INT}$, N=8 1011: $f_{SAMPLING}=f_{DTS}/16$, N=6 0100: $f_{SAMPLING}=f_{DTS}/2$, N=6 1100: $f_{SAMPLING}=f_{DTS}/16$, N=8 0101: $f_{SAMPLING}=f_{DTS}/2$, N=8 1101: $f_{SAMPLING}=f_{DTS}/32$, N=5 0110: $f_{SAMPLING}=f_{DTS}/4$, N=6 1110: $f_{SAMPLING}=f_{DTS}/32$, N=6 0111: $f_{SAMPLING}=f_{DTS}/4$, N=8 1111: $f_{SAMPLING}=f_{DTS}/32$, N=8
Bit 7: 4	C1DF	0x0	rw	
				Channel 1 input divider This field defines Channel 1 input divider. 00: No divider. An input capture is generated at each active edge. 01: An input compare is generated every 2 active edges 10: An input compare is generated every 4 active edges 11: An input compare is generated every 8 active edges Note: the divider is reset once C1EN='0'
Bit 3: 2	C1IDIV	0x0	rw	

				Channel 1 configuration
				This field is used to define the direction of the channel 1 (input or output), and the selection of input pin when C1EN='0':
Bit 1: 0	C1C	0x0	rw	00: Output 01: Input, C1IN is mapped on C1IFP1 10: Input, C1IN is mapped on C2IFP1 11: Input, C1IN is mapped on STCI. This mode works only when the internal trigger input is selected by STIS.

14.2.4.8 Channel mode register2 (TMRx_CM2)

Output compare mode:

Bit	Register	Reset value	Type	Description
Bit 15	C4OSEN	0x0	rw	Channel 4 output switch enable
Bit 14: 12	C4OCTRL	0x0	rw	Channel 4 output control
Bit 11	C4OBEN	0x0	rw	Channel 4 output buffer enable
Bit 10	C4OIEN	0x0	rw	Channel 4 output enable immediately
				Channel 4 configuration
				This field is used to define the direction of the channel 1 (input or output), and the selection of input pin when C4EN='0':
Bit 9: 8	C4C	0x0	rw	00: Output 01: Input, C4IN is mapped on C4IFP4 10: Input, C4IN is mapped on C3IFP4 11: Input, C4IN is mapped on STCI. This mode works only when the internal trigger input is selected by STIS.
Bit 7	C3OSEN	0x0	rw	Channel 3 output switch enable
Bit 6: 4	C3OCTRL	0x0	rw	Channel 3 output control
Bit 3	C3OBEN	0x0	rw	Channel 3 output buffer enable
Bit 2	C3OIEN	0x0	rw	Channel 3 output enable immediately
				Channel 3 configuration
				This field is used to define the direction of the channel 1 (input or output), and the selection of input pin when C3EN='0':
Bit 1: 0	C3C	0x0	rw	00: Output 01: Input, C3IN is mapped on C3IFP3 10: Input, C3IN is mapped on C4IFP3 11: Input, C3IN is mapped on STCI. This mode works only when the internal trigger input is selected by STIS.

Input capture mode:

Bit	Register	Reset value	Type	Description
Bit 15: 12	C4DF	0x0	rw	Channel 4 digital filter
Bit 11: 10	C4IDIV	0x0	rw	Channel 4 input divider
				Channel 4 configuration
				This field is used to define the direction of the channel 1 (input or output), and the selection of input pin when C4EN='0':
Bit 9: 8	C4C	0x0	rw	00: Output 01: Input, C4IN is mapped on C4IFP4 10: Input, C4IN is mapped on C3IFP4 11: Input, C4IN is mapped on STCI. This mode works only when the internal trigger input is selected by STIS.
Bit 7: 4	C3DF	0x0	rw	Channel 3 digital filter
Bit 3: 2	C3IDIV	0x0	rw	Channel 3 input divider
Bit 1: 0	C3C	0x0	rw	Channel 3 configuration

This field is used to define the direction of the channel 1 (input or output), and the selection of input pin when C3EN=0':
 00: Output
 01: Input, C3IN is mapped on C3IFP3
 10: Input, C3IN is mapped on C4IFP3
 11: Input, C3IN is mapped on STCI. This mode works only when the internal trigger input is selected by STIS.

14.2.4.9 Channel control register (TMRx_CTRL)

Bit	Register	Reset value	Type	Description
Bit 15: 14	Reserved	0x0	resd	Kept at its default value.
Bit 13	C4P	0x0	rw	Channel 4 polarity Pleaser refer to C1P description.
Bit 12	C4EN	0x0	rw	Channel 4 enable Pleaser refer to C1EN description.
Bit 11: 10	Reserved	0x0	resd	Default value
Bit 9	C3P	0x0	rw	Channel 3 polarity Pleaser refer to C1P description.
Bit 8	C3EN	0x0	rw	Channel 3 enable Pleaser refer to C1EN description.
Bit 7: 6	Reserved	0x0	resd	Kept at its default value.
Bit 5	C2P	0x0	rw	Channel 2 polarity Pleaser refer to C1P description.
Bit 4	C2EN	0x0	rw	Channel 2 enable Pleaser refer to C1EN description.
Bit 3: 2	Reserved	0x0	resd	Kept at its default value.
Bit 1	C1P	0x0	rw	Channel 1 polarity When the channel 1 is configured as output mode: 0: C1OUT is active high 1: C1OUT is active low When the channel 1 is configured as input mode: 0: C1IN active edge is on its rising edge. When used as external trigger, C1IN is not inverted. 1: C1IN active edge is on its falling edge. When used as external trigger, C1IN is inverted.
Bit0	C1EN	0x0	rw	Channel 1 enable 0: Input or output is disabled 1: Input or output is enabled

Table 14-6 Standard CxOUT channel output control bit

CxEN bit	CxOUT output state
0	Output disabled (CxOUT=0, Cx_EN=0)
1	CxOUT = CxORAW + polarity, Cx_EN=1

Note: The state of the external I/O pins connected to the standard CxOUT channel depends on the CxOUT channel state and the GPIO and IOMUX registers.

14.2.4.10 Counter value (TMRx_CVAL)

Bit	Register	Reset value	Type	Description
Bit 31: 16	CVAL	0x0000	rw	Counter value When TMR2 or TMR5 enables plus mode (the PMEN bit in the TMR_CTRL1 register), the CVAL is expanded to 32 bits.
Bit 15: 0	CVAL	0x0000	rw	Counter value

14.2.4.11 Division value (TMRx_DIV)

Bit	Register	Reset value	Type	Description
Bit 15: 0	DIV	0x0000	rw	Divider value The counter clock frequency $f_{CK_CNT} = f_{TMR_CLK} / (DIV[15:0] + 1)$. DIV contains the value written at an overflow event.

14.2.4.12 Period register (TMRx_PR)

Bit	Register	Reset value	Type	Description
Bit 31: 16	PR	0x0000	rw	Period value When TMR2 or TMR5 enables plus mode (the PMEN bit in the TMR_CTRL1 register), the PR is expanded to 32 bits.
Bit 15: 0	PR	0x0000	rw	Period value This defines the period value of the TMRx counter. The timer stops working when the period value is 0.

14.2.4.13 Channel 1 data register (TMRx_C1DT)

Bit	Register	Reset value	Type	Description
Bit 31: 16	C1DT	0x0000	rw	Channel 1 data register When TMR2 or TMR5 enables plus mode (the PMEN bit in the TMR_CTRL1 register), the C1DT is expanded to 32 bits.
Bit 15: 0	C1DT	0x0000	rw	Channel 1 data register When the channel 1 is configured as input mode: The C1DT is the CVAL value stored by the last channel 1 input event (C1IN) When the channel 1 is configured as output mode: C1DT is the value to be compared with the CVAL value. Whether the written value takes effective immediately depends on the C1OBEN bit, and the corresponding output is generated on C1OUT as configured.

14.2.4.14 Channel 2 data register (TMRx_C2DT)

Bit	Register	Reset value	Type	Description
Bit 31: 16	C2DT	0x0000	rw	Channel 2 data register When TMR2 or TMR5 enables plus mode (the PMEN bit in the TMR_CTRL1 register), the C2DT is expanded to 32 bits.
Bit 15: 0	C2DT	0x0000	rw	Channel 2 data register When the channel 2 is configured as input mode: The C2DT is the CVAL value stored by the last channel 2 input event (C1IN) When the channel 2 is configured as output mode: C2DT is the value to be compared with the CVAL value. Whether the written value takes effective immediately depends on the C2OBEN bit, and the corresponding output is generated on C2OUT as configured.

14.2.4.15 Channel 3 data register (TMRx_C3DT)

Bit	Register	Reset value	Type	Description
Bit 31: 16	C3DT	0x0000	rw	Channel 3 data register When TMR2 or TMR5 enables plus mode (the PMEN bit in the TMR_CTRL1 register), the C3DT is expanded to 32 bits.
Bit 15: 0	C3DT	0x0000	rw	Channel 3 data register When the channel 3 is configured as input mode: The C3DT is the CVAL value stored by the last channel 3 input event (C1IN) When the channel 3 is configured as output mode: C3DT is the value to be compared with the CVAL value. Whether the written value takes effective immediately depends on the C3OBEN bit, and the corresponding output is generated on C3OUT as configured.

14.2.4.16 Channel 4 data register (TMRx_C4DT)

Bit	Register	Reset value	Type	Description
Bit 31: 16	C4DT	0x0000	rw	Channel 4 data register When TMR2 or TMR5 enables plus mode (the PMEN bit in the TMR_CTRL1 register), the C4DT is expanded to 32 bits.
Bit 15: 0	C4DT	0x0000	rw	Channel 4 data register When the channel 4 is configured as input mode: The C4DT is the CVAL value stored by the last channel 4 input event (C1IN) When the channel 4 is configured as output mode: C4DT is the value to be compared with the CVAL value. Whether the written value takes effective immediately depends on the C4OBEN bit, and the corresponding output is generated on C4OUT as configured.

14.2.4.17 DMA control register (TMRx_DMACTRL)

Bit	Register	Reset value	Type	Description
Bit 15: 13	Reserved	0x0	resd	Kept at its default value.
Bit 12: 8	DTB	0x00	rw	DMA transfer bytes This field defines the number of DMA transfers: 00000: 1 byte 00001: 2 bytes 00010: 3 bytes 00011: 4 bytes 10000: 17 bytes 10001: 18 bytes
Bit 7: 5	Reserved	0x0	resd	Kept at its default value.
Bit 4: 0	ADDR	0x00	rw	DMA transfer address offset ADDR is defined as an offset starting from the address of the TMRx_CTRL1 register. 00000: TMRx_CTRL1, 00001: TMRx_CTRL2, 00010: TMRx_STCTRL,

14.2.4.18 DMA data register (TMRx_DMADT)

Bit	Register	Reset value	Type	Description
Bit 15:0	DMADT	0x0000	rw	<p>DMA data register</p> <p>A read or write operation to the DMADT register accesses the TMR registers at the following address: TMRx peripheral address + ADDR*4 to TMRx peripheral address + ADDR*4 + DTB*4.</p>

14.3 General-purpose timer (TMR9 to TMR14)

14.3.1 TMRx introduction

The general-purpose timer (TMR9 to TMR14) consists of a 16-bit counter supporting upcounting mode. These timers can be synchronized.

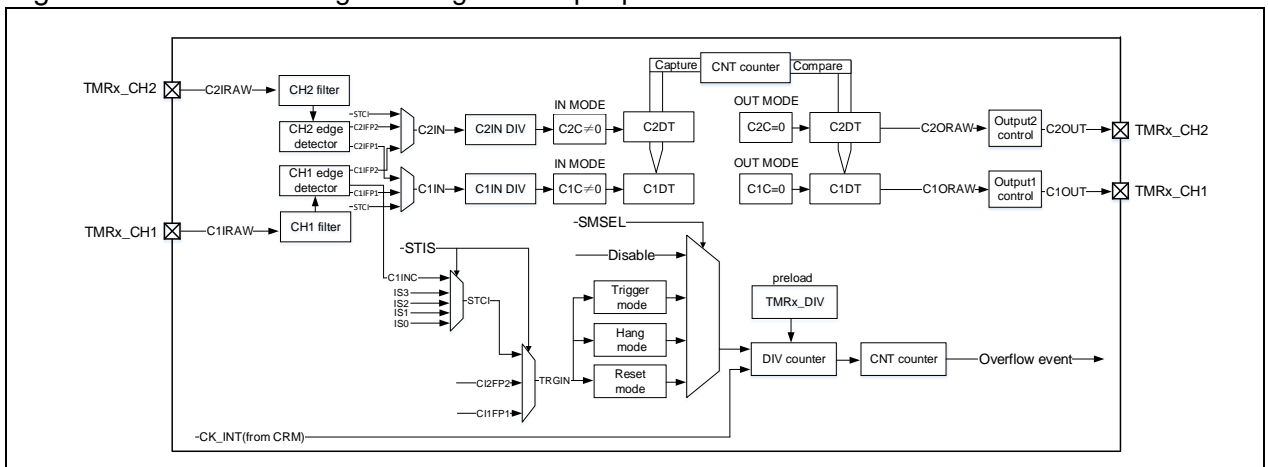
14.3.2 TMRx main features

14.3.2.1 TMR9 and TMR12 main features

The main functions of general-purpose TMR9 and TMR12 include:

- Source of counter clock: internal clock and external clock
- 16-bit up counter
- 2 independent channels for input capture, output compare, PWM generation and one-pulse mode output
- Synchronization control between master and slave timers
- Interrupt is generated at overflow event, trigger event and channel event

Figure 14-38 Block diagram of general-purpose TMR9/12

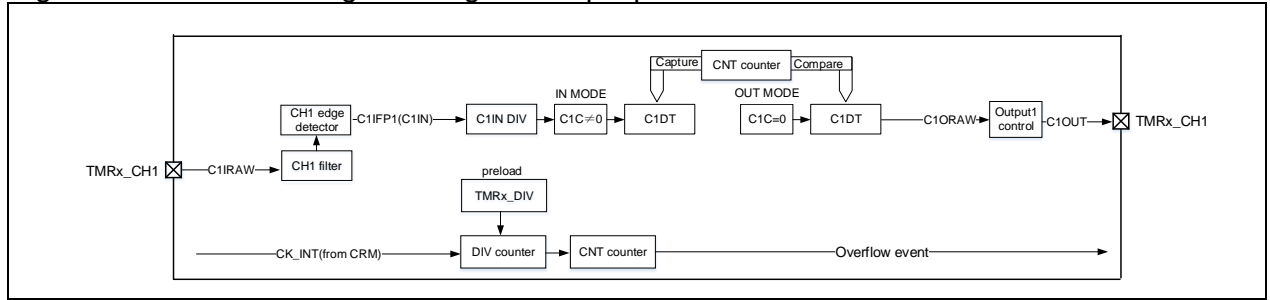


14.3.2.2 TMR10, TMR11, TMR13 and TMR14 main features

The main functions of general-purpose TMRx (TMR10, TMR11, TMR13 and TMR14) include:

- Source of counter clock: internal clock
- 16-bit up counter
- 1 independent channel for input capture, output compare, PWM generation
- Synchronization control between master and slave timers
- Interrupt is generated at overflow event and channel event

Figure 14-39 Block diagram of general-purpose TMR10/11/13/14

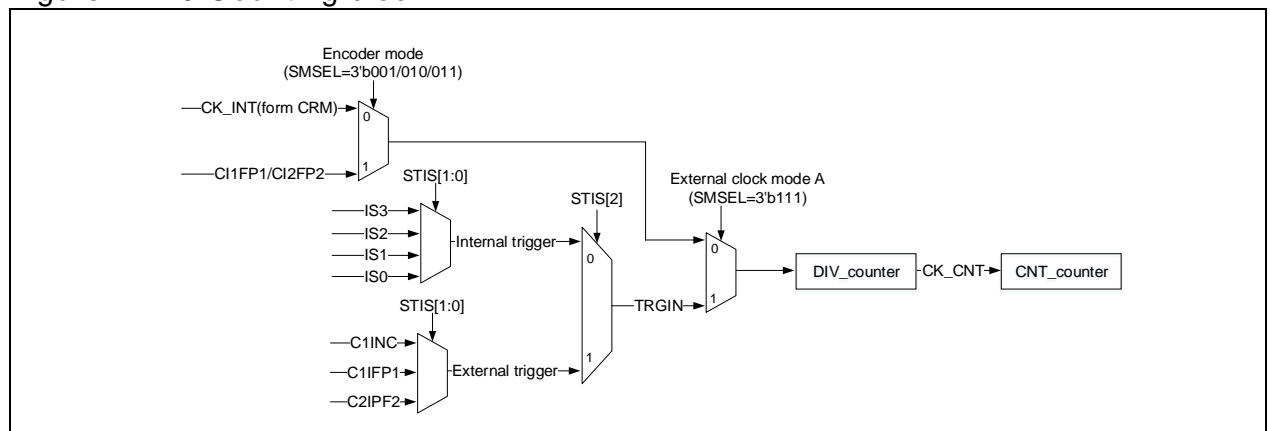


14.3.3 TMRx functional overview

14.3.3.1 Counting clock

The count clock of general-purpose timers can be provided by the internal clock (CK_INT), external clock (external clock mode A) and internal trigger input (ISx)

Figure 14-40 Counting clock

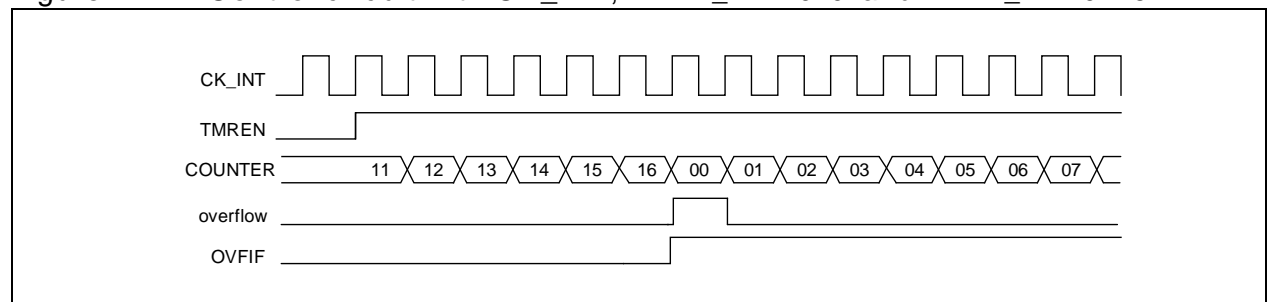


Internal clock (CK_INT)

By default, the CK_INT divided by the prescaler is used to drive the counter to start counting.

- Set counting frequency through TMRx_DIV register
- Set counting cycles through TMRx_PR register
- Enable a counter by setting the TMREN bit in the TMRx_CTRL1 register

Figure 14-41 Control circuit with CK_INT, TMRx_DIV=0x0 and TMRx_PR=0x16



External clock (TMR9/12 only)

The counter clock can be provided by TRGIN signal.

SMSEL=3'b111: External clock mode A is selected. Select an external clock source TRGIN signal by setting the STIS[2: 0] bit to drive the counter to start counting.

The external clock sources include: C1INC (STIS=3'b100, channel 1 rising edge and falling edge), C1IFP1 (STIS=3'b101, the channel 1 signal with filtering and polarity selection) and C2IFP2 (STIS=3'b110, a channel 2 signal with filtering and polarity selection).

To use external clock mode A, follow the steps below:

- Set external source TRGIN parameters

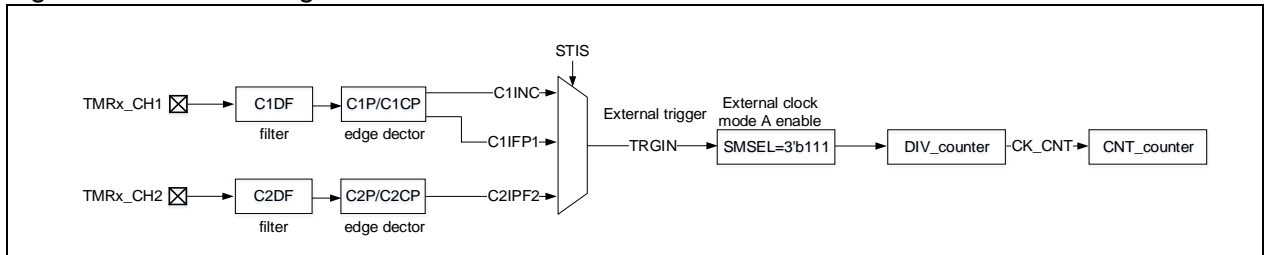
If the TMRx_CH1 is used as a source of TRGIN, it is necessary to configure channel 1 input filter

(C1DF[3:0] in TMRx_CM1 register) and channel 1 input polarity (C1P/C1CP in TMRx_CCTRL register);

If the TMRx_CH2 is used as source of TRGIN, it is necessary to configure channel 1 input filter (C2DF[3:0] in TMRx_CM1 register) and channel 2 input polarity (C2P/C2CP in TMRx_CCTR register);

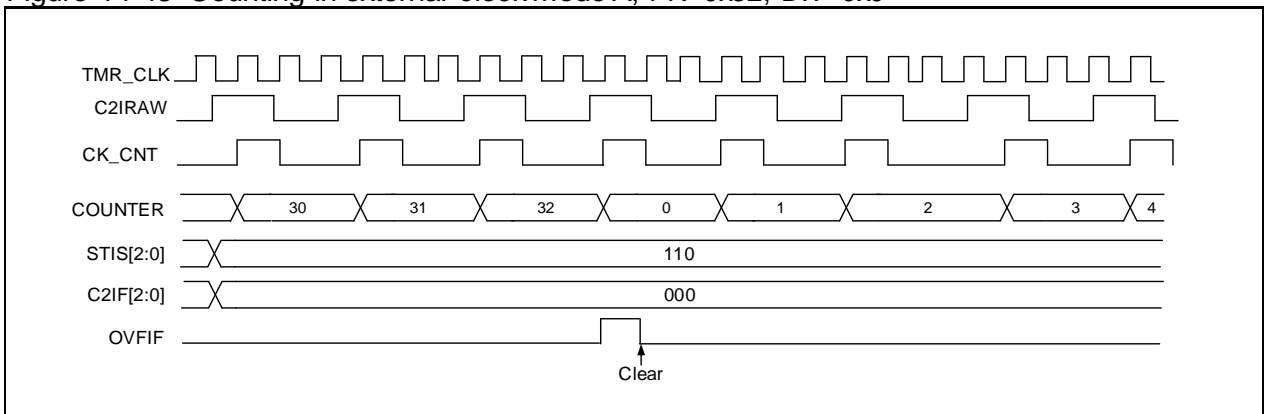
- Set TRGIN signal source using the STIS[1:0] bit in TMRx_STCTRL register
- Enable external clock mode A by setting SMSEL=3'b111 in TMRx_STCTR register
- Set counting frequency through the DIV[15:0] in TMRx_DIV register
- Set counting period through the PR[15:0] in TMRx_PR register
- Enable counter through the TMREN bit in TMRx_CTRL1 register

Figure 14-42 Block diagram of external clock mode A



Note: The delay between the signal on the input side and the actual clock of the counter is due to the synchronization circuit.

Figure 14-43 Counting in external clock mode A, PR=0x32, DIV=0x0



Internal trigger input (ISx)

Timer synchronization allows interconnection between several timers. The TMR_CLK of one timer can be provided by the TRGOUT signal output by another timer. Set the STIS[2: 0] bit to select internal trigger signal to enable counting.

Each timer consists of a 16-bit prescaler, which is used to generate the CK_CNT that enables the counter to count. The frequency division relationship between the CK_CNT and TMR_CLK can be adjusted by setting the value of the TMRx_DIV register. The prescaler value can be modified at any time, but it takes effect only when the next overflow event occurs.

Below is the configuration procedure for internal trigger input:

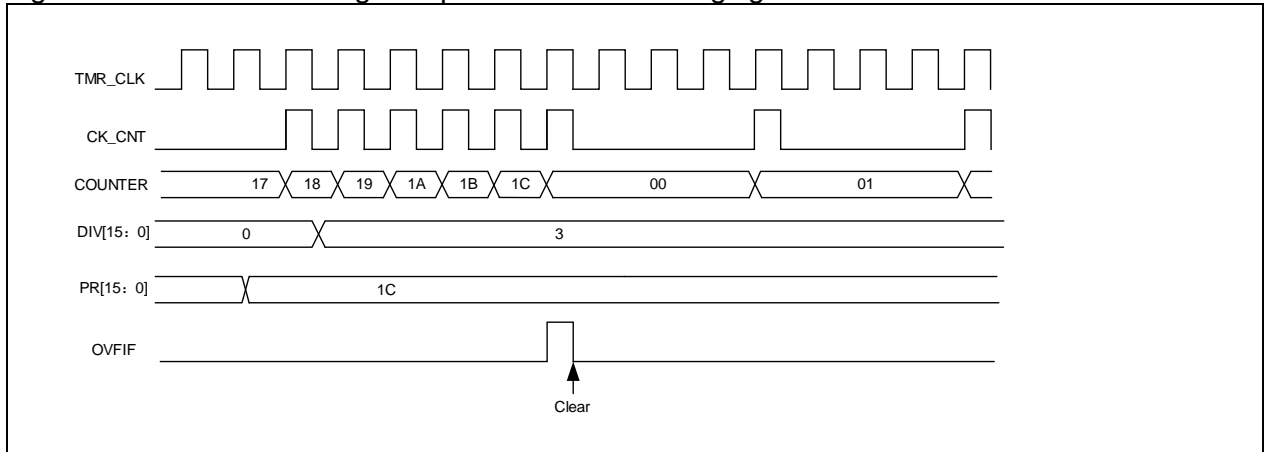
- Set counting cycles through TMRx_PR register
- Set counting frequency through TMRx_DIV register
- Set counting modes through the TWCMSEL[1:0] in TMRx_CTRL1 register
- Select internal trigger by setting STIS[2:0]= 3'b000~3'b011 in TMRx_STCTRL register
- Select external clock mode A by setting SMSEL[2:0]=3'b111 in TMRx_STCTRL register
- Enable TMRx to start counting through the TMREN in TMRx_CTRL1 register

Table 14-7 TMRx internal trigger connection

Slave controller	IS0 (STIS=000)	IS1 (STIS = 001)	IS2 (STIS = 010)	IS3 (STIS = 011)
TMR9	TMR2_TRGOUT	TMR3_TRGOUT	TMR10_OC	TMR11_OC
TMR12	TMR4_TRGOUT	TMR5_TRGOUT	TMR13_OC	TMR14_OC

Note: If there is no corresponding timer in a device, the corresponding trigger signal ISx is not present.

Figure 14-44 Counter timing with prescaler value changing from 1 to 4



14.3.3.2 Counting mode

The general-purpose timer consists of a 16-bit counter supporting upcounting mode only.

The TMRx_PR register is used to define counting period of counter. The value in the TMRx_PR is immediately moved to the shadow register by default. When the periodic buffer is enabled (PRBEN=1), the value in the TMRx_PR register is transferred to the shadow register only at an overflow event.

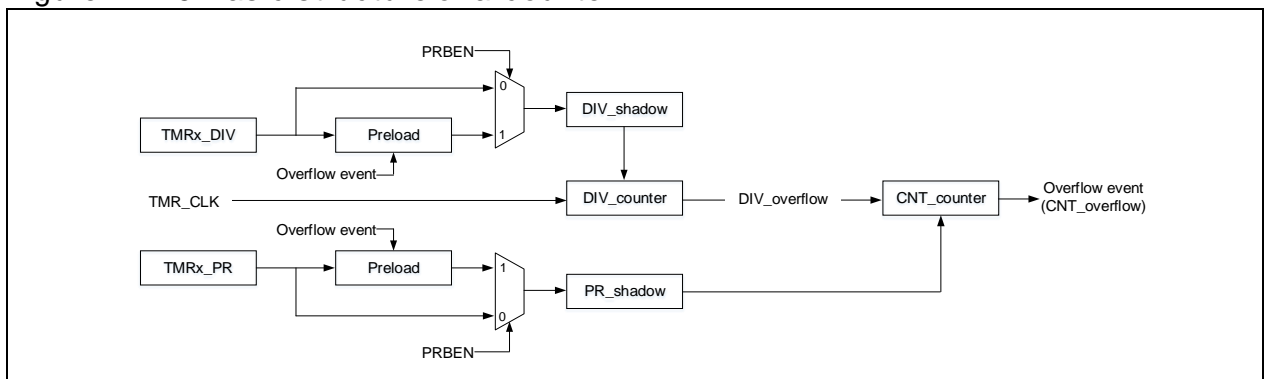
TMRx_DIV register is used to define the counter frequency of the counter. The counter counts once every DIV[15:0]+1 clock cycle. Similar to TMRx_PR register, after enabling periodic buffer, the value of the TMRx_DIV register are transferred into the shadow register at each overflow event.

Reading the TMRx_CNT register returns the current counter value. Writing the TMRx_CNT register will update the current counter value.

An overflow event is enabled by default. It can be disabled by setting OVFEN=1 in the TMRx_CTRL1 register. The OVFS bit in the TMRx_CTRL1 register is used to select the source of an overflow event, which is, by default, counter overflow or underflow, setting OVFSWTR, reset signal generated by slave mode timer controller in reset mode. Once the OVFS is set, an overflow event is generated only when overflow or underflow occurs.

Setting the TMREN bit (TMREN=1) enables the timer to start counting. Base on synchronization logic, however, the actual enable signal TMR_EN is set 1 clock cycle after the TMREN is set.

Figure 14-45 Basic structure of a counter



Upcounting mode

In upcounting mode, the counter counts from 0 to the value programmed in the TMRx_PR register, then restarts from 0, and generates a counter overflow event, with setting OVFIF=1. If the overflow event is

disabled, the counter is no longer reloaded with the prescaler value and period value at a counter overflow event, otherwise, the counter is updated with the prescaler value and period value on an overflow event.

Figure 14-46 Overflow event when PRBEN=0

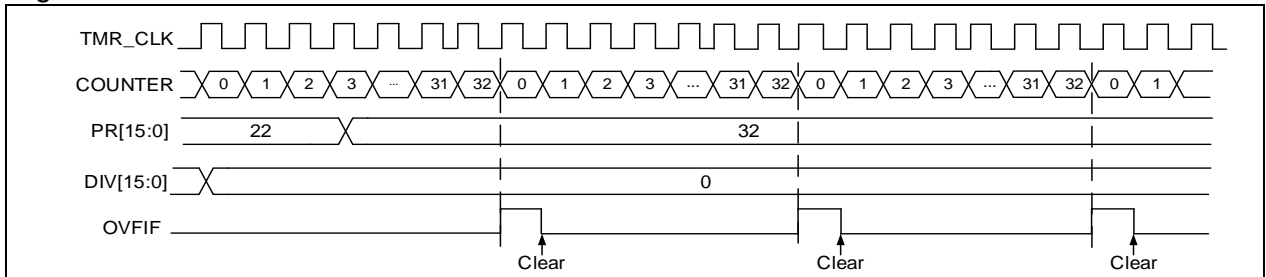
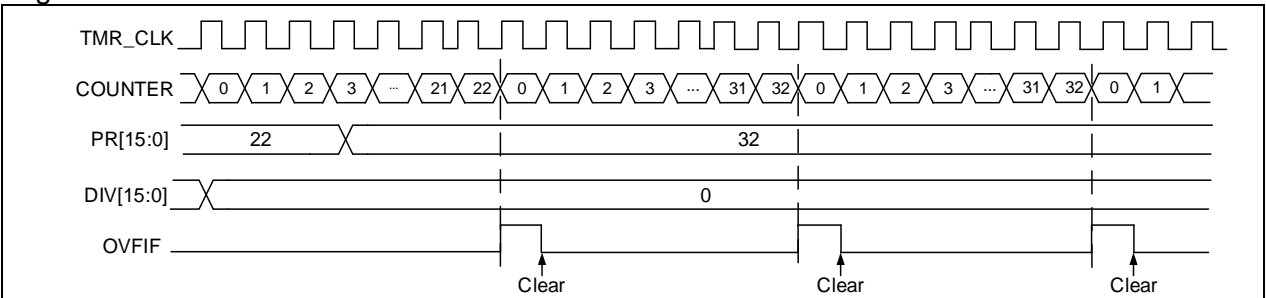


Figure 14-47 Overflow event when PRBEN=1



14.3.3.3 TMR input function

Each timer of TMR9 and TMR12 has two independent channels, while each of TMR10, TMR11, TMR13 and TMR14 has an independent channel. Each channel can be configured as input or output. As input, each channel input is handle as follows:

1. TMRx_CHx outputs CxIRAW after being preprocessed. Select the TMRx_CHx for CxIRAW through the C1INSEL bit
2. CxIRAW inputs digital filter and outputs filtered CxIF signal. The digital filter uses the CxDF bit to program sampling frequency and sampling times.
3. CxIF inputs edge detector, and outputs the CxIFPx signal after edge selection. The edge selection depends on both CxP and CxCP bits. It is possible to select input rising edge, falling edge or both edges.
4. CxIFPx inputs capture signal selector, and outputs the CxIN signal after capture signal selection. The capture signal selection is defined by CxC bits. It is possible to select CxIFPx, CyIFPx or STCI as CxIN source. Of those, CyIFPx ($x \neq y$) is the CyIFPy signal that is from Y channel and processed by channel-x edge detector (For example, the C1IFP2 is the Channle 1's C1IFP1 signal that passed through channel 2 edge detection). The STCI comes from slave timer controller, and its source is selected by STIS bit. For a single channel TMR, only CxIFPx can be selected as the source of CxIN.
5. CxIN outputs the CxIPS signal that is divided by input channel divider. The divider factor can be defined as No division, /2, /4 or /8, by the CxDIV bit. It can be used for filtering, selection, division and input capture of input signals.

Figure 14-48 Input/output channel 1 main circuit

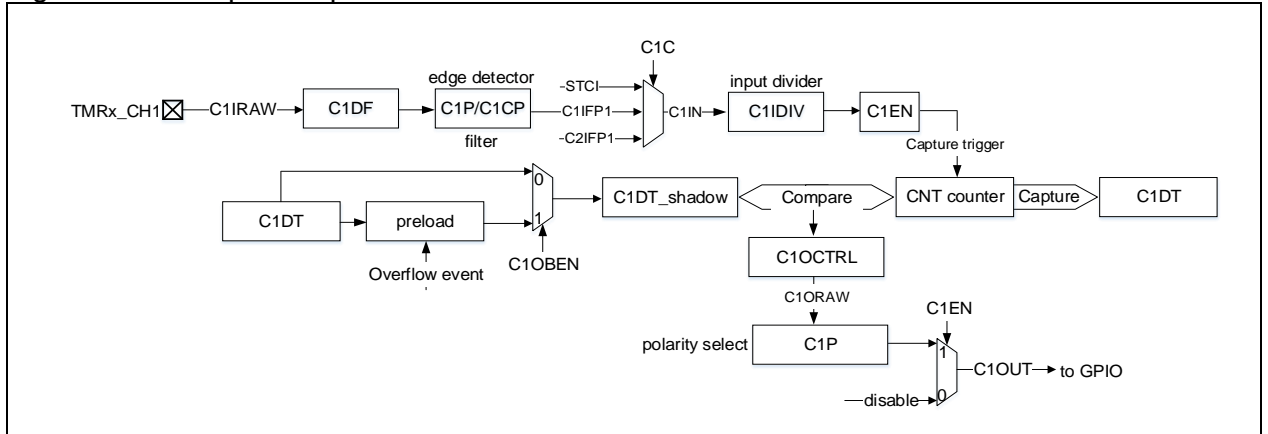
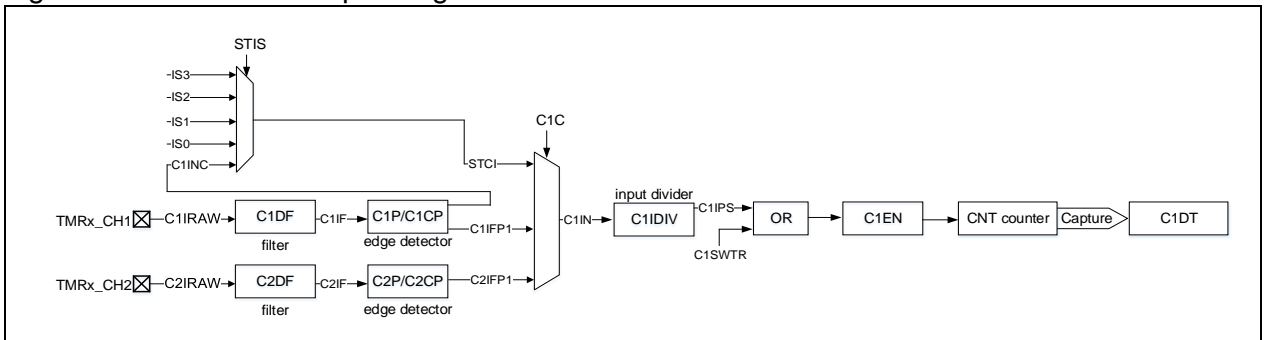


Figure 14-49 Channel 1 input stage



Input capture mode

In input mode, the TMRx_CxDT registers latch the current counter values after the selected trigger signal is detected, and the capture compare interrupt flag bit (CxIF) is set to 1. An interrupt will be generated if the CxEN bit is enabled. If the selected trigger signal is detected when CxIF=1, the CxRF is set to 1.

To capture the rising edge of C1IN input, following the configuration procedure mentioned below:

- Set C1C=01 in the TMRx_CM1 register to select the C1IN as channel 1 input
- Set the filter bandwidth of C1IN signal (CxDF[3: 0])
- Set the active edge on the C1IN channel by writing C1P=0 (rising edge) in the TMRx_CCTR register
- Program C1IN signal capture frequency divider (C1DIV[1: 0])
- Enable channel 1 input capture (C1EN=1)
- If needed, enable the relevant interrupt by setting the C1IEN bit in the TMRx_IDEN register

PWM input (TMR10/11/13/14 only)

PWM input mode is applied to channel 1 and 2. To use this mode, both C1IN and C2IN are mapped on the same TMRx_CHx, and the CxIFPx of either channel 1 or channel 2 must be configured as trigger input and slave mode controller is configured in reset mode.

The PWM input mode can be used to measure the period and duty cycle of the PWM input signal. For example, the user can measure the period and duty cycle of the PWM applied on channel 1 using the following procedures:

- Set C1C=2'b01: select C1IN for C1IFP1
- Set C1P=1'b0, select C1IFP1 rising edge active
- Set C2C=2'b10, select C2IN for C1IFP2
- Set C2P=1'b1, select C1IFP2 falling edge active
- Set STIS=3'b101, select the slave mode timer trigger signal as C1IFP1
- Set SMSEL=3'b110: configure the slave mode controller in reset mode
- Set C1EN=1'b1 and C2EN=1'b1. Enable channel 1 and input capture

After above configuration, the rising edge of channel 1 input signal will trigger the capture and stores the capture value into C1DT register, and it will reset the counter at the same time. The falling edge of the channel 1 input signal triggers the capture and stores the capture value into C2DT register. The period of the channel 1 input signal is calculated through C1DT, and its duty cycle through C2DT.

Figure 14-50 PWM input mode configuration example

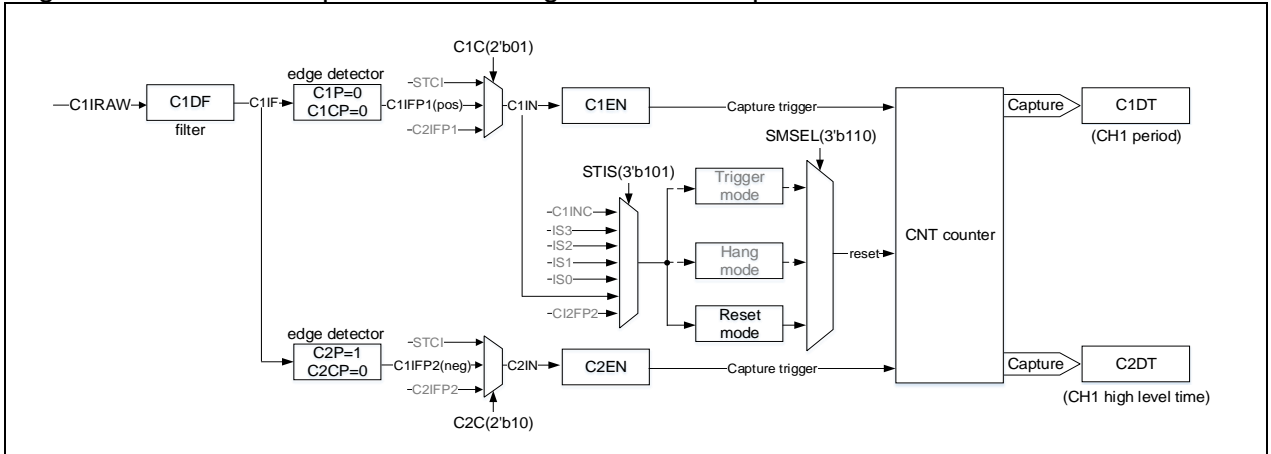
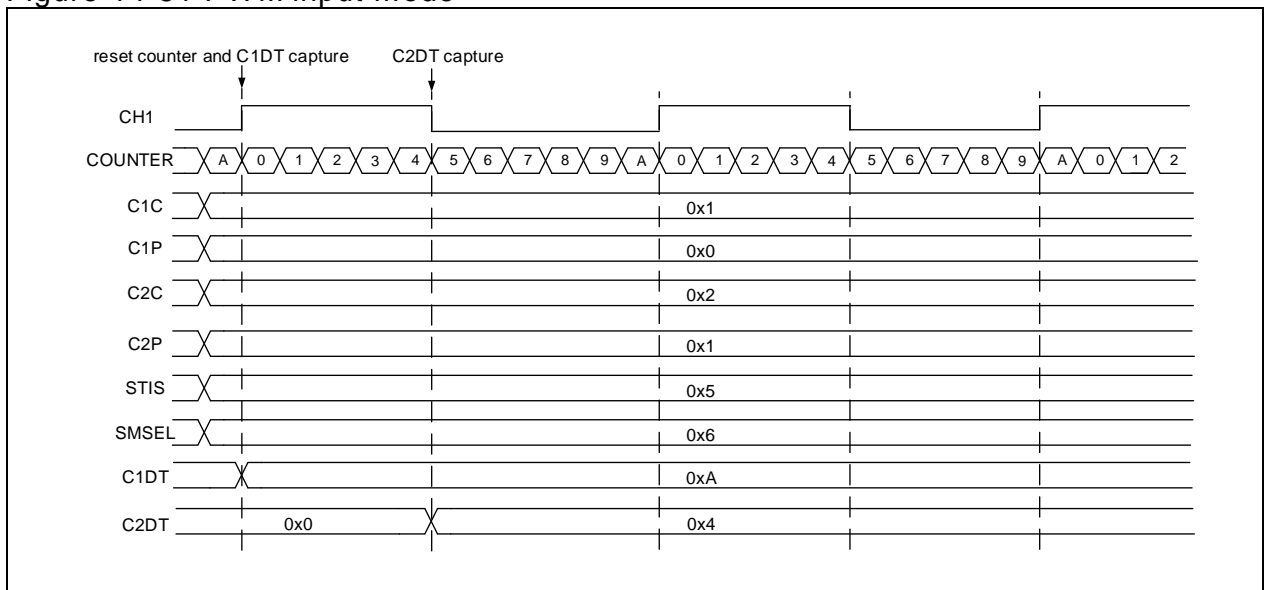


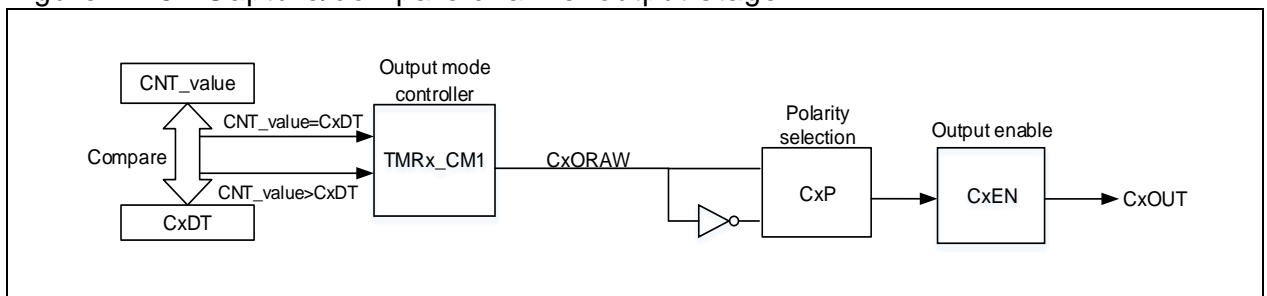
Figure 14-51 PWM input mode



14.3.3.4 TMR output function

The TMR output consists of a comparator and an output controller. It is used to program the period, duty cycle and polarity of the output signal.

Figure 14-52 Capture/compare channel output stage



Output mode

Write $CxC[1:0] \neq 2'b00$ to configure the channel as output to implement multiple output modes. In this case, the counter value is compared with the value in the $TMRx_CxDT$ register, and the intermediate signal $CxORAW$ is generated according to the output mode selected by $CxOCTRL[2:0]$, which is sent to IO after being processed by the output control circuit. The period of the output signal is configured by the $TMRx_PR$ register, while the duty cycle by the $TMRx_CxDT$ register.

Output compare modes include:

PWM mode A:

Enable PWM mode A by setting $CxOCTRL=3'b110$. In upcounting mode, $C1ORAW$ outputs high

when $TMRx_C1DT > TMRx_CVAL$, otherwise, it is low; In downcounting mode, C1ORAW outputs low when $TMRx_C1DT < TMRx_CVAL$, otherwise, it is high.

To use PWM mode A, the following procedures are recommended:

- Set PWM periods through TMRx_PR register
- Set PWM duty cycles through TMRx_CxD
- Select PWM mode A by setting CxOCTRL=3'b110 in the TMRx_CM1/CM2 register
- Set counting frequency through TMRx_DIV register
- Select counting mode by setting the TWCMSEL[1:0] bit in the TMRx_CTRL1 register
- Select output polarity through the CxP and CxCP bits in the TMRx_CCTRL register
- Enable channel output through the CxEN and CxCEN bits in the TMRx_CCTRL register
- Enable TMRx output through the OEN bit in the TMRx_BRK register
- Configure GPIOs corresponding to TMR output channels as multiplexed mode
- Enable TMRx to start counting through the TMREN bit in the TMRx_CTRL1 register.

PWM mode B:

Enable PWM mode B by setting CxOCTRL=3'b111. In upcounting mode, C1ORAW outputs low when $TMRx_C1DT > TMRx_CVAL$, otherwise, it is high; In downcounting mode, C1ORAW outputs high when $TMRx_C1DT < TMRx_CVAL$, otherwise, it is low.

Forced output mode:

Enable forced output mode by setting CxOCTRL=3'b100/101. In this case, the CxORAW is forced to be the programmed level, regardless of the counter value. Despite this, the channel flag bit and DMA request still depend on the compare result.

Output compare mode:

Enable output compare mode by setting CxOCTRL=3'b001/010/011. In this case, when the counter value matches the value of the CxDT register, the CxORAW is forced high (CxOCTRL=3'b001), low (CxOCTRL=3'b010) or toggling (CxOCTRL=3'b011).

One-pulse mode (TMR9/12 only):

This is a particular case of PWM mode. Enable one-pulse by setting OCMEN=1. In this mode, the comparison match is performed in the current counting period. The TMREN bit is cleared as soon as the current counting is completed. Therefore, only one pulse is output. When in upcounting mode, the configuration must follow the rule: $CVAL < CxDT \leq PR$; in downcounting mode, $CVAL > CxDT$ is required.

Fast output mode (TMR9/12 only):

Enable this mode by setting CxOIEN=1. If enabled, the CxORAW signal will not change when the counter value matches the CxDT, but change at the beginning of the current counting period. In other words, the comparison result is advanced, so the comparison result between the counter value and the TMRx_CxDT register will determine the level of CxORAW in advance.

Figure 14-53 gives an example of output compare mode (toggle) with $C1DT=0x3$. When the counter value is equal to $0x3$, C1OUT toggles.

Figure 14-54 gives an example of the combination between upcounting mode and PWM mode A. The output signal behaves when $PR=0x32$ but CxDT is configured with a different value.

Figure 14-55 gives an example of the combination between upcounting mode and one-pulse PWM mode B. The counter only counts only one cycle, and the output signal sends only one pulse.

Figure 14-53 C1ORAW toggles when counter value matches the C1DT value

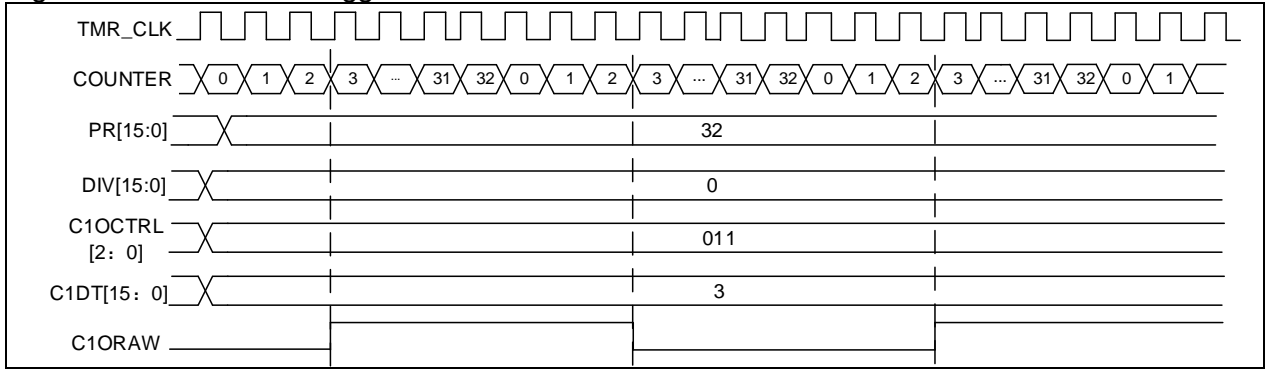


Figure 14-54 Upcounting mode and PWM mode A

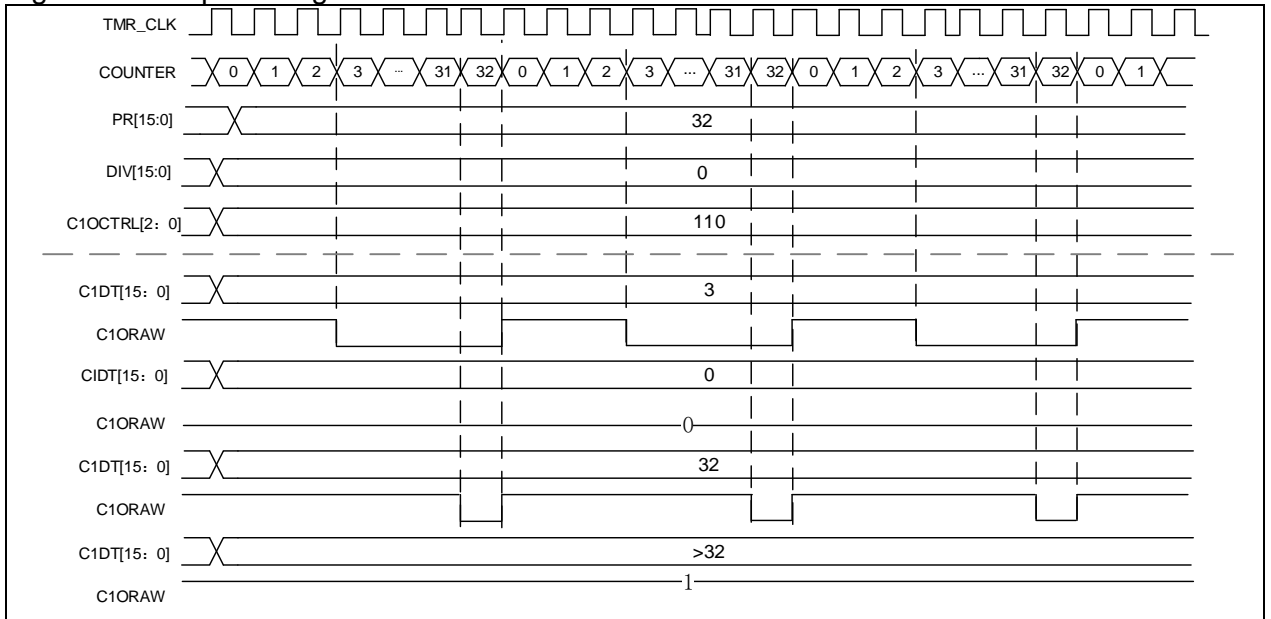
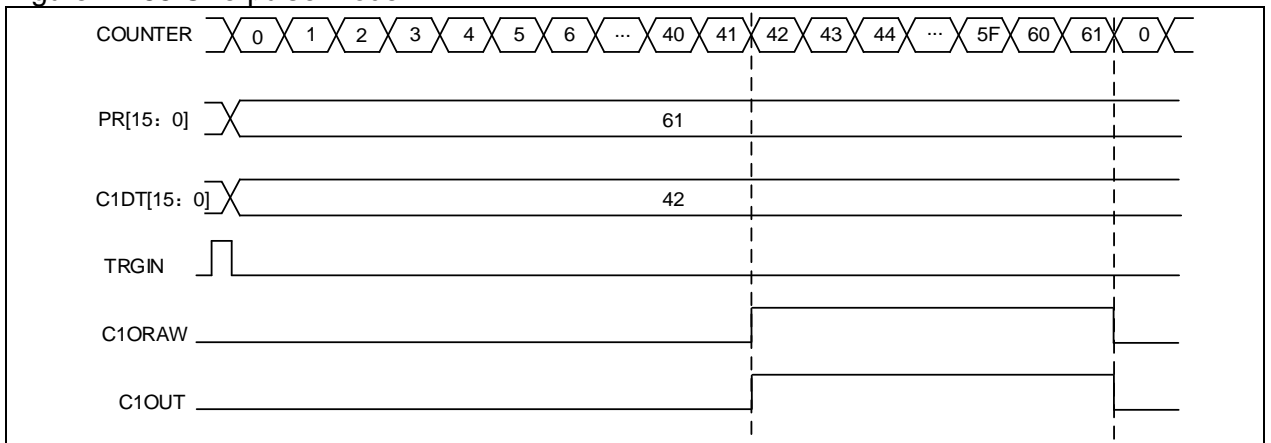


Figure 14-55 One-pulse mode



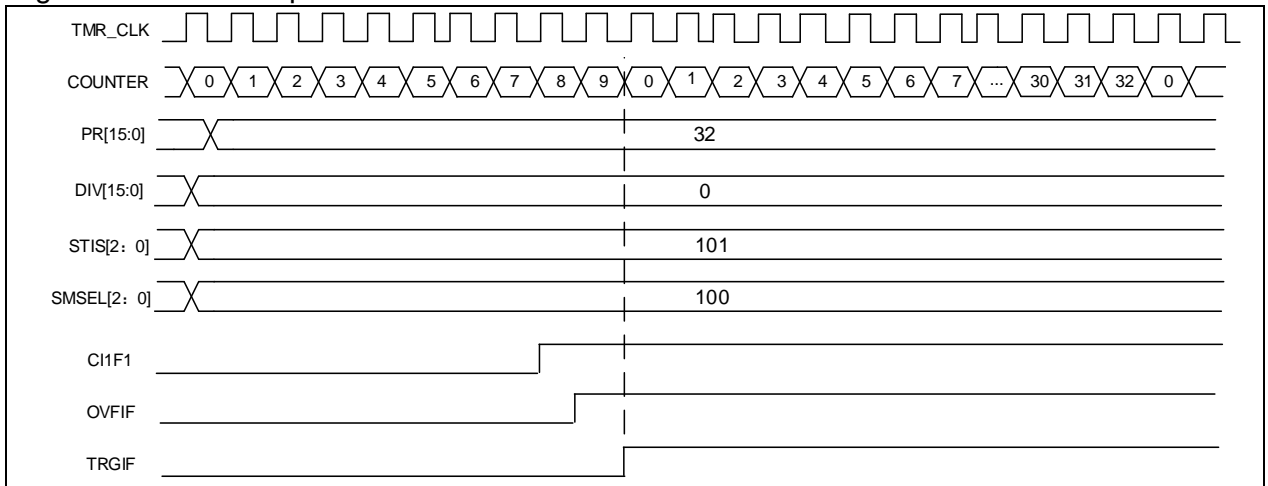
14.3.3.5 TMR synchronization

TMR9 and TMR12 are linked together internally for timer synchronization. Slave timer is selected by setting the SMSEL[2: 0] bit.

Slave mode: Reset mode

The counter and its prescaler can be reset by a selected trigger signal. An overflow event is generated when OVFS=0.

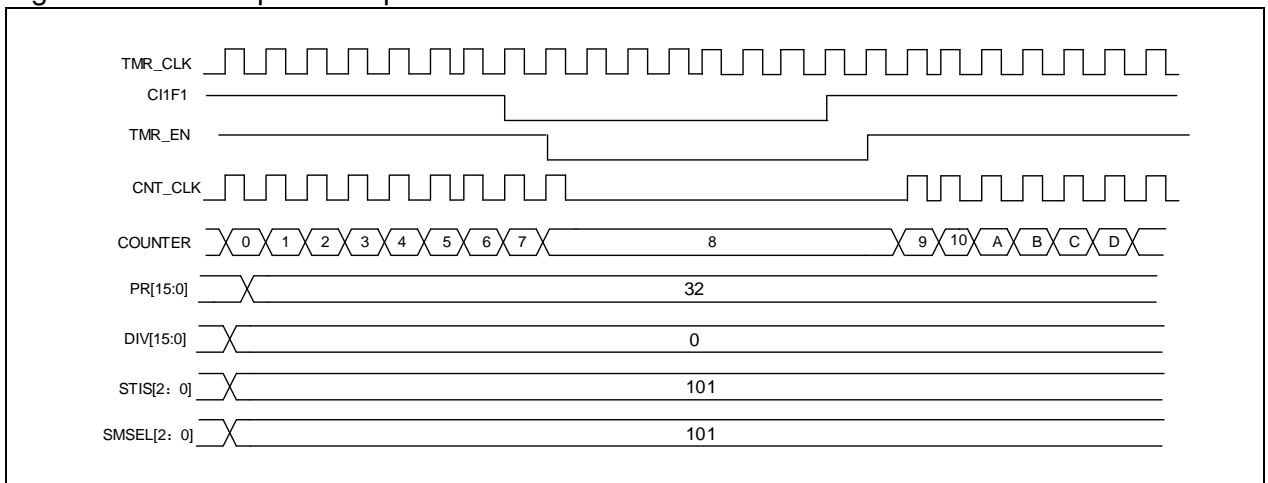
Figure 14-56 Example of reset mode



Slave mode: Suspend mode

In this mode, the counter is controlled by a selected trigger input. The counter starts counting when the trigger input is high and stops as soon as the trigger input is low.

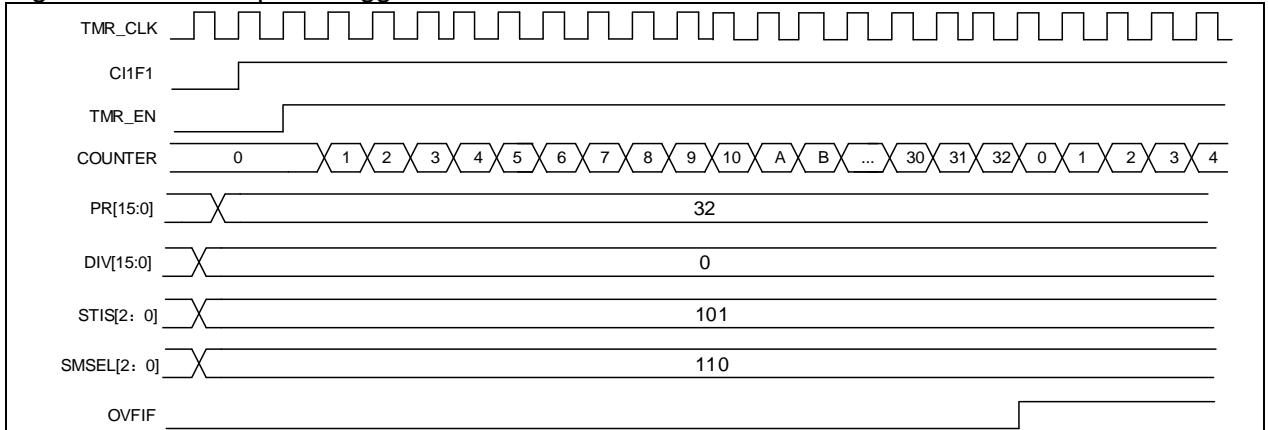
Figure 14-57 Example of suspend mode



Slave mode: Trigger mode

The counter can start counting on the rising edge of a selected trigger input (TMR_EN=1)

Figure 14-58 Example of trigger mode



Please refer to section 14.2.3.5 for more information on timer synchronization.

14.3.3.6 Debug mode

When the microcontroller enters debug mode (Cortex™-M4F core halted), the TMRx counter stops counting by setting the TMRx_PAUSE in the DEBUG module.

14.3.4 TMR9 and TMR12 registers

These peripheral registers must be accessed by word (32 bits).

All TMRx register are mapped into a 16-bit addressable space.

Table 14-8 TMR9/12 register map and reset value

Bit	Register	Reset value
TMRx_CTRL1	0x00	0x0000
TMRx_STCTRL	0x08	0x0000
TMRx_IDEN	0x0C	0x0000
TMRx_ISTS	0x10	0x0000
TMRx_SWEVT	0x14	0x0000
TMRx_CM1	0x18	0x0000
TMRx_CCTRL	0x20	0x0000
TMRx_CVAL	0x24	0x0000
TMRx_DIV	0x28	0x0000
TMRx_PR	0x2C	0x0000
TMRx_C1DT	0x34	0x0000 0000
TMRx_C2DT	0x38	0x0000 0000

14.3.4.1 Control register1 (TMRx_CTRL1)

Bit	Register	Reset value	Type	Description
Bit 15: 10	Reserved	0x00	resd	Kept at its default value
Bit 9: 8	CLKDIV	0x0	rw	Clock divider 00: Normal 01: Divided by 2 10: Divided by 4 11: Reserved
Bit 7	PRBEN	0x0	rw	Period buffer enable 0: Period buffer is disabled 1: Period buffer is enabled
Bit 6: 4	Reserved	0x0	resd	Kept at its default value
Bit 3	OCMEN	0x0	rw	One cycle mode enable This bit is use to select whether to stop counting at an update event 0: The counter does not stop at an update event 1: The counter stops at an update event
Bit 2	OVFS	0x0	rw	Overflow event source This bit is used to select overflow event or DMA request sources. 0: Counter overflow, setting the OVFSWTR bit or overflow event generated by slave timer controller 1: Only counter overflow generates an overflow event
Bit 1	OVFEN	0x0	rw	Overflow event enable 0: Enabled 1: Disabled
Bit 0	TMREN	0x0	rw	TMR enable 0: Enabled 1: Disabled

14.3.4.2 Slave timer control register (TMRx_STCTRL)

Bit	Register	Reset value	Type	Description
Bit 15:7	Reserved	0x000	resd	Kept at its default value
Bit 6: 4	STIS	0x0	rw	<p>Subordinate TMR input selection</p> <p>This field is used to select the subordinate TMR input.</p> <p>000: Internal selection 0 (IS0) 001: Internal selection 1 (IS1) 010: Internal selection 2 (IS2) 011: Internal selection 3 (IS3) 100: C1IRAW input detector (C1INC) 101: Filtered input 1 (C1IFP1) 110: Filtered input 2 (C2IFP2) 111: Reserved</p> <p>Pleaser refer to Table 14-7 for more information on ISx for each timer.</p>
Bit 3	Reserved	0x0	resd	Kept at its default value
Bit 2: 0	SMSEL	0x0	rw	<p>Subordinate TMR mode selection</p> <p>000: Slave mode is disabled 001: Reserved 010: Reserved 011: Reserved 100: Reset mode — Rising edge of the TRGIN input reinitializes the counter 101: Suspend mode — The counter starts counting when the TRGIN is high 110: Trigger mode — A trigger event is generated at the rising edge of the TRGIN input 111: External clock mode A — Rising edge of the TRGIN input clocks the counter</p> <p>Note: Please refer to count mode section for details on encoder mode A/B/C.</p>

14.3.4.3 DMA/interrupt enable register (TMRx_IDEN)

Bit	Register	Reset value	Type	Description
Bit 15:7	Reserved	0x0	resd	Kept at its default value.
Bit 6	TIEN	0x0	rw	<p>Trigger interrupt enable</p> <p>0: Disabled 1: Enabled</p>
Bit 5:3	Reserved	0x0	resd	Kept at its default value.
Bit 2	C2IEN	0x0	rw	<p>Channel 2 interrupt enable</p> <p>0: Disabled 1: Enabled</p>
Bit 1	C1IEN	0x0	rw	<p>Channel 1 interrupt enable</p> <p>0: Disabled 1: Enabled</p>
Bit 0	OVFIEN	0x0	rw	<p>Overflow interrupt enable</p> <p>0: Disabled 1: Enabled</p>

14.3.4.4 Interrupt status register (TMRx_ISTS)

Bit	Register	Reset value	Type	Description
Bit 15: 11	Reserved	0x0	resd	Kept at its default value.
Bit 10	C2RF	0x0	rw0c	Channel 2 recapture flag Please refer to C1RF description.
Bit 9	C1RF	0x0	rw0c	Channel 1 recapture flag This bit indicates whether a recapture is detected when C1IF=1. This bit is set by hardware, and cleared by writing "0". 0: No capture is detected 1: Capture is detected.
Bit 8: 7	Reserved	0x0	resd	Kept at its default value.
Bit 6	TRGIF	0x0	rw0c	Trigger interrupt flag This bit is set by hardware on a trigger event. It is cleared by writing "0". 0: No trigger event occurs 1: Trigger event is generated. Trigger event: an active edge is detected on TRGIN input, or any edge in suspend mode.
Bit 5:3	Reserved	0x0	resd	Kept at its default value.
Bit 2	C2IF	0x0	rw0c	Channel 2 interrupt flag Please refer to C1IF description.
Bit 1	C1IF	0x0	rw0c	Channel 1 interrupt flag If the channel 1 is configured as input mode: This bit is set by hardware on a capture event. It is cleared by software or read access to the TMRx_C1DT 0: No capture event occurs 1: Capture event is generated If the channel 1 is configured as output mode: This bit is set by hardware on a compare event. It is cleared by software. 0: No compare event occurs 1: Compare event is generated
Bit 0	OVFIF	0x0	rw0c	Overflow interrupt flag This bit is set by hardware on an overflow event. It is cleared by software. 0: No overflow event occurs 1: Overflow event is generated.

14.3.4.5 Software event register (TMRx_SWEVT)

Bit	Register	Reset value	Type	Description
Bit 15: 7	Reserved	0x000	resd	Kept at its default value.
Bit 6	TRGSWTR	0x0	rw	Trigger event triggered by software This bit is set by software to generate a trigger event. 0: No effect 1: Generate a trigger event.
Bit 5:3	Reserved	0x0	resd	Kept at its default value.
Bit 2	C2SWTR	0x0	wo	Channel 2 event triggered by software Please refer to C1M description
Bit 1	C1SWTR	0x0	wo	Channel 1 event triggered by software This bit is set by software to generate a channel 1 event. 0: No effect 1: Generate a channel 1 event.
Bit 0	OVFSWTR	0x0	wo	Overflow event triggered by software

This bit is set by software to generate an overflow event.
 0: No effect
 1: Generate an overflow event.

14.3.4.6 Channel mode register1 (TMRx_CM1)

The channel can be used in input (capture mode) or output (compare mode). The direction of a channel is defined by the corresponding CxC bits. All the other bits of this register have different functions in input and output modes. The CxOx describes its function in output mode when the channel is in output mode, while the CxIx describes its function in output mode when the channel is in input mode. Attention must be given to the fact that the same bit can have different functions in input mode and output mode.

Output compare mode:

Bit	Register	Reset value	Type	Description
Bit 15	Reserved	0x0	resd	Kept at its default value.
Bit 14: 12	C2OCTRL	0x0	rw	Channel 2 output control
Bit 11	C2OBEN	0x0	rw	Channel 2 output buffer enable
Bit 10	C2OIEN	0x0	rw	Channel 2 output enable immediately
Bit 9: 8	C2C	0x0	rw	Channel 2 configuration This field is used to define the direction of the channel 2 (input or output), and the selection of input pin when C2EN='0': 00: Output 01: Input, C2IN is mapped on C2IFP2 10: Input, C2IN is mapped on C1IFP2 11: Input, C2IN is mapped on STCI. This mode works only when the internal trigger input is selected by STIS register.
Bit 7	Reserved	0x0	resd	Kept at its default value.
Bit 6: 4	C1OCTRL	0x0	rw	Channel 1 output control This field defines the behavior of the original signal C1ORAW. 000: Disconnected. C1ORAW is disconnected from C1OUT; 001: C1ORAW is high when TMRx_CVAL=TMRx_C1DT 010: C1ORAW is low when TMRx_CVAL=TMRx_C1DT 011: Switch C1ORAW level when TMRx_CVAL=TMRx_C1DT 100: C1ORAW is forced low 101: C1ORAW is forced high. 110: PWM mode A - OWCDIR=0, C1ORAW is high once TMRx_C1DT>TMRx_CVAL, else low; - OWCDIR=1, C1ORAW is low once TMRx_C1DT<TMRx_CVAL, else high; 111: PWM mode B - OWCDIR=0, C1ORAW is low once TMRx_C1DT>TMRx_CVAL, else high; - OWCDIR=1, C1ORAW is high once TMRx_C1DT<TMRx_CVAL, else low. <i>Note: In the configurations other than 000', the C1OUT is connected to C1ORAW. The C1OUT output level is not only subject to the changes of C1ORAW, but also the output polarity set by CTRL.</i>
Bit 3	C1OBEN	0x0	rw	Channel 1 output buffer enable

				0: Buffer function of TMRx_C1DT is disabled. The new value written to the TMRx_C1DT takes effect immediately. 1: Buffer function of TMRx_C1DT is enabled. The value to be written to the TMRx_C1DT is stored in the buffer register, and can be sent to the TMRx_C1DT register only on an overflow event.
Bit 2	C1OIE	0x0	rw	Channel 1 output enable immediately In PWM mode A or B, this bit is used to accelerate the channel 1 output's response to the trigger event. 0: Need to compare the CVAL with C1DT before generating an output 1: No need to compare the CVAL and C1DT. An output is generated immediately when a trigger event occurs.
Bit 1: 0	C1C	0x0	rw	Channel 1 configuration This field is used to define the direction of the channel 1 (input or output), and the selection of input pin when C1EN='0': 00: Output 01: Input, C1IN is mapped on C1IFP1 10: Input, C1IN is mapped on C2IFP1 11: Input, C1IN is mapped on STCI. This mode works only when the internal trigger input is selected by STIS.

Input capture mode:

Bit	Register	Reset value	Type	Description
Bit 15: 12	C2DF	0x0	rw	Channel 2 digital filter
Bit 11: 10	C2IDIV	0x0	rw	Channel 2 input divider
Bit 9: 8	C2C	0x0	rw	Channel 2 configuration This field is used to define the direction of the channel 2 (input or output), and the selection of input pin when C2EN='0': 00: Output 01: Input, C2IN is mapped on C2IFP2 10: Input, C2IN is mapped on C1IFP2 11: Input, C2IN is mapped on STCI. This mode works only when the internal trigger input is selected by STIS.
Bit 7: 4	C1DF	0x0	rw	Channel 1 digital filter This field defines the digital filter of the channel 1. N stands for the number of filtering, indicating that the input edge can pass the filter only after N sampling events. 0000: No filter, sampling is done at f_{DTS} 1000: $f_{SAMPLING}=f_{DTS}/8$, N=6 0001: $f_{SAMPLING}=f_{CK_INT}$, N=2 1001: $f_{SAMPLING}=f_{DTS}/8$, N=8 0010: $f_{SAMPLING}=f_{CK_INT}$, N=4 1010: $f_{SAMPLING}=f_{DTS}/16$, N=5 0011: $f_{SAMPLING}=f_{CK_INT}$, N=8 1011: $f_{SAMPLING}=f_{DTS}/16$, N=6 0100: $f_{SAMPLING}=f_{DTS}/2$, N=6 1100: $f_{SAMPLING}=f_{DTS}/16$, N=8 0101: $f_{SAMPLING}=f_{DTS}/2$, N=8 1101: $f_{SAMPLING}=f_{DTS}/32$, N=5 0110: $f_{SAMPLING}=f_{DTS}/4$, N=6 1110: $f_{SAMPLING}=f_{DTS}/32$, N=6 0111: $f_{SAMPLING}=f_{DTS}/4$, N=8

				1111: $f_{SAMPLING} = f_{DTS} / 32, N=8$
				Channel 1 input divider
				This field defines Channel 1 input divider.
Bit 3: 2	C1IDIV	0x0	rw	00: No divider. An input capture is generated at each active edge. 01: An input compare is generated every 2 active edges 10: An input compare is generated every 4 active edges 11: An input compare is generated every 8 active edges Note: the divider is reset once C1EN='0'
				Channel 1 configuration
				This field is used to define the direction of the channel 1 (input or output), and the selection of input pin when C1EN='0':
Bit 1: 0	C1C	0x0	rw	00: Output 01: Input, C1IN is mapped on C1IFP1 10: Input, C1IN is mapped on C2IFP1 11: Input, C1IN is mapped on STCI. This mode works only when the internal trigger input is selected by STIS.

14.3.4.7 Channel control register (TMRx_CTRL)

Bit	Register	Reset value	Type	Description
Bit 15: 6	Reserved	0x0	resd	Kept at its default value.
Bit 5	C2P	0x0	rw	Channel 2 polarity Pleaser refer to C1P description.
Bit 4	C2EN	0x0	rw	Channel 2 enable Pleaser refer to C1EN description.
Bit 3: 2	Reserved	0x0	resd	Kept at its default value.
Bit 1	C1P	0x0	rw	Channel 1 polarity When the channel 1 is configured as output mode: 0: C1OUT is active high 1: C1OUT is active low When the channel 1 is configured as input mode: 0: C1IN active edge is on its rising edge. When used as external trigger, C1IN is not inverted. 1: C1IN active edge is on its falling edge. When used as external trigger, C1IN is inverted.
Bit0	C1EN	0x0	rw	Channel 1 enable 0: Input or output is disabled 1: Input or output is enabled

Table 14-9 Standard CxOUT channel output control bit

CxEN bit	CxOUT output state
0	Output disabled (CxOUT=0)
1	CxOUT = CxORAW + polarity

Note: The state of the external I/O pins connected to the standard CxOUT channel depends on the CxOUT channel state and the GPIO and IOMUX registers.

14.3.4.8 Counter value (TMRx_CVAL)

Bit	Register	Reset value	Type	Description
Bit 15: 0	CVAL	0x0000	rw	Counter value

14.3.4.9 Division value (TMRx_DIV)

Bit	Register	Reset value	Type	Description
Bit 15:0	DIV	0x0000	rw	Divider value The counter clock frequency $f_{CK_CNT} = f_{TMR_CLK} / (DIV[15:0] + 1)$. DIV contains the value written at an overflow event.

14.3.4.10 Period register (TMRx_PR)

Bit	Register	Reset value	Type	Description
Bit 15:0	PR	0x0000	rw	Period value This defines the period value of the TMRx counter. The timer stops working when the period value is 0.

14.3.4.11 Channel 1 data register (TMRx_C1DT)

Bit	Register	Reset value	Type	Description
Bit 31:16	Reserved	0x0000	resd	Kept at its default value.
Bit 15:0	C1DT	0x0000	rw	Channel 1 data register When the channel 1 is configured as input mode: The C1DT is the CVAL value stored by the last channel 1 input event (C1IN) When the channel 1 is configured as output mode: C1DT is the value to be compared with the CVAL value. Whether the written value takes effective immediately depends on the C1OBEN bit, and the corresponding output is generated on C1OUT as configured.

14.3.4.12 Channel 2 data register (TMRx_C2DT)

Bit	Register	Reset value	Type	Description
Bit 31:16	C2DT	0x0000	resd	Kept at its default value.
Bit 15:0	C2DT	0x0000	rw	Channel 2 data register When the channel 2 is configured as input mode: The C2DT is the CVAL value stored by the last channel 2 input event (C1IN) When the channel 2 is configured as output mode: C2DT is the value to be compared with the CVAL value. Whether the written value takes effective immediately depends on the C2OBEN bit, and the corresponding output is generated on C2OUT as configured.

14.3.5 TMR10,TMR11, TMR13 and TMR14 registers

These peripheral registers must be accessed by words (32 bits).

All TMRx register are mapped into a 1-bit addressable space.

Table 14-10 TMR10/11/13/14 register map and reset value

Register	Offset	Reset value
TMRx_CTRL1	0x00	0x0000
TMRx_IDEN	0x0C	0x0000
TMRx_ISTS	0x10	0x0000
TMRx_SWEVT	0x14	0x0000
TMRx_CM1	0x18	0x0000
TMRx_CCTRL	0x20	0x0000
TMRx_CVAL	0x24	0x0000
TMRx_DIV	0x28	0x0000
TMRx_PR	0x2C	0x0000
TMRx_C1DT	0x34	0x0000

14.3.5.1 Control register1 (TMRx_CTRL1)

Bit	Register	Reset value	Type	Description
Bit 15: 10	Reserved	0x00	resd	Kept at its default value
Bit 9: 8	CLKDIV	0x0	rw	Clock divider 00: Normal 01: Divided by 2 10: Divided by 4 11: Reserved
Bit 7	PRBEN	0x0	rw	Period buffer enable 0: Period buffer is disabled 1: Period buffer is enabled
Bit 6: 4	Reserved	0x0	resd	Default value
Bit 3	OCMEN	0x0	rw	One cycle mode enable This bit is use to select whether to stop counting at an update event 0: The counter does not stop at an update event 1: The counter stops at an update event
Bit 2	OVFS	0x0	rw	Overflow event source This bit is used to select overflow event or DMA request sources. 0: Counter overflow, setting the OVFSWTR bit or overflow event generated by slave timer controller 1: Only counter overflow generates an overflow event
Bit 1	OVFEN	0x0	rw	Overflow event enable 0: Enabled 1: Disabled
Bit 0	TMREN	0x0	rw	TMR enable 0: Enabled 1: Disabled

14.3.5.2 DMA/interrupt enable register (TMRx_IDEN)

Bit	Register	Reset value	Type	Description
Bit 15:2	Reserved	0x0	resd	Kept at its default value
Bit 1	C1IEN	0x0	rw	Channel 1 interrupt enable 0: Disabled 1: Enabled
Bit 0	OVFIEN	0x0	rw	Overflow interrupt enable 0: Disabled 1: Enabled

14.3.5.3 Interrupt status register (TMRx_ISTS)

Bit	Register	Reset value	Type	Description
Bit 15: 10	Reserved	0x0	resd	Kept at its default value.
Bit 9	C1RF	0x0	rw0c	Channel 1 recapture flag This bit indicates whether a recapture is detected when C1IF=1. This bit is set by hardware, and cleared by writing "0". 0: No capture is detected 1: Capture is detected.
Bit 8: 2	Reserved	0x0	resd	Kept at its default value.
Bit 1	C1IF	0x0	rw0c	Channel 1 interrupt flag If the channel 1 is configured as input mode: This bit is set by hardware on a capture event. It is cleared by software or read access to the TMRx_C1DT

				0: No capture event occurs 1: Capture event is generated If the channel 1 is configured as output mode: This bit is set by hardware on a compare event. It is cleared by software. 0: No compare event occurs 1: Compare event is generated
Bit 0	OVFIF	0x0	rw0c	Overflow interrupt flag This bit is set by hardware on an overflow event. It is cleared by software. 0: No overflow event occurs 1: Overflow event is generated.

14.3.5.4 Software event register (TMRx_SWEVT)

Bit	Register	Reset value	Type	Description
Bit 15:2	Reserved	0x000	resd	Kept at its default value.
Bit 1	C1SWTR	0x0	wo	Channel 1 event triggered by software This bit is set by software to generate a channel 1 event. 0: No effect 1: Generate a channel 1 event.
Bit 0	OVFSWTR	0x0	wo	Overflow event triggered by software This bit is set by software to generate an overflow event. 0: No effect 1: Generate an overflow event.

14.3.5.5 Channel mode register1 (TMRx_CM1)

The channel can be used in input (capture mode) or output (compare mode). The direction of a channel is defined by the corresponding CxC bits. All the other bits of this register have different functions in input and output modes. The CxOx describes its function in output mode when the channel is in output mode, while the Cxlx describes its function in output mode when the channel is in input mode. Attention must be given to the fact that the same bit can have different functions in input mode and output mode.

Output compare mode:

Bit	Register	Reset value	Type	Description
Bit 15:7	Reserved	0x0	resd	Kept at its default value.
Bit 6:4	C1OCTRL	0x0	rw	Channel 1 output control This field defines the behavior of the original signal C1ORAW. 000: Disconnected. C1ORAW is disconnected from C1OUT; 001: C1ORAW is high when TMRx_CVAL=TMRx_C1DT 010: C1ORAW is low when TMRx_CVAL=TMRx_C1DT 011: Switch C1ORAW level when TMRx_CVAL=TMRx_C1DT 100: C1ORAW is forced low 101: C1ORAW is forced high. 110: PWM mode A —OWCDIR=0, C1ORAW is high once TMRx_C1DT>TMRx_CVAL, else low; —OWCDIR=1, C1ORAW is low once TMRx_C1DT<TMRx_CVAL, else high; 111: PWM mode B —OWCDIR=0, C1ORAW is low once TMRx_C1DT>TMRx_CVAL, else high; —OWCDIR=1, C1ORAW is high once TMRx_C1DT<TMRx_CVAL, else low.

				<i>Note: In the configurations other than 000', the C1OUT is connected to C1ORAW. The C1OUT output level is not only subject to the changes of C1ORAW, but also the output polarity set by CCTRL.</i>
Bit 3	C1OBEN	0x0	rw	<p>Channel 1 output buffer enable</p> <p>0: Buffer function of TMRx_C1DT is disabled. The new value written to the TMRx_C1DT takes effect immediately.</p> <p>1: Buffer function of TMRx_C1DT is enabled. The value to be written to the TMRx_C1DT is stored in the buffer register, and can be sent to the TMRx_C1DT register only on an overflow event.</p>
Bit 2	C1OIEN	0x0	rw	<p>Channel 1 output enable immediately</p> <p>In PWM mode A or B, this bit is used to accelerate the channel 1 output's response to the trigger event.</p> <p>0: Need to compare the CVAL with C1DT before generating an output</p> <p>1: No need to compare the CVAL and C1DT. An output is generated immediately when a trigger event occurs.</p>
Bit 1: 0	C1C	0x0	rw	<p>Channel 1 configuration</p> <p>This field is used to define the direction of the channel 1 (input or output), and the selection of input pin when C1EN='0':</p> <p>00: Output</p> <p>01: Input, C1IN is mapped on C1IFP1</p> <p>10: Reserved</p> <p>11: Reserved.</p>

Input capture mode:

Bit	Register	Reset value	Type	Description
Bit 15: 8	Reserved	0x0	resd	Kept at its default value.
Bit 7: 4	C1DF	0x0	rw	<p>Channel 1 digital filter</p> <p>This field defines the digital filter of the channel 1. N stands for the number of filtering, indicating that the input edge can pass the filter only after N sampling events.</p> <p>0000: No filter, sampling is done at f_{DTS}</p> <p>1000: $f_{SAMPLING} = f_{DTS}/8, N=6$</p> <p>0001: $f_{SAMPLING} = f_{CK_INT}, N=2$</p> <p>1001: $f_{SAMPLING} = f_{DTS}/8, N=8$</p> <p>0010: $f_{SAMPLING} = f_{CK_INT}, N=4$</p> <p>1010: $f_{SAMPLING} = f_{DTS}/16, N=5$</p> <p>0011: $f_{SAMPLING} = f_{CK_INT}, N=8$</p> <p>1011: $f_{SAMPLING} = f_{DTS}/16, N=6$</p> <p>0100: $f_{SAMPLING} = f_{DTS}/2, N=6$</p> <p>1100: $f_{SAMPLING} = f_{DTS}/16, N=8$</p> <p>0101: $f_{SAMPLING} = f_{DTS}/2, N=8$</p> <p>1101: $f_{SAMPLING} = f_{DTS}/32, N=5$</p> <p>0110: $f_{SAMPLING} = f_{DTS}/4, N=6$</p> <p>1110: $f_{SAMPLING} = f_{DTS}/32, N=6$</p> <p>0111: $f_{SAMPLING} = f_{DTS}/4, N=8$</p> <p>1111: $f_{SAMPLING} = f_{DTS}/32, N=8$</p>
Bit 3: 2	C1IDIV	0x0	rw	<p>Channel 1 input divider</p> <p>This field defines Channel 1 input divider.</p> <p>00: No divider. An input capture is generated at each active edge.</p> <p>01: An input compare is generated every 2 active edges</p>

				10: An input compare is generated every 4 active edges 11: An input compare is generated every 8 active edges Note: the divider is reset once C1EN='0'
Bit 1:0	C1C	0x0	rw	Channel 1 configuration This field is used to define the direction of the channel 1 (input or output), and the selection of input pin when C1EN='0': 00: Output 01: Input, C1IN is mapped on C1IFP1 10: Reserved 11: Reserved

14.3.5.6 Channel control register (TMRx_CTRL)

Bit	Register	Reset value	Type	Description
Bit 15:2	Reserved	0x0	resd	Kept at its default value.
Bit 1	C1P	0x0	rw	Channel 1 polarity When the channel 1 is configured as output mode: 0: C1OUT is active high 1: C1OUT is active low When the channel 1 is configured as input mode: 0: C1IN active edge is on its rising edge. When used as external trigger, C1IN is not inverted. 1: C1IN active edge is on its falling edge. When used as external trigger, C1IN is inverted.
Bit0	C1EN	0x0	rw	Channel 1 enable 0: Input or output is disabled 1: Input or output is enabled

Table 14-11 Standard CxOUT channel output control bit

CxEN bit	CxOUT output state
0	Output disabled (CxOUT=0)
1	CxOUT = CxORAW + polarity

Note: The state of the external I/O pins connected to the standard CxOUT channel depends on the CxOUT channel state and the GPIO and IOMUX registers.

14.3.5.7 Counter value (TMRx_CVAL)

Bit	Register	Reset value	Type	Description
Bit 15:0	CVAL	0x0000	rw	Counter value

14.3.5.8 Division value (TMRx_DIV)

Bit	Register	Reset value	Type	Description
Bit 15:0	DIV	0x0000	rw	Divider value The counter clock frequency $f_{CK_CNT} = f_{TMR_CLK} / (DIV[15:0] + 1)$. DIV contains the value written at an overflow event.

14.3.5.9 Period register (TMRx_PR)

Bit	Register	Reset value	Type	Description
Bit 15:0	PR	0x0000	rw	Period value This defines the period value of the TMRx counter. The timer stops working when the period value is 0.

14.3.5.10 Channel 1 data register (TMRx_C1DT)

Bit	Register	Reset value	Type	Description
Bit 15: 0	C1DT	0x0000	rw	<p>Channel 1 data register</p> <p>When the channel 1 is configured as input mode: The C1DT is the CVAL value stored by the last channel 1 input event (C1IN)</p> <p>When the channel 1 is configured as output mode: C1DT is the value to be compared with the CVAL value. Whether the written value takes effective immediately depends on the C1OBEN bit, and the corresponding output is generated on C1OUT as configured.</p>

14.4 Advanced-control timers (TMR1 and TMR8)

14.4.1 TMR1 and TMR8 introduction

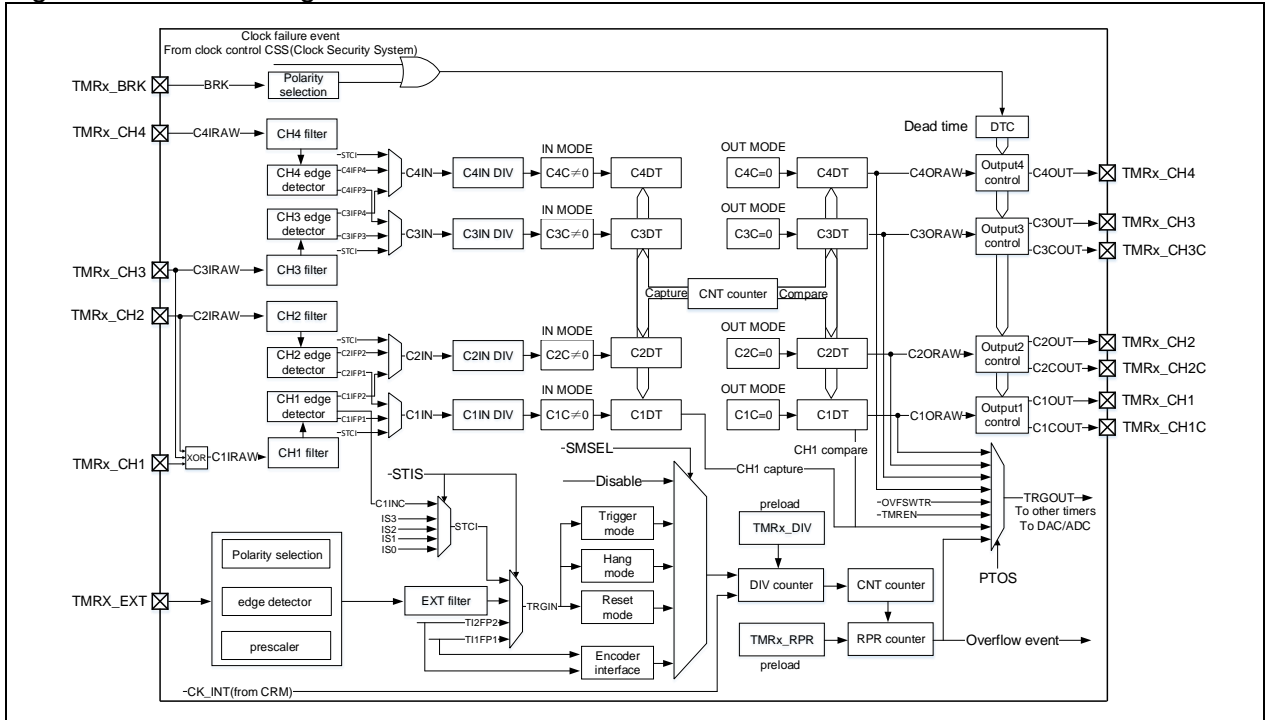
Each of the advanced-control timer (TMR1 and TMR8) consists of a 16-bit counter supporting up, down, up/down (bidirectional) counting modes, four capture/compare registers, and four independent channels to achieve embedded dead-time, input capture and programmable PWM output.

14.4.2 TMR1 and TMR8 main features

The main functions of general-purpose TMR1 and TMR8 include:

- Source of counter clock: internal clock, external clock and internal trigger input
- 16-bit up, down, up/down, repetition and encoder mode counter
- 4 independent channels for input capture, output compare, PWM generation, one-pulse mode output and embedded dead-time
- 3 independent channels for complementary output
- TMR break function
- Synchronization control between master and slave timers
- Interrupt/DMA is generated at overflow event, trigger event, break signal input and channel event
- Support TMR burst DMA transfer

Figure 14-59 Block diagram of advanced-control timer

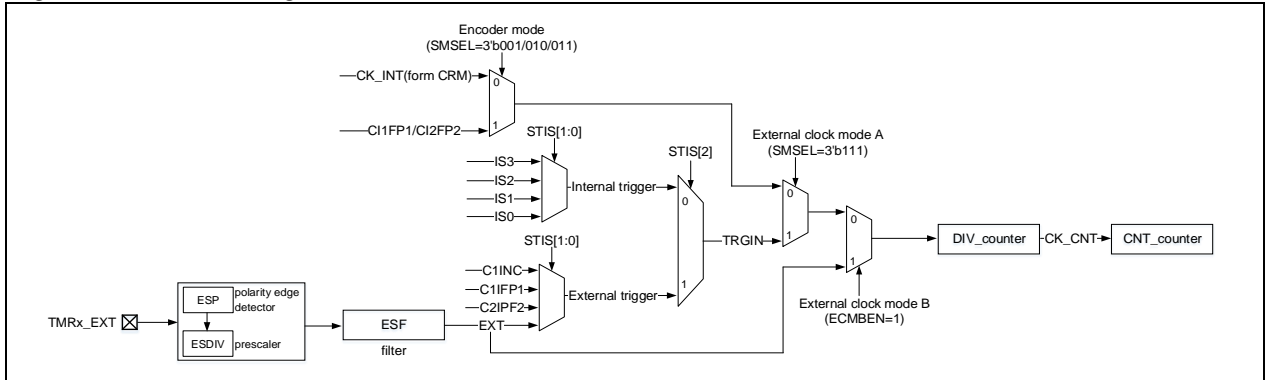


14.4.3 TMR1 and TMR8 functional overview

14.4.3.1 Counting clock

The count clock of TMR1 and TMR8 can be provided by the internal clock (CK_INT), external clock (external clock mode A and B) and internal trigger input (ISx)

Figure 14-60 Counting clock

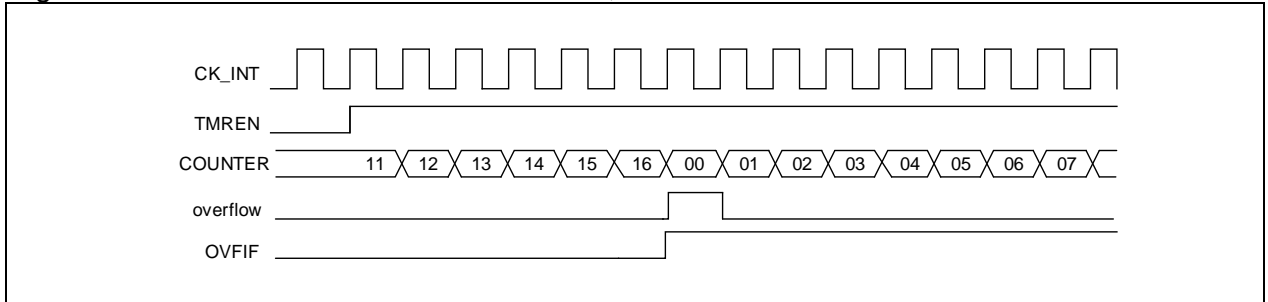


Internal clock (CK_INT)

By default, the CK_INT divided by the prescaler is used to drive the counter to start counting.

- Select a counting mode by setting the TWCMSEL[1:0] in TMRx_CTRL1 register. If an unidirectional aligned counting mode is selected, it is necessary to select a counting direction through the OWCDIR in TMRx_CTRL1 register.
- Set counting frequency through TMRx_DIV register
- Set counting cycles through TMRx_PR register
- Enable a counter by setting the TMREN bit in the TMRx_CTRL1 register

Figure 14-61 Control circuit with CK_INT, TMRx_DIV=0x0 and TMRx_PR=0x16



External clock (TRGIN/EXT)

The counter clock can be provided by two external clock sources, namely, TRGIN and EXT signals.

SMSEL=3'b111: External clock mode A is selected. Select an external clock source TRGIN signal by setting the STIS[2:0] bit to drive the counter to start counting.

The external clock sources include: C1INC (STIS=3'b100, channel 1 rising edge and falling edge), C1IFP1 (STIS=3'b101, the channel 1 signal with filtering and polarity selection), C2IFP2 (STIS=3'b110, a channel 2 signal with filtering and polarity selection) and EXT (STIS=3'b111, external input signal with polarity selection, frequency division and filtering).

ECMBEN=1: External clock mode B is selected. The counter is driven by external input that has gone through polarity selection, frequency division and filtering. The external clock mode B is equivalent to the external clock mode A which selects EXT signal as an external force TRGIN.

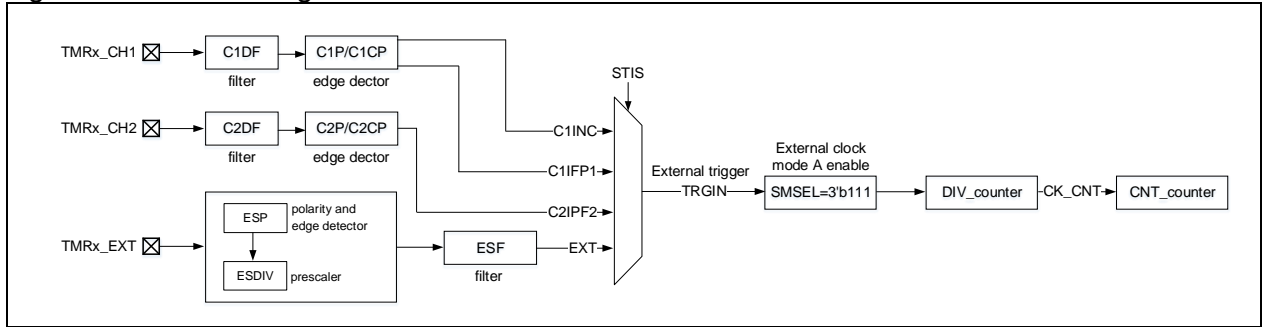
To use external clock mode A, follow the steps below:

- Set external source TRGIN parameters
 - If the TMRx_CH1 is used as a source of TRGIN, it is necessary to configure channel 1 input filter (C1DF[3:0] in TMRx_CM1 register) and channel 1 input polarity (C1P/C1CP in TMRx_CCTRL register);
 - If the TMRx_CH2 is used as source of TRGIN, it is necessary to configure channel 1 input filter (C2DF[3:0] in TMRx_CM1 register) and channel 2 input polarity (C2P/C2CP in TMRx_CCTR register);
 - If the TMRx_EXT is used as a source of TRGIN, it is necessary to configure the external signal polarity (ESP in TMRx_STCTRL register), external signal frequency division (ESDIV[1:0] in TMRx_STCTRL) and external signal filter (ESF[3:0] in TMRx_STCTRL register).
- Set TRGIN signal source using the STIS[1:0] bit in TMRx_STCTRL register
- Enable external clock mode A by setting SMSEL=3'b111 in TMRx_STCTR register
- Set counting frequency through the DIV[15:0] in TMRx_DIV register
- Set counting period through the PR[15:0] in TMRx_PR register
- Enable counter through the TMREN bit in TMRx_CTRL1 register

To use external clock mode B, follow the steps below:

- Set external signal polarity through the ESP bit in TMRx_STCTRL register
- Set external signal frequency division through the ESDIV[1:0] bit in TMRx_STCTRL register
- Set external signal filter through the ESF[3:0] bit in TMRx_STCTRL register
- Enable external clock mode B through the ECMBEN bit in TMRx_STCTR register
- Set counting frequency through the DIV[15:0] bit in TMRx_DIV register
- Set counting period through the PR[15:0] bit in TMRx_PR register
- Enable counter through the TMREN in TMRx_CTRL1 register

Figure 14-62 Block diagram of external clock mode A



Note: The delay between the signal on the input side and the actual clock of the counter is due to the synchronization circuit.

Figure 14-63 Counting in external clock mode A, PR=0x32, DIV=0x0

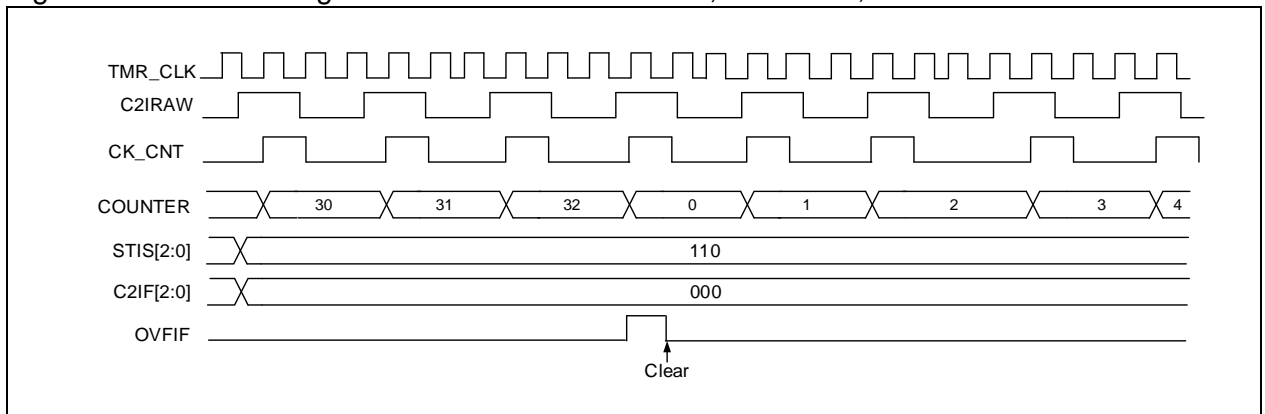
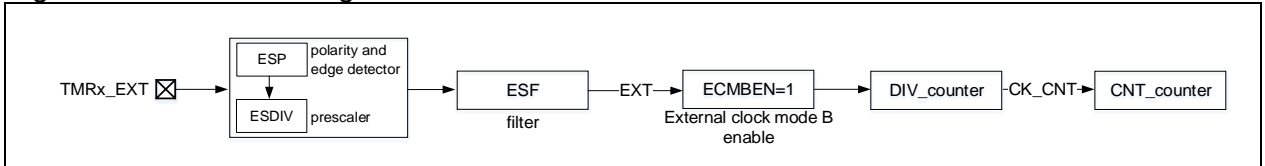
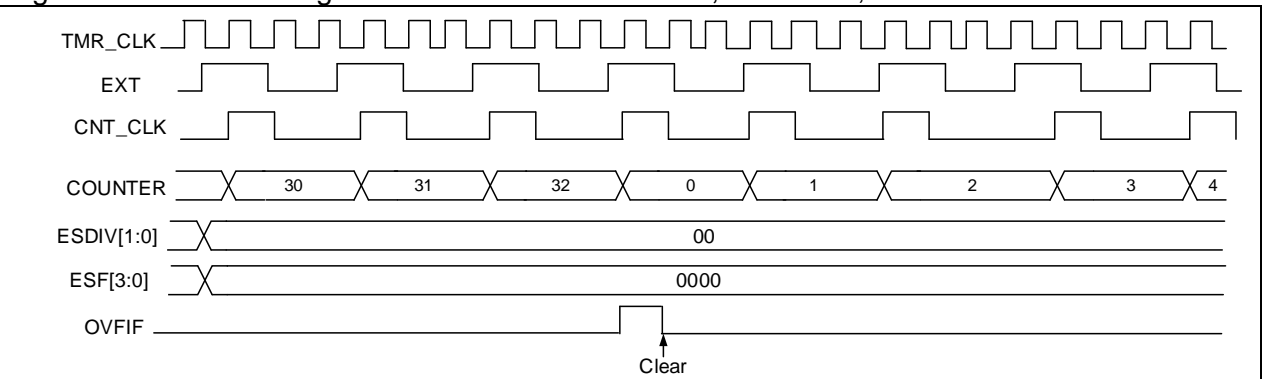


Figure 14-64 Block diagram of external clock mode B



Note: The delay between the ext signal on the input side and the actual clock of the counter is due to the synchronization circuit.

Figure 14-65 Counting in external clock mode B, PR=0x32, DIV=0x0



Internal trigger input (ISx)

Timer synchronization allows interconnection between several timers. The TMR_CLK of one timer can be provided by the TRGOUT signal output by another timer. Set the STIS[2: 0] bit to select internal trigger signal to enable counting.

Each timer consists of a 16-bit prescaler, which is used to generate the CK_CNT that enables the counter to count. The frequency division relationship between the CK_CNT and TMR_CLK can be adjusted by setting the value of the TMRx_DIV register. The prescaler value can be modified at any time, but it takes effect only when the next overflow event occurs.

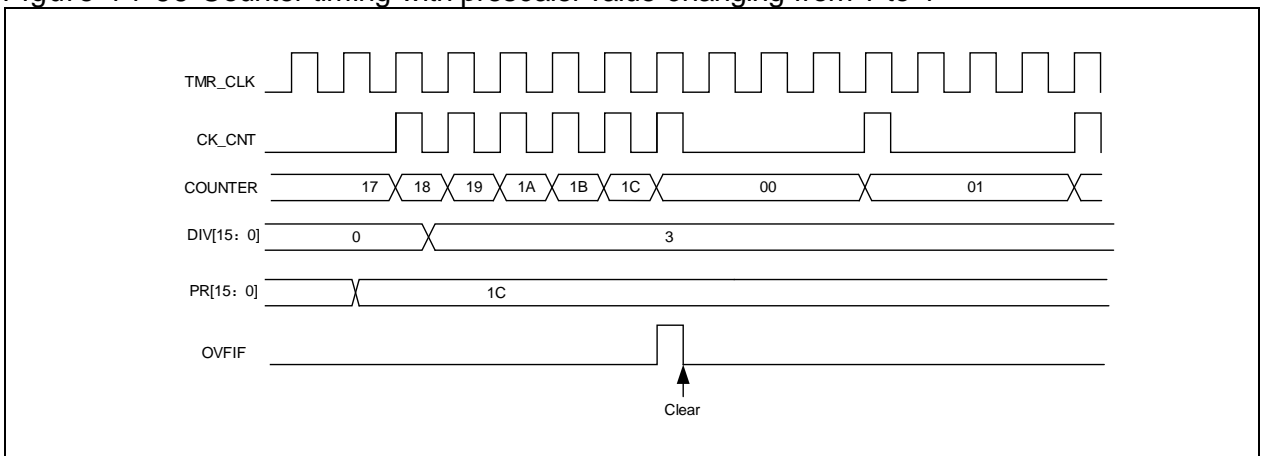
Below is the configuration procedure for internal trigger input:

- Set counting cycles through TMRx_PR register
- Set counting frequency through TMRx_DIV register
- Set counting modes through the TWCMSEL[1:0] in TMRx_CTRL1 register
- Select internal trigger by setting STIS[2:0]= 3'b000~3'b011 in TMRx_STCTRL register
- Select external clock mode A by setting SMSEL[2:0]=3'b111 in TMRx_STCTRL register
- Eable TMRx to start counting through the TMREN in TMRx_CTRL1 register

Table 14-12 TMRx internal trigger connection

Slave timer	IS0 (STIS=000)	IS1 (STIS=001)	IS2 (STIS=010)	IS3 (STIS=011)
TMR1	TMR5	TMR2	TMR3	TMR4
TMR8	TMR1	TMR2	TMR4	TMR5
Reserved	TMR8	TMR2	TMR4	TMR5

Figure 14-66 Counter timing with prescaler value changing from 1 to 4



14.4.3.2 Counting mode

The advanced-control timer consists of a 16-bit counter supporting up, down, up/down counting modes. The TMRx_PR register is used to define counting period of counter. The value in the TMRx_PR is immediately moved to the shadow register by default. When the periodic buffer is enabled (PRBEN=1), the value in the TMRx_PR register is transferred to the shadow register only at an overflow event.

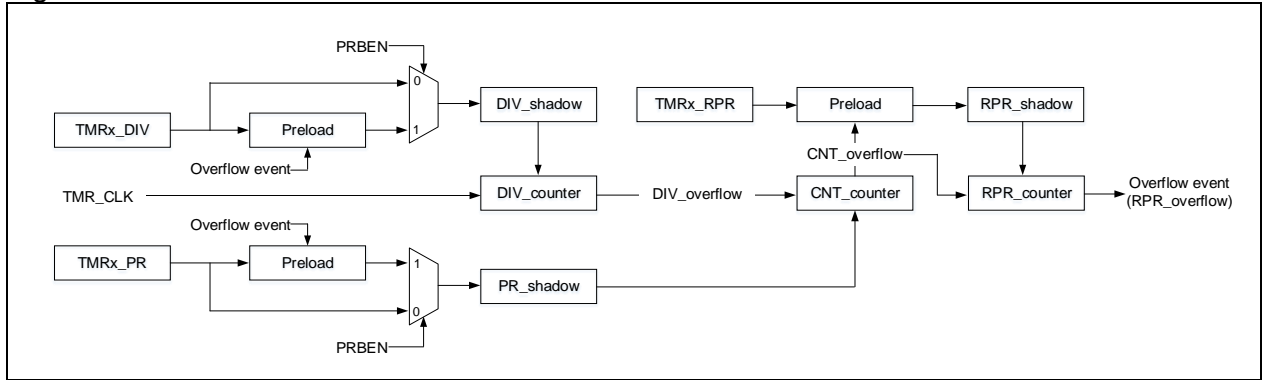
TMRx_DIV register is used to define the counter frequency of the counter. The counter counts once every DIV[15:0]+1 clock cycle. Similar to TMRx_PR register, after enabling periodic buffer, the value of the TMRx_DIV register are transferred into the shadow register at each overflow event.

Reading the TMRx_CNT register returns the current counter value. Writing the TMRx_CNT register will update the current counter value.

An overflow event is enabled by default. It can be disabled by setting OVFEN=1 in the TMRx_CTRL1 register. The OVFS bit in the TMRx_CTRL1 register is used to select the source of an overflow event, which is, by default, counter overflow or underflow, setting OVFSWTR, reset signal generated by slave mode timer controller in reset mode. Once the OVFS is set, an overflow event is generated only when overflow or underflow occurs.

Setting the TMREN bit (TMREN=1) enables the timer to start counting. Base on synchronization logic, however, the actual enable signal TMR_EN is set 1 clock cycle after the TMREN is set.

Figure 14-67 Basic structure of a counter



Upcounting mode

Upcounting mode is enabled by setting CMSEL[1:0]=2'b00 in the TMRx_CTRL register.

In upcounting mode, the counter counts from 0 to the value programmed in the TMRx_PR register, then restarts from 0, and generates a counter overflow event, with setting OVFI=1. If the overflow event is disabled, the counter is no longer reloaded with the prescaler value and period value at a counter overflow event, otherwise, the counter is updated with the prescaler value and period value on an overflow event.

Figure 14-68 Overflow event when PRBEN=0

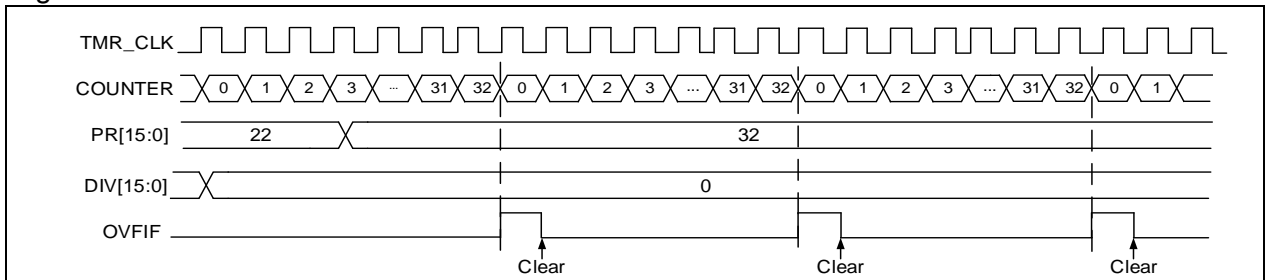
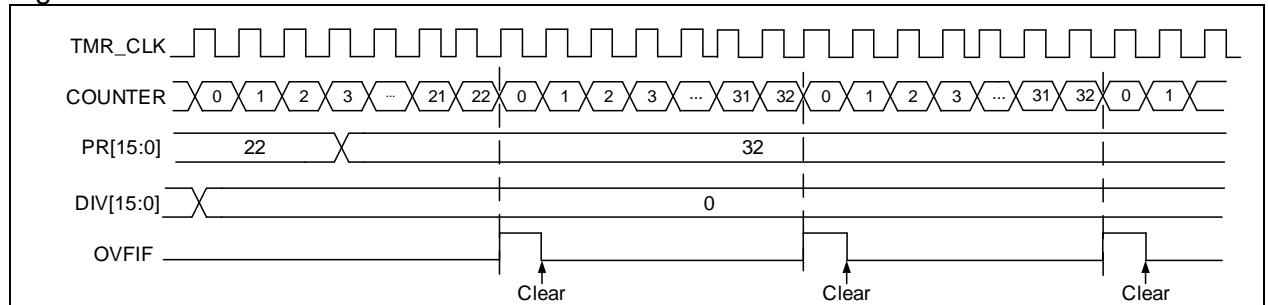


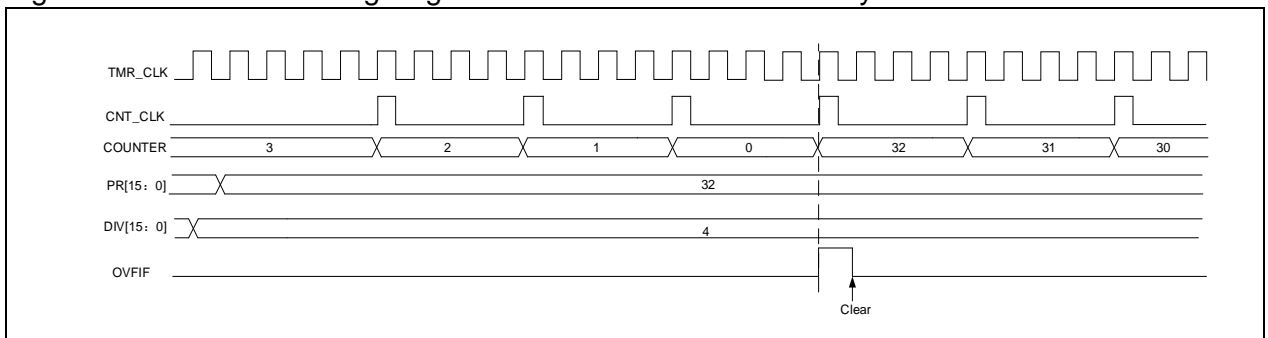
Figure 14-69 Overflow event when PRBEN=1



Downcounting mode

Downcounting mode is enabled by setting CMSEL[1:0]=2'b00 and OWCDIR=1'b1 in the TMRx_CTRL register. In downcounting mode, the counter counts from the value programmed in the TMRx_PR register down to 0, and restarts from the value programmed in the TMRx_PR register, and generates a counter underflow event.

Figure 14-70 Counter timing diagram with internal clock divided by 4



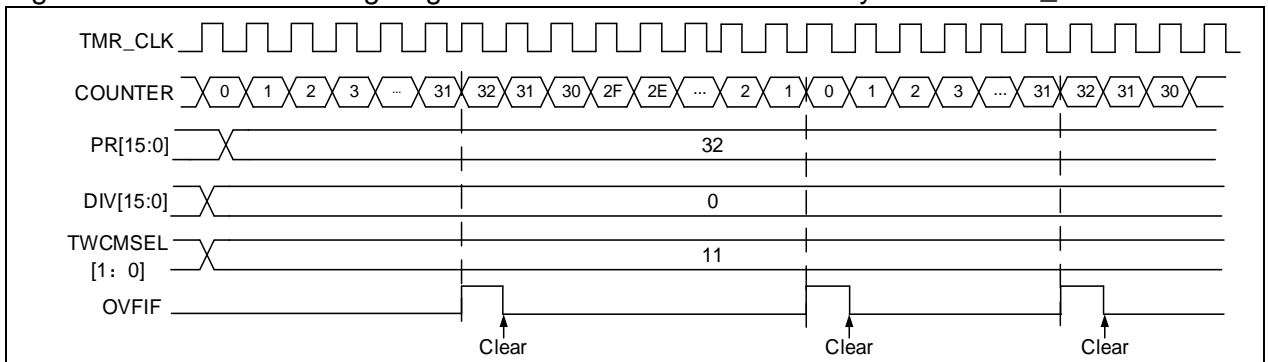
Up/down counting mode

Up/down counting mode can be enabled by setting CMSEL[1:0]≠2'b00 in the TMRx_CTRL1 register. In up/down counting mode, the counter counts up/down alternatively. When the counter counts from the value programmed in the TMRx_PR register down to 1, an underflow event is generated, and then restarts counting from 0; When the counter counts from 0 to the value of the TMRx_PR register -1, an overflow event is generated, and then restarts counting from the value of the TMRx_PR register. The OWCDIR bit indicates the current counting direction.

The TWCMSEL[1:0] bit in the TMRx_CTRL1 register is used to select the condition under which the CxIF flag is set in two-way counting mode. In other words, when TWCMSEL[1:0]=2'b01 (counting mode 1) is selected, the CxIF flag is set only when the counter counts down; when TWCMSEL[1:0]=2'b10 (counting mode 2) is selected, the CxIF flag is set only when the counter counts up; when TWCMSEL[1:0]=2'b11 (counting mode 3) is selected, the CxIF flag is set when the counter counts up and down.

Note: The OWCDIR is ready-only in up/down counting mode.

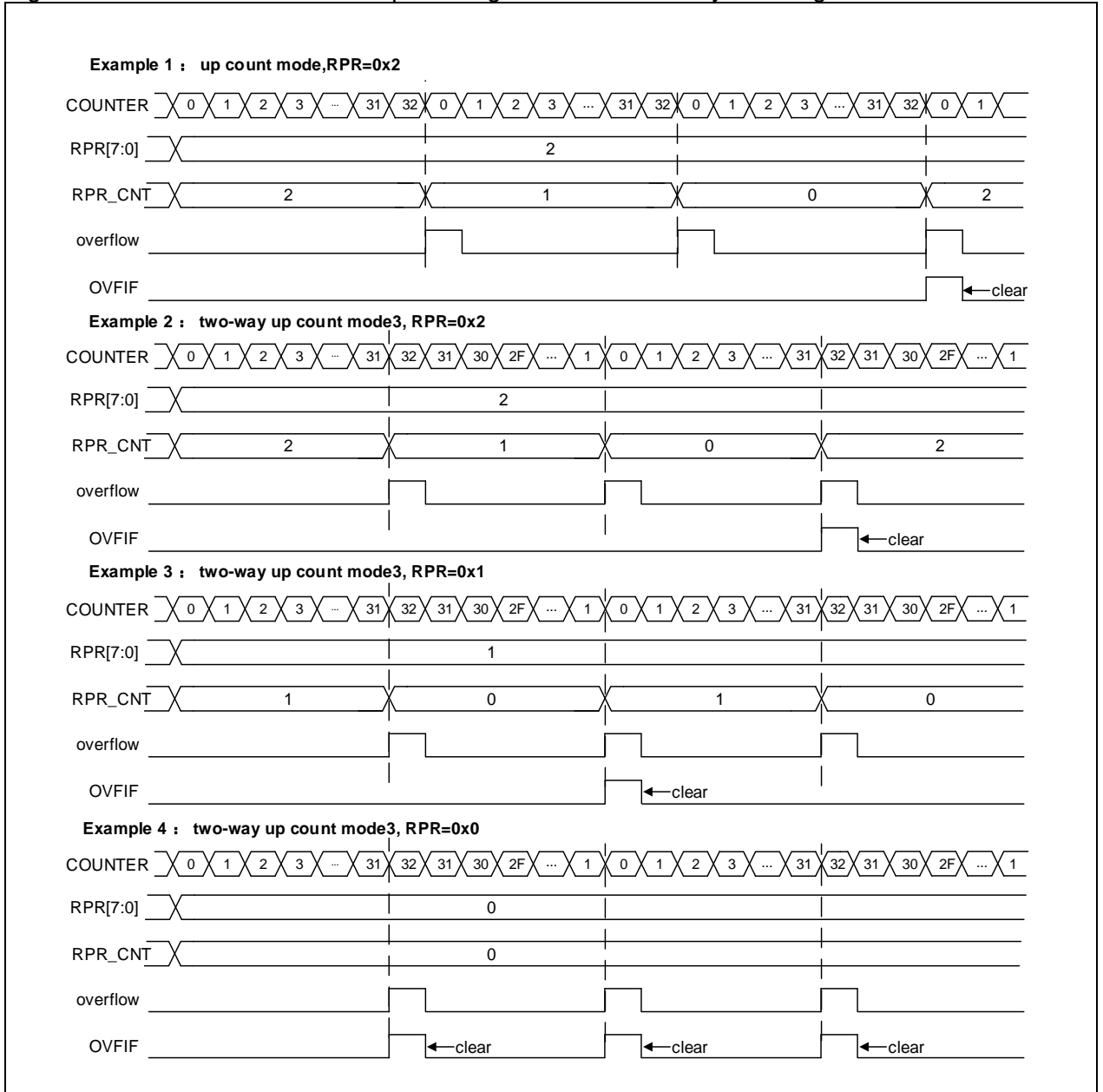
Figure 14-71 Counter timing diagram with internal clock divided by 1 and TMRx_PR=0x32



Repetition counter mode:

The TMRx_RPR register is used to set repetition counting mode. This mode is enabled when the repetition counter value is not equal to 0. In this mode, an overflow event is generated when a counter overflow occurs (RPR[7:0]+1). The repetition counter is decremented at each counter overflow. An overflow event is generated when the repetition counter reaches 0. The frequency of the overflow event can be adjusted by setting the repetition counter value.

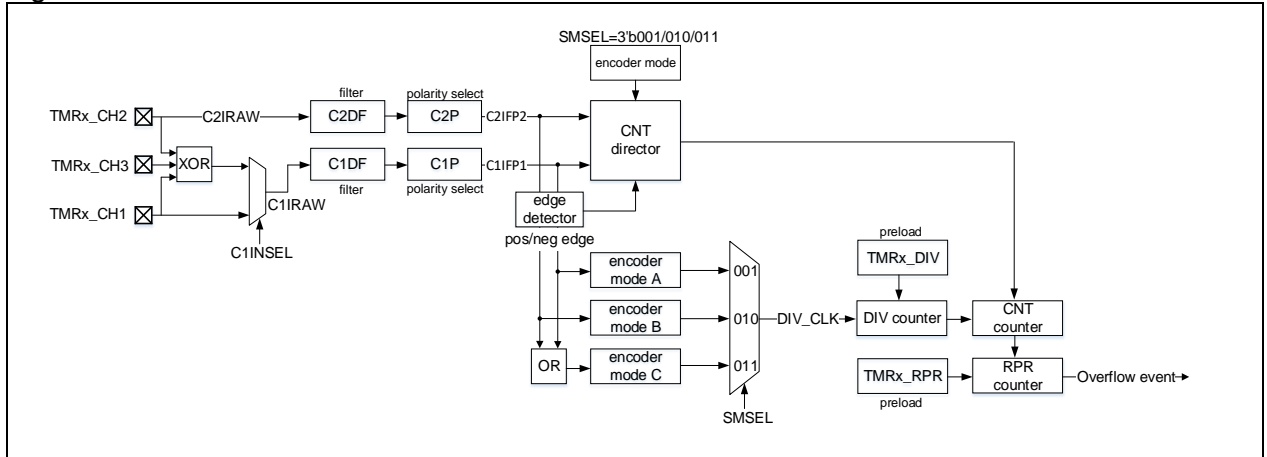
Figure 14-72 OVFI behavior in upcounting mode and two-way counting mode



Encoder interface mode

In this mode, the two input (TMRx_CH1 and TMRx_CH2) signals are required. Depending on the level on one input, the counter counts up or down on the edge of the other input signal. The OWCDIR bit indicates the direction of the counter, as shown in the table below:

Figure 14-73 Encoder mode structure



Encoder mode A: SMSEL=3'b001. The counter counts on the selected C1IFP1 edge (rising and falling edges), and the counting direction is dependent on the edge direction of C1IFP1 and the level of C2IFP2.

Encoder mode B: SMSEL=3'b010. The counter counts on the selected C2IFP2 edge (rising and falling edges), and the counting direction is dependent on the edge direction of C2IFP2 and the level of C1IFP1.

Encoder mode C: SMSEL=3'b011. The counter counts on both C1IFP1 and C2IFP2 edges (rising and falling edges). The counting direction is dependent on the C1IFP1 edge direction and C2IFP2 level, and C2IFP2 edge direction and C1IFP1 level.

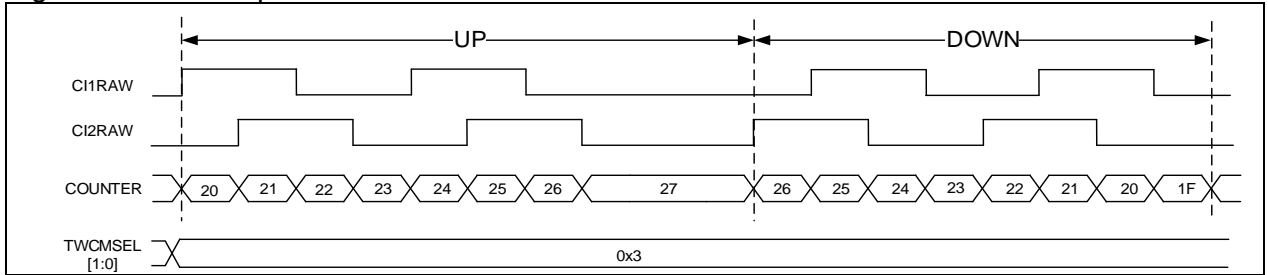
To use encoder mode, follow the procedures below:

- Set channel 1 input signal filtering through the C1DF[3:0] bit in the TMRx_CM1 register;
- Set channel 1 input signal active level through the C1P bit in the TMRx_CCTRL register
- Set channel 2 input signal filtering through the C2DF[3:0] bit in the TMRx_CM1 register;
- Set channel 2 input signal active level through the C2P bit in the TMRx_CCTRL register
- Set channel 1 as input mode through the C1C[1:0] bit in the TMRx_CM1 register;
- Set channel 2 as input mode through the C2C[1:0] bit in the TMRx_CM1 register
- Select encoder mode A (SMSEL=3'b001), encoder mode B (SMSEL=3'b010), or encoder mode C (SMSEL=3'b011) by setting the SMSEL[2:0] bit in the TMRx_STCTRL register
- Set counting cycles through the PR[15:0] bit in the TMRx_PR register
- Set counting frequency through the DIV[15:0] bit in the TMRx_DIV register
- Configure the corresponding IOs of TMRx_CH1 and TMRx_CH2 as multiplexed mode
- Enable counter through the TMREN bit in the TMRx_CTRL1 register

Table 14-13 Counting direction versus encoder signals

Active edge	Level on opposite signal (C1IFP1 to C2IFP2, C2INFP2 to C1IFP1)	C1IFP1 signal		C2IFP2 signal	
		Rising	Falling	Rising	Falling
Count on C1IFP1 only	High	Down	Up	No count	No count
	Low	Up	Down	No count	No count
Count on C2IFP2 only	High	No count	No count	Up	Down
	Low	No count	No count	Down	Up
Count on both C1IFP1 and C2IFP2	High	Down	Up	Up	Down
	Low	Up	Down	Down	Up

Figure 14-74 Example of encoder interface mode C



14.4.3.3 TMR input function

Each timer of TMR1 and TMR8 has four independent channels. Each channel can be configured as input or output. As input, each channel input is handle as follows:

- TMRx_CHx outputs the pre-processed CxIRAW. The C1INSEL bit is used to select the source of C1IRAW from TMRx_CH1 or the XOR-ed TMRx_CH1, TMRx_CH2 and TMRx_CH3.
The sources of C2IRAW, C3IRAW and C4IRAW are TMRx_CH2, TMRx_CH3 and TMRx_CH4, respectively.
- CxIRAW inputs digital filter and outputs filtered CxIF signal. The digital filter uses the CxDF bit to program sampling frequency and sampling times.
- CxIF inputs edge detector, and outputs the CxIFPx signal after edge selection. The edge selection depends on both CxP and CxCP bits. It is possible to select input rising edge, falling edge or both edges.
- CxIFPx inputs capture signal selector, and outputs the CxIN signal after capture signal selection. The capture signal selection is defined by CxC bit. It is possible to select CxIFPx, CyIFPx or STCI as CxIN source. Of those, CyIFPx (x≠y) is the CyIFPy signal that is from Y channel and processed by channel-x edge detector (for example, C1IFP2 is the channel 1's C1IFP1 signal that passed through channel 2 edge detection). The STCI comes from slave timer controller, and its source is selected by STIS bit.
- CxIN outputs the CxIPS signal that is divided by input channel divider. The divider factor can be defined as No division, /2, /4 or /8, by the CxIDIV bit. It can be used for filtering, selection, division and input capture of input signals.

Figure 14-75 Input/output channel 1 main circuit

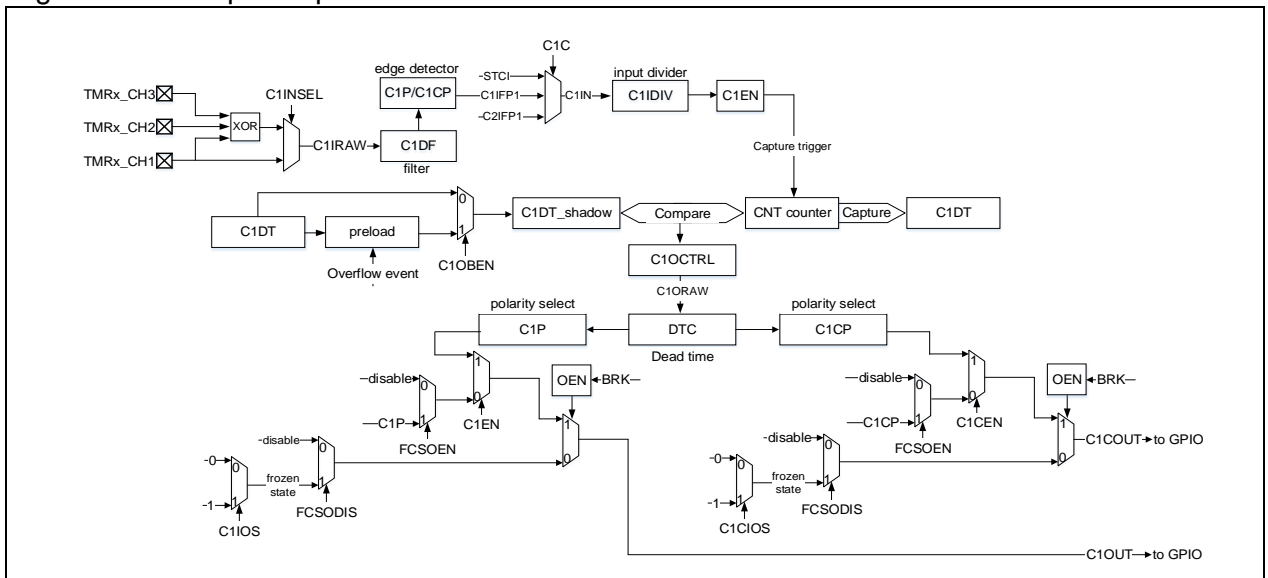
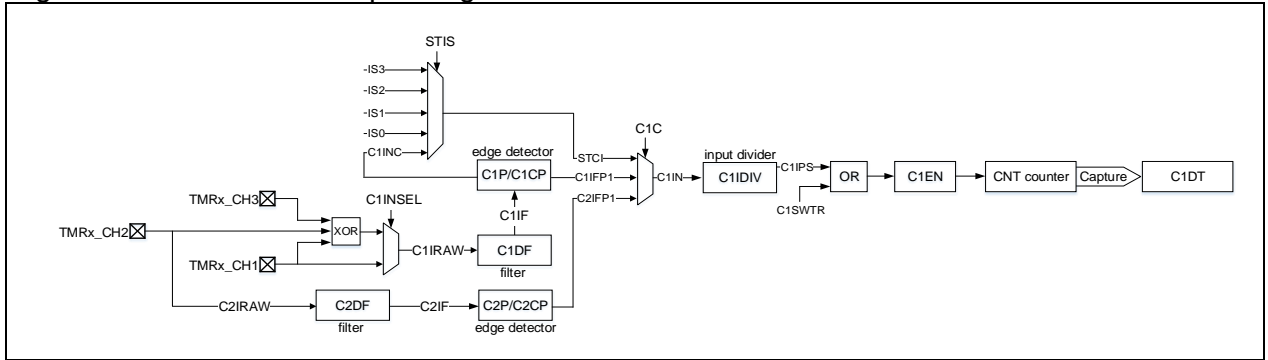


Figure 14-76 Channel 1 input stage



Input capture mode

In input mode, the TMRx_CxDT registers latch the current counter values after the selected trigger signal is detected, and the capture compare interrupt flag bit (CxIF) is set. An interrupt/DMA request will be generated if the CxIEN bit and CxDEN bit are enabled. If the selected trigger signal is detected when the CxIF is set to 1, the previous counter value will be overwritten by the current counter value, with setting CxRF=1.

To capture the rising edge of C1IN input, following the configuration procedure mentioned below:

- Set C1C=01 in the TMRx_CM1 register to select the C1IN as channel 1 input
- Set the filter bandwidth of C1IN signal (CxDF[3: 0])
- Set the active edge on the C1IN channel by writing C1P=0 (rising edge) in the TMRx_CCTR register
- Program C1IN signal capture frequency divider (C1DIV[1: 0])
- Enable channel 1 input capture (C1EN=1)
- If needed, enable the relevant interrupt or DMA request by setting the C1IEN bit in the TMRx_IDEN register or the C1DEN bit in the TMRx_IDEN register

Timer Input XOR function

The timer input pins (TMRx_CH1, TMRx_CH2 and TMRx_CH3) are connected to the channel 1 (selected by setting the C1INSE in the TMRx_CTRL2 register) through an XOR gate.

The XOR gate can be used to connect Hall sensors. For example, connect the three XOR inputs to the three Hall sensors respectively so as to calculate the position and speed of the rotation by analyzing three Hall sensor signals.

PWM input

PWM input mode is applied to channel 1 and 2. To use this mode, both C1IN and C2IN are mapped on the same TMRx_CHx, and the CxIFPx of either channel 1 or channel 2 must be configured as trigger input and slave mode controller is configured in reset mode.

The PWM input mode can be used to measure the period and duty cycle of the PWM input signal. For example, the user can measure the period and duty cycle of the PWM applied on channel 1 using the following procedures:

- Set C1C=2'b01: select C1IN for C1IFP1
- Set C1P=1'b0, select C1IFP1 rising edge active
- Set C2C=2'b10, select C2IN for C1IFP2
- Set C2P=1'b1, select C1IFP2 falling edge active
- Set STIS=3'b101, select the slave mode timer trigger signal as C1IFP1
- Set SMSEL=3'b110: configure the slave mode controller in reset mode
- Set C1EN=1'b1 and C2EN=1'b1. Enable channel 1 and input capture

After above configuration, the rising edge of channel 1 input signal will trigger the capture and stores the capture value into C1DT register, and it will reset the counter at the same time. The falling edge of the channel 1 input signal triggers the capture and stores the capture value into C2DT register. The period of the channel 1 input signal is calculated through C1DT, and its duty cycle through C2DT.

Figure 14-77 PWM input mode configuration example

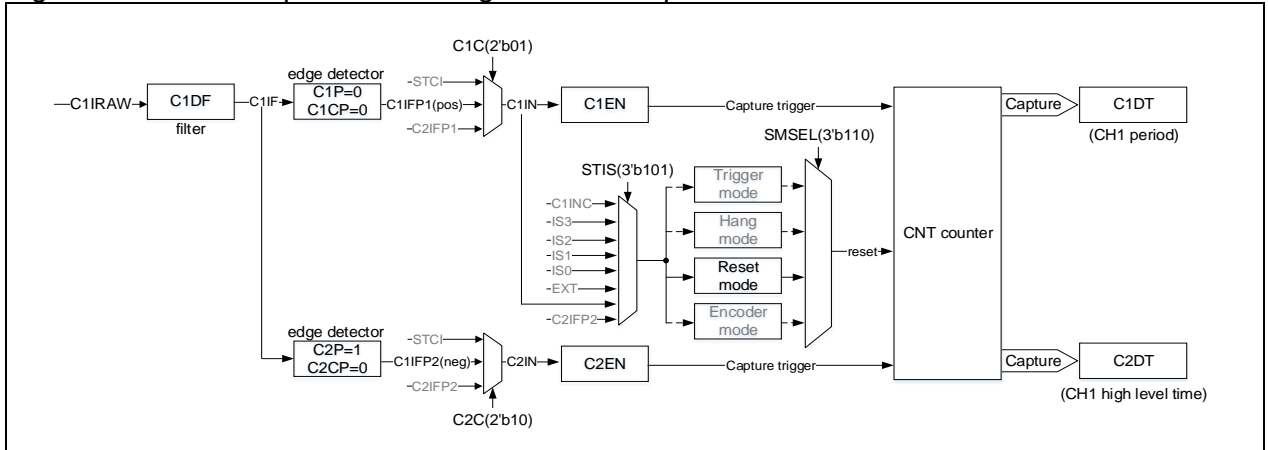
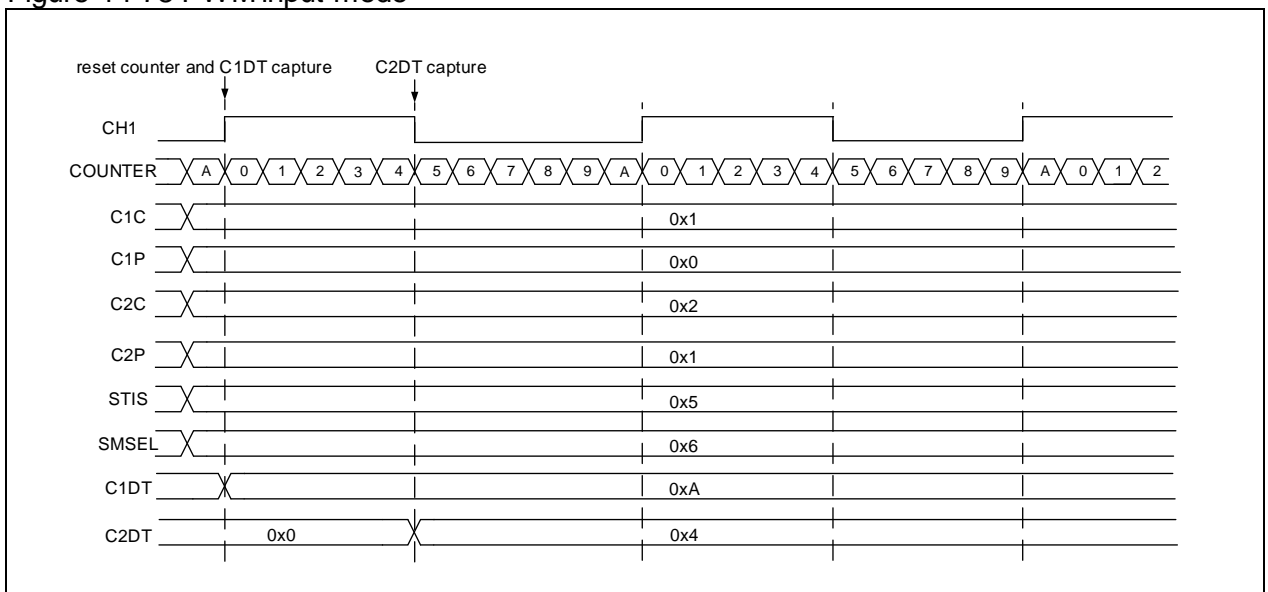


Figure 14-78 PWM input mode



14.4.3.4 TMR output function

The TMR output consists of a comparator and an output controller. It is used to program the period, duty cycle and polarity of the output signal. The advanced-control timer output function varies from one channel to one channel.

Figure 14-79 Channel output stage (channel 1 to 3)

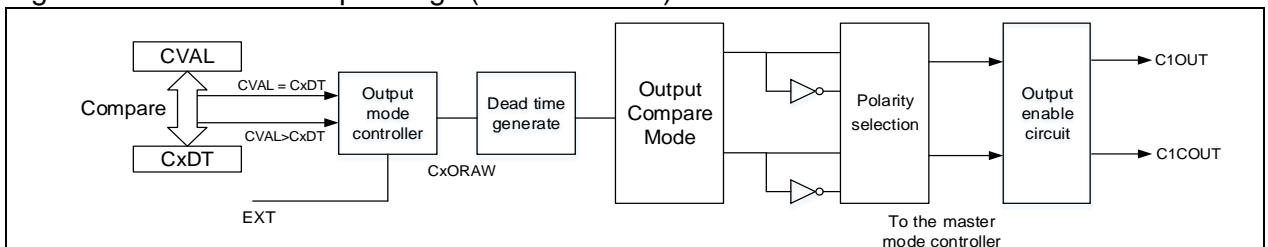
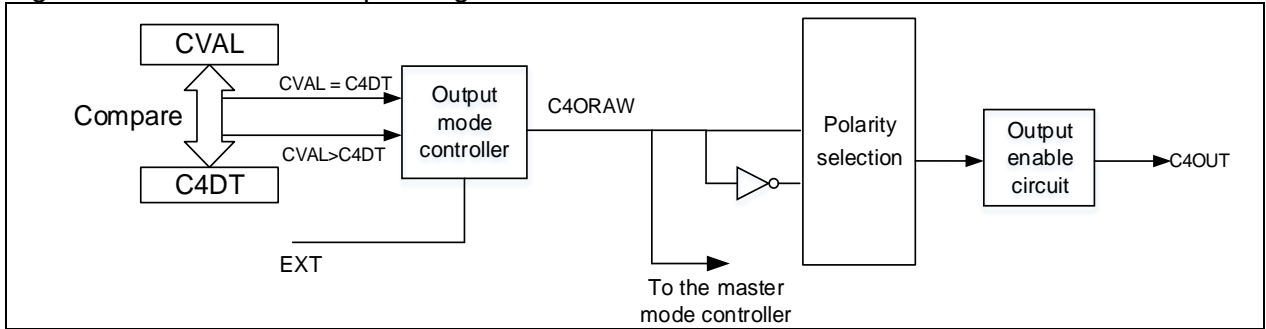


Figure 14-80 Channel 4 output stage



Output mode

Write $CxOEN[1:0] \neq 2'b00$ to configure the channel as output to implement multiple output modes. In this case, the counter value is compared with the value in the $TMRx_CxDT$ register, and the intermediate signal $CxORAW$ is generated according to the output mode selected by $CxOCTRL[2:0]$, which is sent to IO after being processed by the output control circuit. The period of the output signal is configured by the $TMRx_PR$ register, while the duty cycle by the $TMRx_CxDT$ register.

Output compare modes include:

PWM mode A:

Enable PWM mode A by setting $CxOCTRL=3'b110$. In upcounting mode, $C1ORAW$ outputs high when $TMRx_C1DT > TMRx_CVAL$, otherwise, it is low; In downcounting mode, $C1ORAW$ outputs low when $TMRx_C1DT < TMRx_CVAL$, otherwise, it is high.

To use PWM mode A, the following procedures are recommended:

- Set PWM periods through $TMRx_PR$ register
- Set PWM duty cycles through $TMRx_CxDT$
- Select PWM mode A by setting $CxOCTRL=3'b110$ in the $TMRx_CM1/CM2$ register
- Set counting frequency through $TMRx_DIV$ register
- Select counting mode by setting the $TWCMSEL[1:0]$ bit in the $TMRx_CTRL1$ register
- Select output polarity through the CxP and $CxCP$ bits in the $TMRx_CTRL$ register
- Enable channel output through the $CxEN$ and $CxCEN$ bits in the $TMRx_CTRL$ register
- Enable $TMRx$ output through the OEN bit in the $TMRx_BRK$ register
- Configure GPIOs corresponding to TMR output channels as multiplexed mode
- Enable $TMRx$ to start counting through the $TMREN$ bit in the $TMRx_CTRL1$ register.

PWM mode B:

Enable PWM mode B by setting $CxOCTRL=3'b111$. In upcounting mode, $C1ORAW$ outputs low when $TMRx_C1DT > TMRx_CVAL$, otherwise, it is high; In downcounting mode, $C1ORAW$ outputs high when $TMRx_C1DT < TMRx_CVAL$, otherwise, it is low.

Forced output mode:

Enable forced output mode by setting $CxOCTRL=3'b100/101$. In this case, the $CxORAW$ is forced to be the programmed level, regardless of the counter value. Despite this, the channel flag bit and DMA request still depend on the compare result.

Output compare mode:

Enable output compare mode by setting $CxOCTRL=3'b001/010/011$. In this case, when the counter value matches the value of the $CxDT$ register, the $CxORAW$ is forced high ($CxOCTRL=3'b001$), low ($CxOCTRL=3'b010$) or toggling ($CxOCTRL=3'b011$).

One-pulse mode:

This is a particular case of PWM mode. Enable one-pulse by setting $OCMEN=1$. In this mode, the comparison match is performed in the current counting period. The $TMREN$ bit is cleared as soon as the current counting is completed. Therefore, only one pulse is output. When in upcounting mode, the configuration must follow the rule: $CVAL < CxDT \leq PR$; in downcounting mode, $CVAL > CxDT$ is required.

Fast output mode:

Enable this mode by setting $CxOEN=1$. If enabled, the $CxORAW$ signal will not change when the

counter value matches the CxDT, but change at the beginning of the current counting period. In other words, the comparison result is advanced, so the comparison result between the counter value and the TMRx_CxDT register will determine the level of CxORAW in advance.

Figure 14-81 gives an example of output compare mode (toggle) with C1DT=0x3. When the counter value is equal to 0x3, C1OUT toggles.

Figure 14-82 gives an example of the combination between upcounting mode and PWM mode A. The output signal behaves when PR=0x32 but CxDT is configured with a different value.

Figure 14-83 gives an example of the combination between up/down counting mode and PWM mode A. The output signal behaves when PR=0x32 but CxDT is configured with a different value.

Figure 14-84 gives an example of the combination between upcounting mode and one-pulse PWM mode B. The counter only counts only one cycle, and the output signal sends only one pulse.

Figure 14-81 C1ORAW toggles when counter value matches the C1DT value

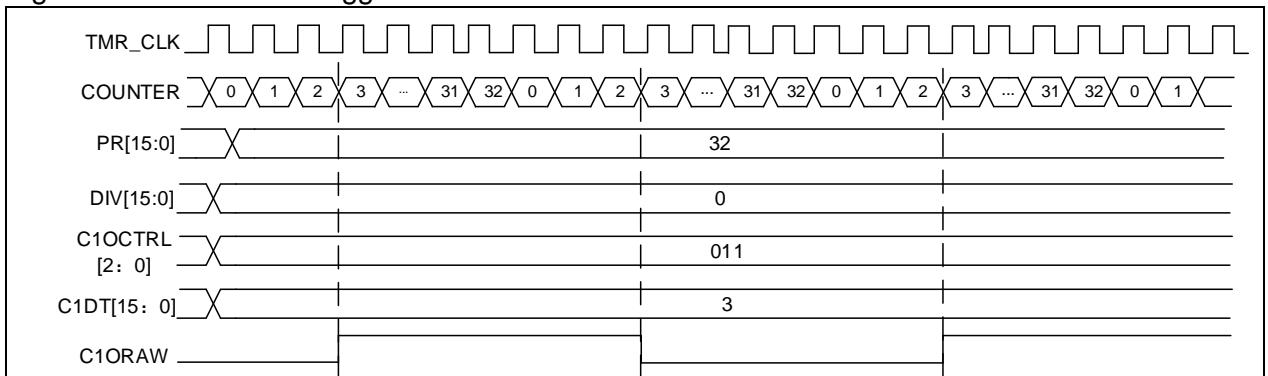


Figure 14-82 Upcounting mode and PWMmode A

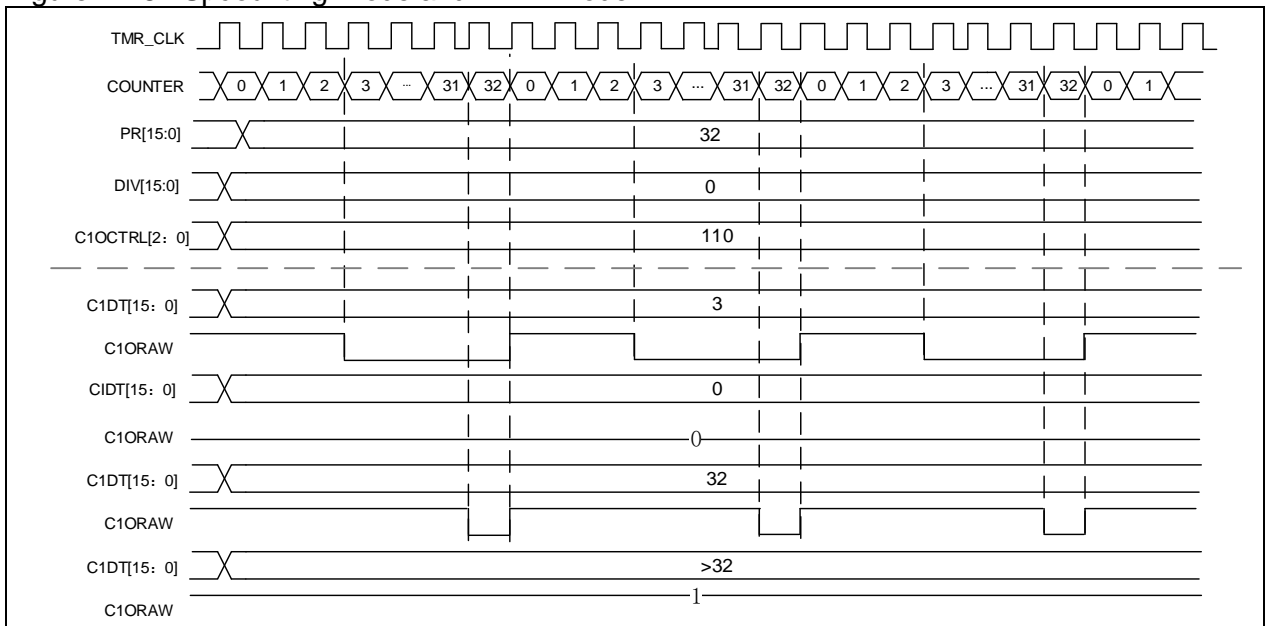


Figure 14-83 Up/down counting mode and PWM mode A

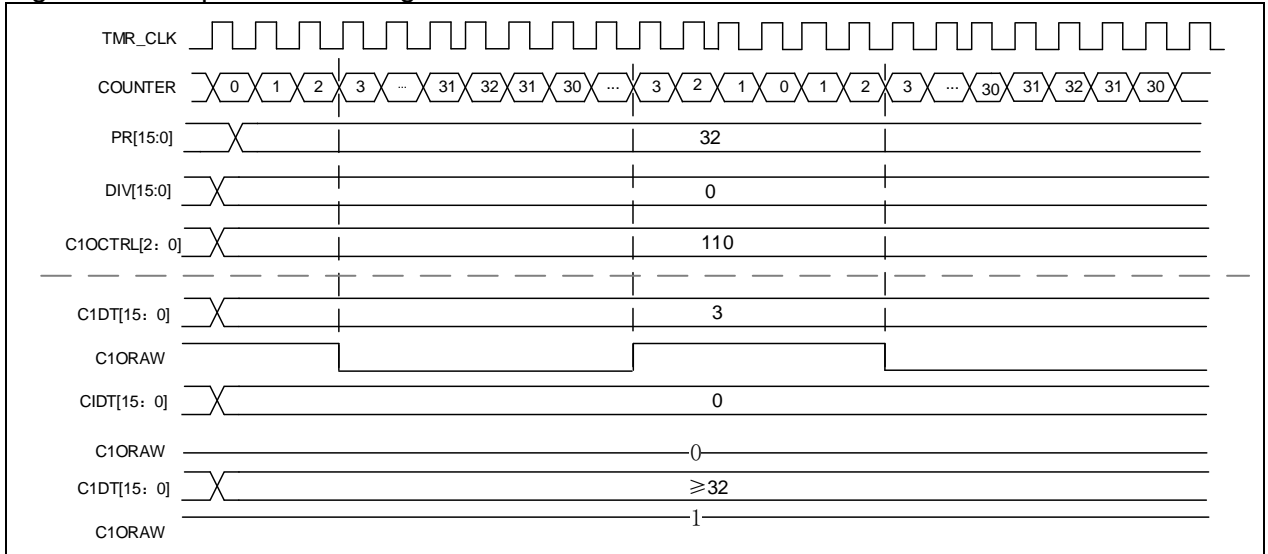
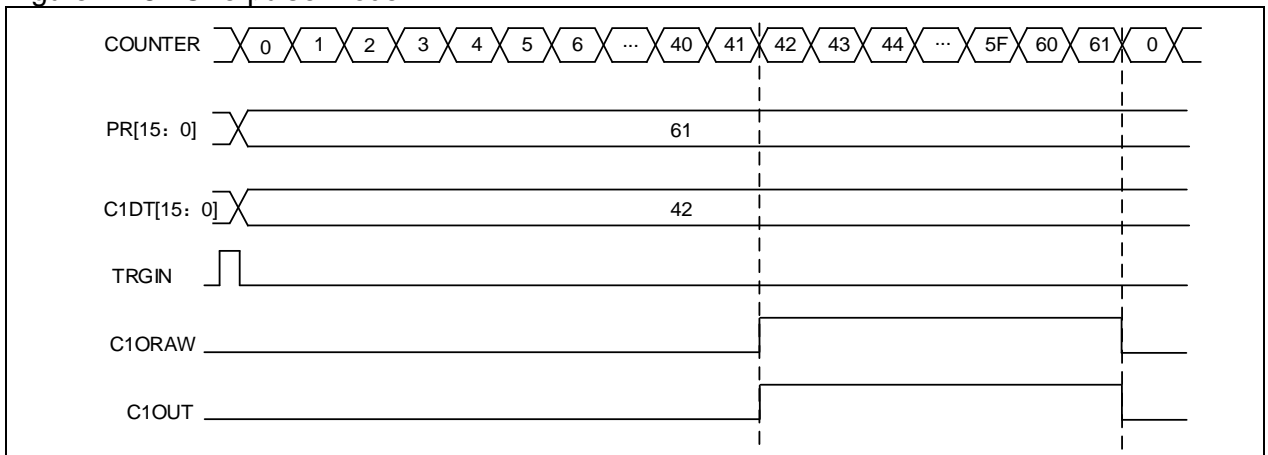


Figure 14-84 One-pulse mode



Master mode timer event output

When TMR is used as a master timer, one of the following source of signals can be selected as TRGOUT output to a slave mode timer. This is done by setting the PTOS bit in the TMRxCTRL2 register.

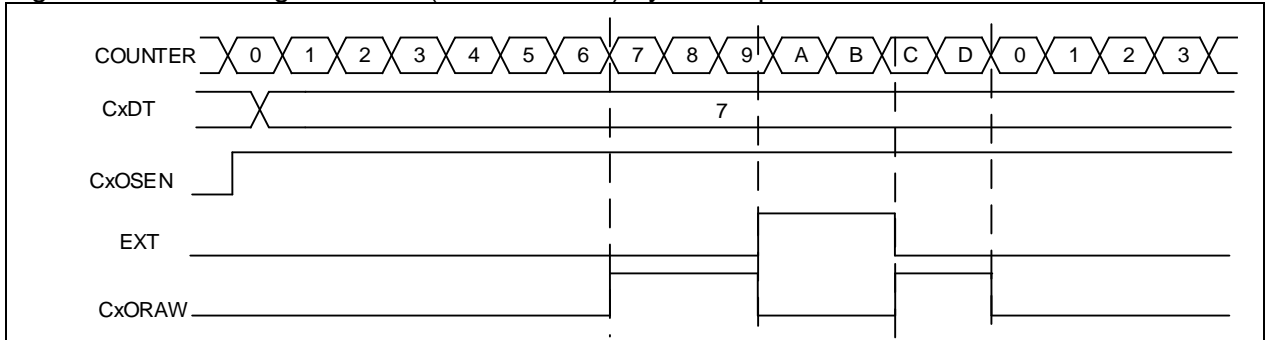
- PTOS=3'b000, TRGOUT output software overflow event (OVFSWTR bit in TMRx_SWEVT register)
- PTOS=3'b001, TRGOUT output counter enable
- PTOS=3'b010, TRGOUT output counter overflow event
- PTOS=3'b011, TRGOUT output capture and compare event
- PTOS=3'b100, TRGOUT output C1ORAW
- PTOS=3'b101, TRGOUT output C2ORAW
- PTOS=3'b110, TRGOUT output C3ORAW
- PTOS=3'b111, TRGOUT output C4ORAW

CxORAW clear

When the CxOSEN bit is set to 1, the CxORAW signal for a given channel is cleared by applying a high level to the EXT input. The CxORAW signal remains unchanged until the next overflow event.

This function can only be used in output capture or PWM modes, and does not work in forced output mode. [Figure 14-85](#) shows the example of clearing CxORAW. When the EXT input is high, the CxORAW signal, which was originally high, is driven low; when the EXT is low, the CxORAW signal outputs the corresponding level according to the comparison result between the counter value and CxDT value.

Figure 14-85 Clearing CxORAW(PWMmode A) by EXT input



Dead-time insertion

The channel 1 to 3 of the advanced-control timers contains a set of reverse channel output. This function is enabled by the CxCEN bit and its polarity is defined by CxCP. Refer to [Table 14-14](#) for more information about the output state of CxOUT and CxCOUT.

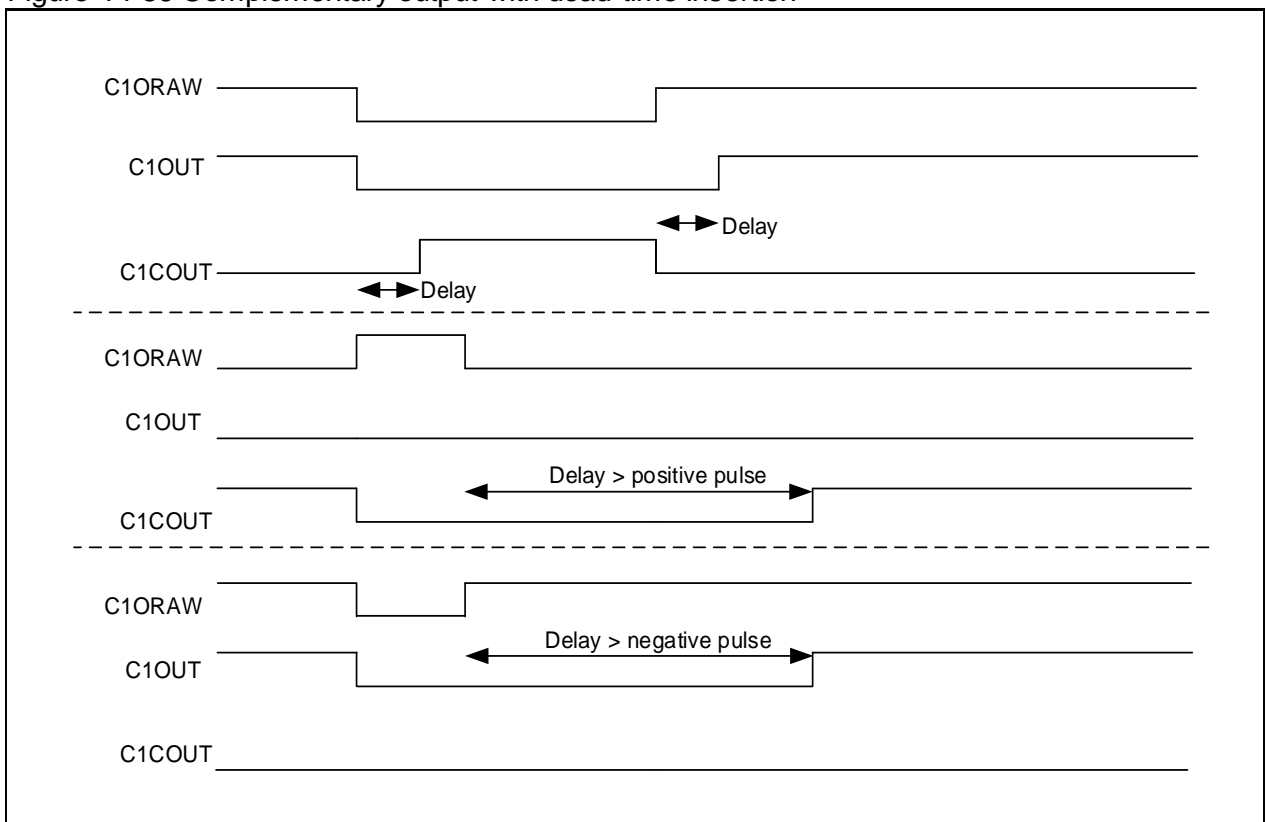
The dead-time is activated when switching to IDLEF state (OEN falling down to 0).

After setting both CxEN and CxCEN bits to 1, it is possible to insert dead-time of different durations using DTC[7:0] bit. After the dead-time insertion, the rising edge of the CxOUT is delayed compared to the rising edge of the reference signal; the rising edge of the CxCOUT is delayed compared to the falling edge of the reference signal.

If the delay is greater than the width of the active output, C1OUT and C1COUT will not generate corresponding pulses. Therefore, the dead-time should be less than the width of the active output.

[Figure 14-86](#) gives an example of dead-time insertion when CxP=0, CxCP=0, OEN=1, CxEN=1 and CxCEN=1.

Figure 14-86 Complementary output with dead-time insertion



14.4.3.5 TMR break function

When the break function is enabled (BRKEN=1), the CxOUT and CxCOUT are jointly controlled by OEN, FCSODIS, FCSOEN, CxIOS and CxCIOS. But, CxOUT and CxCOUT cannot be set both to active level at the same time. Please refer to 14-15 for more details.

The break source can be the break input pin or a clock failure event. The polarity is controlled by the

BRKV bit.

When a break event occurs, there are the following actions:

- The OEN bit is cleared asynchronously, and the channel output state is selected by setting the FCSODIS bit. This function works even if the MCU oscillator is off.
- Once OEN=0, the channel output level is defined by the CxIOS bit. If FCSODIS=0, the timer output is disabled, otherwise, the output enable remains high.
- When complementary outputs are used:
 - The outputs are first put in reset state, that is, inactive state (depending on the polarity). This is done asynchronously so that it works even if no clock is provided to the timer.
 - If the timer clock is still active, then the dead-time generator is activated. The CxIOS and CxCIOS bits are used to program the level after dead-time. Even in this case, the CxIOS and CxCIOS cannot be driven to their actual level at the same time. It should be noted that because of synchronization on OEN, the dead-time duration is usually longer than usual (around 2 clk_tmr clock cycles)
 - If FCSODIS=0, the timer releases the enable output, otherwise, it keeps the enable output; the enable output becomes high as soon as one of the CxEN and CxCEN bits becomes high.
- If the break interrupt or DMA request is enabled, the break status flag is set, and a break interrupt or DMA request can be generated.
- If AOEN=1, the OEN bit is automatically set again at the next overflow event.

Note: When the break input is active, the OEN cannot be set, nor the status flag, BRKIF can be cleared.

Figure 14-87 TMR output control

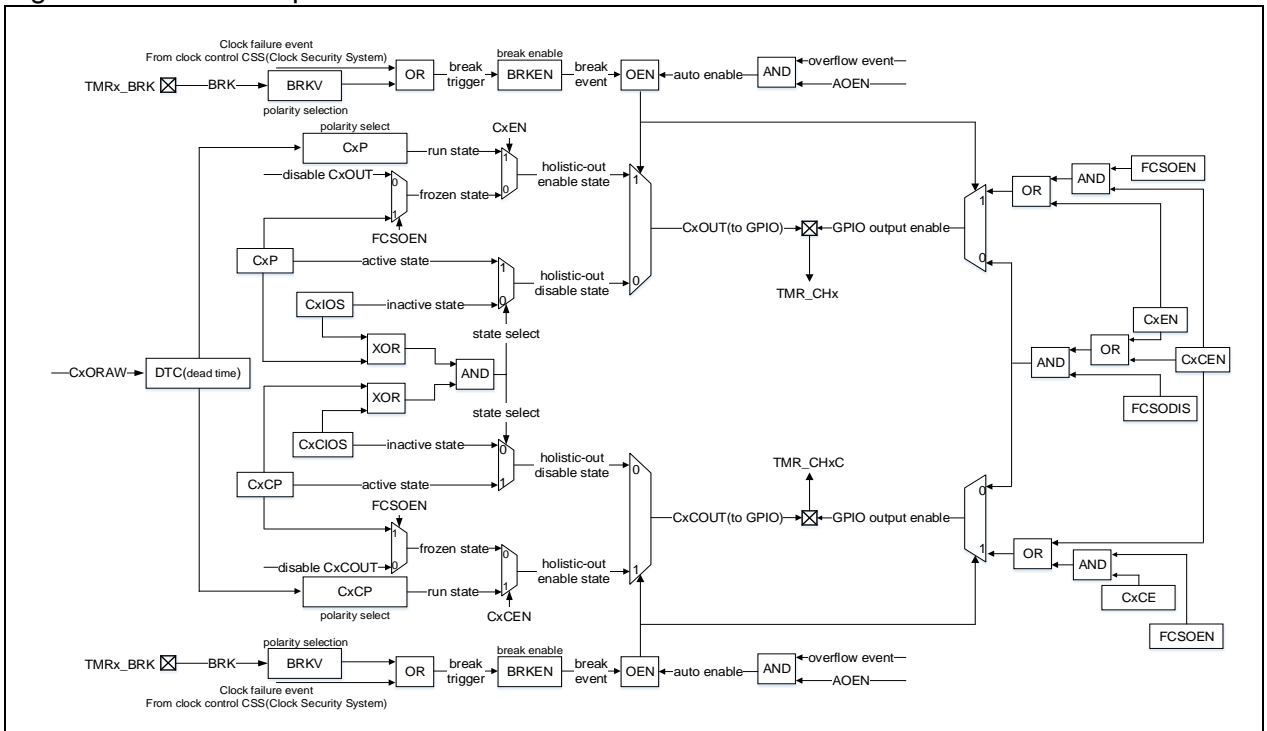
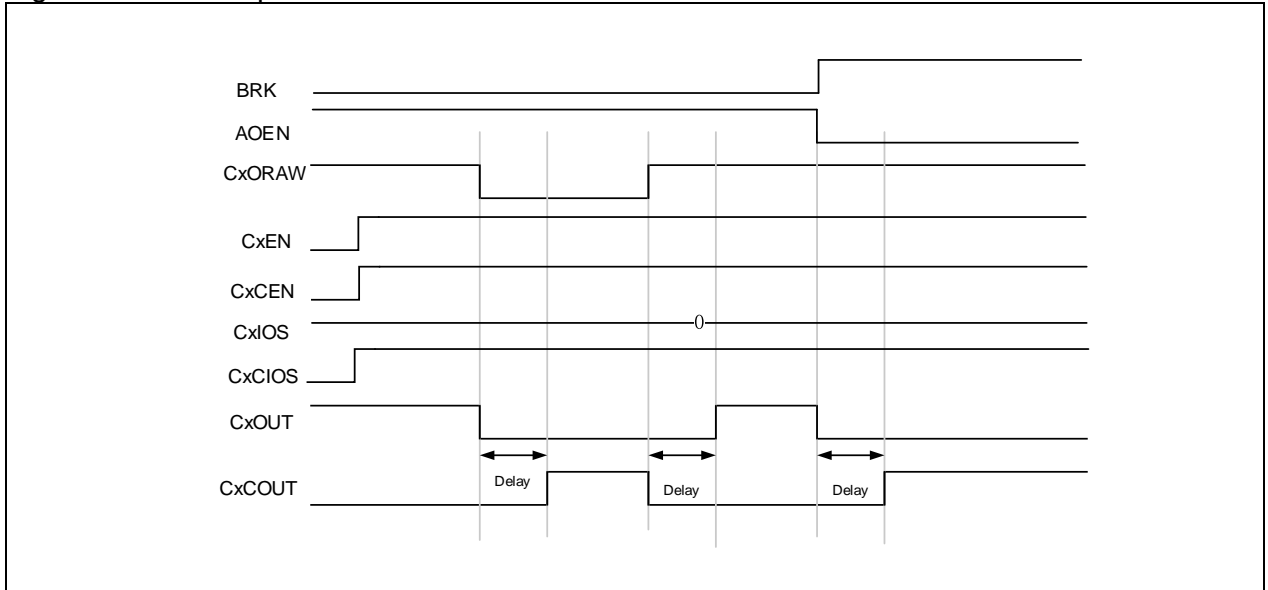


Figure 14-88 Example of TMR break function



14.4.3.6 TMR synchronization

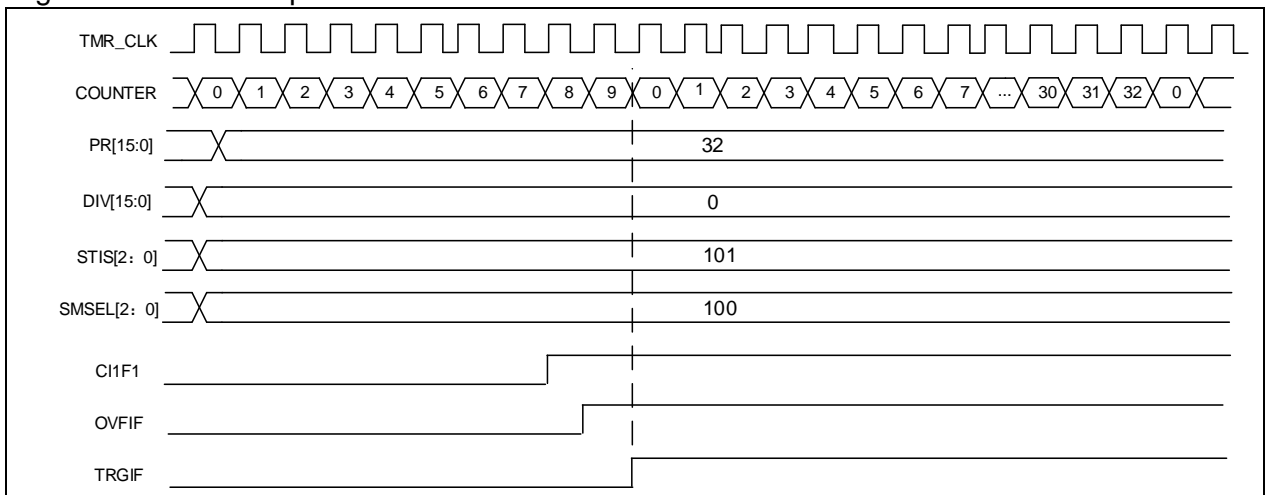
The timers are linked together internally for timer synchronization. Master timer is selected by setting the PTOS[2: 0] bit; Slave timer is selected by setting the SMSEL[2: 0] bit.

Slave modes include:

Slave mode: Reset mode

The counter and its prescaler can be reset by a selected trigger signal. An overflow event can be generated when OVFS=0.

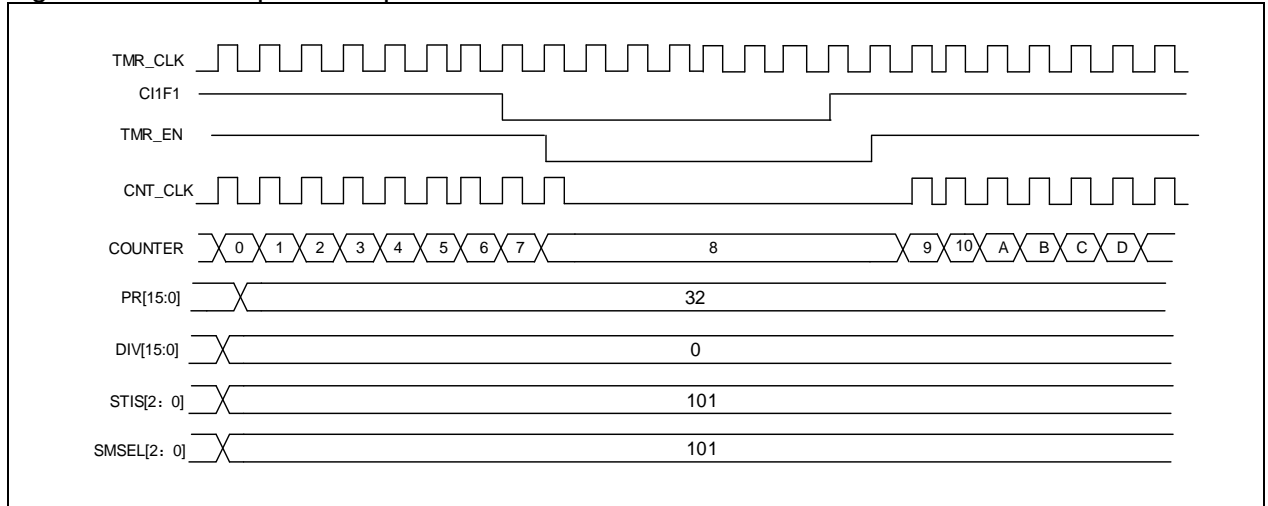
Figure 14-89 Example of reset mode



Slave mode: Suspend mode

In this mode, the counter is controlled by a selected trigger input. The counter starts counting when the trigger input is high and stops as soon as the trigger input is low.

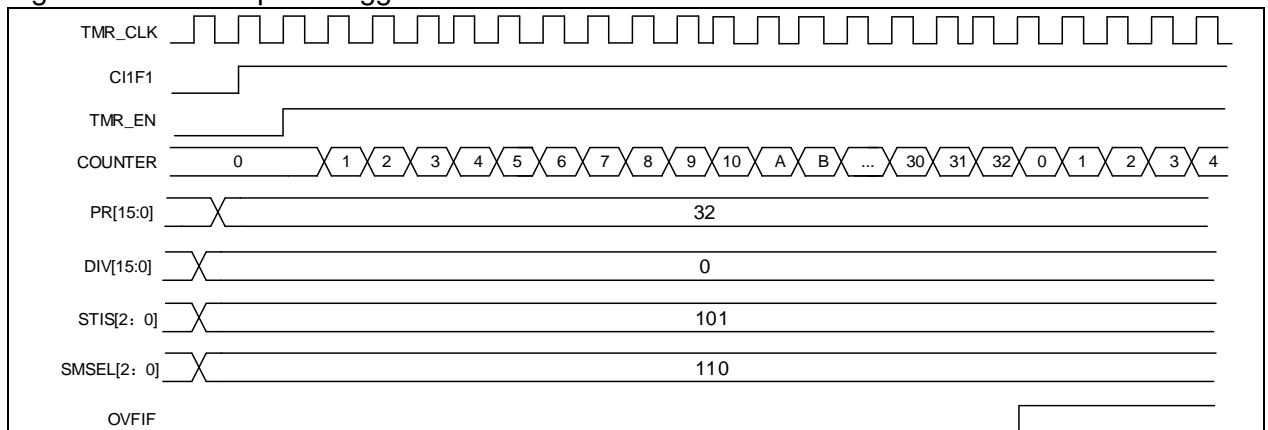
Figure 14-90 Example of suspend mode



Slave mode: Trigger mode

The counter can start counting on the rising edge of a selected trigger input (TMR_EN=1)

Figure 14-91 Example of trigger mode



Please refer to [Section 14.2.3.5](#) for more details.

14.4.3.7 Debug mode

When the microcontroller enters debug mode (Cortex™-M4F core halted), the TMRx counter stops counting by setting the TMRx_PAUSE in the DEBUG module.

14.4.4 TMR1 and TMR8 registers

These peripheral registers must be accessed by word (32 bits).

All TMR1 and TMR8 register are mapped into a 16-bit addressable space.

Table 14-14 TMR1 and TMR8 register map and reset value

Register	Offset	Reset value
TMRx_CTRL1	0x00	0x0000
TMRx_CTRL2	0x04	0x0000
TMRx_STCTRL	0x08	0x0000
TMRx_IDEN	0x0C	0x0000
TMRx_ISTS	0x10	0x0000
TMRx_SWEVT	0x14	0x0000
TMRx_CM1	0x18	0x0000
TMRx_CM2	0x1C	0x0000
TMRx_CCTRL	0x20	0x0000

TMRx_CVAL	0x24	0x0000
TMRx_DIV	0x28	0x0000
TMRx_PR	0x2C	0x0000
TMRx_RPR	0x30	0x0000
TMRx_C1DT	0x34	0x0000
TMRx_C2DT	0x38	0x0000
TMRx_C3DT	0x3C	0x0000
TMRx_C4DT	0x40	0x0000
TMRx_BRK	0x44	0x0000
TMRx_DMACTRL	0x48	0x0000
TMRx_DMA DT	0x4C	0x0000

14.4.4.1 TMR1 and TMR8 control register1 (TMRx_CTRL1)

Bit	Register	Reset value	Type	Description
Bit 15: 10	Reserved	0x00	resd	Kept at its default value.
Bit 9: 8	CLKDIV	0x0	rw	Clock division 00: Normal 01: Divided by 2 10: Divided by 4 11: Reserved
Bit 7	PRBEN	0x0	rw	Period buffer enable 0: Period buffer is disabled 1: Period buffer is enabled
Bit 6: 5	TWCMSEL	0x0	rw	Two-way counting mode selection 00: One-way counting mode, depending on the OWCDIR bit 01: Two-way counting mode 1, count up and down alternately, the CxIF bit is set only when the counter counts down 10: Two-way counting mode 2, count up and down alternately, the CxIF bit is set only when the counter counts up 11: Two-way counting mode 3, count up and down alternately, the CxIF bit is set when the counter counts up / down
Bit 4	OWCDIR	0x0	rw	One-way count direction 0: Up; 1: Down
Bit 3	OCMEN	0x0	rw	One cycle mode enable This bit is use to select whether to stop counting at an update event 0: The counter does not stop at an update event 1: The counter stops at an update event
Bit 2	OVFS	0x0	rw	Overflow event source This bit is used to select overflow event or DMA request sources. 0: Counter overflow, setting the OVFSWTR bit or overflow event generated by slave timer controller 1: Only counter overflow generates an overflow event
Bit 1	OVFEN	0x0	rw	Overflow event enable 0: Enabled 1: Disabled

Bit 0	TMREN	0x0	rw	TMR enable 0: Disabled 1: Enabled
-------	-------	-----	----	---

14.4.4.2 TMR1 and TMR8 control register2 (TMRx_CTRL2)

Bit	Register	Reset value	Type	Description
Bit 15	Reserved	0x00	resd	Kept at its default value.
Bit 14	C4IOS	0x0	rw	Channel 4 idle output state
Bit 13	C3CIOS	0x0	rw	Channel 3 complementary idle output state
Bit 12	C3IOS	0x0	rw	Channel 3 idle output state
Bit 11	C2CIOS	0x0	rw	Channel 2 complementary idle output state
Bit 10	C2IOS	0x0	rw	Channel 2 idle output state
Bit 9	C1CIOS	0x0	rw	Channel 1 complementary idle output state OEN = 0 after dead-time: 0: C1OUTL=0 1: C1OUTL=1
Bit 8	C1IOS	0x0	rw	Channel 1 idle output state OEN = 0 after dead-time: 0: C1OUT=0 1: C1OUT=1
Bit 7	C1INSEL	0x0	rw	C1IN selection 0: CH1 pin is connected to C1IRAW input 1: The XOR result of CH1, CH2 and CH3 pins is connected to C1IRAW input
Bit 6: 4	PTOS	0x0	rw	Master TMR output selection This field is used to select the TMRx signal sent to the slave timer. 000: Reset 001: Enable 010: Update 011: Compare pulse 100: C1ORAW signal 101: C2ORAW signal 110: C3ORAW signal 111: C4ORAW signal
Bit 3	DRS	0x0	rw	DMA request source 0: Capture/compare event 1: Overflow event
Bit 2	CCFS	0x0	rw	Channel control bit flash selection This bit only acts on channels that have complementary output. If the channel control bits are buffered: 0: Control bits are updated by setting the HALL bit 1: Control bits are updated by setting the HALL bit or a rising edge on TRGIN.
Bit 1	Reserved	0x0	resd	Kept at its default value.
Bit 0	CBCTRL	0x0	rw	Channel buffer control This bit acts on channels that have complementary output. 0: CxEN, CxCEN and CxOCTRL bits are not buffered. 1: CxEN, CxCEN and CxOCTRL bits are not buffered.

14.4.4.3 TMR1 and TMR8 slave timer control register (TMRx_STCTRL)

Bit	Register	Reset value	Type	Description
Bit 15	ESP	0x0	rw	External signal polarity 0: High or rising edge 1: Low or falling edge
Bit 14	ECMBEN	0x0	rw	External clock mode B enable This bit is used to enable external clock mode B 0: Disabled 1: Enabled
Bit 13: 12	ESDIV	0x0	rw	External signal divide This field is used to select the frequency division of an external trigger 00: Normal 01: Divided by 2 10: Divided by 4 11: Divided by 8
Bit 11: 8	ESF	0x0	rw	External signal filter This field is used to filter an external signal. The external signal can be sampled only after it has been generated N times 0000: No filter, sampling by f_{DTS} 0001: $f_{SAMPLING} = f_{CK_INT}$, N=2 0010: $f_{SAMPLING} = f_{CK_INT}$, N=4 0011: $f_{SAMPLING} = f_{CK_INT}$, N=8 0100: $f_{SAMPLING} = f_{DTS}/2$, N=6 0101: $f_{SAMPLING} = f_{DTS}/2$, N=8 0110: $f_{SAMPLING} = f_{DTS}/4$, N=6 0111: $f_{SAMPLING} = f_{DTS}/4$, N=8 1000: $f_{SAMPLING} = f_{DTS}/8$, N=6 1001: $f_{SAMPLING} = f_{DTS}/8$, N=8 1010: $f_{SAMPLING} = f_{DTS}/16$, N=5 1011: $f_{SAMPLING} = f_{DTS}/16$, N=6 1100: $f_{SAMPLING} = f_{DTS}/16$, N=8 1101: $f_{SAMPLING} = f_{DTS}/32$, N=5 1110: $f_{SAMPLING} = f_{DTS}/32$, N=6 1111: $f_{SAMPLING} = f_{DTS}/32$, N=8
Bit 7	STS	0x0	rw	Subordinate TMR synchronization If enabled, master and slave timer can be synchronized. 0: Disabled 1: Enabled
Bit 6: 4	STIS	0x0	rw	Subordinate TMR input selection This field is used to select the subordinate TMR input. 000: Internal selection 0 (IS0) 001: Internal selection 1 (IS1) 010: Internal selection 2 (IS2) 011: Internal selection 3 (IS3) 100: C1IRAW input detector (C1INC) 101: Filtered input 1 (C1IFP1) 110: Filtered input 2 (C2IFP2) 111: External input (EXT) Pleaser refer to Table 14-12 for more information on ISx for each timer.
Bit 3	Reserved	0x0	resd	Kept at its default value.

Bit 2: 0	SMSEL	0x0	rw	<p>Subordinate TMR mode selection</p> <p>000: Slave mode is disabled</p> <p>001: Encoder mode A</p> <p>010: Encoder mode B</p> <p>011: Encoder mode C</p> <p>100: Reset mode — Rising edge of the TRGIN input reinitializes the counter</p> <p>101: Suspend mode — The counter starts counting when the TRGIN is high</p> <p>110: Trigger mode — A trigger event is generated at the rising edge of the TRGIN input</p> <p>111: External clock mode A — Rising edge of the TRGIN input clocks the counter</p> <p>Note: Please refer to count mode section for the details on encoder mode A/B/C.</p>
----------	-------	-----	----	--

14.4.4.4 TMR1 and TMR8 DMA/interrupt enable register (TMRx_IDEN)

Bit	Register	Reset value	Type	Description
Bit 15	Reserved	0x0	resd	Kept at its default value.
Bit 14	TDEN	0x0	rw	<p>Trigger DMA request enable</p> <p>0: Disabled</p> <p>1: Enabled</p>
Bit 13	HALLDE	0x0	rw	<p>HALL DMA request enable</p> <p>0: Disabled</p> <p>1: Enabled</p>
Bit 12	C4DEN	0x0	rw	<p>Channel 4 DMA request enable</p> <p>0: Disabled</p> <p>1: Enabled</p>
Bit 11	C3DEN	0x0	rw	<p>Channel 3 DMA request enable</p> <p>0: Disabled</p> <p>1: Enabled.</p>
Bit 10	C2DEN	0x0	rw	<p>Channel 2 DMA request enable</p> <p>0: Disabled</p> <p>1: Enabled</p>
Bit 9	C1DEN	0x0	rw	<p>Channel 1 DMA request enable</p> <p>0: Disabled</p> <p>1: Enabled</p>
Bit 8	OVFDEN	0x0	rw	<p>Overflow event DMA request enable</p> <p>0: Disabled</p> <p>1: Enabled</p>
Bit 7	BRKIE	0x0	rw	<p>Break interrupt enable</p> <p>0: Disabled</p> <p>1: Enabled</p>
Bit 6	TIEN	0x0	rw	<p>Trigger interrupt enable</p> <p>0: Disabled</p> <p>1: Enabled</p>
Bit 5	HALLIEN	0x0	rw	<p>HALL interrupt enable</p> <p>0: Disabled</p> <p>1: Enabled</p>
Bit 4	C4IEN	0x0	rw	<p>Channel 4 interrupt enable</p> <p>0: Disabled</p> <p>1: Enabled</p>
Bit 3	C3IEN	0x0	rw	<p>Channel 3 interrupt enable</p>

				0: Disabled 1: Enabled
Bit 2	C2IEN	0x0	rw	Channel 2 interrupt enable 0: Disabled 1: Enabled
Bit 1	C1IEN	0x0	rw	Channel 1 interrupt enable 0: Disabled 1: Enabled
Bit 0	OVFIEN	0x0	rw	Overflow interrupt enable 0: Disabled 1: Enabled

14.4.4.5 TMR1 and TMR8 interrupt status register (TMRx_ISTS)

Bit	Register	Reset value	Type	Description
Bit 15: 13	Reserved	0x0	resd	Kept at its default value.
Bit 12	C4RF	0x0	rw0c	Channel 4 recapture flag Please refer to C1RF description.
Bit 11	C3RF	0x0	rw0c	Channel 3 recapture flag Please refer to C1RF description.
Bit 10	C2RF	0x0	rw0c	Channel 2 recapture flag Please refer to C1RF description.
Bit 9	C1RF	0x0	rw0c	Channel 1 recapture flag This bit indicates whether a recapture is detected when C1IF=1. This bit is set by hardware, and cleared by writing "0". 0: No capture is detected 1: Capture is detected.
Bit 8	Reserved	0x0	resd	Default value
Bit 7	BRKIF	0x0	rw0c	Break interrupt flag This bit indicates whether the break input is active or not. It is set by hardware and cleared by writing "0" 0: Inactive level 1: Active level
Bit 6	TRGIF	0x0	rw0c	Trigger interrupt flag This bit is set by hardware on a trigger event. It is cleared by writing "0". 0: No trigger event occurs 1: Trigger event is generated. Trigger event: an active edge is detected on TRGIN input, or any edge in suspend mode.
Bit 5	HALLIF	0x0	rw0c	HALL interrupt flag This bit is set by hardware on HALL event. It is cleared by writing "0". 0: No Hall event occurs. 1: Hall event is detected. HALL even: CxEN, CxCEN and CxOCTRL are updated.
Bit 4	C4IF	0x0	rw0c	Channel 4 interrupt flag Please refer to C1IF description.
Bit 3	C3IF	0x0	rw0c	Channel 3 interrupt flag Please refer to C1IF description.
Bit 2	C2IF	0x0	rw0c	Channel 2 interrupt flag Please refer to C1IF description.
Bit 1	C1IF	0x0	rw0c	Channel 1 interrupt flag If the channel 1 is configured as input mode:

				<p>This bit is set by hardware on a capture event. It is cleared by software or read access to the TMRx_C1DT</p> <p>0: No capture event occurs 1: Capture event is generated</p> <p>If the channel 1 is configured as output mode:</p> <p>This bit is set by hardware on a compare event. It is cleared by software.</p> <p>0: No compare event occurs 1: Compare event is generated</p>
Bit 0	OVFIF	0x0	rw0c	<p>Overflow interrupt flag</p> <p>This bit is set by hardware on an overflow event. It is cleared by software.</p> <p>0: No overflow event occurs 1: Overflow event is generated. If OVFE=0 and OVFS=0 in the TMRx_CTRL1 register:</p> <ul style="list-style-type: none"> - An overflow event is generated when OVFG= 1 in the TMRx_SWEVE register; - An overflow event is generated when the counter CVAL is reinitialized by a trigger event.

14.4.4.6 Software event register (TMRx_SWEVT)

Bit	Register	Reset value	Type	Description
Bit 15: 8	Reserved	0x000	resd	Kept at its default value.
Bit 7	BRKSWTR	0x0	wo	<p>Break event triggered by software</p> <p>This bit is set by software to generate a break event.</p> <p>0: No effect 1: Generate a break event.</p>
Bit 6	TRGSWTR	0x0	rw	<p>Trigger event triggered by software</p> <p>This bit is set by software to generate a trigger event.</p> <p>0: No effect 1: Generate a trigger event.</p>
Bit 5	HALLSWTR	0x0	wo	<p>HALL event triggered by software</p> <p>This bit is set by software to generate a HALL event.</p> <p>0: No effect 1: Generate a HALL event.</p> <p>Note: This bit acts only on channels that have complementary output.</p>
Bit 4	C4SWTR	0x0	wo	<p>Channel 4 event triggered by software</p> <p>Please refer to C1M description.</p>
Bit 3	C3SWTR	0x0	wo	<p>Channel 3 event triggered by software</p> <p>Please refer to C1M description.</p>
Bit 2	C2SWTR	0x0	wo	<p>Channel 2 event triggered by software</p> <p>Please refer to C1M description</p>
Bit 1	C1SWTR	0x0	wo	<p>Channel 1 event triggered by software</p> <p>This bit is set by software to generate a channel 1 event.</p> <p>0: No effect 1: Generate a channel 1 event.</p>
Bit 0	OVFSWTR	0x0	wo	<p>Overflow event triggered by software</p> <p>This bit is set by software to generate an overflow event.</p> <p>0: No effect 1: Generate an overflow event.</p>

14.4.4.7 TMR1 and TMR8 channel mode register1 (TMRx_CM1)

The channel can be used in input (capture mode) or output (compare mode). The direction of a channel is defined by the corresponding CxC bits. All the other bits of this register have different functions in input and output modes. The CxOx describes its function in output mode when the channel is in output mode, while the Cxlx describes its function in output mode when the channel is in input mode. Attention must be given to the fact that the same bit can have different functions in input mode and output mode.

Output compare mode:

Bit	Register	Reset value	Type	Description
Bit 15	C2OSEN	0x0	rw	Channel 2 output switch enable
Bit 14: 12	C2OCTRL	0x0	rw	Channel 2 output control
Bit 11	C2OBEN	0x0	rw	Channel 2 output buffer enable
Bit 10	C2OIEN	0x0	rw	Channel 2 output enable immediately
				Channel 2 configuration This field is used to define the direction of the channel 2 (input or output), and the selection of input pin when C2EN='0': 00: Output 01: Input, C2IN is mapped on C2IFP2 10: Input, C2IN is mapped on C1IFP2 11: Input, C2IN is mapped on STCI. This mode works only when the internal trigger input is selected by STIS register.
Bit 9: 8	C2C	0x0	rw	
Bit 7	C1OSEN	0x0	rw	Channel 1 output switch enable 0: C1ORAW is not affected by EXT input. 1: Once a high level is detect on EXT input, clear C1ORAW.
				Channel 1 output control This field defines the behavior of the original signal C1ORAW. 000: Disconnected. C1ORAW is disconnected from C1OUT; 001: C1ORAW is high when TMRx_CVAL=TMRx_C1DT 010: C1ORAW is low when TMRx_CVAL=TMRx_C1DT 011: Switch C1ORAW level when TMRx_CVAL=TMRx_C1DT 100: C1ORAW is forced low 101: C1ORAW is forced high. 110: PWM mode A —OWCDIR=0, C1ORAW is high once TMRx_C1DT>TMRx_CVAL, else low; —OWCDIR=1, C1ORAW is low once TMRx_C1DT <TMRx_CVAL, else high; 111: PWM mode B —OWCDIR=0, C1ORAW is low once TMRx_C1DT >TMRx_CVAL, else high; —OWCDIR=1, C1ORAW is high once TMRx_C1DT <TMRx_CVAL, else low. <i>Note: In the configurations other than 000', the C1OUT is connected to C1ORAW. The C1OUT output level is not only subject to the changes of C1ORAW, but also the output polarity set by CCTRL.</i>
Bit 6: 4	C1OCTRL	0x0	rw	
Bit 3	C1OBEN	0x0	rw	Channel 1 output buffer enable 0: Buffer function of TMRx_C1DT is disabled. The new value written to the TMRx_C1DT takes effect immediately.

				1: Buffer function of TMRx_C1DT is enabled. The value to be written to the TMRx_C1DT is stored in the buffer register, and can be sent to the TMRx_C1DT register only on an overflow event.
Bit 2	C1OIEN	0x0	rw	<p>Channel 1 output enable immediately</p> <p>In PWM mode A or B, this bit is used to accelerate the channel 1 output's response to the trigger event.</p> <p>0: Need to compare the CVAL with C1DT before generating an output</p> <p>1: No need to compare the CVAL and C1DT. An output is generated immediately when a trigger event occurs.</p>
Bit 1: 0	C1C	0x0	rw	<p>Channel 1 configuration</p> <p>This field is used to define the direction of the channel 1 (input or output), and the selection of input pin when C1EN='0':</p> <p>00: Output</p> <p>01: Input, C1IN is mapped on C1IFP1</p> <p>10: Input, C1IN is mapped on C2IFP1</p> <p>11: Input, C1IN is mapped on STCI. This mode works only when the internal trigger input is selected by STIS.</p>

Input capture mode :

Bit	Register	Reset value	Type	Description
Bit 15: 12	C2DF	0x0	rw	Channel 2 digital filter
Bit 11: 10	C2IDIV	0x0	rw	Channel 2 input divider
Bit 9: 8	C2C	0x0	rw	<p>Channel 2 configuration</p> <p>This field is used to define the direction of the channel 2 (input or output), and the selection of input pin when C2EN='0':</p> <p>00: Output</p> <p>01: Input, C2IN is mapped on C2IFP2</p> <p>10: Input, C2IN is mapped on C1IFP2</p> <p>11: Input, C2IN is mapped on STCI. This mode works only when the internal trigger input is selected by STIS.</p>
Bit 7: 4	C1DF	0x0	rw	<p>Channel 1 digital filter</p> <p>This field defines the digital filter of the channel 1. N stands for the number of filtering, indicating that the input edge can pass the filter only after N sampling events.</p> <p>0000: No filter, sampling is done at f_{DTS}</p> <p>1000: $f_{SAMPLING}=f_{DTS}/8$, N=6</p> <p>0001: $f_{SAMPLING}=f_{CK_INT}$, N=2</p> <p>1001: $f_{SAMPLING}=f_{DTS}/8$, N=8</p> <p>0010: $f_{SAMPLING}=f_{CK_INT}$, N=4</p> <p>1010: $f_{SAMPLING}=f_{DTS}/16$, N=5</p> <p>0011: $f_{SAMPLING}=f_{CK_INT}$, N=8</p> <p>1011: $f_{SAMPLING}=f_{DTS}/16$, N=6</p> <p>0100: $f_{SAMPLING}=f_{DTS}/2$, N=6</p> <p>1100: $f_{SAMPLING}=f_{DTS}/16$, N=8</p> <p>0101: $f_{SAMPLING}=f_{DTS}/2$, N=8</p> <p>1101: $f_{SAMPLING}=f_{DTS}/32$, N=5</p> <p>0110: $f_{SMPLING}=f_{DTS}/4$, N=6</p> <p>1110: $f_{SAMPLING}=f_{DTS}/32$, N=6</p> <p>0111: $f_{SAMPLING}=f_{DTS}/4$, N=8</p> <p>1111: $f_{SAMPLING}=f_{DTS}/32$, N=8</p>
Bit 3: 2	C1IDIV	0x0	rw	<p>Channel 1 input divider</p> <p>This field defines Channel 1 input divider.</p>

				00: No divider. An input capture is generated at each active edge. 01: An input compare is generated every 2 active edges 10: An input compare is generated every 4 active edges 11: An input compare is generated every 8 active edges Note: the divider is reset once C1EN='0'
				Channel 1 configuration This field is used to define the direction of the channel 1 (input or output), and the selection of input pin when C1EN='0':
Bit 1: 0	C1C	0x0	rw	00: Output 01: Input, C1IN is mapped on C1IFP1 10: Input, C1IN is mapped on C2IFP1 11: Input, C1IN is mapped on STCI. This mode works only when the internal trigger input is selected by STIS.

14.4.4.8 Channel mode register2 (TMRx_CM2)

The channel can be used in input (capture mode) or output (compare mode). The direction of a channel is defined by the corresponding CxC bits. All the other bits of this register have different functions in input and output modes. The CxOx describes its function in output mode when the channel is in output mode, while the Cxlx describes its function in output mode when the channel is in input mode. Attention must be given to the fact that the same bit can have different functions in input mode and output mode.

Output compare mode:

Bit	Register	Reset value	Type	Description
Bit 15	C4OSEN	0x0	rw	Channel 4 output switch enable
Bit 14: 12	C4OCTRL	0x0	rw	Channel 4 output control
Bit 11	C4OBEN	0x0	rw	Channel 4 output buffer enable
Bit 10	C4OIEN	0x0	rw	Channel 4 output enable immediately
				Channel 4 configuration This field is used to define the direction of the channel 1 (input or output), and the selection of input pin when C4EN='0':
Bit 9: 8	C4C	0x0	rw	00: Output 01: Input, C4IN is mapped on C4IFP4 10: Input, C4IN is mapped on C3IFP4 11: Input, C4IN is mapped on STCI. This mode works only when the internal trigger input is selected by STIS.
Bit 7	C3OSEN	0x0	rw	Channel 3 output switch enable
Bit 6: 4	C3OCTRL	0x0	rw	Channel 3 output control
Bit 3	C3OBEN	0x0	rw	Channel 3 output buffer enable
Bit 2	C3OIEN	0x0	rw	Channel 3 output enable immediately
				Channel 3 configuration This field is used to define the direction of the channel 1 (input or output), and the selection of input pin when C3EN='0':
Bit 1: 0	C3C	0x0	rw	00: Output 01: Input, C3IN is mapped on C3IFP3 10: Input, C3IN is mapped on C4IFP3 11: Input, C3IN is mapped on STCI. This mode works only when the internal trigger input is selected by STIS.

Input capture mode:

Bit	Register	Reset value	Type	Description
Bit 15: 12	C4DF	0x0	rw	Channel 4 digital filter
Bit 11: 10	C4IDIV	0x0	rw	Channel 4 input divider
				Channel 4 configuration
				This field is used to define the direction of the channel 1 (input or output), and the selection of input pin when C4EN='0':
Bit 9: 8	C4C	0x0	rw	00: Output 01: Input, C4IN is mapped on C4IRAW 10: Input, C4IN is mapped on C3IRAW 11: Input, C4IN is mapped on STCI. This mode works only when the internal trigger input is selected by STIS.
Bit 7: 4	C3DF	0x0	rw	Channel 3 digital filter
Bit 3: 2	C3IDIV	0x0	rw	Channel 3 input divider
				Channel 3 configuration
				This field is used to define the direction of the channel 1 (input or output), and the selection of input pin when C3EN='0':
Bit 1:0	C3C	0x0	rw	00: Output 01: Input, C3IN is mapped on C3IRAW 10: Input, C3IN is mapped on C4IRAW 11: Input, C3IN is mapped on STCI. This mode works only when the internal trigger input is selected by STIS.

14.4.4.9 Channel control register (TMRx_CTRL)

Bit	Register	Reset value	Type	Description
Bit 15: 14	Reserved	0x0	resd	Kept its default value.
Bit 13	C4P	0x0	rw	Channel 4 polarity Pleaser refer to C1P description.
Bit 12	C4EN	0x0	rw	Channel 4 enable Pleaser refer to C1EN description.
Bit 11	C3CP	0x0	rw	Channel 3 complementary polarity Please refer to C1P description.
Bit 10	C3CEN	0x0	rw	Channel 3 complementary enable Please refer to C1EN description.
Bit 9	C3P	0x0	rw	Channel 3 polarity Pleaser refer to C1P description.
Bit 8	C3EN	0x0	rw	Channel 3 enable Pleaser refer to C1EN description.
Bit 7	C2CP	0x0	rw	Channel 2 complementary polarity Please refer to C1P description.
Bit 6	C2CEN	0x0	rw	Channel 2 complementary enable Please refer to C1EN description.
Bit 5	C2P	0x0	rw	Channel 2 polarity Pleaser refer to C1P description.
Bit 4	C2EN	0x0	rw	Channel 2 enable Pleaser refer to C1EN description.
Bit 3	C1CP	0x0	rw	Channel 1 complementary polarity 0: C1COUT is active high. 1: C1COUT is active low.
Bit 2	C1CEN	0x0	rw	Channel 1 complementary enable 0: Output is disabled. 1: Output is enabled.

Bit 1	C1P	0x0	rw	<p>Channel 1 polarity</p> <p>When the channel 1 is configured as output mode:</p> <p>0: C1OUT is active high</p> <p>1: C1OUT is active low</p> <p>When the channel 1 is configured as input mode:</p> <p>0: C1IN active edge is on its rising edge. When used as external trigger, C1IN is not inverted.</p> <p>1: C1IN active edge is on its falling edge. When used as external trigger, C1IN is inverted.</p>
Bit0	C1EN	0x0	rw	<p>Channel 1 enable</p> <p>0: Input or output is disabled</p> <p>1: Input or output is enabled</p>

Table 14-15 Complementary output channel CxOUT and CxCOUT control bits with break function

Control bit					Output state ⁽¹⁾	
OEN bit	FCSODIS bit	FCSOEN bit	CxEN bit	CxCEN bit	CxOUT output state	CxCOUT output state
1	X	0	0	0	Output disabled (no driven by the timer) CxOUT=0, Cx_EN=0	Output disabled (no driven by the timer) CxCOUT=0, CxCEN=0
		0	0	1	Output disabled (no driven by the timer) CxOUT=0, Cx_EN=0	CxORAW + polarity, CxCOUT= CxORAW xor CxCP, CxCEN=1
		0	1	0	CxORAW+ polarity CxOUT= CxORAW xor CxP, Cx_EN=1	Output disabled (no driven by the timer) CxCOUT=0, CxCEN=0
		0	1	1	CxORAW+polarity+dead-time, Cx_EN=1	CxORAW inverted+polarity+dead-time, CxCEN=1
		1	0	0	Output disabled (no driven by the timer) CxOUT=CxP, Cx_EN=0	Output disabled (no driven by the timer) CxCOUT=CxCP, CxCEN=0
		1	0	1	Off-state (Output enabled with inactive level) CxOUT=CxP, Cx_EN=1	CxORAW + polarity, CxCOUT= CxORAW xor CxCP, CxCEN=1
		1	1	0	CxORAW + polarity, CxOUT= CxORAW xor CxP, Cx_EN=1	Off-state (Output enabled with inactive level) CxCOUT=CxCP, CxCEN=1
		1	1	1	CxORAW+ polarity+dead-time, Cx_EN=1	CxORAW inverted+polarity+dead-time, CxCEN=1
0	X	0	0	0	Output disabled (no driven by the timer)	
		0	0	1	Asynchronously: CxOUT=CxP, Cx_EN=0, CxCOUT=CxCP, CxCEN=0;	
		0	1	0	If the clock is present: after a dead-time, CxOUT=CxIOS, CxCOUT=CxCIOS, assuming that CxIOS and CxCIOS do not correspond to CxOUT and CxCOUT active level.	
		0	1	1		
		1	0	0	Off-state (Output enabled with inactive level) Asynchronously: CxOUT =CxP, Cx_EN=1, CxCOUT=CxCP, CxCEN=1;	
		1	0	1	If the clock is present: after a dead-time, CxOUT=CxIOS, CxCOUT=CxCIOS, assuming that CxIOS and CxCIOS do not correspond to CxOUT and CxCOUT active level.	
		1	1	0		
		1	1	1		

Note: If the two outputs of a channel are not used (CxEN = CxCEN = 0), CxIOS, CxCIOS, CxP and CxCP must be cleared.

Note: The state of the external I/O pins connected to the complementary CxOUT and CxCOUT channels depends on the CxOUT and CxCOUT channel state and the GPIO and the IOMUX registers.

14.4.4.10 TMR1 and TMR8 counter value (TMRx_CVAL)

Bit	Register	Reset value	Type	Description
Bit 15:0	CVAL	0x0000	rw	Counter value

14.4.4.11 TMR1 and TMR8 division value (TMRx_DIV)

Bit	Register	Reset value	Type	Description
Bit 15:0	DIV	0x0000	rw	Divider value The counter clock frequency $f_{CK_CNT} = f_{TMR_CLK} / (DIV[15:0]+1)$. The value of this register is transferred to the actual prescaler register when an overflow event occurs.

14.4.4.12 TMR1 and TMR8 period register (TMRx_PR)

Bit	Register	Reset value	Type	Description
Bit 15:0	PR	0x0000	rw	Period value This defines the period value of the TMRx counter. The timer stops working when the period value is 0.

14.4.4.13 TMR1 and TMR8 repetition period register (TMRx_RPR)

Bit	Register	Reset value	Type	Description
Bit 15:8	Reserved	0x00	resd	Kept at its default value.
Bit 7:0	RPR	0x00	rw	Repetition of period value This field is used to reduce the generation rate of overflow events. An overflow event is generated when the repetition counter reaches 0.

14.4.4.14 TMR1 and TMR8 channel 1 data register (TMRx_C1DT)

Bit	Register	Reset value	Type	Description
Bit 15:0	C1DT	0x0000	rw	Channel 1 data register When the channel 1 is configured as input mode: The C1DT is the CVAL value stored by the last channel 1 input event (C1IN) When the channel 1 is configured as output mode: C1DT is the value to be compared with the CVAL value. Whether the written value takes effective immediately depends on the C1OBEN bit, and the corresponding output is generated on C1OUT as configured.

14.4.4.15 TMR1 and TMR8 channel 2 data register (TMRx_C2DT)

Bit	Register	Reset value	Type	Description
Bit 15:0	C2DT	0x0000	rw	Channel 2 data register When the channel 2 is configured as input mode: The C2DT is the CVAL value stored by the last channel 2 input event (C1IN) When the channel 2 is configured as output mode: C2DT is the value to be compared with the CVAL value. Whether the written value takes effective immediately depends on the C2OBEN bit, and the corresponding output is generated on C2OUT as configured.

14.4.4.16 TMR1 and TMR8 channel 3 data register (TMRx_C3DT)

Bit	Register	Reset value	Type	Description
Bit 15:0	C3DT	0x0000	rw	Channel 3 data register When the channel 3 is configured as input mode: The C3DT is the CVAL value stored by the last channel 3 input event (C1IN) When the channel 3 is configured as output mode: C3DT is the value to be compared with the CVAL value. Whether the written value takes effective immediately

depends on the C3OBEN bit, and the corresponding output is generated on C3OUT as configured.

14.4.4.17 TMR1 and TMR8 channel 4 data register (TMRx_C4DT)

Bit	Register	Reset value	Type	Description
Bit 15:0	C3DT	0x0000	rw	<p>Channel 4 data register</p> <p>When the channel 4 is configured as input mode: The C4DT is the CVAL value stored by the last channel 4 input event (C1IN)</p> <p>When the channel 3 is configured as output mode: C4DT is the value to be compared with the CVAL value. Whether the written value takes effective immediately depends on the C4OBEN bit, and the corresponding output is generated on C4OUT as configured.</p>

14.4.4.18 TMR1 and TMR8 break register (TMRx_BRK)

Bit	Register	Reset value	Type	Description
Bit 15	OEN	0x0	rw	<p>Output enable</p> <p>This bit acts on the channels as output. It is used to enable CxOUT and CxCOUT outputs. 0: Disabled 1: Enabled</p>
Bit 14	AOEN	0x0	rw	<p>Automatic output enable</p> <p>OEN is set automatically at an overflow event. 0: Disabled 1: Enabled</p>
Bit 13	BRKV	0x0	rw	<p>Break input validity</p> <p>This bit is used to select the active level of a break input. 0: Break input is active low. 1: Break input is active high.</p>
Bit 12	BRKEN	0x0	rw	<p>Break enable</p> <p>This bit is used to enable break input. 0: Break input is disabled. 1: Break input is enabled.</p>
Bit 11	FCSOEN	0x0	rw	<p>Frozen channel status when holistic output enable</p> <p>This bit acts on the channels that have complementary output. It is used to set the channel state when the timer is inactive and MOEN=1. 0: CxOUT/CxCOUT outputs are disabled. 1: CxOUT/CxCOUT outputs are enabled. Output inactive level.</p>
Bit 10	FCSODIS	0x0	rw	<p>Frozen channel status when holistic output disable</p> <p>This bit acts on the channels that have complementary output. It is used to set the channel state when the timer is inactive and MOEN=0. 0: CxOUT/CxCOUT outputs are disabled. 1: CxOUT/CxCOUT outputs are enabled. Output idle level.</p>
Bit 9: 8	WPC	0x0	rw	<p>Write protection configuration</p> <p>This field is used to enable write protection. 00: Write protection is OFF. 01: Write protection level 3, and the following bits are write protected: TMRx_BRK: DTC, BRKEN, BRKV and AOEN TMRx_CTRL2: CxIOS and CxCIOS</p>

				10: Write protection level 2. The following bits and all bits in level 3 are write protected: TMRx_CTRL: CxP and CxCP TMRx_BRK: FCSODIS and FCSOEN
				11: Write protection level 1. The following bits and all bits in level 2 are write protected: TMRx_CMx: C2OCTRL and C2OBEN Note: Once WPC>0, its content remains frozen until the next system reset.
				Dead-time configuration This field defines the duration of the dead-time insertion. The 3-bit MSB of DTC[7: 0] is used for function selection:
Bit 7: 0	DTC	0x00	rw	0xx: DT = DTC [7: 0] * TDTS 10x: DT = (64+ DTC [5: 0]) * TDTS * 2 110: DT = (32+ DTC [4: 0]) * TDTS * 8 111: DT = (32+ DTC [4: 0]) * TDTS * 16

Note: Based on lock configuration, AOEN, BRKV, BRKEN, FCSODIS, FCSOEN and DTC[7:0] can all be write protected. Thus it is necessary to configure write protection when writing to the TMRx_BRK register for the first time.

14.4.4.19 TMR1 and TMR8 DMA control register (TMRx_DMACTRL)

Bit	Register	Reset value	Type	Description
Bit 15:13	Reserved	0x0	resd	Kept at its default value.
Bit 12:8	DTB	0x00	rw	DMA transfer bytes This field defines the number of DMA transfers: 00000: 1 byte 00001: 2 bytes 00010: 3 bytes 00011: 4 bytes 10000: 17 bytes 10001: 18 bytes
Bit 7:5	Reserved	0x0	resd	Kept at its default value.
Bit 4: 0	ADDR	0x00	rw	DMA transfer address offset ADDR is defined as an offset starting from the address of the TMRx_CTRL1 register: 00000: TMRx_CTRL1 00001: TMRx_CTRL2 00010: TMRx_STCTRL

14.4.4.20 TMR1 and TMR8 DMA data register (TMRx_DMADT)

Bit	Register	Reset value	Type	Description
Bit 15: 0	DMADT	0x0000	rw	DMA data register A write/read operation to the DMADT register accesses any TMR register located at the following address: TMRx peripheral address + ADDR*4 to TMRx peripheral address + ADDR*4 + DTB*4

15 Window watchdog timer (WWDT)

15.1 WWDT introduction

The window watchdog downcounter must be reloaded in a limited time window to prevent the watchdog circuits from generating a system reset. The window watch dog is used to detect the occurrence of system malfunctions.

The window watchdog timer is clocked by a divided APB1_CLK. The presion of the APB1_CLK enables the window watchdog to take accurate control of the limited window.

15.2 WWDT main features

- 7-bit downcounter
- If the watchdog is enabled, a system reset is generated when the value of the downcounter is less than 0x40 or when the downcounter is reloaded outside the window.
- The downcounter can be reloaded by enabling the counter interrupt.

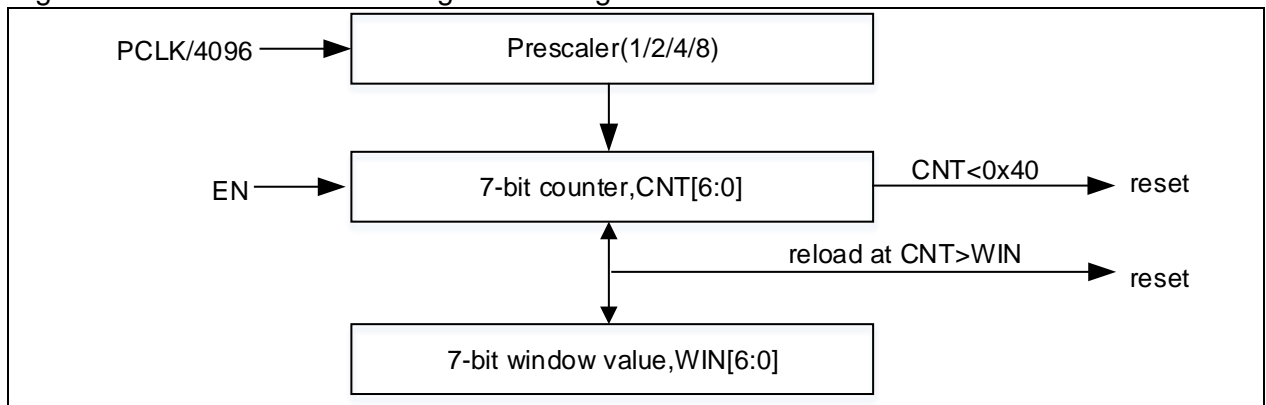
15.3 WWDT functional overview

If the watchdog is enabled, a system reset is generated at the following contions:

When the 7-bit downcounter scrolls from 0x40 to 0x3F;

When the counter is reloaded while the 7-bit downcounter is greater than the value programmed in the window register.

Figure 15-1 Window watchdog block diagram



To prevent sytem reset, the counter must be reloaded only when its value is less than the value stored in the window register and greater than 0x40.

The WWDT counter is clocked by a divided APB1_CLK, with the division factor being defined by the DIV[1: 0] bit in the WWDT_CFG register. The counter value determines the maximum counter period before the watchdog generates a reset. The WIN[6: 0] bit can be used to configure the window value.

WWDT offers reload counter interrupt feature. If enabled, the WWDT will set the RLDF flag when the counter value reaches 0x40h, and an interrupt is generated accordingly. The interrupt service routine (ISTS) can be used to reload the counter to prevent a system reset. Note that if CNT[6]=0, setting the WWDTEN bit will generate a system reset, so the CNT[6] bit must be always set (CNT[6]=1) while writing to the WWDT_CTRL register to prevent the occurrence of an immediate reset once the window watchdog is enabled.

The formula to calculate the window watchdog time out:

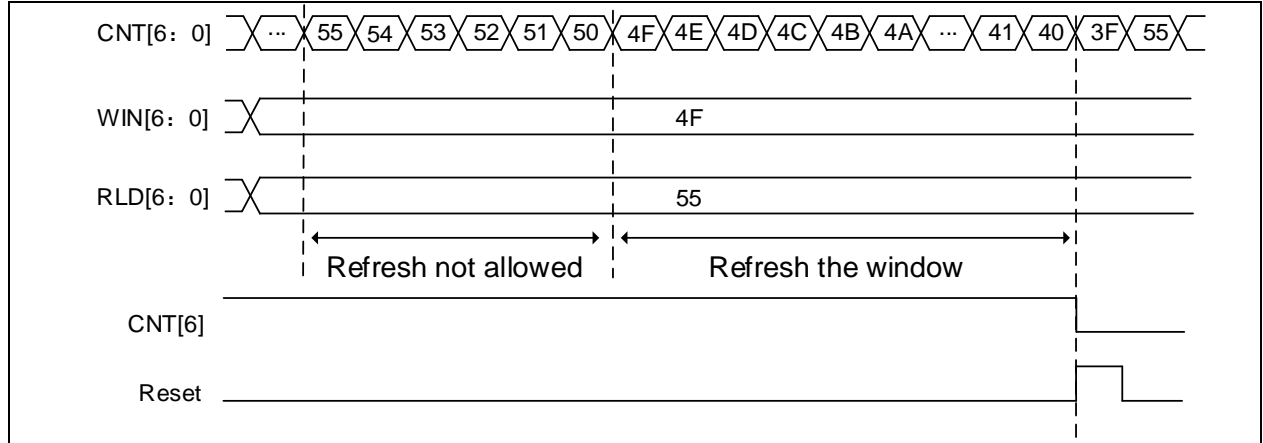
$$T_{WWDT} = T_{PCLK1} \times 4096 \times 2^{DIV[1: 0]} \times (CNT[5: 0] + 1); \text{ (ms)}$$

Where: T_{PCLK1} refers to APB1 clock period, in ms.

Table 15-1 Minimum and maximum timeout value when PCLK1=72 MHz

Prescaler	Min. Timeout value	Max. Timeout value
0	56.5µs	3.64ms
1	113.5µs	7.28ms
2	227.5µs	14.56ms
3	455µs	29.12ms

Figure 15-2 Window watchdog timing diagram



15.4 Debug mode

When the microcontroller enters debug mode (Cortex™-M4F core halted), the WWDT counter stops counting by setting the WWDT_PAUSE in the DEBUG module.

15.5 WWDT registers

These peripheral registers must be accessed by word (32 bits).

Table 15-2 WWDT register map and reset value

Register	Offset	Reset value
WWDT_CTRL	0x00	0x7F
WWDT_CFG	0x04	0x7F
WWDT_STS	0x08	0x00

15.5.1 Control register (WWDT_CTRL)

Bit	Register	Reset value	Type	Description
Bit 31: 8	Reserved	0x000000	resd	Kept at its default value.
Bit 7	WWDTEN	0x0	rw1s	Window watchdog enable 0: Disabled 1: Enabled This bit is set by software, but can be cleared only after reset.
Bit 6: 0	CNT	0x7F	rw	Downcounter When the counter counts down to 0x3F, a reset is generated.

15.5.2 Configuration register (WWDT_CFG)

Bit	Register	Reset value	Type	Description
Bit 31: 10	Reserved	0x000000	resd	Kept at its default value.
Bit 9	RLDIEN	0x0	rw	Reload counter interrupt 0: Disabled 1: Enabled
Bit 8: 7	DIV	0x0	rw	Clock division value 00: PCLK1 divided by 4096

				01: PCLK1 divided by 8192 10: PCLK1 divided by 16384 11: PCLK1 divided by 32768
Bit 6: 0	WIN	0x7F	rw	Window value if the counter is reloaded while its value is greater than the window register value, a reset is generated. The counter must be reloaded between 0x40 and WIN[6: 0].

15.5.3 Status register (WWDT_STS)

Bit	Register	Reset value	Type	Description
Bit 31: 1	Reserved	0x0000 0000	resd	Kept at its default value.
Bit 0	RLDF	0x0	rw0c	Reload counter interrupt flag This flag is set when the downcounter reaches 0x40. This bit is set by hardware and cleared by software.

16 Watchdog timer (WDT)

16.1 WDT introduction

The WDT is driven by a dedicated low-speed clock (LICK). Due to the lower clock accuracy of LICK, the WDT is best suited to the applications that have lower timing accuracy and can run independently outside the main application.

16.2 WDT main features

- 12-bit downcounter
- The counter is clocked by LICK (can work in Stop and Standby modes)
- If the WDT is enabled, a system reset is generated when the counter value reaches 0

16.3 WDT functional overview

WDT enable:

Both software and hardware operations can be used to enable WDT. In other words, the WDT can be enabled by writing 0xCCCC to the WDT_CMD register; or when the user enables the hardware watchdog through user system data area, the WDT will be automatically enabled after power-on reset.

WDT reset:

When the counter value of the WDT counts down to 0, a WDT reset be generated. Thus the WDT_CMD register must be written with the value 0xAAAA at regular intervals to reload the counter value to avoid the WDT reset.

WDT write-protected:

The WDT_DIV and WDT_RLD registers are write-protected. Writing the value 0x5555 to the WDT_CMD register will unlock write protection. The update status of these two registers are indicated by the DIVF and RLDF bits in the WDT_STS register. If a different value is written to the WDT_CMD register, these two registers will be re-protected. Writing the value 0xAAAA to the WDT_CMD register also enables write protection.

WDT clock:

The WDT counter is clocked by the LICK. The LICK is an internal RC clock, with its range falling between 30kHz and 60kHz. The timeout period is also within a certain range, so a margin should be taken into account when configuring timeout period. The LICK can be calibrated to obtain the WDT timeout with a relatively accuracy. For more details, please refer to section [4.1.1](#).

Figure 16-1 WDT block diagram

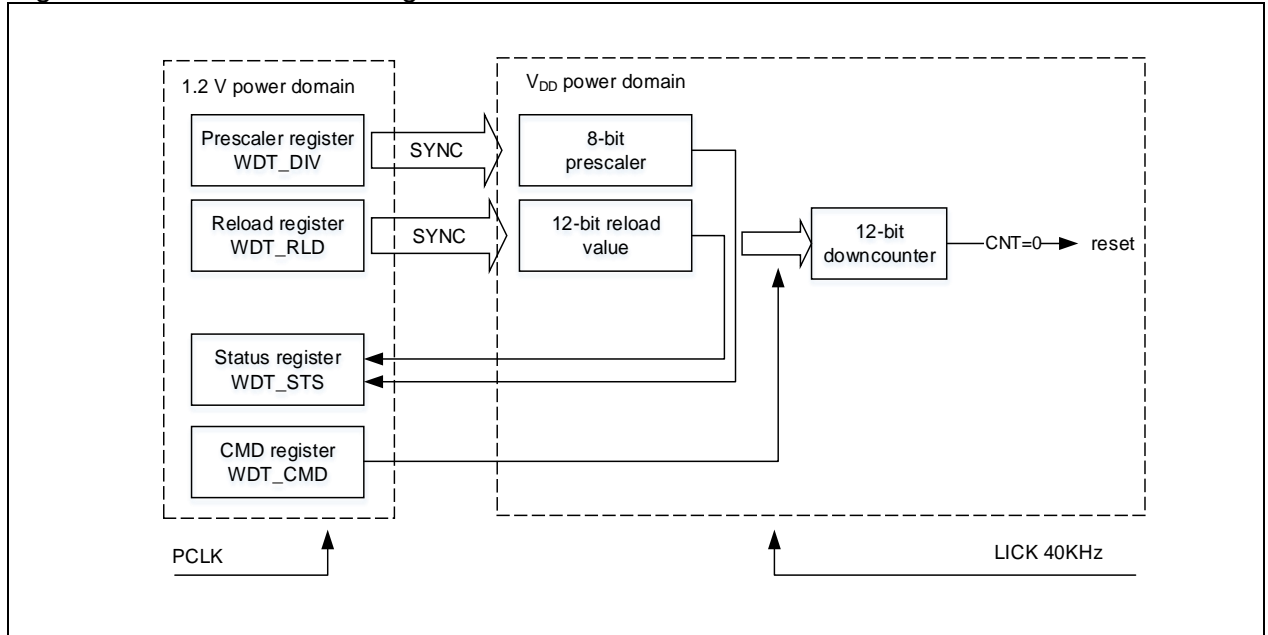


Table 16-1 WDT timeout period (LICK=40kHz)

Prescaler divider	DIV[2: 0] bits	Min.timeout (ms) RLD[11: 0] = 0x000	Max. timeout (ms) RLD[11: 0] = 0xFF
/4	0	0.1	409.6
/8	1	0.2	819.2
/16	2	0.4	1638.4
/32	3	0.8	3276.8
/64	4	1.6	6553.6
/128	5	3.2	13107.2
/256	(6 or 7)	6.4	26214.4

16.4 Debug mode

When the microcontroller enters debug mode (Cortex™-M4F core halted), the WDT counter stops counting by setting the WDT_PAUSE in the DEBUG module.

16.5 WDT registers

These peripheral registers must be accessed by words (32 bits).

Table 16-2 WDT register and reset value

Register	Offset	Reset value
WDT_CMD	0x00	0x0000 0000
WDT_DIV	0x04	0x0000 0000
WDT_RLD	0x08	0x0000 0FFF
WDT_STS	0x0C	0x0000 0000

16.5.1 Command register (WDT_CMD)

(Reset in Standby mode)

Bit	Register	Reset value	Type	Description
Bit 31: 16	Reserved	0x0000	resd	Kept at its default value. Command register
Bit 15: 0	CMD	0x0000	wo	0xAAAA: Reload counter 0x5555: Unlock write-protected WDT_DIV and WDT_RLD 0xCCCC: Enable WDT. If the hardware watchdog has been enabled, ignore this operation.

16.5.2 Divider register (WDT_DIV)

Bit	Register	Reset value	Type	Description
Bit 31: 3	Reserved	0x0000 0000	resd	Kept at its default value. Clock division value
Bit 2: 0	DIV	0x0	rw	000: LICK divided by 4 001: LICK divided by 8 010: LICK divided by 16 011: LICK divided by 32 100: LICK divided by 64 101: LICK divided by 128 110: LICK divided by 256 111: LICK divided by 256 The write protection must be unlocked in order to enable write access to the register. The register can be read only when DIVF=0.

16.5.3 Reload register (WDT_RLD)

(Reset in Standby mode)

Bit	Register	Reset value	Type	Description
Bit 31: 12	Reserved	0x00000	resd	Kept at its default value. Reload value
Bit 11: 0	RLD	0xFFFF	rw	The write protection must be unlocked in order to enable write access to the register. The register can be read only when RLDF=0.

16.5.4 Status register (WDT_STS)

Bit	Register	Reset value	Type	Description
Bit 31: 2	Reserved	0x0000 0000	resd	Kept at its default value. Reload value update complete flag
Bit 1	RLDF	0x0	ro	0: Reload value update complete 1: Reload value update is in process. The reload register WDT_RLD can be written only when RLDF=0
Bit 0	DIVF	0x0	ro	0: Division value update complete 1: Division value update is in process. The divider register WDT_DIV can be written only when DIVF=0

17 Real-time clock (RTC)

17.1 RTC introduction

The real-time clock provides a calendar clock function. It has an internal 32-bit incremental counter that is increased by one at each second. In other words, this counter serves as a second clock. The current second value can be converted into time and date to provide a calendar function. The time and date can be modified by modifying the counter value.

The RTC module is in battery powered domain, which means that it keeps running and free from the influence of system reset and VDD power off as long as VBAT is powered.

17.2 RTC main features

- 20-bit prescaler
- 32-bit counter
- Three RTC clock sources: HEXT/128, LEXT and LICK
- Three interrupts: Second interrupt, Alarm interrupt and Overflow interrupt

Note: The frequency of the RTC clock must be one forth slower than the PCLK1 clock.

17.3 RTC structure

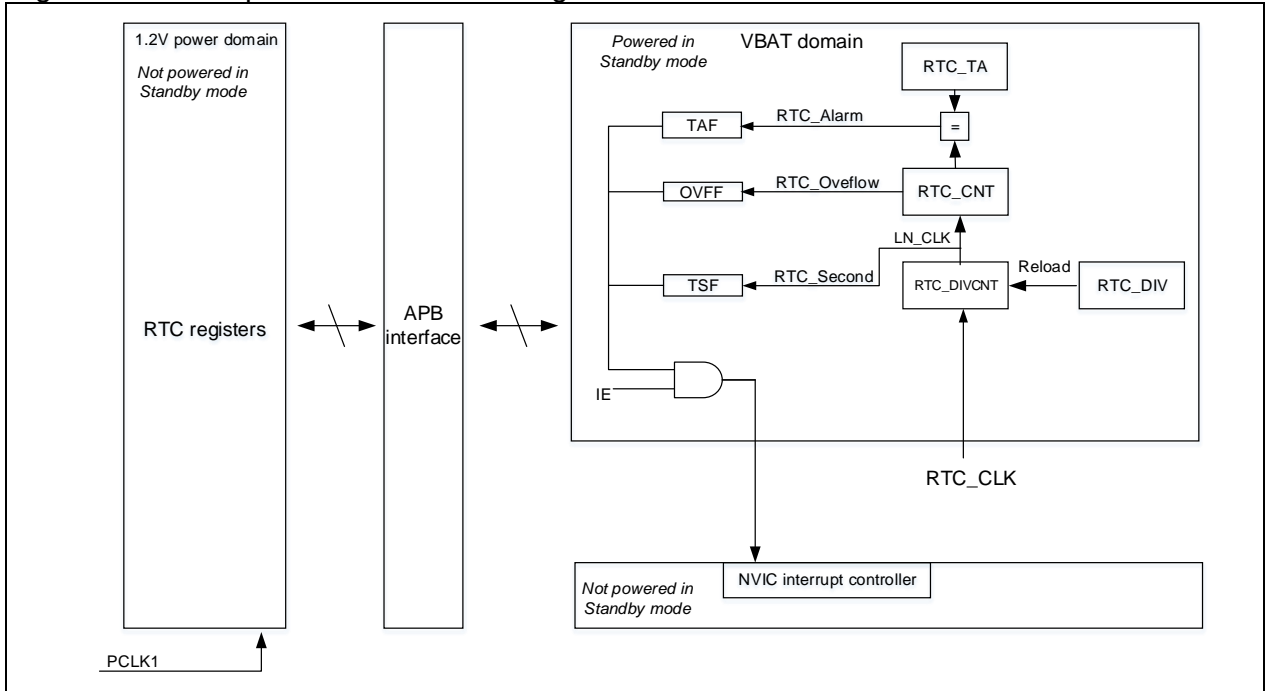
RTC consists of an APB1 interface and a RTC counter logic, as shown in Figure 17-1.

APB1 interface: It is used to interface with the APB1 bus and battery powered domain for the configuration and read operation of the RTC registers.

RTC counter logic: It consists of a 20-bit divider and a 32-bit programmable counter. The prescaler is used to generate the RTC count clock, LN_CLK, which is usually set to 1 second in order to convert the counter value into a calendar. As the RTC counter logic is in the VBAT domain and driven by the RTC_CLK, the RTC still keeps running even if the APB1 interface is disabled. If the RTC_CLK frequency is 32.768kHz, write the value 0x7FFF in the prescaler load register can produce a LN_CLK of 1Hz.

The RTC counter logic is independent from the APB1 interface. The RTC registers can be configured through the APB1 interface and synchronized to the RTC counter module through the RTC_CLK; The associated flag bits arising from the RTC counter module is synchronized to the RTC registers by the PCLK1. The RTC counter module is driven by the RTC_CLK. Set RTCEN=1 to enable RTC_CLK. Configure the RTC_CLK clock source by setting the RTCSEL[1: 0]. To re-configure the RTC_CLK, it must wait until the reset of the battery powered domain before configuration.

Figure 17-1 Simplified RTC block diagram



17.4 RTC functional overview

17.4.1 Configuring RTC registers

After power-on reset, all RTC registers are write protected. Write access to the RTC registers is allowed only when the write protection is unlocked.

Configuration procedure:

- Enable power and battery powered domain interface clock by setting **PWCEN =1** and **BPREN=1** in the **CRM_APB1EN** register
- Unlock write protection in the battery powered domain by setting **BPWEN=1** in the **PWC_CTRL** register

Configuring DIV, CNT and ALA registers:

To enable write operation to these registers, the first step is to enter configuration mode (**CFGEN = 1**). Setting **CFGEN = 0** to exit configuration mode, the values in these registers are actually written to the battery powered domain, which takes at least three **RTCCLK** cycles to complete.

Based on synchronization circuit, a new value can be written to the RTC registers only when the previous RTC configuration is completed (**CFGF=1**).

Configuration procedure:

1. Wait until the end of register configuration (**CFGF=1**)
2. Enter configuration mode (**CFGEN=1**)
3. Configure the corresponding RTC registers
4. Exit configuration mode (**CFGEN=0**)
5. Wait until the end of register configuration (**CFGF=1**)

The registers including **DIV**, **ALA**, **CNT** and **DIVCNT** are reset only by the reset signals in the battery powered domain. The rest of the registers are asynchronously reset by system reset or power reset.

17.4.2 Reading RTC registers

Based on synchronization circuit, when reading the RTC registers, the correct values have yet been uploaded from the battery powered domain to the APB1 interface if one of the following events occurred:

A system reset or power reset has occurred;

The microcontroller has woken up from Standby or Stop modes.

At this time, the software must wait until UPDF=1 before read operation, otherwise, an error value is returned.

17.4.3 RTC interrupts

RTC supports the following interrupt requests:

- Second interrupt: If Second interrupt is enabled (TSIEN=1), a second interrupt is generated at each LN_CLK period.
- Alarm interrupt: If Alarm interrupt is enabled (TAIEN=1), an alarm interrupt is generated when the value in the TA register is equal to the CTN value.
- Overflow interrupt: If Overflow interrupt is enabled (OVFIEN=1), an overflow interrupt is generated when the counter reaches the value 0xFFFFFFFF.

The RTC global interrupt vector (RTC_IRQn) and alarm interrupt vector (RTCAlarm_IRQn) are both supported. To wake up from DEEPSLEEP mode using the RTC alarm interrupt, the RTC alarm interrupt must be enabled to use the RTCAlarm_IRQn vector, and the EXINT 17 is configured as interrupt mode at the same time; To wake from DEEPSLEEP mode using the RTC alarm event, the EXINT 17 must be configured as event mode, but without the need of enabling the RTC alarm interrupt. When the RTC alarm event is used to wake up from Standby mode, it is unnecessary to enable alarm interrupt and EXINT 17.

RTC flag bits are described as follows:

- RTC Second flag (TSF): It indicates the update of RTC counter. The Second flag is set one RTC_CLK period before the update of the RTC counter
- RTC Alarm flag (TAF): The flag is set one RTC_CLK period before the counter value reaches the RTC alarm value in the alarm register increased by one (TA+1)
- RTC Overflow flag (OVFF): The flag is set one RTC_CLK period before the RTC counter value reaches the value 0x00000000

When the RTC interrupts are generated, clearing the corresponding flag bits means that the interrupt requests have been received. The flag bits can only be set by hardware, and cleared by software. After reset, all interrupts will be disabled. The flag bits will no longer be updated when the APB1 clock stops running.

Figure 17-2 RTC second and alarm waveform example with DIV=0004 and TA=00003

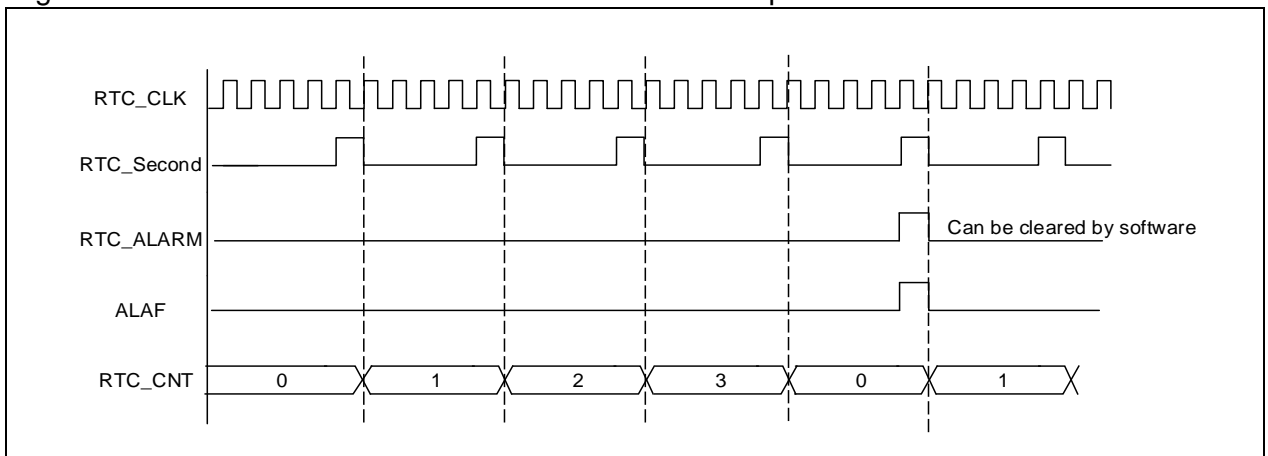
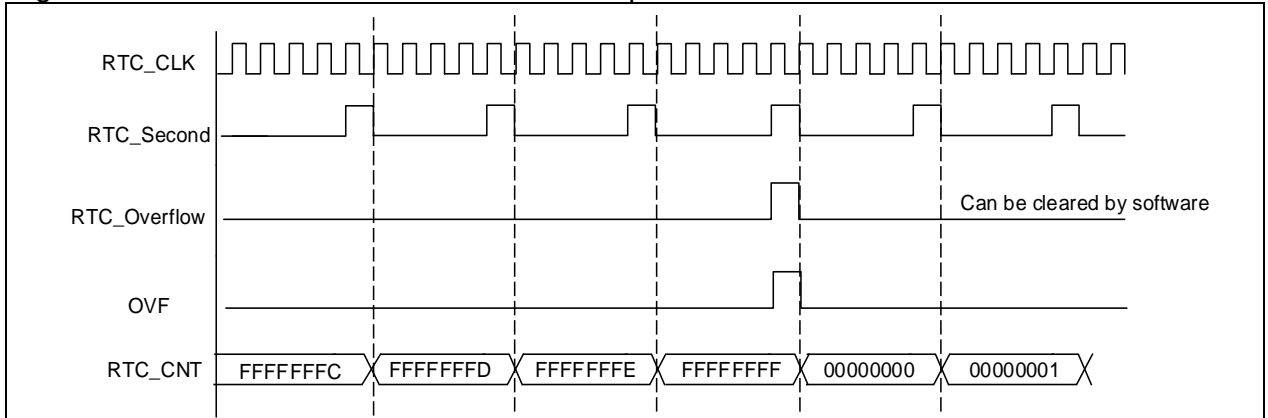


Figure 17-3 RTC overflow waveform example with DIV=0004



17.5 RTC registers

These peripheral registers must be accessed by word (32 bits).

RTC registers are 16-bit addressable registers.

Table 17-1 RTC register map and reset values

Register	Offset	Reset value
RTC_CTRLH	0x00	0x0000
RTC_CTRLL	0x04	0x0020
RTC_DIVH	0x08	0x0000
RTC_DIVL	0x0C	0x8000
RTC_DIVCNTH	0x10	0x0000
RTC_DIVCNTL	0x14	0x8000
RTC_CNTH	0x18	0x0000
RTC_CNTL	0x1C	0x0000
RTC_TAH	0x20	0xFFFF
RTC_TAL	0x24	0xFFFF

17.5.1 RTC control register high (RTC_CTRLH)

Bit	Register	Reset value	Type	Description
Bit 15:3	Reserved	0x0000	resd	Kept at its default value.
Bit 2	OVFIEN	0x0	rw	Overflow interrupt enable This bit is used to enable overflow interrupt. 0: Disabled 1: Enabled
Bit 1	TAIEN	0x0	rw	Time alarm interrupt enable This bit is used to enable alarm interrupt. 0: Disabled 1: Enabled
Bit 0	TSIEN	0x0	rw	Time second interrupt enable This bit is used to enable second interrupt. 0: Disabled 1: Enabled

Note: This register is reset after system reset. Refer to [Section 17.4.1](#) for more details.

17.5.2 RTC control register low (RTC_CTRL0)

Bit	Register	Reset value	Type	Description
Bit 15: 6	Reserved	0x000	resd	Kept at its default value. RTC configuration finish
Bit 5	CFGF	0x1	ro	Indicates whether the last write operation on the RTC registers has been completed or not. Write access to the RTC registers is allowed only when this bit is set. 0: Last write operation on RTC registers is ongoing 1: Last write operation on RTC registers ends.
Bit 4	CFGEN	0x0	rw	RTC Configuration enable This bit is set to enter configuration mode in order to enable write access to the CNT, ALA, DIVCNT registers. 0: Exit configuration mode 1: Enter configuration mode
Bit 3	UPDF	0x0	rw0c	RTC update finish flag This bit indicates whether the update of the RTC registers has been completed or not. This bit is set by hardware when the CNT and DIVCNT are updated. Before any read operation, this bit must be cleared by software, and the user must wait until this bit is set. 0: RTC registers not updated. 1: RTC registers updated.
Bit 2	OVFF	0x0	rw0c	Overflow flag This bit is set when the counter overflows. An interrupt is generated if OVFIEN = 1. 0: Overflow not detected. 1: Overflow occurred.
Bit 1	TAF	0x0	rw0c	Time alarm flag This bit is set when an alarm event is detected. An interrupt is generated if TAIEN = 1. 0: Alarm not detected. 1: Alarm detected.
Bit 0	TSF	0x0	rw0c	Time second flag This bit is set when a second event is detected. An interrupt is generated if TSIEN = 1. 0: Second event not detected. 1: Second event detected.

17.5.3 RTC divider register (RTC_DIVH/RTC_DIVL)

RTC divider register high (RTC_DIVH)

Bit	Register	Reset value	Type	Description
Bit 15: 4	Reserved	0x000	resd	Kept at its default value. RTC divider
Bit 3: 0	DIV	0x0	wo	This field is used to define the counter clock frequency according to the formula: $f_{LN_CLK} = f_{RTCCLK} / (DIV[19: 0] + 1)$

RTC divider register low (RTC_DIVL)

Bit	Register	Reset value	Type	Description
Bit 15: 0	DIV	0x8000	wo	RTC divider This field is used to define the counter clock frequency according to the formula: $f_{LN_CLK} = f_{RTCCLK} / (DIV[19: 0] + 1)$ Note: the zero value is not recommended.

17.5.4 RTC divider counter register (RTC_DIVCNTH/RTC_DIVCNTL)

RTC divider counter register high (RTC_DIVCNTH)

Bit	Register	Reset value	Type	Description
Bit 15:4	Reserved	0x000	resd	Kept at its default value.
Bit 3:0	DIVCNT	0x0	ro	RTC clock divider counter

RTC divider counter register low (RTC_DIVCNTL)

Bit	Register	Reset value	Type	Description
Bit 15:0	DIVCNT	0x8000	ro	RTC clock divider counter

17.5.5 RTC counter value register (RTC_CNTH/RTC_CNTL)

RTC counter value register high (RTC_CNTH)

Bit	Register	Reset value	Type	Description
Bit 15:0	CNT	0x0000	rw	RTC counter value This field is used to configure or read the high part of the RTC counter value.

RTC counter value register low (RTC_CNTL)

Bit	Register	Reset value	Type	Description
Bit 15:0	CNT	0x0000	rw	RTC counter value This field is used to configure or read the low part of the RTC counter value.

17.5.6 RTC alarm register (RTC_TAH/RTC_TAL)

RTC alarm register high (RTC_TAH)

Bit	Register	Reset value	Type	Description
Bit 15:0	TA	0xFFFF	wo	Time alarm clock value This field is used to define the high part of the alarm value.

RTC alarm register low (RTC_TAL)

Bit	Register	Reset value	Type	Description
Bit 15:0	TA	0xFFFF	wo	Time alarm clock value This field is used to define the low part of the alarm value.

18 Battery powered registers (BPR)

18.1 BPR introduction

The battery powered registers are located in the battery powered domain and powered by VDD/VBAT. These registers are forty two 16-bit registers. Upon a tamper event or when battery powered domain reset occurs, the contents in these registers are cleared so as to ensure the highest level of data security.

18.2 BPR main features

- Forty two 16-bit registers
- Reset at a tamper event
- Configurable PC13 pin multiplexed function output

18.3 BPR functional overview

To enable access to the battery powered registers, the PWCEN, BPREN and BPWEN must be set.

The BPR provides tamper detection function for the purpose of data security. If enabled, the polarity of the TAMPER pin is configured with TPP bit. Once a tamper event is detected, the TPEF bit will be set, and the battery powered registers will be cleared accordingly; If the tamper interrupt is enabled, an interrupt will be generated, with the TPIF bit being set.

In addition, the BPR also has RTC calibration feature that can be slowed down up to 121 ppm by setting the CALVAL[6: 0] bits. If the RTC calibration output is enabled, the RTC clock with a frequency divided by 64 can be output on the TAMPER pin (CCOS=1).

Note: When TPP=0 or 1, if the TAMPER pin is already high or low before it is enabled by setting the TPEN bit, an extra tamper event is generated when TPEN=1, despite the fact that there was no rising or falling edge on the TAMPER pin.

18.4 BPR registers

These peripheral registers must be accessed by words (32 bits).

BPR registers are 16-bit addressable registers.

Table 18-1 BPR register map and reset values

Register	Offset	Reset value
BPR_DT1	0x04	0x0000 0000
BPR_DT2	0x08	0x0000 0000
BPR_DT3	0x0C	0x0000 0000
BPR_DT4	0x10	0x0000 0000
BPR_DT5	0x14	0x0000 0000
BPR_DT6	0x18	0x0000 0000
BPR_DT7	0x1C	0x0000 0000
BPR_DT8	0x20	0x0000 0000
BPR_DT9	0x24	0x0000 0000
BPR_DT10	0x28	0x0000 0000
BPR_RTCCAL	0x2C	0x0000 0000
BPR_CTRL	0x30	0x0000 0000
BPR_CTRLSTS	0x34	0x0000 0000
BPR_DT11	0x40	0x0000 0000
BPR_DT12	0x44	0x0000 0000
BPR_DT13	0x48	0x0000 0000

BPR_DT14	0x4C	0x0000 0000
BPR_DT15	0x50	0x0000 0000
BPR_DT16	0x54	0x0000 0000
BPR_DT17	0x58	0x0000 0000
BPR_DT18	0x5C	0x0000 0000
BPR_DT19	0x60	0x0000 0000
BPR_DT20	0x64	0x0000 0000
BPR_DT21	0x68	0x0000 0000
BPR_DT22	0x6C	0x0000 0000
BPR_DT23	0x70	0x0000 0000
BPR_DT24	0x74	0x0000 0000
BPR_DT25	0x78	0x0000 0000
BPR_DT26	0x7C	0x0000 0000
BPR_DT27	0x80	0x0000 0000
BPR_DT28	0x84	0x0000 0000
BPR_DT29	0x88	0x0000 0000
BPR_DT30	0x8C	0x0000 0000
BPR_DT31	0x90	0x0000 0000
BPR_DT32	0x94	0x0000 0000
BPR_DT33	0x98	0x0000 0000
BPR_DT34	0x9C	0x0000 0000
BPR_DT35	0xA0	0x0000 0000
BPR_DT36	0xA4	0x0000 0000
BPR_DT37	0xA8	0x0000 0000
BPR_DT38	0xAC	0x0000 0000
BPR_DT39	0xB0	0x0000 0000
BPR_DT40	0xB4	0x0000 0000
BPR_DT41	0xB8	0x0000 0000
BPR_DT42	0xBC	0x0000 0000

18.4.1 Battery powered data register x (BPR_DT_x) (x = 1 … 42)

Bit	Register	Reset value	Type	Description
Bit 15:0	DT	0x0000	rw	Battery powered domain data This field is used for data storage. The BPR_DT _x registers can be set only by a battery powered domain reset or by a tamper event.

18.4.2 RTC calibration register (BPR_RTCCAL)

Bit	Register	Reset value	Type	Description
Bit 15:12	Reserved	0x0	resd	Kept at its default value.
Bit 11	OUTM	0x0	rw	Output mode This bit is used to select the output mode of alarm output or second output: 0: Pulse output (The output pulse width is one RTC clock period)

				1: Toggle output (The corresponding pin output level changes at each time when an alarm event or second event is detected) Note: This bit is reset only by a battery powered domain reset.
Bit 10	CCOS	0x0	rw	Calibration clock output selection 0: Calibration clock output is disabled 1: Calibration clock output is enabled Note: This bit is cleared only by a battery powered domain reset.
Bit 9	OUTSEL	0x0	rw	Output selection This bit is used to select either the RTC alarm event or the second event. 0: RTC alarm event output 1: Second event output Note: This bit is cleared only by a battery powered domain reset.
Bit 8	OUTEN	0x0	rw	Output enable 0: Disabled 1: Enabled Note: This bit is cleared only by a battery powered domain reset. It is used to enable the event that is output on the TAMPER pin. The TAMPER function can not be used if the output is enabled.
Bit 7	CALOUT	0x0	rw	Calibration clock output 0: No effect 1: Output the RTC clock with a frequency divided by 64 on the TAMPER pin. The TAMPER function can not be used when the calibration clock output is enabled. Note: This bit is cleared when the VDD supply is powered off.
Bit 6: 0	CALVAL	0x00	rw	Calibration value This value indicates the number of clock filtered in one cycle (2^{20} clocks). The clock frequency is reduced with a minimum accuracy of $1000000/2^{20}$ ppm. The RTC clock can be slowed down from 0 to 121 ppm.

18.4.3 BPR control register (BPR_CTRL)

Bit	Register	Reset value	Type	Description
Bit 15: 2	Reserved	0x0000	resd	Kept at its default value.
Bit 1	TPP	0x0	rw	TAMPER pin polarity This bit defines the polarity of the TAMPER pin. The contents in the data registers are cleared when an active level is detected. 0: Active high 1: Active low <i>Note: To avoid unwanted tamper event, it is recommended to modify the polarity of the TAMPER pin when it is disabled.</i>
Bit 0	TPEN	0x0	rw	TAMPER pin enable 0: Disabled. The TAMPER pin can be used as GPIO. 1: Enabled

18.4.4 BPR control/status register (BPR_CTRLSTS)

Bit	Register	Reset value	Type	Description
Bit 15: 10	Reserved	0x00	resd	Kept at its default value.
Bit 9	TPIF	0x0	ro	<p>Tamper interrupt flag</p> <p>This bit is set when a tamper event is detected and the TPIEN is set.</p> <p>0: No tamper event 1: A tamper event is detect.</p> <p>Note: This bit is reset only a system reset or exit Standby mode.</p>
Bit 8	TPEF	0x0	ro	<p>Tamper event flag</p> <p>This bit is set when a tamper event is detected.</p> <p>0: No tamper event 1: A tamper event is detected</p> <p>Note: A tamper event will reset the BPR_DTx registers. Do not write the BPR_DTx registers when TPEF=1.</p>
Bit 7: 3	Reserved	0x00	resd	Kept at its default value.
Bit 2	TPIEN	0x0	rw	<p>Tamper pin interrupt enable</p> <p>0: Disabled 1: Enabled</p> <p>Note: A tamper interrupt does not wake up the core from low-power modes.</p>
Bit 1	TPIFCLR	0x0	wo	<p>Tamper interrupt flag clear</p> <p>Setting this bit clears the TAMPER interrupt.</p> <p>0: No effect 1: Clear the tamper interrupt</p>
Bit 0	TPEFCLR	0x0	wo	<p>Tamper event flag clear</p> <p>Setting this bit clears the TAMPER event flag.</p> <p>0: No effect 1: Clear the tamper event flag</p>

19 Analog-to-digital converter (ADC)

19.1 ADC introduction

The ADC is a peripheral that converts an analog input signal into a 12-bit digital signal. Its sampling rate is as high as 2 MSPS. It has up to 18 channels for sampling and conversion.

19.2 ADC main features

In terms of analog part:

- 12-bit resolution
- Self-calibration time: 154 ADC clock cycles
- ADC conversion time
- ADC conversion time is 0.5 μ s at 28 MHz (If the system clock is at 240 MHz, then the ADC clock maximum frequency is at 20 M, and the conversion time is 0.7 μ s)
- ADC supply requirement: 2.6 V to 3.6 V
- ADC input range: $V_{REF-} \leq V_{IN} \leq V_{REF+}$

In terms of digital control:

- Regular channels and injected channels with different priority
- Regular channels and injected channels both have their own trigger detection circuit
- Each channel can independently define its own sampling time
- Conversion sequence supports various conversion modes
- Optional data alignment mode
- Programmable voltage monitor threshold
- Regular channels with DMA transfers
- Interrupt generation at one of the following events:
 - End of the conversion of preempted group
 - End of the conversion of channels
 - Voltage outside the threshold programmed
 - ADC Master/slave mode

19.3 ADC structure

[Figure 19-1](#) shows the block diagram of ADC1.

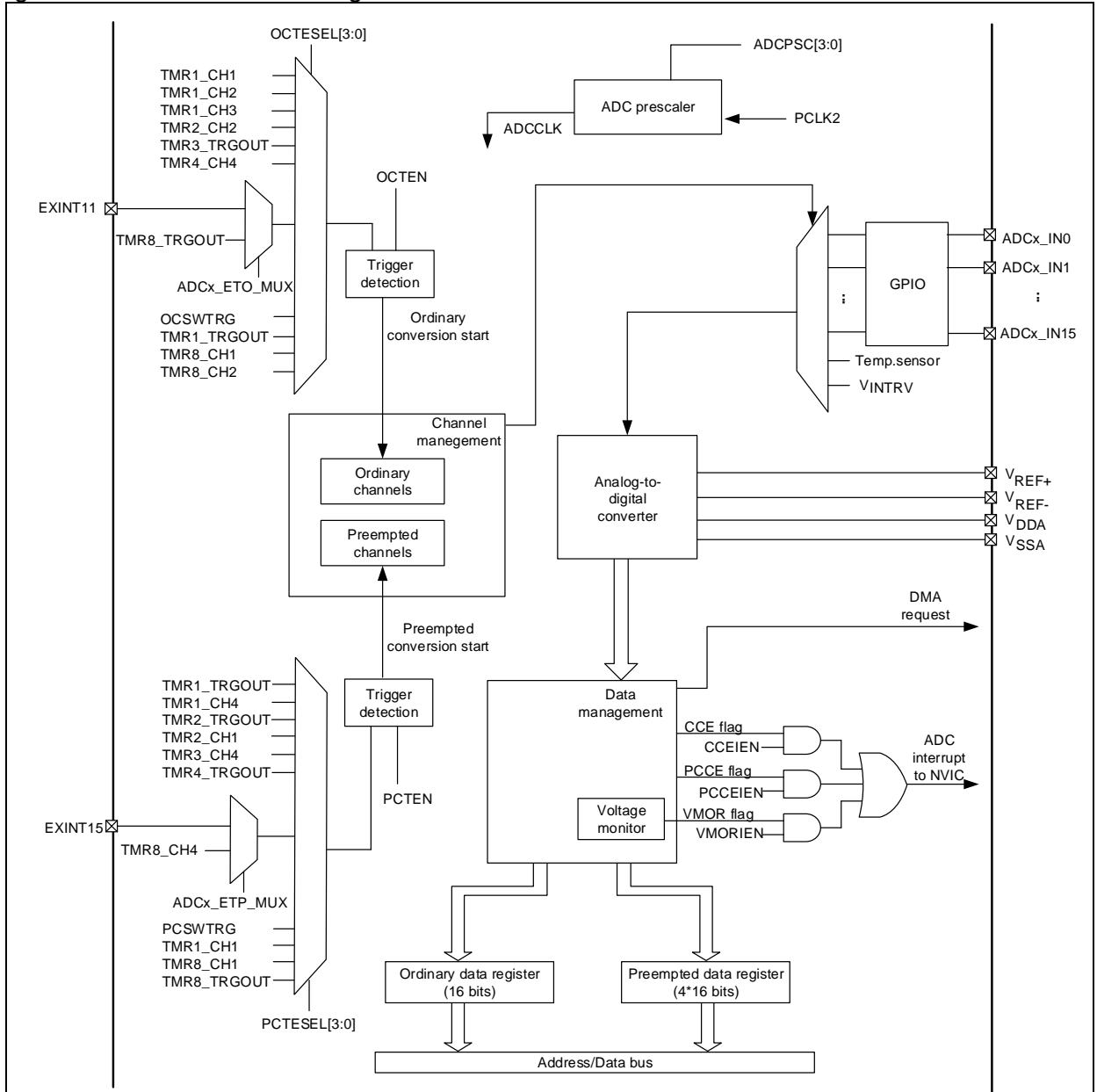
Differences between ADC2 and ADC1:

1. ADC2 is not connected to the internal temperature sensor and internal reference voltage
2. ADC2 has no DMA request. Refer to [Section 19.4.4.2](#) for more details

Differences between ADC3 and ADC1:

1. ADC3 is not connected to the internal temperature sensor and internal reference voltage
2. ADC3 has different external analog input channel pins from ADC1. Refer to [Section 19.4.1](#) for details
3. ADC3 has different trigger sources from ADC1. Refer to [Section 19.4.2.2](#) for more details

Figure 19-1 ADC1 block diagram



Input pin description:

- V_{DDA} : Analog supply, ADC analog supply, can be tied to V_{DD} , or $2.6V \leq V_{DDA} \leq V_{DD}$ (3.6V)
- V_{SSA} : Analog supply ground, ADC analog supply ground, must be tied to V_{SS}
- V_{REF+} : Analog reference positive, high/positive reference voltage for ADC, $2.0V \leq V_{REF+} \leq V_{DDA}$
- V_{REF-} : Analog reference negative, low/negative reference voltage for ADC, must be tied to V_{SS}
- $ADCx_IN$: Analog input signal channels

19.4 ADC functional overview

19.4.1 Channel management

Analog signal channel input:

There are 18 analog signal channel inputs for each of the ADCs, expressed by ADC_IN_x ($x=0$ to 17).

- $ADC1_IN_0$ to $ADC1_IN_{15}$ are referred to as the external analog input, $ADC1_IN_{16}$ as the internal temperature sensor, and $ADC1_IN_{17}$ as the internal reference voltage.
- $ADC2_IN_0$ to $ADC2_IN_{15}$ are referred to as the external analog input, and $ADC2_IN_{16}$ and $ADC2_IN_{17}$ as V_{SS}

- ADC3_IN0 to ADC3_IN3, and ADC3_IN10 to ADC3_IN13 are referred to as the external analog input, the rest of them are Vss.

Channel conversion

The conversions are divided into two groups: ordinary and preempted. The preempted group has priority over the ordinary group.

If the preempted channel trigger occurs during the ordinary channel conversion, then the ordinary channel conversion is interrupted, giving the priority to the preempted channel, and the ordinary channel continues its conversion at the end of the preempted channel conversion. If the ordinary channel trigger occurs during the preempted channel conversion, the ordinary channel conversion won't start until the end of the preempted channel conversion.

Program the ADC_Inx into the ordinary channel sequence (ADC_OSQx) and the preempted channel sequence (ADC_PSQ), and the same channel can be repeated, the total number of sequences is determined by OCLEN and PCLEN, then it is ready to enable the ordinary channel or preempted channel conversion.

19.4.1.1 Internal temperature sensor

The temperature sensor is connected to ADC1_IN16. Before the temperature sensor channel conversion, it is required to enable the ITSRVEN bit in the ADC_CTRL2 register and wait after power-on time.

Obtain the temperature based on the voltage value and Avg_Slope at 25° C, which is described in the electrical characteristics of the data sheet:

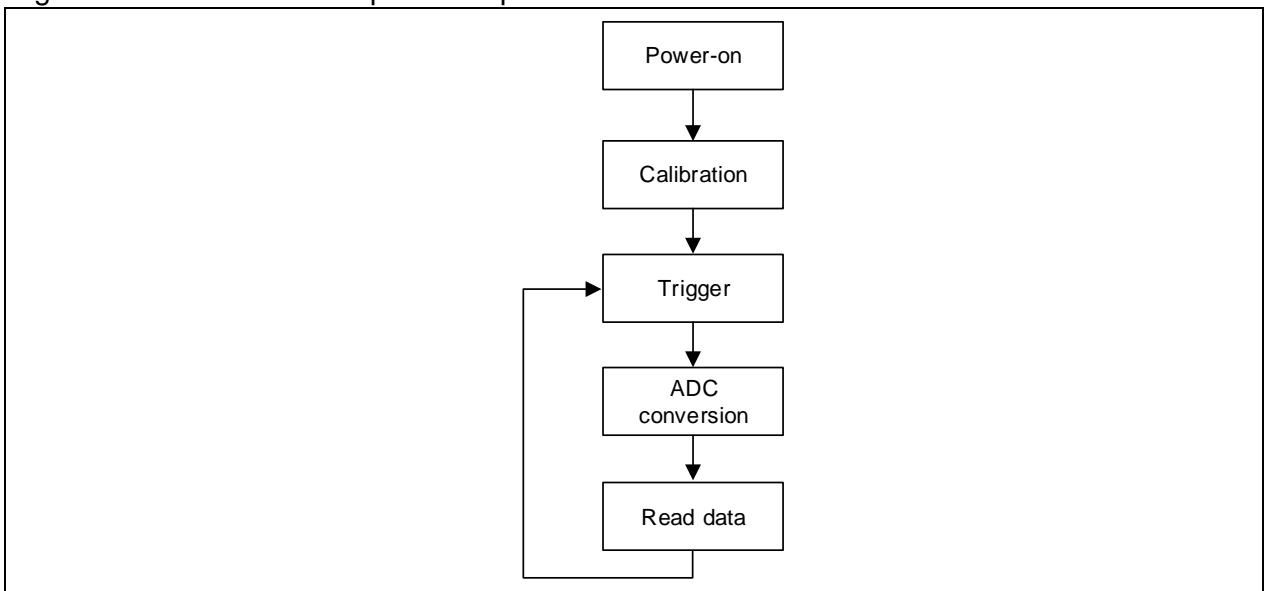
19.4.1.2 Internal reference voltage

The internal reference voltage of the typical value 1.2 V is connected to ADC1_IN17. It is required to enable the ITSRVEN bit in the ADC_CTRL2 register before the internal reference channel conversion. The converted data of such channel can be used to calculate the external reference voltage.

19.4.2 ADC operation process

Figure 19-2 shows the basic operation process of the ADC. It is recommended to do the calibration after the initial power-on in order to improve the accuracy of sampling and conversion. After the calibration, trigger is used to enable ADC sampling conversion. Read data at the end of the conversion.

Figure 19-2 ADC basic operation process



19.4.2.1 Power-on and calibration

Power-on

Set the ADCxEN bit in the CRM_APB2EN register to enable ADC clocks: PCLK2 and ADCCLK.

Program the desired ADCCLK frequency by setting the ADCDIV bit in the CRM_CFG register. The ADCCLK is derived from PCLK2 frequency division.

Note: ADCCLK must be less than 28 MHz.

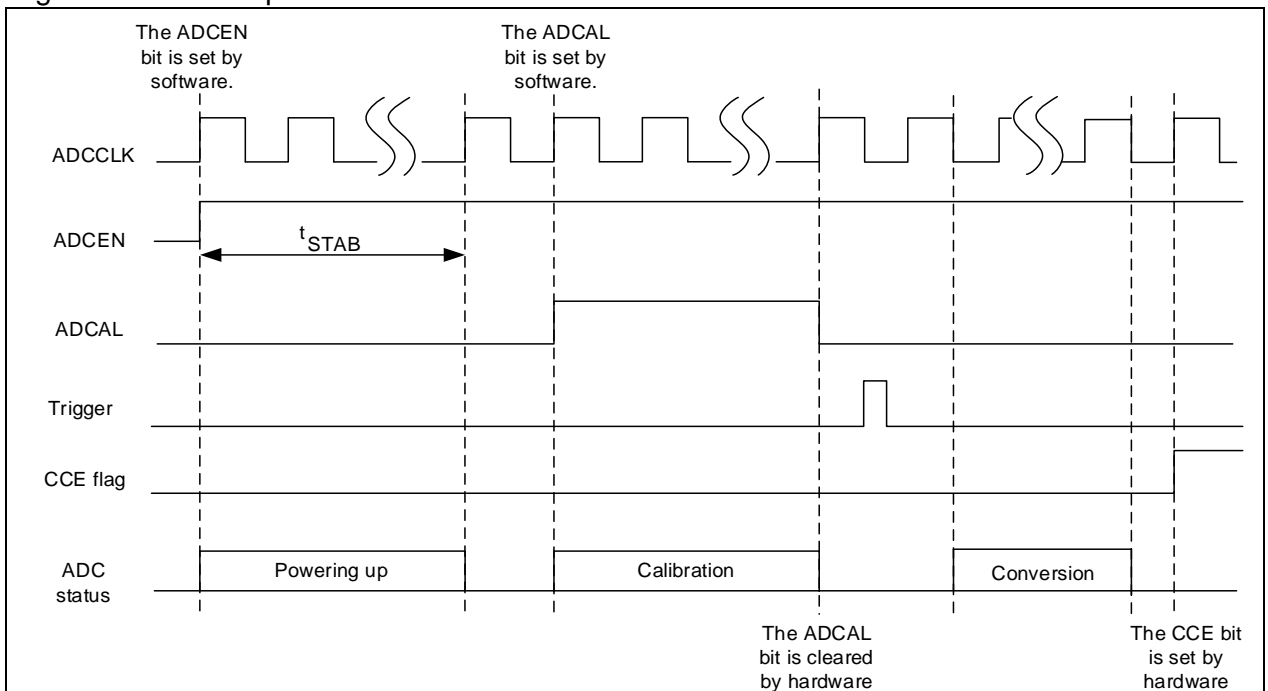
Then set the ADCEN bit in the ADC_CTRL2 register to supply the ADC, and wait until the t_{STAB} is reached before subsequent operations. Clear the ADCEN bit will stop the ADC conversion and result in a reset. In the meantime, the ADC is switched off to save power.

Calibration

After power-on, the calibration is enabled by setting the ADCAL bit in the ADC_CTRL2 register. When the calibration is over, the ADCAL bit is cleared by hardware and the conversion is performed by software trigger.

After each calibration, the calibration value is stored in the ADC_ODT register, and then value is automatically sent back to the ADC so as to eliminate capacitance errors. The storage of the calibration value will not set the CCE flag, or generate interrupts or DMA requests.

Figure 19-3 ADC power-on and calibration



19.4.2.2 Trigger

The ADC triggers contain ordinary channel trigger and preempted channel trigger. The ordinary channel conversion is triggered by ordinary channel triggers while the preempted channel conversion is triggered by preempted ones. When the OCTEN or PCTEN bit is set in the ADC_CTRL2 register, only the rising edge of the trigger source can start the conversion.

The conversion can be triggered by software write operation to the OCSWTRG and PCSWTRG bits in the ADC_CTRL2 register, or by an external event. The external events include timer and pin triggers. The OCTESEL and PCTESEL bits in the ADC_CTRL2 register are used to select specific trigger sources, as shown in [Table 19-1](#) and [Table 19-2](#).

The ordinary channel has another special trigger source, that is, enable the ADCEN bit repeatedly to trigger the conversion. In this case, the ordinary channel conversion can be triggered without the need of the OCTEN enable bit in the ADC_CTRL2 register.

Table 19-1 Trigger sources for ADC1 and ADC2

OCTESEL		Source	PCTESEL		Source
0000		TMR1_CH1 event	0000		TMR1_TRGOUT event
0001		TMR1_CH2 event	0001		TMR1_CH4 event
0010		TMR1_CH3 event	0010		TMR2_TRGOUT event
0011		TMR2_CH2 event	0011		TMR2_CH1 event
0100		TMR3_TRGOUT event	0100		TMR3_CH4 event
0101		TMR4_CH4 event	0101		TMR4_TRGOUT event
0110	ADCx_ETO_MU X=0	EXINT line11 external pin	0110	ADCx_ETP_MUX=0	EXINT line15 external pin
	ADCx_ETO_MU X=1	TMR8_TRGOUT event		ADCx_ETP_MUX=1	TMR8_CH4 event
0111		OCSWTRG bit	0111		PCSWTRG bit
1000		Reserved	1000		Reserved
1001		Reserved	1001		Reserved
1010		Reserved	1010		Reserved
1011		Reserved	1011		Reserved
1100		Reserved	1100		Reserved
1101		TMR1_TRGOUT event	1101		TMR1_CH1 event
1110		TMR8_CH1 event	1110		TMR8_CH1 event
1111		TMR8_CH2 event	1111		TMR8_TRGOUT event

Table 19-2 Trigger sources for ADC3

OCTESEL	Source	PCTESEL	Source
0000	TMR3_CH1 event	0000	TMR1_TRGOUT event
0001	TMR2_CH3 event	0001	TMR1_CH4 event
0010	TMR1_CH3 event	0010	TMR4_CH3 event
0011	TMR8_CH1 event	0011	TMR8_CH2 event
0100	TMR8_TRGOUT event	0100	TMR8_CH4 event
0101	TMR5_CH1 event	0101	TMR5_TRGOUT event
0110	TMR5_CH3 event	0110	TMR5_CH4 event
0111	OCSWTRG bit	0111	PCSWTRG bit
1000	Reserved	1000	Reserved
1001	Reserved	1001	Reserved
1010	Reserved	1010	Reserved
1011	Reserved	1011	Reserved
1100	Reserved	1100	Reserved
1101	TMR1_TRGOUT event	1101	TMR1_CH1 event
1110	TMR1_CH1 event	1110	TMR1_CH2 event
1111	TMR8_CH3 event	1111	TMR8_TRGOUT event

19.4.2.3 Sampling and conversion sequence

The sampling period can be configured by setting the CSPTx bit in the ADC_SPT1 and ADC_SPT2 registers. A single one conversion time is calculated with the following formula:

$$\text{A single one conversion time (ADCCLK period)} = \text{sampling time} + 12.5$$

Example:

If the CSPTx selects 1.5 period, one conversion requires $1.5+12.5=14$ ADCCLK periods

If the CSPTx selects 7.5 period, one conversion requires $7.5+12.5=20$ ADCCLK periods.

19.4.3 Conversion sequence management

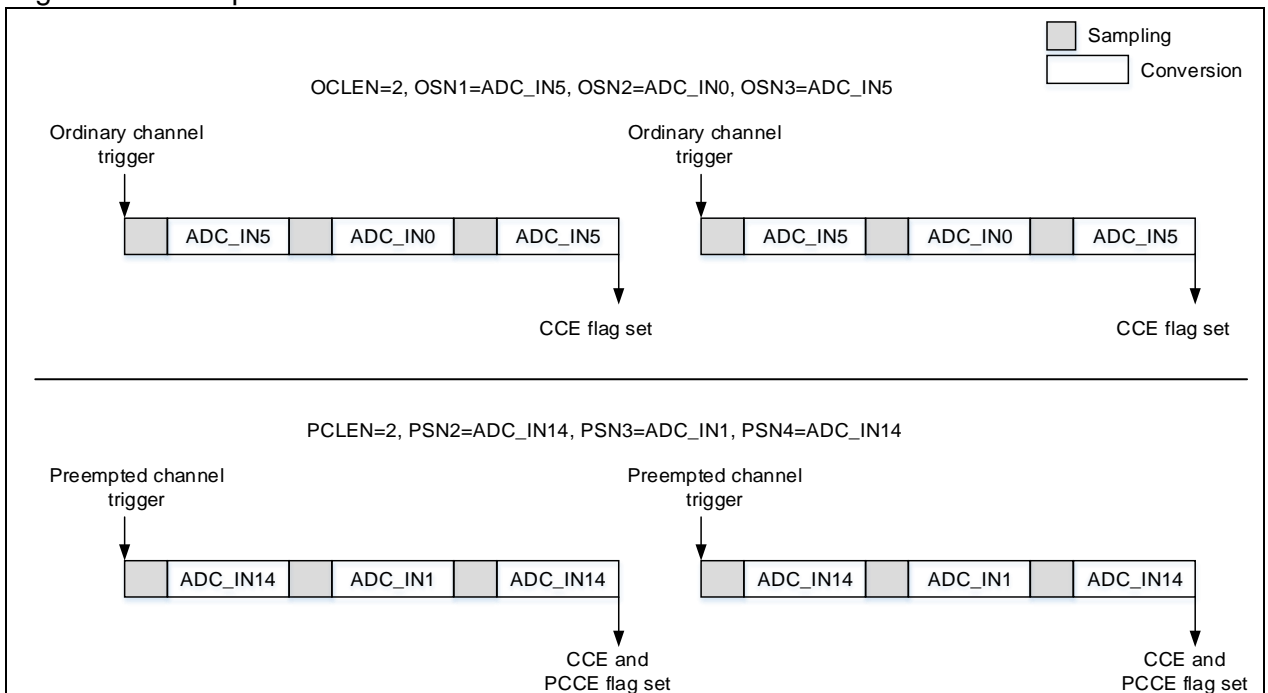
Only one channel is converted at each trigger event by default, that is, OSN1 -defined channel or PSN4-defined channel.

The detailed conversion sequence modes are described in the following sections. With this, the channels can be converted in a specific order.

19.4.3.1 Sequence mode

The sequence mode is enabled by setting the SQEN bit in the ADC_CTRL1 register. The ADC_OSQx registers are used to configure the sequence and total number of the ordinary channels while the ADC_PSQ register is used to define the sequence and total number of the preempted channels. If the sequence mode is enabled, a single trigger event enables the conversion of a group of channels in order. The ordinary channels start converting from the QSN1 while the preempted channels starts from the PSNx, where x=4-PCLEN. Figure 19-4 shows an example of the behavior in sequence mode.

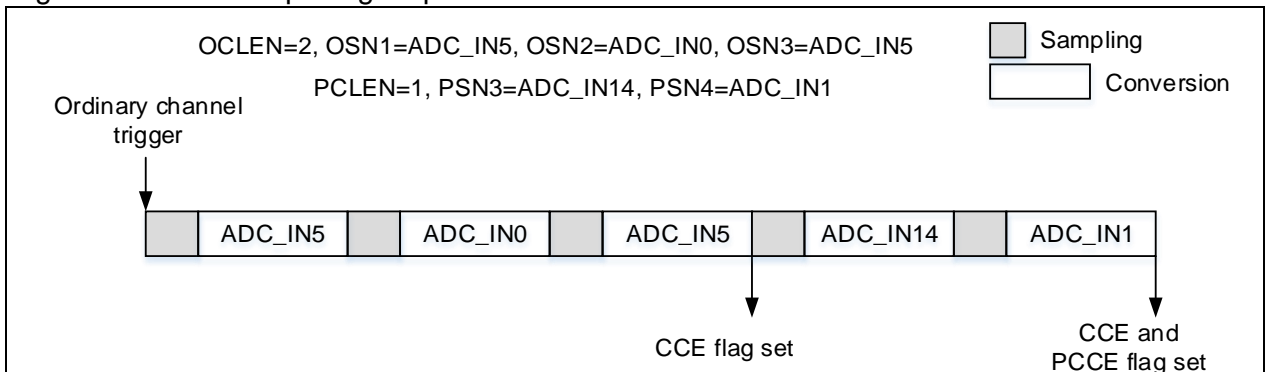
Figure 19-4 Sequence mode



19.4.3.2 Automatic preempted group conversion mode

The automatic preempted group conversion mode is enabled by setting the PCAUTOEN bit in the ADC_CTRL1 register. Once the ordinary channel conversion is over, the preempted group will automatically continue its conversion. This mode can work with the sequence mode. The preempted group conversion starts automatically at the end of the conversion of the ordinary group. Figure 19-5 shows an example of the behavior when the automatic preempted group conversion mode works with the ordinary group.

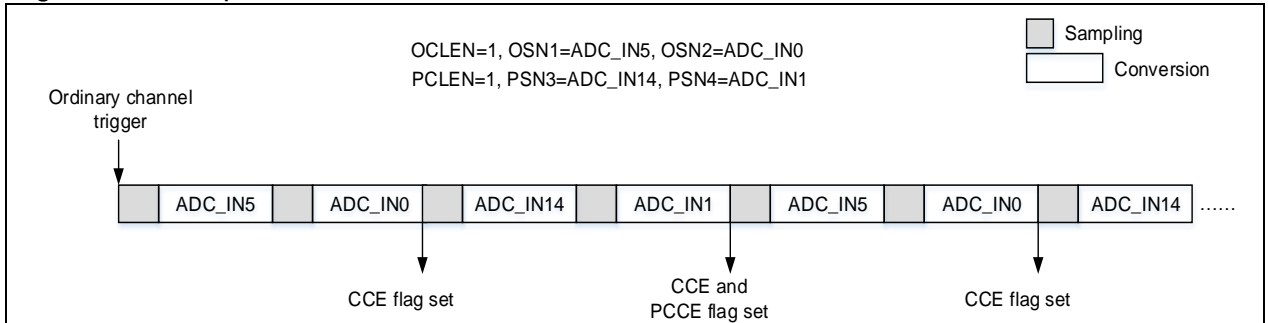
Figure 19-5 Preempted group auto conversion mode



19.4.3.3 Repetition mode

The repetition mode is enabled by setting the RPEN bit in the ADC_CTRL2 register. When a trigger signal is detected, the ordinary channels will be converting repeatedly. This mode can work with the ordinary channel conversion in the sequence mode to enable the repeated conversion of the ordinary group. Such mode can also work with the preempted group auto conversion mode to repeatedly convert the ordinary group and preempted group in sequence. Figure 19-6 shows an example of the behavior when the repetition mode works with the sequence mode and preempted group auto conversion mode.

Figure 19-6 Repetition mode



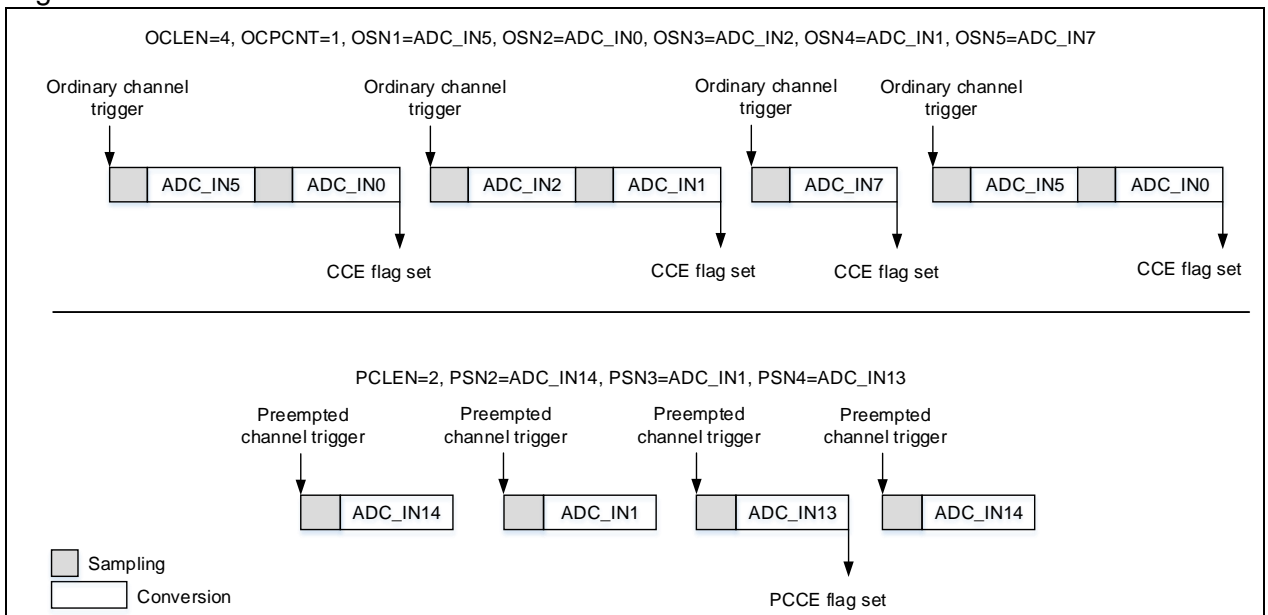
19.4.3.4 Partition mode

The partition mode of the ordinary group can be enabled by setting the OCPEN bit in the ADC_CTRL1 register. In this mode, the ordinary group conversion sequence length (OCLEN bit in the ADC_OSQ1 register) is divided into a smaller sub-group, in which the number of the channels is programmed with the OCPCNT bit in the ADC_CTRL1 register. A single trigger event will enable the conversion of all the channels in the sub-group. Each trigger event selects different sub-group in order.

Set the PCPEN bit in the ADC_CTRL1 register will enable the partition mode of the preempted group. In this mode, the ordinary group conversion sequence length (OCLEN bit in the ADC_OSQ1 register) is divided into a sub-group with only one channel. A single one trigger event will convert the channel in the sub-group. Each trigger event select different sub-group in order.

The partition mode cannot be used with the repetition mode at the same time. The partition mode of the ordinary group cannot be used with that of the preempted group at the same time. [Figure 19-7](#) shows an example of the behavior in partition mode for ordinary group and preempted group.

Figure 19-7 Partition mode



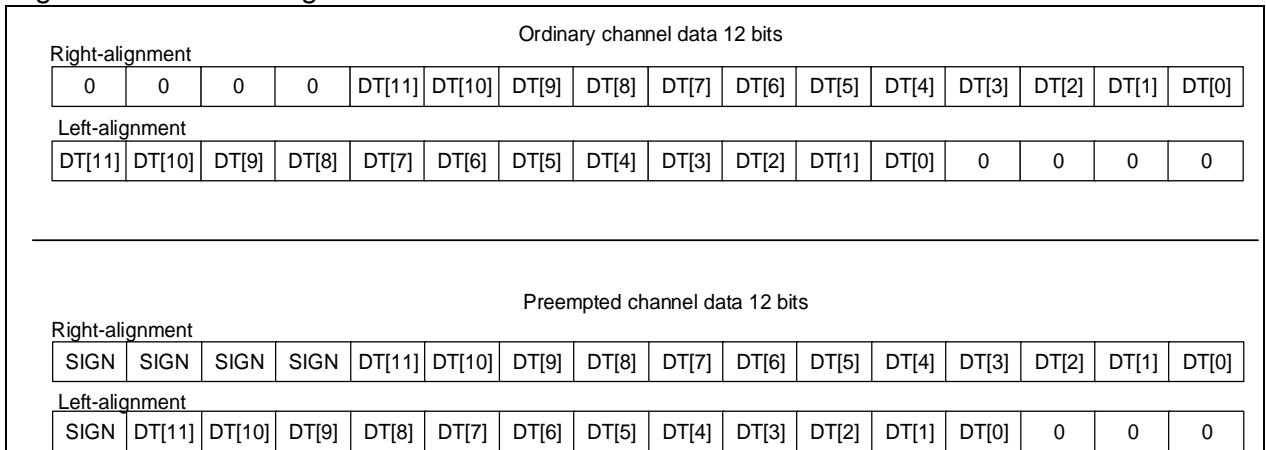
19.4.4 Data management

At the end of the conversion of the ordinary group, the converted value is stored in the ADC_ODT register. Once the preempted group conversion ends, the converted data of the preempted group is stored in the ADC_PDTx register.

19.4.4.1 Data alignment

DTALIGN bit in the ADC_CTRL2 register selects the alignment of data (right-aligned or left-aligned). Apart from this, the converted data of the preempted group is decreased by the offset written in the ADC_PCDTOx register. Thus the result may be a negative value, marked by SIGN, as shown in Figure 19-8.

Figure 19-8 Data alignment



19.4.4.2 Data read

Read access to the ADC_ODT register using CPU or DMA gets the converted data of the ordinary group. Read access to the ADC_PDTx register using CPU gets the converted data of the preempted group.

When the OCDMAEN is set in the ADC_CTRL2 register, the ADC will issue DMA requests each time when the ADC_ODT register is updated.

ADC1 and ADC3 both have their respective DMA channels. In Master/Slave mode, the ADC2 used as slave is read by DMA through the master ADC1.

19.4.5 Voltage monitor

OCVMEN bit or PCVMEN bit in the ADC_CTRL1 register is used to enable voltage monitor. The VMOR bit will be set if the converted result is outside the high threshold (ADC_VMHB register) or is less than the low threshold (ADC_VMLB register).

VMSGEN bit in the ADC_CTRL1 register is used to enable voltage monitor on either a single specific channel or all the channels. The VMCSEL bit is used to select the specific channel that requires voltage monitoring.

Voltage monitor is based on the comparison result between the original converted data and the 12-bit voltage monitor boundary register, irrespective of the PCDTOx and DTALIGN bits.

19.4.6 Status flag and interrupts

Each of the ADCs has its dedicated ADCx_STS registers, that is, OCCS (ordinary channel conversion start flag), PCCS (preempted channel conversion start flag), PCCE (preempted channel conversion end flag), CCE (channel conversion end flag) and VMOR (voltage monitor out of range).

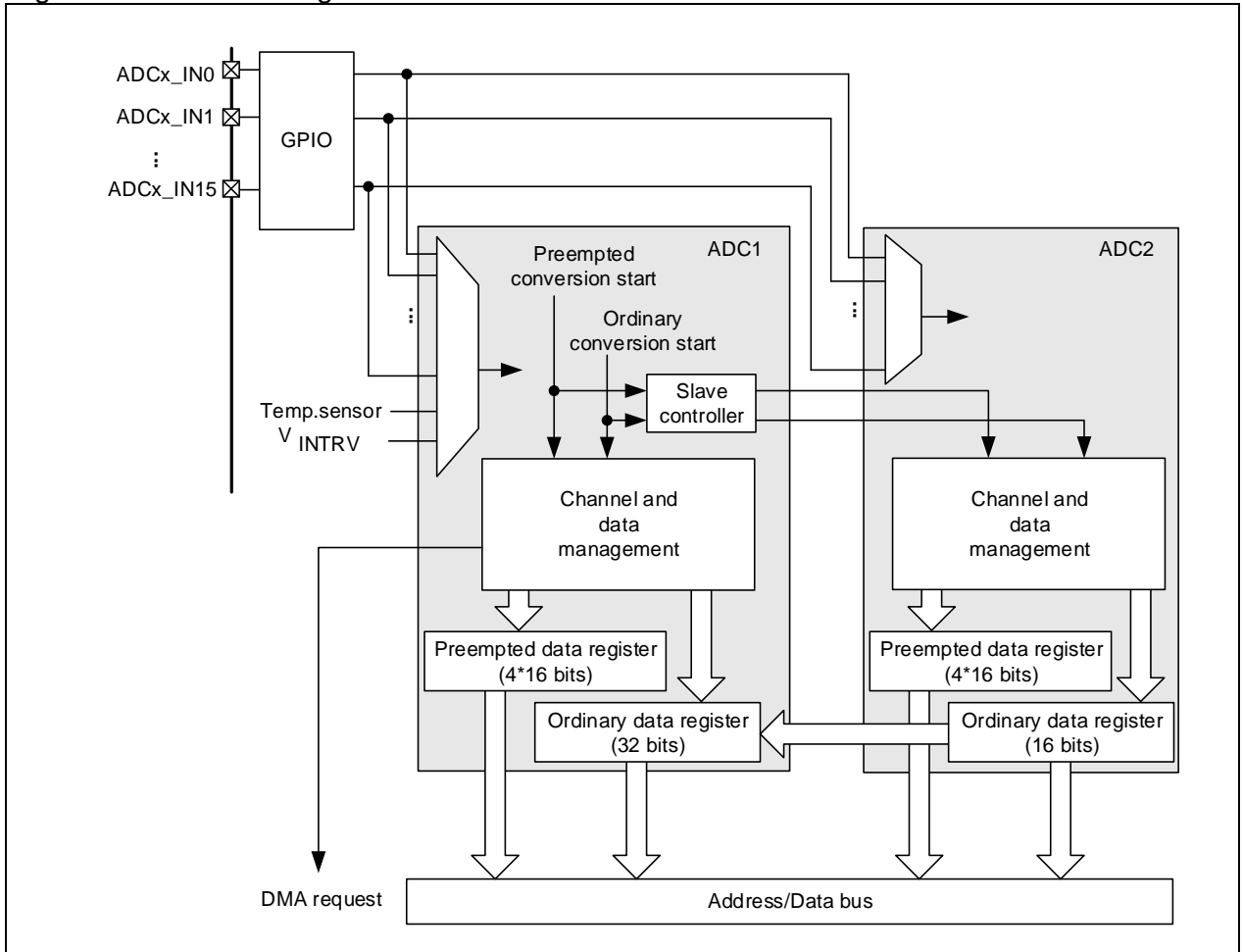
PCCE, CCE and VMOR have their respective interrupt enable bits. Once the interrupt bits are enabled, the corresponding flag is set and an interrupt is sent to CPU. ADC1 shares an interrupt vector with ADC2. ADC3 has a separate interrupt vector.

19.5 Master/Slave mode

If Master/Slave mode is enabled, the master is triggered to work with the slave to do the channel conversion. The ADC_ODT register is used as a single interface obtaining the ordinary channel converted data of master/slave ADC.

In this mode, ADC1 acts as a master while ADC2 as a slave.

Figure 19-9 Block diagram of master/slave mode



19.5.1 Data management

In Master/Slave mode, the data of ordinary channels is also stored in the ADC_ODT register of ADC1. As long as the OCDMAEN is set in the ADC1_CTRL2 register, the ADC1 DMA channel is used to generate a DMA request each time when the data is ready.

19.5.2 Regular simultaneous mode

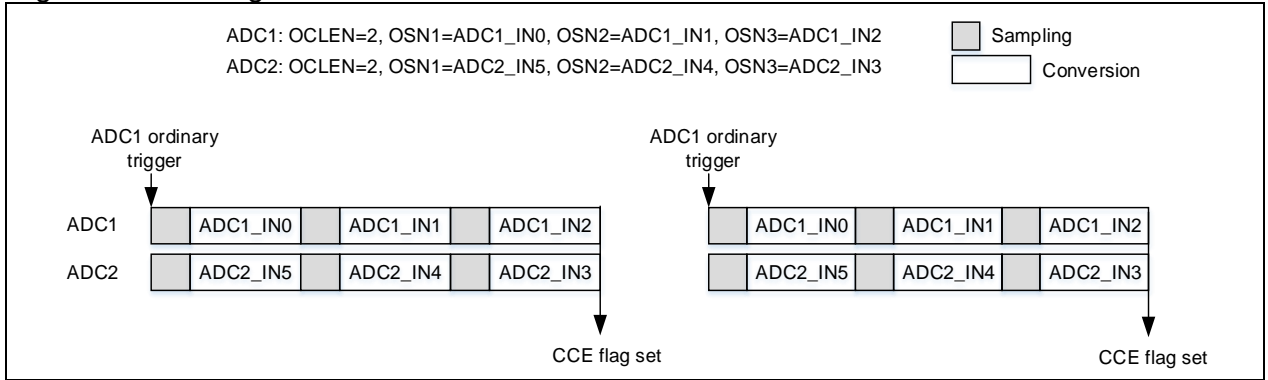
Regular simultaneous mode

MSSEL bit in the ADC_CTRL1 register is used to select regular simultaneous mode. If this mode is enabled, the regular channels of the master is triggered so that the master works with the slave to convert the regular channels simultaneously. In this mode, it is required to configure the same sampling time and the same sequence length for the master and slave to avoid the loss of data due to the lack of synchronization.

Figure 19-10 shows an example of the regular simultaneous mode

Note: The same channel is not allowed to be sampled by several ADCs simultaneously. Do not put the same channel in the same sequence location of different ADCs.

Figure 19-10 Regular simultaneous mode

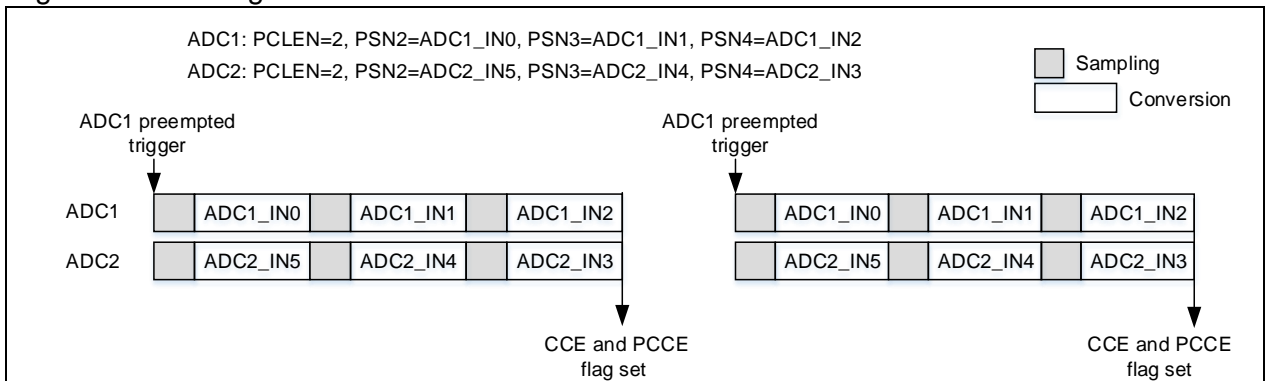


Preempted simultaneous mode

MSEL bit in the ADC_CTRL1 register is used to select preempted simultaneous mode. If this mode is enabled, the preempted channels of the master is triggered so that the master works with the slave to convert the preempted channels simultaneously. Figure 19-11 shows an example of the preempted simultaneous mode

Note: The same channel is not allowed to be sampled by several ADCs simultaneously. Do not put the same channel in the same sequence location of different ADCs.

Figure 19-11 Regular simultaneous mode



Combined regular/preempted simultaneous mode

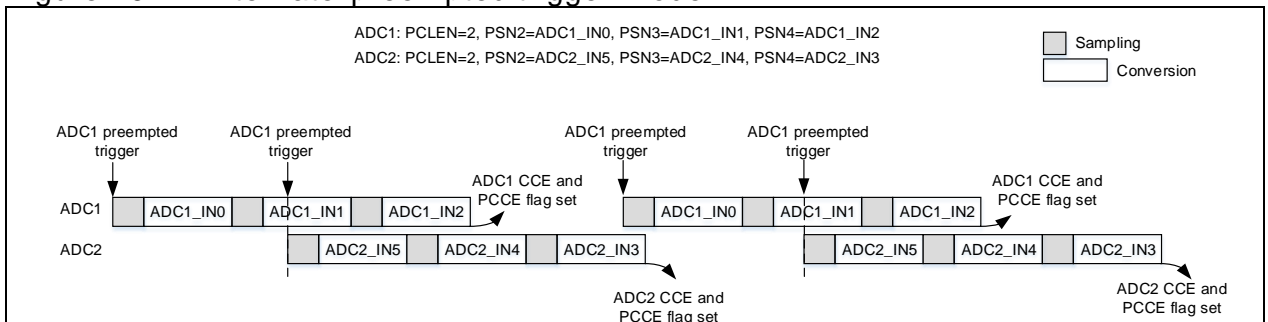
MSEL bit in the ADC_CTRL1 register is used to select combined regular/preempted simultaneous mode. If this mode is enabled, the regular channels of the master is triggered so that the master works with the slave to convert the regular channels simultaneously, or the preempted channels of the master is triggered to enable the master and slave to convert the preempted channels simultaneously.

19.5.3 Alternate preempted trigger mode

Alternate preempted trigger mode

MSEL bit in the ADC_CTRL1 register selects the alternate preempted trigger mode. If this mode is enabled, the preempted channels of the master are triggered continuously so that the master/slave ADCs convert the preempted channels alternately. Figure 19-12 shows an example of the alternate preempted trigger mode.

Figure 19-12 Alternate preempted trigger mode



Combined regular simultaneous + alternate preempted trigger mode

MSEL bit in the ADC_CTRL1 register is used to select combined regular simultaneous + alternate preempted trigger mode. In this mode, trigger the regular group of the master to start regular simultaneous conversion of master/slave, or trigger the preempted group of the master continuously to allow the master/slave ADCs to convert the preempted group alternately.

If the regular conversion is interrupted by the preempted trigger, the regular conversion of all ADCs is stopped, and one of the ADCs starts the preempted conversion. At this point, the master will ignore the preempted trigger until the regular conversion is resumed.

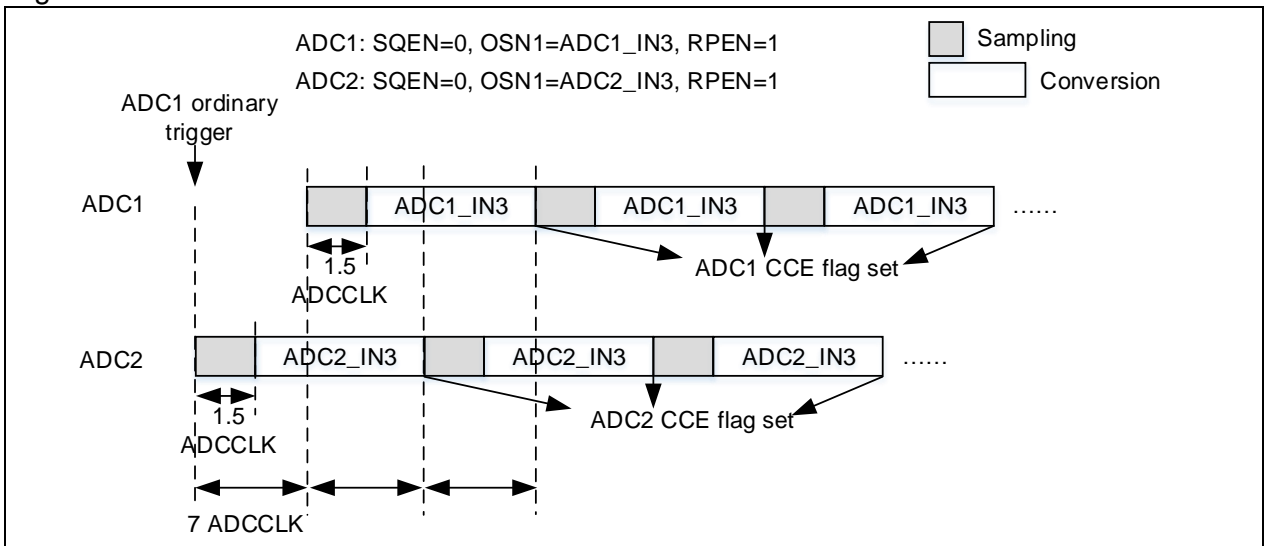
19.5.4 Regular switch mode

Fast switch mode on regular group

MSEL bit in the ADC_CTRL1 register is used to select fast switch mode on regular group. After a master trigger occurs, the conversion interval between ADCs is 7 ADCCLK cycles, that is, ADC2 starts immediately, ADC1 starts after 7 ADCCLK cycles, and then ADC2 starts after another 7 ADCCLK cycles, and so on. In this mode, the sampling time allowed is 1.5 ADCCLK cycles, as shown in Figure 19-13.

Note: The preempted trigger is not allowed in this mode.

Figure 19-13 Fast switch mode



Combined preempted simultaneous + fast switch mode on regular group

MSEL bit in the ADC_CTRL1 register is used to select combined preempted simultaneous + fast switch mode. After a regular group of the master is triggered, the conversion interval between ADCs is 7 ADCCLK cycles. Or trigger the preempted group of the master to allow a simultaneous conversion of the preempted group by master/slave.

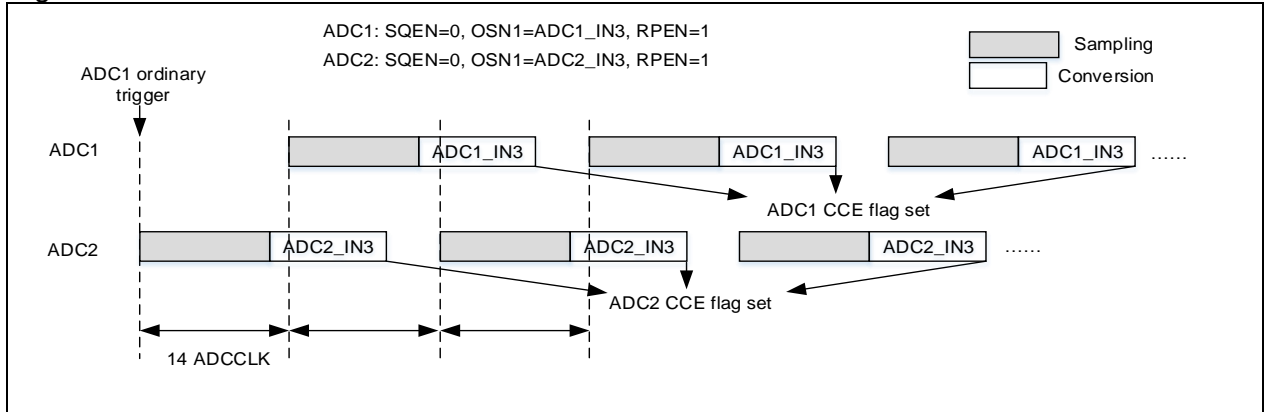
If the regular group conversion is interrupted by the preempted group, the regular group conversion is stopped and resumes from ADC2 at the end of the preempted conversion.

Slow switch mode on regular group

MSEL bit in the ADC_CTRL1 register is used to select slow switch mode. After a master trigger occurs, the conversion interval between ADCs is 14 ADCCLK cycles, that is, ADC2 starts immediately, ADC1 starts after a delay of 14 ADCCLK cycles, and then the ADC2 starts after another delay of 14 ADCCLK cycles, and so on. In this mode, the sampling time allowed is less than 14 ADCCLK cycles, as shown in Figure 19-14.

Note: The preempted trigger is not allowed in this mode.

Figure 19-14 Fast slow mode



Combined preempted simultaneous + slow switch mode

MSEL bit in the ADC_CTRL1 register is used to select combined preempted simultaneous + slow switch mode. After a master trigger occurs, the conversion interval between ADCs is 14 ADCCLK cycles. Or r trigger the preempted group of th master to allow a simultaneous conversion of the preempted group by master/slave.

If the regular group conversion is interrupted by the preempted group, the regular group conversion is stopped and resumes from ADC2 at the end of the preempted conversion.

19.6 ADC registers

Table 19-3 lists ADC register map and their reset values.

These peripheral registers must be accessed by word (32 bits).

Table 19-3 ADC register map and reset values

Register	Offset	Reset value
ADC_STS	0x000	0x0000 0000
ADC_CTRL1	0x004	0x0000 0000
ADC_CTRL2	0x008	0x0000 0000
ADC_SPT1	0x00C	0x0000 0000
ADC_SPT2	0x010	0x0000 0000
ADC_PCDTO1	0x014	0x0000 0000
ADC_PCDTO2	0x018	0x0000 0000
ADC_PCDTO3	0x01C	0x0000 0000
ADC_PCDTO4	0x020	0x0000 0000
ADC_VMHB	0x024	0x0000 0FFF
ADC_VMLB	0x028	0x0000 0000
ADC_OSQ1	0x02C	0x0000 0000
ADC_OSQ2	0x030	0x0000 0000
ADC_OSQ3	0x034	0x0000 0000
ADC_PSQ	0x038	0x0000 0000
ADC_PDT1	0x03C	0x0000 0000
ADC_PDT2	0x040	0x0000 0000
ADC_PDT3	0x044	0x0000 0000
ADC_PDT4	0x048	0x0000 0000
ADC_ODT	0x04C	0x0000 0000

19.6.1 ADC status register (ADC_STS)

Bit	Register	Reset value	Type	Description
Bit 31: 5	Reserved	0x0000000	resd	Kept at its default value.
Bit 4	OCCS	0x0	rw0c	Ordinary channel conversion start flag This bit is set by hardware and cleared by software (writing 0). 0: No ordinary channel conversion started 1: Ordinary channel conversion has started
Bit 3	PCCS	0x0	rw0c	Preempted channel conversion start flag This bit is set by hardware and cleared by software (writing 0). 0: No preempted channel conversion started 1: Preempted channel conversion has started
Bit 2	PCCE	0x0	rw0c	Preempted channel end of conversion flag This bit is set by hardware and cleared by software (writing 0). 0: Conversion is not complete 1: Conversion is complete
Bit 1	CCE	0x0	rw0c	End of conversion flag This bit is set by hardware. It is cleared by software (writing 0) or by reading the ADC_ODT register. 0: Conversion is not complete 1: Conversion is complete Note: This bit is set at the end of the ordinary or preempted group.
Bit 0	VMOR	0x0	rw0c	Voltage monitoring out of range flag This bit is set by hardware and cleared by software (writing 0). 0: Voltage is within the value programmed 1: Voltage is outside the value programmed

19.6.2 ADC control register1 (ADC_CTRL1)

Bit	Register	Reset value	Type	Description
Bit 31: 24	Reserved	0x00	resd	Kept at its default value.
Bit 23	OCVMEN	0x0	rw	Voltage monitoring enable on ordinary channels 0: Voltage monitoring disabled on ordinary channels 1: Voltage monitoring enabled on ordinary channels
Bit 22	PCVMEN	0x0	rw	Voltage monitoring enable on preempted channels 0: Voltage monitoring disabled on preempted channels 1: Voltage monitoring enabled on preempted channels
Bit 21: 20	Reserved	0x0	resd	Kept at its default value.

Bit 19: 16	MSSEL	0x0	rw	<p>Master/slave mode select</p> <p>0000: Independnetmode</p> <p>0001: Combined regular simultaneous + preempted simultaneous mode</p> <p>0010: Combined regular simultaneous + alternate preempted trigger mode</p> <p>0011: Combined preempted simultaneous + fast switch mode on regular group</p> <p>0100: Combined preempted simultaneous + slow switch mode on regular group</p> <p>0101: Preempted simultaneous mode</p> <p>0110: Regular simultaneous mode</p> <p>0111: Fast switch mode on regular group</p> <p>1000: Slow switch mode on regular group</p> <p>1001: Alternate preempted trigger mode</p> <p>1010~1111: Unused, configuration is not allowed.</p> <p>Note: These bits are reserved in ADC2 and ADC3. In master/slave mode, a change of configuration will</p>
Bit 15: 13	OCPCNT	0x0	rw	<p>Partitioned mode conversion count of ordinary channels</p> <p>000: 1 channel</p> <p>001: 2 channels</p> <p>.....</p> <p>111: 8 channels</p> <p>Note: In this mode, the preempted group converts only one channel at each trigger.</p>
Bit 12	PCPEN	0x0	rw	<p>Partitioned mode enable on preempted channels</p> <p>0: Partitioned mode disabled on preempted channels</p> <p>1: Partitioned mode enabled on preempted channels</p>
Bit 11	OCPEN	0x0	rw	<p>Partitioned mode enable on ordinary channels</p> <p>This is set and cleared by software to enable or disable partitioned mode on ordinary channels.</p> <p>0: Partitioned mode disabled on ordinary channels</p> <p>1: Partitioned mode enabled on ordinary channels</p>
Bit 10	PCAUTOEN	0x0	rw	<p>Preempted group automatic conversion enable after ordinary group</p> <p>0: Preempted group automatic conversion disabled</p> <p>1: Preempted group automatic conversion enabled</p>
Bit 9	VMSGEN	0x0	rw	<p>Voltage monitoring enable on a single channel</p> <p>0: Disabled (Voltage monitoring enabled on all channels)</p> <p>1: Enabled (Voltage monitoring enabled a single channel)</p>
Bit 8	SQEN	0x0	rw	<p>Sequence mode enable</p> <p>0: Sequence mode disabled (a single channel is converted)</p> <p>1: Sequence mode enabled (the selected multiple channels are converted)</p> <p>Note: If this mode is enabled and the CCEIEN/PCCEIEN is set, a CCE or PCCE interrupt is generated only at the end of conversion of the last channel.</p>
Bit 7	PCCEIEN	0x0	rw	<p>Conversion end interrupt enable on Preempted channels</p> <p>0: Conversion end interrupt disabled on Preempted channels</p> <p>1: Conversion end interrupt enabled on Preempted channels</p>
Bit 6	VMORIEN	0x0	rw	<p>Voltage monitoring out of range interrupt enable</p> <p>0: Voltage monitoring out of range interrupt disabled</p> <p>1: Voltage monitoring out of range interrupt enabled</p>

Bit 5	CCEIEN	0x0	rw	Channel conversion end interrupt enable 0: Channel conversion end interrupt disabled 1: Channel conversion end interrupt enabled
Bit 4: 0	VMCSEL	0x00	rw	Voltage monitoring channel select This field is valid only when the VMGEN is enabled. 00000: ADC_IN0 channel 00001: ADC_IN1 channel 01111: ADC_IN15 channel 10000: ADC_IN16 channel 10001: ADC_IN17 channel 10010~11111: Unused, configuration is not allowed.
Bit 0	VMOR	0x0	rw0c	Voltage monitoring out of range flag This bit is set by hardware and cleared by software (writing 0). 0: Voltage is within the value programmed 1: Voltage is outside the value programmed

19.6.3 ADC control register2 (ADC_CTRL2)

Bit	Register	Reset value	Type	Description
Bit 30: 26	Reserved	0x00	resd	Kept at its default value
Bit 23	ITSRVEN	0x0	rw	Internal temperature sensor and VINTRV enable 0: Internal temperature sensor and VINTRV disabled 1: Internal temperature sensor and VINTRV enabled Note: These bits are reserved in ADC2 and ADC3, and must be kept at its default value.
Bit 22	OCSWTRG	0x0	rw	Conversion of ordinary channels triggered by software 0: Conversion of ordinary channels not triggered 1: Conversion of ordinary channels triggered (This bit is cleared by software or by hardware as soon as the conversion starts)
Bit 21	PCSWTRG	0x0	rw	Conversion of preempted channels triggered by software 0: Conversion of preempted channels not triggered 1: Conversion of preempted channels triggered (This bit is cleared by software or by hardware as soon as the conversion starts)
Bit 20	OCTEN	0x0	rw	Trigger mode enable for ordinary channels conversion 0: Trigger mode disabled for ordinary channels conversion 1: Trigger mode enabled for ordinary channels conversion
Bit 25 Bit 19: 17	OCTESEL	0x0	rw	Trigger event select for ordinary channels conversion For ADC1 and ADC2, the trigger events are configured as follows: 0000: Timer 1 CH1 event 0001: Timer 1 CH2 event 0010: Timer 1 CH3 event 0011: Timer 2 CH2 event 0100: Timer 3 TRGOUT event 0101: Timer 4 CH4 event 0110: EXINT line 11/ TMR8_TRGOUT event 0111: OCSWTRG 1000~1100: Unused. Configuration is not allowed. 1101: Timer 1 TRGOUT event 1110: Timer 8 CH1 event 1111: Timer 8 CH2 event

				For ADC3, the trigger events are configured as follows: 0000: Timer 3 CH1 event 0001: Timer 2 CH3 event 0010: Timer 1 CH3 event 0011: Timer 8 CH1 event 0100: Timer 8 TRGOUT event 0101: Timer 5 CH1 event 0110: Timer 5 CH3 event 0111: OCSWTRG; 1000~1100: Unused. Configuration is not allowed.; 1101: Timer 1 TRGOUT event 1110: Timer 1 CH1 event 1111: Timer 8 CH3 event
Bit 16	Reserved	0x0	resd	Kept at its default value
Bit 15	PCTEN	0x0	rw	Trigger mode enable for preempted channels conversion 0: Disabled 1: Enabled
Bit 24 Bit 14: 12	PCTESEL	0x0	rw	Trigger event select for preempted channels conversion For ADC1 and ADC2, the trigger events are configured as follows: 0000: Timer 1 TRGOUT event 0001: Timer 1 CH4 event 0010: Timer 2 TRGOUT event 0011: Timer 2 CH1 event 0100: Timer 3 CH4 event 0101: Timer 4 TRGOUT event 0110: EXINT line 15/TMR8_CH4 event 0111: PCSWTRG 1000~1100: Unused. Configuration is not allowed. 1101: Timer 1 CH1 event 1110: Timer 8 CH1 event 1111: Timer 8 TRGOUT event For ADC3, the trigger events are configured as follows: 0000: Timer 1 TRGOUT event 0001: Timer 1 CH4 event 0010: Timer 4 CH3 event 0011: Timer 8 CH2 event 0100: Timer 8 CH4 event 0101: Timer 5 TRGOUT event 0110: Timer 5 CH4 event 0111: PCSWTRG 1000~1100: Unused. Configuration is not allowed. 1101: Timer 1 CH1 event 1110: Timer 1 CH2 event 1111: Timer 8 TRGOUT event
Bit 11	DTALIGN	0x0	rw	Data alignment 0: Right alignment 1: Left alignment
Bit 10: 9	Reserved	0x0	resd	Kept at its default value.
Bit 8	OCDMAEN	0x0	rw	DMA transfer enable of ordinary channels 0: DMA transfer disabled 1: DMA transfer enabled Note: ADC2 has no DMA function, and thus it cannot

				generate a DMA request itself
Bit 7: 4	Reserved	0x0	resd	Kept at its default value.
Bit 3	ADCALINIT	0x0	rw	Initialize A/D calibration This bit is set by software and cleared by hardware. It is cleared after the calibration registers are initialized. 0: No initialization occurred or initialization completed 1: Enable initialization or initialization is ongoing
Bit 2	ADCAL	0x0	rw	A/D Calibration 0: No calibration occurred or calibration completed 1: Enable calibration or calibration is in process
Bit 1	RPEN	0x0	rw	Repetition mode enable 0: Repetition mode disabled When SQEN=0, a single conversion is done each time when a trigger event arrives; when SQEN=1, a group of conversion is done each time when a trigger event arrives. 1: Repetition mode enabled When SQEN =0, continuous conversion mode on a single channel is enabled at each trigger event; when SQEN =1, continuous conversion mode on a group of channels is enabled at each trigger event.
Bit 0	ADCEN	0x0	rw	A/D converter enable 0: A/D converter disabled (ADC goes to power-down mode) 1: A/D converter enabled Note: When this bit is in OFF state, write a start command can wake up The ADC from power-down mode. When this bit in ON state, write a start command repeatedly while the other bits of the register remain unchanged can start a regular group conversion. The application should pay attention to the fact that there is a delay of t_{STAB} between power on and start of conversion.
Bit 0	VMOR	0x0	rw0c	Voltage monitoring out of range flag This bit is set by hardware and cleared by software (writing 0). 0: Voltage is within the value programmed 1: Voltage is outside the value programmed

19.6.4 ADC sampling time register 1 (ADC_SPT1)

Bit	Register	Reset value	Type	Description
Bit 31; 24	Reserved	0x00	resd	Kept at its default value.
Bit 23: 21	CSPT17	0x0	rw	Sample time selection of channel ADC_IN17 000: 1.5 c 001: 7.5 cycles 010: 13.5 cycles 011: 28.5 cycles 100: 41.5 cycles 101: 55.5 cycles 110: 71.5 cycles 111: 239.5 cycles
Bit 20: 18	CSPT16	0x0	rw	Sample time selection of channel ADC_IN16 000: 1.5 cycles 001: 7.5 cycles 010: 13.5 cycles

				011: 28.5 cycles 100: 41.5 cycles 101: 55.5 cycles 110: 71.5 cycles 111: 239.5 cycles
Bit 17: 15	CSPT15	0x0	rw	Sample time selection of channel ADC_IN15 000: 1.5 cycles 001: 7.5 cycles 010: 13.5 cycles 011: 28.5 cycles 100: 41.5 cycles 101: 55.5 cycles 110: 71.5 cycles 111: 239.5 cycles
Bit 14: 12	CSPT14	0x0	rw	Sample time selection of channel ADC_IN14 000: 1.5 cycles 001: 7.5 cycles 010: 13.5 cycles 011: 28.5 cycles 100: 41.5 cycles 101: 55.5 cycles 110: 71.5 cycles 111: 239.5 cycles
Bit 11: 9	CSPT13	0x0	rw	Sample time selection of channel ADC_IN13 000: 1.5 cycles 001: 7.5 cycles 010: 13.5 cycles 011: 28.5 cycles 100: 41.5 cycles 101: 55.5 cycles 110: 71.5 cycles 111: 239.5 cycles
Bit 8: 6	CSPT12	0x0	rw	Sample time selection of channel ADC_IN12 000: 1.5 cycles 001: 7.5 cycles 010: 13.5 cycles 011: 28.5 cycles 100: 41.5 cycles 101: 55.5 cycles 110: 71.5 cycles 111: 239.5 cycles
Bit 5: 3	CSPT11	0x0	rw	Sample time selection of channel ADC_IN11 000: 1.5 cycles 001: 7.5 cycles 010: 13.5 cycles 011: 28.5 cycles 100: 41.5 cycles 101: 55.5 cycles 110: 71.5 cycles 111: 239.5 cycles
Bit 2: 0	CSPT10	0x0	rw	Sample time selection of channel ADC_IN10 000: 1.5 cycles 001: 7.5 cycles

010: 13.5 cycles
 011: 28.5 cycles
 100: 41.5 cycles
 101: 55.5 cycles
 110: 71.5 cycles
 111: 239.5 cycles

19.6.5 ADC sampling time register 2 (ADC_SPT2)

Bit	Register	Reset value	Type	Description
Bit 31:30	Reserved	0x0	resd	Kept at its default value
				Sample time selection of channel ADC_IN9
				000: 1.5 cycles 001: 7.5 cycles 010: 13.5 cycles 011: 28.5 cycles 100: 41.5 cycles 101: 55.5 cycles 110: 71.5 cycles 111: 239.5 cycles
Bit 29:27	CSPT9	0x0	rw	
				Sample time selection of channel ADC_IN8
				000: 1.5 cycles 001: 7.5 cycles 010: 13.5 cycles 011: 28.5 cycles 100: 41.5 cycles 101: 55.5 cycles 110: 71.5 cycles 111: 239.5 cycles
Bit 26:24	CSPT8	0x0	rw	
				Sample time selection of channel ADC_IN7
				000: 1.5 cycles 001: 7.5 cycles 010: 13.5 cycles 011: 28.5 cycles 100: 41.5 cycles 101: 55.5 cycles 110: 71.5 cycles 111: 239.5 cycles
Bit 23:21	CSPT7	0x0	rw	
				Sample time selection of channel ADC_IN6
				000: 1.5 cycles 001: 7.5 cycles 010: 13.5 cycles 011: 28.5 cycles 100: 41.5 cycles 101: 55.5 cycles 110: 71.5 cycles 111: 239.5 cycles
Bit 20:18	CSPT6	0x0	rw	
				Sample time selection of channel ADC_IN5
				000: 1.5 cycles 001: 7.5 cycles 010: 13.5 cycles 011: 28.5 cycles 100: 41.5 cycles 101: 55.5 cycles
Bit 17:15	CSPT5	0x0	rw	
				010: 13.5 cycles 011: 28.5 cycles 100: 41.5 cycles 101: 55.5 cycles

				110: 71.5 cycles 111: 239.5 cycles
				Sample time selection of channel ADC_IN4 000: 1.5 cycles 001: 7.5 cycles 010: 13.5 cycles 011: 28.5 cycles 100: 41.5 cycles 101: 55.5 cycles 110: 71.5 cycles 111: 239.5 cycles
Bit 14: 12	CSPT4	0x0	rw	
				Sample time selection of channel ADC_IN3 000: 1.5 cycles 001: 7.5 cycles 010: 13.5 cycles 011: 28.5 cycles 100: 41.5 cycles 101: 55.5 cycles 110: 71.5 cycles 111: 239.5 cycles
Bit 11: 9	CSPT3	0x0	rw	
				Sample time selection of channel ADC_IN2 000: 1.5 cycles 001: 7.5 cycles 010: 13.5 cycles 011: 28.5 cycles 100: 41.5 cycles 101: 55.5 cycles 110: 71.5 cycles 111: 239.5 cycles
Bit 8: 6	CSPT2	0x0	rw	
				Sample time selection of channel ADC_IN1 000: 1.5 cycles 001: 7.5 cycles 010: 13.5 cycles 011: 28.5 cycles 100: 41.5 cycles 101: 55.5 cycles 110: 71.5 cycles 111: 239.5 cycles
Bit 5: 3	CSPT1	0x0	rw	
				Sample time selection of channel ADC_IN0 000: 1.5 cycles 001: 7.5 cycles 010: 13.5 cycles 011: 28.5 cycles 100: 41.5 cycles 101: 55.5 cycles 110: 71.5 cycles 111: 239.5 cycles
Bit 2: 0	CSPT0	0x0	rw	

19.6.6 ADC preempted channel data offset register x (ADC_PCDTOx) (x=1..4)

Bit	Register	Reset value	Type	Description
Bit 31: 12	Reserved	0x00000	resd	Kept at its default value
Bit 11: 0	PCDTOx	0x000	rw	Data offset for Preempted channel x Converted data stored in the ADC_PDTx = Raw converted data – ADC_PCDTOx

19.6.7 ADC voltage monitor high threshold register (ADC_VWHB)

Bit	Register	Reset value	Type	Description
Bit 31: 12	Reserved	0x00000	resd	Kept at its default value
Bit 11: 0	VMHB	0xFF	rw	Voltage monitoring high boundary

19.6.8 ADC voltage monitor low threshold register (ADC_VWLB)

Bit	Register	Reset value	Type	Description
Bit 31: 12	Reserved	0x00000	resd	Kept at its default value
Bit 11: 0	VMLB	0xFF	rw	Voltage monitoring low boundary

19.6.9 ADC ordinary sequence register 1 (ADC_OSQ1)

Bit	Register	Reset value	Type	Description
Bit 31: 24	Reserved	0x00	resd	Kept at its default value
Bit 23: 20	OCLEN	0x0	rw	Ordinary conversion sequence length 0000: 1 conversion 0001: 2 conversions 1111: 16 conversions
Bit 19: 15	OSN16	0x00	rw	Number of 16th conversion in ordinary sequence
Bit 14: 10	OSN15	0x00	rw	Number of 15th conversion in ordinary sequence
Bit 9: 5	OSN14	0x00	rw	Number of 14th conversion in ordinary sequence
Bit 4: 0	OSN13	0x00	rw	Number of 13th conversion in ordinary sequence Note: The number can be from 0 to 17. For example, if the number is set to 3, it means that the 13 th conversion is ADC_IN3 channel.

19.6.10 ADC ordinary sequence register 2 (ADC_OSQ2)

Bit	Register	Reset value	Type	Description
Bit 31: 30	Reserved	0x0	resd	Kept at its default value
Bit 29: 25	OSN12	0x00	rw	Number of 12th conversion in ordinary sequence
Bit 24: 20	OSN11	0x00	rw	Number of 11th conversion in ordinary sequence
Bit 19: 15	OSN10	0x00	rw	Number of 10th conversion in ordinary sequence
Bit 14: 10	OSN9	0x00	rw	Number of 9th conversion in ordinary sequence
Bit 9: 5	OSN8	0x00	rw	Number of 8th conversion in ordinary sequence
Bit 4: 0	OSN7	0x00	rw	Number of 7th conversion in ordinary sequence Note: The number can be from 0 to 17. For example, if the number is set to 8, it means that the 7 th conversion is ADC_IN8 channel.

19.6.11 ADC ordinary sequence register 3 (ADC_ OSQ3)

Bit	Register	Reset value	Type	Description
Bit 31: 30	Reserved	0x0	resd	Kept at its default value
Bit 29: 25	OSN6	0x00	rw	Number of 6th conversion in ordinary sequence
Bit 24: 20	OSN5	0x00	rw	Number of 5th conversion in ordinary sequence
Bit 19: 15	OSN4	0x00	rw	Number of 4th conversion in ordinary sequence
Bit 14: 10	OSN3	0x00	rw	Number of 3rd conversion in ordinary sequence
Bit 9: 5	OSN2	0x00	rw	Number of 2nd conversion in ordinary sequence
Bit 4: 0	OSN1	0x00	rw	Number of 1st conversion in ordinary sequence Note: The number can be from 0 to 17. For example, if the number is set to 8, it means that the 1st conversion is ADC_IN17 channel.

19.6.12 ADC preempted sequence register (ADC_ PSQ)

Bit	Register	Reset value	Type	Description
Bit 31: 30	Reserved	0x0	resd	Kept at its default value
Bit 21: 20	PCLEN	0x0	rw	Preempted conversion sequence length 00: 1 conversion 01: 2 conversions 10: 3 conversions 11: 4 conversions
Bit 19: 15	PSN4	0x00	rw	Number of 4th conversion in preempted sequence
Bit 14: 10	PSN3	0x00	rw	Number of 3rd conversion in preempted sequence
Bit 9: 5	PSN2	0x00	rw	Number of 2nd conversion in preempted sequence
Bit 4: 0	PSN1	0x00	rw	Number of 1st conversion in preempted sequence Note: The number can be from 0 to 17. For example, if the number is set to 3, it refers to the ADC_IN3 channel. If PCLEN is less than 4, the conversion sequence starts from 4-PCLEN. For example, when ADC_PSQ ([21: 0]) = 10 00110 00101 00100 00011, it indicates that the scan conversion follows the sequence : 4, 5, 6, not 3, 4, 5.

19.6.13 ADC preempted data register x (ADC_ PDTx) (x=1..4)

Bit	Register	Reset value	Type	Description
Bit 31: 16	Reserved	0x0000	resd	Kept at its default value
Bit 15: 0	PDTx	0x0000	rw	Conversion data from preempted channel

19.6.14 ADC ordinary data register (ADC_ ODT)

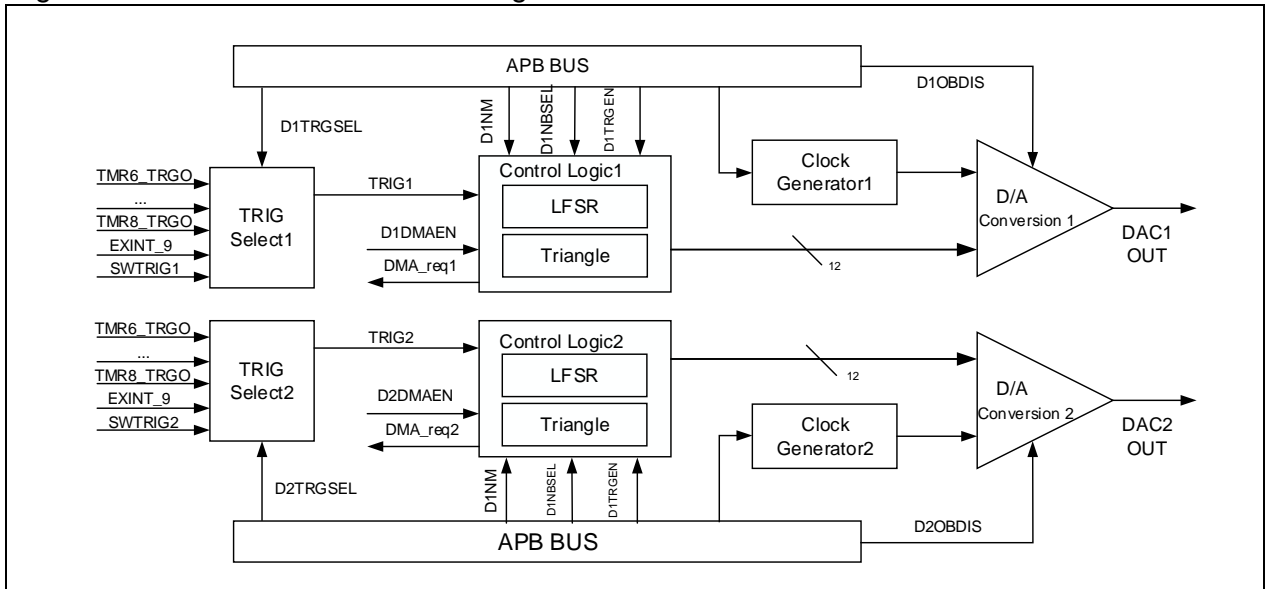
Bit	Register	Reset value	Type	Description
Bit 31: 16	ADC2ODT	0x0000	ro	ADC2 conversion data of ordinary channel Note: These bits are reserved in ADC2 and ADC3. In ADC1, these bits are valid only in master/slave mode, and they contain the conversion result from the ADC2 ordinary channels.
Bit 15: 0	ODT	0x0000	ro	Conversion data of ordinary channel

20 Digital-to-analog converter (DAC)

20.1 DAC introduction

The DAC uses a 12-bit digital input to generate an analog output between 0 and reference voltage. The digital part of the DAC can be configured in 8-bit or 12-bit mode and can be used in conjunction with the DMA. It supports left or right alignment in a single /dual DAC modes. It has two output channels, DAC1 and DCA2, with its own converter each. Each DAC1/DAC2 can be converted independently or simultaneously in dual DAC mode. The input reference voltage VREF+ makes conversion more accuracy.

Figure 20-1 DAC1/DAC2 block diagram



20.2 DAC main features

- A single/dual DAC 8-bit or 12-bit digital input
- Left or right data alignment
- Noise-wave/Triangular-wave generation
- Dual DAC or single DAC1/DAC2 independent conversions
- DMA mode for DAC1/DAC2
- Software or external triggers for conversion
- Input reference voltage VREF+

20.3 Design tips

The following information can be used as DAC design reference:

- Analog module configuration
The analog part of the DAC1/DAC2 can be enabled by setting the ENx bit in the DAC_CTRL register, but its digital part is not subject to this bit. The DAC integrates two output gains that can be used to reduce the output impedance, and to drive external loads directly without the need of an external operational amplifier. The DAC1/DAC2 output gain can be enabled and disabled through the DxOBDIS bit in the DAC_CTRL register.

- DMA capability
The DAC1/DAC2 both have a DMA capability that can be enabled by setting the DxDMAEN bit in the DAC_CTRL register. A DMA request is generated when a trigger signal is active while the DxTRGEN bit is set. The DAC DMA request is not added up, meaning the new DAM request will be ignored and no error is reported.

In dual DAC mode, the application can handle two channels (DAC1/DAC2) by using only one DMA request and a DMA channel.

- **Input/output configuration**
 The digital inputs are linearly converted to analog voltage outputs by the DAC, and it is between 0 and V_{REF+} . The analog DAC module is supplied by V_{DDA} . The positive analog reference voltage input falls between 2.0 V and V_{DDA} . To avoid parasitic interruption and excessive consumption, the PA4 or PA5 should be configured to analog input.

$$DAC\ output = V_{REF+} \times (DxODT[11: 0] / 4095)$$

20.4 Function overview

20.4.1 Trigger events

If the DxTRGEN bit in the DAC_CTRL register is set, the DAC conversion can then be triggered by an external event (timer counter, external interrupt line) or by software. The DxTRGSEL[2: 0] is used to select trigger sources.

Table 20-1 Trigger source selection

Source	DxTRGSEL [2:0]	Description
TMR6_TRGOUT	000	On-chip signals
TMR8_TRGOUT	001	
TMR7_TRGOUT	010	
TMR5_TRGOUT	011	
TMR2_TRGOUT	100	
TMR4_TRGOUT	101	
EXINT_9	110	External signals
DxSWTRG	111	Software trigger

When the DxTRGEN bit is set, each time a DAC detects an active trigger event, the data stored into the HDRx register is transferred into the DAC_DxODT register. If the software trigger is selected, the DxSWTRG flag is cleared by hardware after being set. The DAC output becomes active after a period of time once the data is loaded into the DAC_DxODT register.

When the DxTRGEN bit is cleared, each data written to the data register is immediately transferred into the DAC_DxODT register without the need of a trigger event.

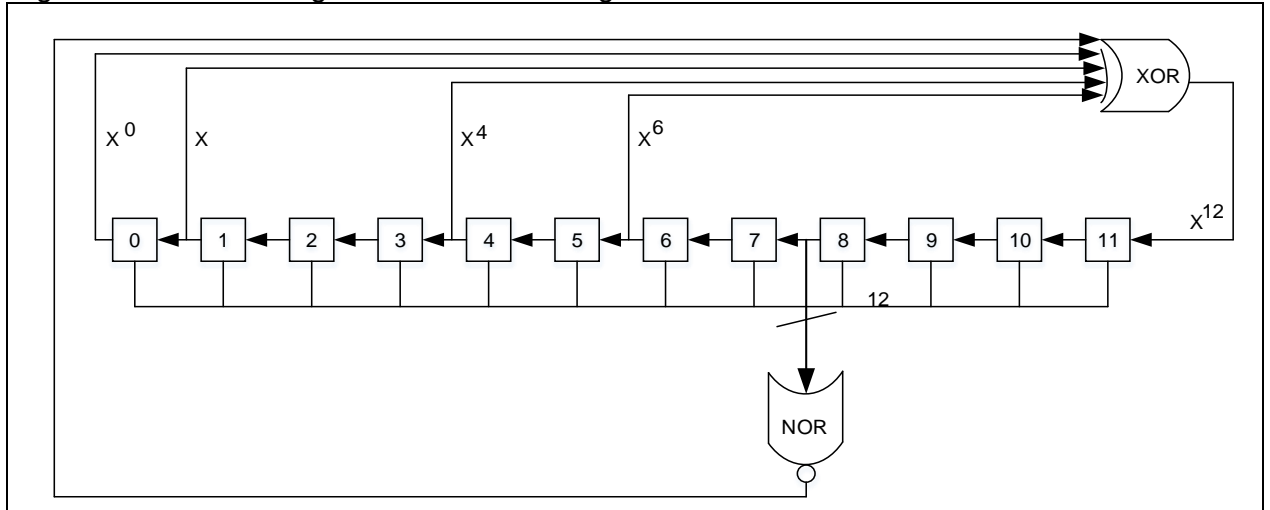
20.4.2 Noise/Triangular-wave generation

The DAC can output a variable-amplitude pseudorandom and a triangular wave, which is done by the LFNear Feedback Shift Register and triangle wave generator respectively. The DAC noise generation is selected by setting $DxNM[1:0]=01$ in the LFSR, while the DAC triangular-wave generation is selected by setting the $DxNM[1:0]=1x$.

LFSR logic

The preloaded value in the LFSR is 0xAAA. This register is updated after each trigger event based on a specific calculation algorithm.

Figure 20-2 LFSR register calculation algorithm



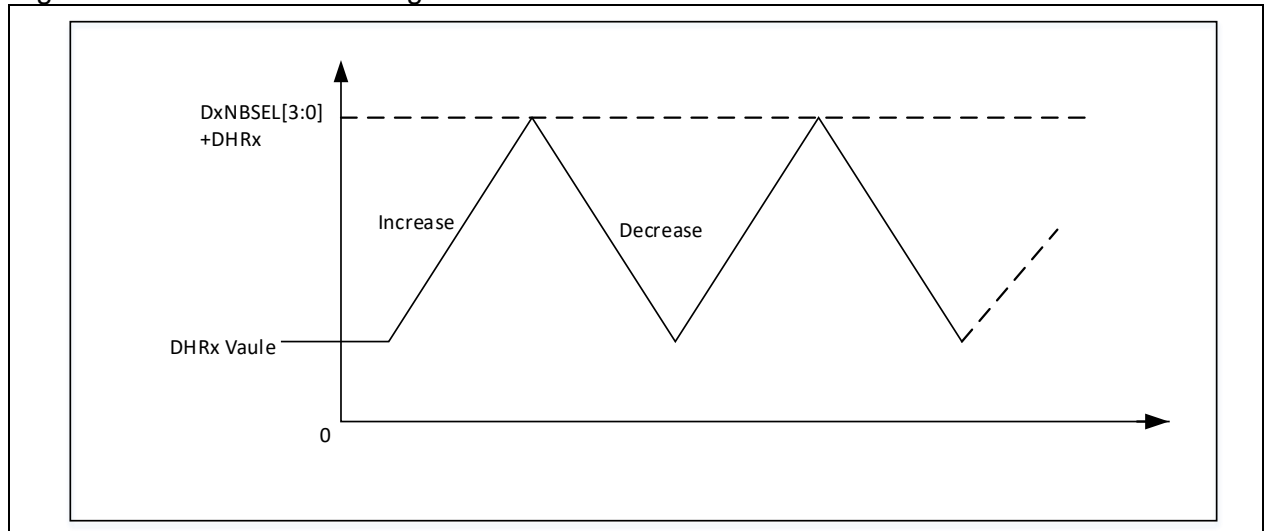
The $DxNBSEL [3: 0]$ bit in the DAC_CTRL register is set to mark partially or totally the LFSR data. The resulting value is then added up to the $DHRx$ value without overflow and this value is loaded into the DAC_DxODT register. It is possible to disable LFSR function and reset LFSR wave generation algorithm by setting $DxNM[1: 0]=00$.

Triangular wave logic

The DAC triangular-wave generation is selected by setting $DxNM[1: 0]=1x$. The amplitude is configured through the $DxNBSEL [3: 0]$ bit in the DAC_CTRL register. An internal triangular-wave counter is incremented at each trigger event. Once the maximum amplitude programmed in the $DxNBSEL [3: 0]$ is reached, the value of this counter is decremented down to 0, then incremented again, and so on.

Meanwhile, the value of this counter is then added up to the $DHRx$ register without overflow and the resulting value is loaded into the DAC_DxODT register. It is possible to disable/reset the triangular-wave generation by setting $DxNM[1: 0]=00$.

Figure 20-3 Triangular-wave generation



20.4.3 DAC data alignment

The DAC supports a single DAC and dual DA mode. The data format is dependent on the selected configuration mode.

Single DAC data format:

8-bit right alignment: load data into the DAC_DxDTH8R [7:0]

12-bit left alignment: load data into the DAC_DxDTH12L [15: 4]

12-bit right alignment: load data in the DAC_DxDTH12R [11: 0]

Dual DAC data format:

8-bit right alignment: load data into the DAC_DDTH8R [7: 0] and DAC_DDTH8R [15: 8]

12-bit left alignment: load data into the DAC_DDTH12L [15: 4] and DAC_DDTH12L [31: 20]

12-bit right alignment: load data into the DAC_DDTH12R [11: 0] and DAC_DDTH12R [27:16]

The loaded 8-bit data corresponds to the DHRx[11:4] and the loaded 12-bit data corresponds to the DHRx[11: 0]

20.5 DAC registers

These peripheral registers must be accessed by word (32 bits).

Table 20-2 DAC register map and reset values

Register	Offset	Reset value
DAC_CTRL	000h	0x0000 0000
DAC_SWTRG	004h	0x0000 0000
DAC_D1DTH12R	008h	0x0000 0000
DAC_D1DTH12L	00Ch	0x0000 0000
DAC_D1DTH8R	010h	0x0000 0000
DAC_D2DTH12R	014h	0x0000 0000
DAC_D2DTH12L	018h	0x0000 0000
DAC_D2DTH8R	01Ch	0x0000 0000
DAC_DDTH12R	020h	0x0000 0000
DAC_DDTH12L	024h	0x0000 0000
DAC_DDTH8R	028h	0x0000 0000
DAC_D1ODT	02Ch	0x0000 0000
DAC_D2ODT	030h	0x0000 0000

20.5.1 DAC control register (DAC_CTRL)

Bit	Register	Reset value	Type	Description
Bit 31: 29	Reserved	0x0	resd	Kept at its default value
				DAC2 DMA transfer enable
Bit 28	D2DMAEN	0x0	rw	This bit is set and cleared by software. 0: DAC2 DMA mode disabled 1: DAC2 DMA mode enabled
				DAC2 noise bitselect
				These bits are used to select the mark bit in noise generation mode or amplitude in triangular-wave generation mode.
Bit 27: 24	D2NBSEL	0x0	rw	0000: Unmask LSFR bit0 /Triangle amplitude is equal to 1 0001: Unmask LSFR bit[1: 0] /Triangle amplitude is equal to 3 0010: Unmask LSFR bit[2: 0] /Triangle amplitude is equal to 7

				0011: Unmask LSFR bit[3: 0] /Triangle amplitude is equal to 15 0100: Unmask LSFR bit[4: 0] /Triangle amplitude is equal to 31 0101: Unmask LSFR bit[5: 0] /Triangle amplitude is equal to 63 0110: Unmask LSFR bit[6: 0] /Triangle amplitude is equal to 127 0111: Unmask LSFR bit[7: 0] /Triangle amplitude is equal to 255 1000: Unmask LSFR bit[8: 0] /Triangle amplitude is equal to 511 1001: Unmask LSFR bit[9: 0] /Triangle amplitude is equal to 1023 1010: Unmask LSFR bit[10:0] /Triangle amplitude is equal to 2047 ≥1011: Unmask LSFR bit[11: 0] /Triangle amplitude is equal to 4095
Bit 23: 22	D2NM	0x0	rw	DAC2 noise mode 00: Wave generation disabled 01: Noise wave generation enabled 1x: Triangular wave generation enabled
Bit 21: 19	D2TRGSEL	0x0	rw	DAC2 trigger select 000: TMR6 TRGOUT event 001: TMR8 TRGOUT event 010: TMR7 TRGOUT event 011: TMR5 TRGOUT event 100: TMR2 TRGOUT event 101: TMR4 TRGOUT event 110: External interrupt line 9 111: Software trigger Note: These bits can be valid only when D2TRGEN = 1.
Bit 18	D2TRGEN	0x0	rw	DAC2 trigger enable 0: DAC2 trigger disabled 1: DAC2 trigger enabled Note: When the DAC2 trigger is disabled, the data written into the DAC_D2DTHx register is transferred into the DAC_D2ODT register after one APB1 clock cycle. When the DAC2 trigger is enabled, the data written into the DAC_D2DTHx register is transferred into the DAC_D2ODT register after three APB1 clock cycles If the software trigger is selected, it takes one APB1 clock cycle to have the data written into the DAC_D2DTHx register transferred into the DAC_D2ODT register.
Bit 17	D2OBDIS	0x0	rw	DAC2 output buffer disable 0: DAC2 output buffer enabled 1: DAC2 output buffer disabled
Bit 16	D2EN	0x0	rw	DAC2 enable 0: DAC2 disabled 1: DAC2 enabled
Bit 15: 13	Reserved	0x0	resd	Kept at its default value
Bit 12	D1DMAEN	0x0	rw	DAC1 DMA transfer enable 0: DAC1 DMA transfer disabled 1: DAC1 DMA transfer enabled

				<p>DAC1 noise bit select</p> <p>These bits are used to select the mark bit in noise generation mode or amplitude in triangular-wave generation mode.</p> <p>0000: Unmask LSFR bit0/Triangle amplitude is equal to 1</p> <p>0001: Unmask LSFR bit[1:0]/Triangle amplitude is equal to 3</p> <p>0010: Unmask LSFR bit[2: 0]/Triangle amplitude is equal to 7</p> <p>0011: Unmask LSFR bit[3: 0]/Triangle amplitude is equal to 15</p> <p>0100: Unmask LSFR bit[4: 0]/Triangle amplitude is equal to 31</p> <p>0101: Unmask LSFR bit[5: 0]/Triangle amplitude is equal to 63</p> <p>0110: Unmask LSFR bit[6: 0]/Triangle amplitude is equal to 127</p> <p>0111: Unmask LSFR bit[7: 0]/Triangle amplitude is equal to 255</p> <p>1000: Unmask LSFR bit[8: 0]/Triangle amplitude is equal to 511</p> <p>1001: Unmask LSFR bit[9: 0]/Triangle amplitude is equal to 1023</p> <p>1010: Unmask LSFR bit[10: 0]/Triangle amplitude is equal to 2047</p> <p>≥1011: Unmask LSFR bit[11:0]/Triangle amplitude is equal to 4095</p>
Bit 11: 8	D1NBSEL	0x0	rw	
				<p>DAC1 noise mode</p> <p>00: Wave generation disabled</p> <p>01: Noise wave generation enabled</p> <p>1x: Triangular wave generation enabled</p>
Bit 7: 6	D1NM	0x0	rw	
				<p>DAC1 trigger select</p> <p>000: TMR6 TRGOUT event</p> <p>001: TMR8 TRGOUT event</p> <p>010: TMR7 TRGOUT event</p> <p>011: TMR5 TRGOUT event</p> <p>100: TMR2 TRGOUT event</p> <p>101: TMR4 TRGOUT event</p> <p>110: External interrupt line 9</p> <p>111: Software trigger</p> <p>Note: These bits can be valid only when D1TRGEN = 1.</p>
Bit 5: 3	D1TRGSEL	0x0	rw	
				<p>DAC1 trigger enable</p> <p>0: DAC1 trigger disabled</p> <p>1: DAC1 trigger enabled</p> <p>Note:</p> <p>When the DAC1 trigger is disabled, the data written into the DAC_D1DTHx register is transferred into the DAC_D1ODT register after one APB1 clock cycle.</p> <p>When the DAC1 trigger is enabled, the data written into the DAC_D1DTHx register is transferred into the DAC_D1ODT register after three APB1 clock cycles</p> <p>If the software trigger is selected, it takes one APB1 clock cycle to have the data written into the DAC_D1DTHx register transferred into the DAC_D1ODT register.</p>
Bit 2	D1TRGEN	0x0	rw	
				<p>DAC1 output buffer disable</p> <p>0: DAC1 output buffer enabled</p>
Bit 1	D1OBDIS	0x0	rw	

				1: DAC1 output buffer disabled
				DAC1 enable
Bit 0	D1EN	0x0	rw	0: DAC1 disabled 1: DAC1 enabled

20.5.2 DAC software trigger register (DAC_SWTRG)

Bit	Register	Reset value	Type	Description
Bit 31:2	Reserved	0x0000 0000	resd	Kept at its default value
				DAC2 software trigger
				0: DAC2 software trigger disabled 1: DAC2 software trigger enabled
Bit 1	D2SWTRG	0x0	rw	Note: This bit is cleared by hardware (one APB1 clock cycle later) once the DAC_D2DTH data is loaded into the DAC_D2ODT register.
				DAC1 software trigger
				0: DAC1 software trigger disabled 1: DAC1 software trigger enabled
Bit 0	D1SWTRG	0x0	rw	Note: This bit is cleared by hardware (one APB1 clock cycle later) once the DAC_D1DTH data is loaded into the DAC_D1ODT register.

20.5.3 DAC1 12-bit right-aligned data holding register (DAC_D1DTH12R)

Bit	Register	Reset value	Type	Description
Bit 31:12	Reserved	0x00000	resd	Kept at its default value
Bit 11:0	D1DT12R	0x000	rw	DAC1 12-bit right-aligned data

20.5.4 DAC1 12-bit left-aligned data holding register (DAC_D1DTH12L)

Bit	Register	Reset value	Type	Description
Bit 31:16	Reserved	0x0000	resd	Kept at its default value
Bit 15:4	D1DT12L	0x000	rw	DAC1 12-bit left-aligned data
Bit 3:0	Reserved	0x0	resd	Kept at its default value

20.5.5 DAC1 8-bit right-aligned data holding register (DAC_D1DTH8R)

Bit	Register	Reset value	Type	Description
Bit 31:8	Reserved	0x000000	resd	Kept at its default value
Bit 7:0	D1DT8R	0x00	rw	DAC1 8-bit right-aligned data

20.5.6 DAC2 12-bit right-aligned data holding register (DAC_D2DTH12R)

Bit	Register	Reset value	Type	Description
Bit 31:12	Reserved	0x00000	resd	Kept at its default value
Bit 11:0	D2DT12R	0x000	rw	DAC2 12-bit right-aligned data

20.5.7 DAC2 12-bit left-aligned data holding register (DAC_D2DTH12L)

Bit	Register	Reset value	Type	Description
Bit 31: 16	Reserved	0x0000	resd	Kept at its default value
Bit 15: 4	D2DTH12L	0x000	rw	DAC2 12-bit left-aligned data
Bit 3: 0	Reserved	0x0	resd	Kept at its default value

20.5.8 DAC2 8-bit right-aligned data holding register (DAC_D2DTH8R)

Bit	Register	Reset value	Type	Description
Bit 31: 8	Reserved	0x000000	resd	Kept at its default value
Bit 7: 0	D2DTH8R	0x00	rw	DAC2 8-bit right-aligned data

20.5.9 Dual DAC 12-bit right-aligned data holding register (DAC_DDTH12R)

Bit	Register	Reset value	Type	Description
Bit 31: 28	Reserved	0x0	resd	Kept at its default value
Bit 27: 16	DD2DT12R	0x000	rw	DAC2 12-bit right-aligned data
Bit 15: 12	Reserved	0x0	resd	Kept at its default value
Bit 11: 0	DD1DT12R	0x000	rw	DAC1 12-bit right-aligned data

20.5.10 Dual DAC 12-bit left-aligned data holding register (DAC_DDTH12L)

Bit	Register	Reset value	Type	Description
Bit 31: 20	DD2DT12L	0x000	rw	DAC2 12-bit left-aligned data
Bit 19: 16	Reserved	0x0	resd	Kept at its default value
Bit 15: 4	DD1DT12L	0x000	rw	DAC1 12-bit left-aligned data
Bit 3: 0	Reserved	0x0	resd	Kept at its default value

20.5.11 Dual DAC 8-bit right-aligned data holding register (DAC_DDTH8R)

Bit	Register	Reset value	Type	Description
Bit 31: 16	Reserved	0x0000	resd	Kept at its default value
Bit 15: 8	DD2DT8R	0x00	rw	DAC2 8-bit right-aligned data
Bit 7: 0	DD1DT8R	0x00	rw	DAC1 8-bit right-aligned data

20.5.12 DAC1 data output register (DAC_D1ODT)

Bit	Register	Reset value	Type	Description
Bit 31: 12	Reserved	0x000000	resd	Kept at its default value
Bit 11: 0	D1ODT	0x000	rw	DAC1 output data

20.5.13 DAC2 data output register (DAC_D2ODT)

Bit	Register	Reset value	Type	Description
Bit 31: 12	Reserved	0x000000	resd	Kept at its default value
Bit 11: 0	D2ODT	0x000	rw	DAC2 output data

21 CAN

21.1 CAN introduction

CAN (Controller Area Network) is a distributed serial communication protocol for real-time and reliable data communication among various nodes. It supports the CAN protocol version 2.0A and 2.0B.

21.2 CAN main features

- Baud rates up to 1M bit/s
- Supports the time triggered communication
- Interrupt enable and mask
- Configurable automatic retransmission mode

Transmission

- Three transmit mailboxes
- Configurable transmit priority
- Supports the time stamp on transmission

Reception

- Two FIFOs with three-level depth
- 14 filter banks
- Supports the identifier list mode
- Supports the identifier mask mode
- FIFO overrun management

Time triggered communication mode

- 16-bit timers
- Time stamp on transmission

21.3 Baud rate

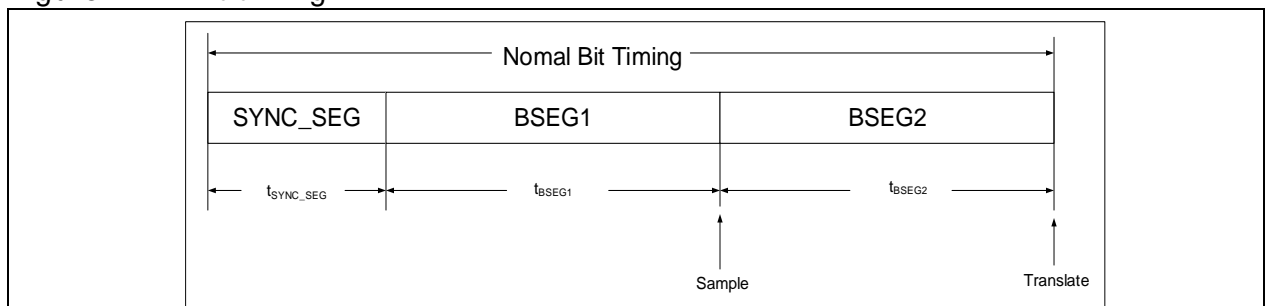
The nominal bit time of the CAN bus consists of three parts as follows:

Synchronization segment (SYNC_SEG): This segment has one time unit, and its time duration is defined by the BRDIV[11: 0] bit in the CAN_BTMG register.

Bit segment 1 (BIT SEGMENT 1): It is referred to as BSEG1 including the PROP_SEG and PHASE_SEG1 of the CAN standard. Its duration is between 1 and 16 time units, defined by the BTS1[3: 0] bit.

Big segment 2 (BIT SEGMENT 2): It is referred to as BSEG2 including the PHASE_SEG2 of the CAN standard. Its duration is between 1 and 8 time units, defined by the BTS2[2: 0] bit.

Figure 21-1 Bit timing



Baud rate formula:

$$BaudRate = \frac{1}{Nomal\ Bit\ Timimg}$$

$$Nomal\ Bit\ Timimg = t_{SYNC_SEG} + t_{BSEG1} + t_{BSEG2}$$

where

$$t_{SYNC_SEG} = 1 \times t_q$$

$$t_{BSEG1} = (1 + BTS1[3:0]) \times t_q$$

$$t_{BSEG2} = (1 + BTS2[2:0]) \times t_q$$

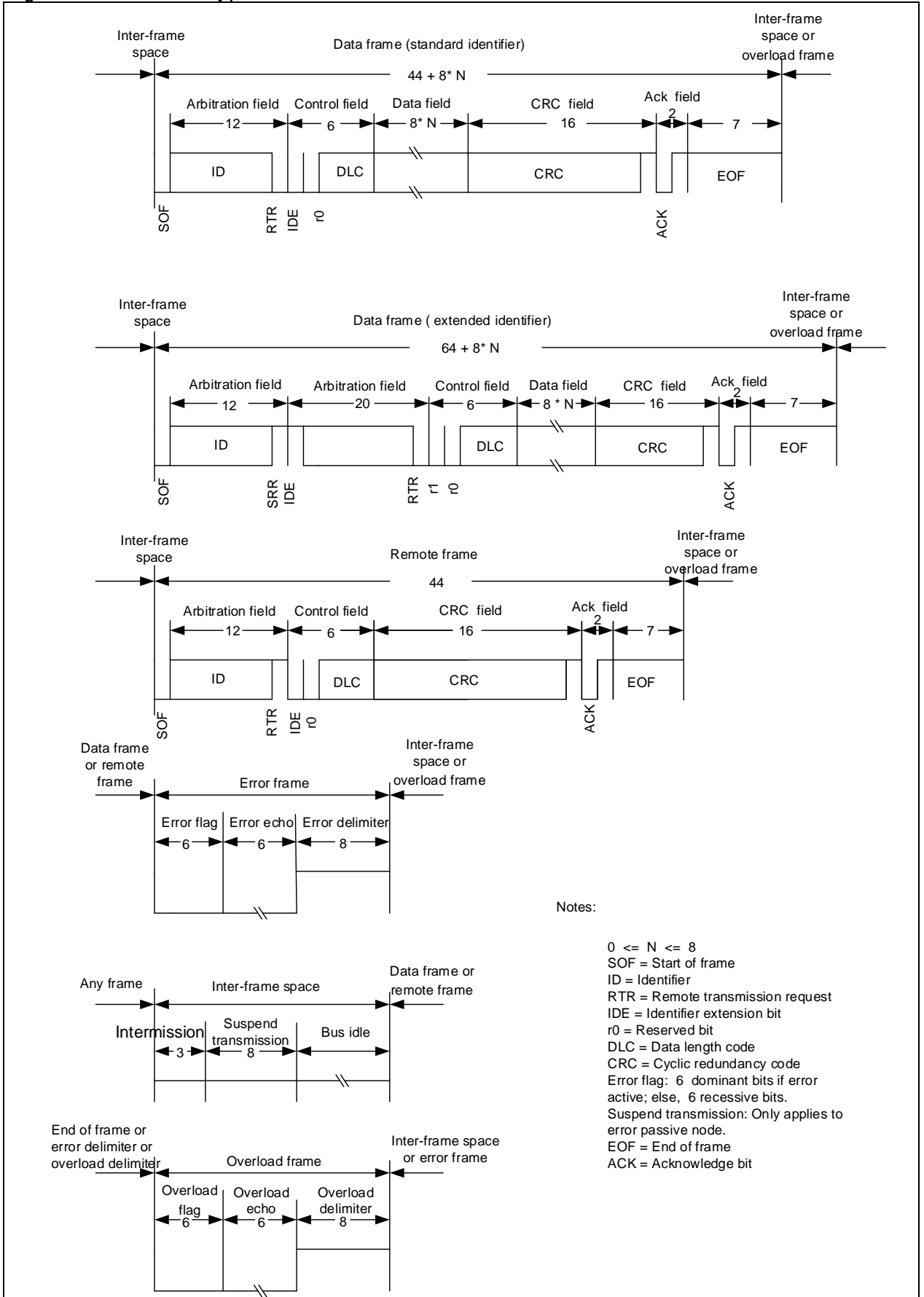
$$t_q = (1 + BRDIV[11:0]) \times t_{pclk}$$

Hard synchronization and resynchronization

The start location of each bit in CAN nodes is always in synchronization segment by default, and the sampling is performed at the edge location of bit segment 1 and big segment 2 simulatenously.

During the actual transmission, each bit of the CAN nodes has certain phase error due to the oscillator drift, transmission delay among the network nodes and noise interference. To avoid the impact on the communication, the start-bit edge and its subsequent falling edge can be synchronized or resynchronized. The time length of the synchronization compensation can not be greater than the resynchronization width (1 to 4 time units, defined by the RSAW[1: 0] bit).

Figure 21-2 Frame type



21.4 Interrupt management

The CAN controller contains four interrupt vectors that can be used to enable or disable interrupts by setting the CAN_INTEN register.

Figure 21-3 Transmit interrupt generation

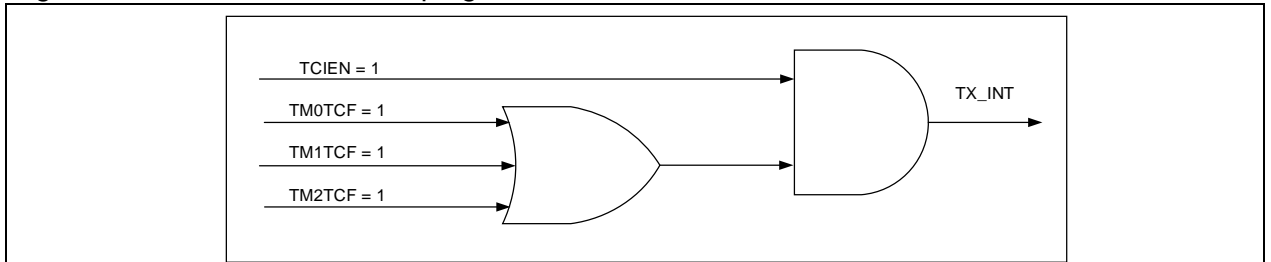


Figure 21-4 Receive interrupt 0 generation

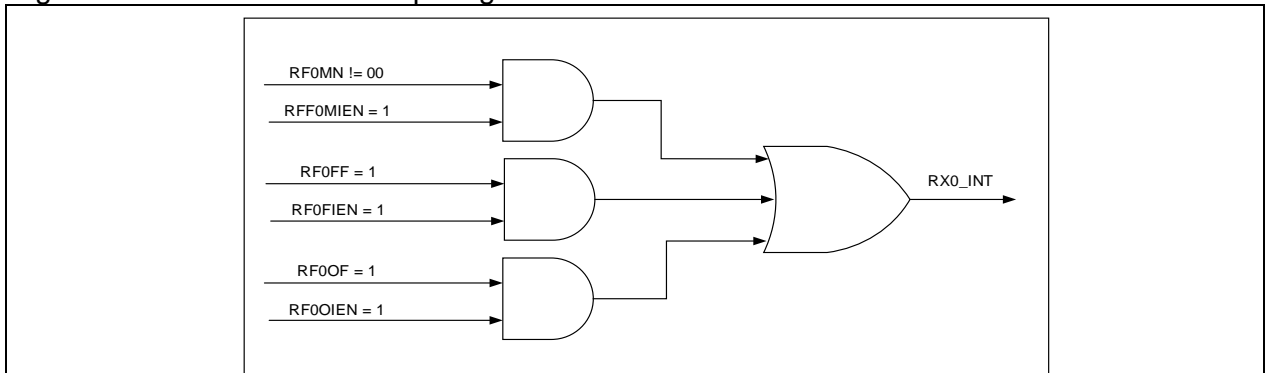


Figure 21-5 Receive interrupt 1 generation

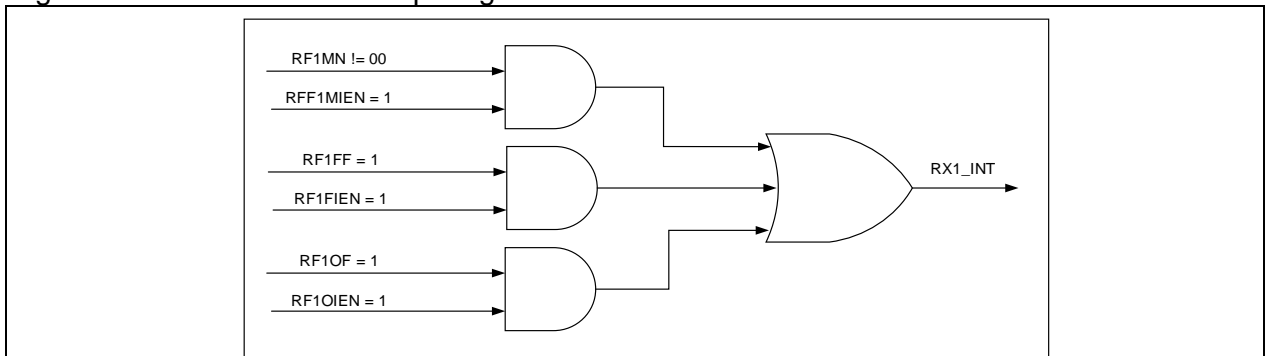
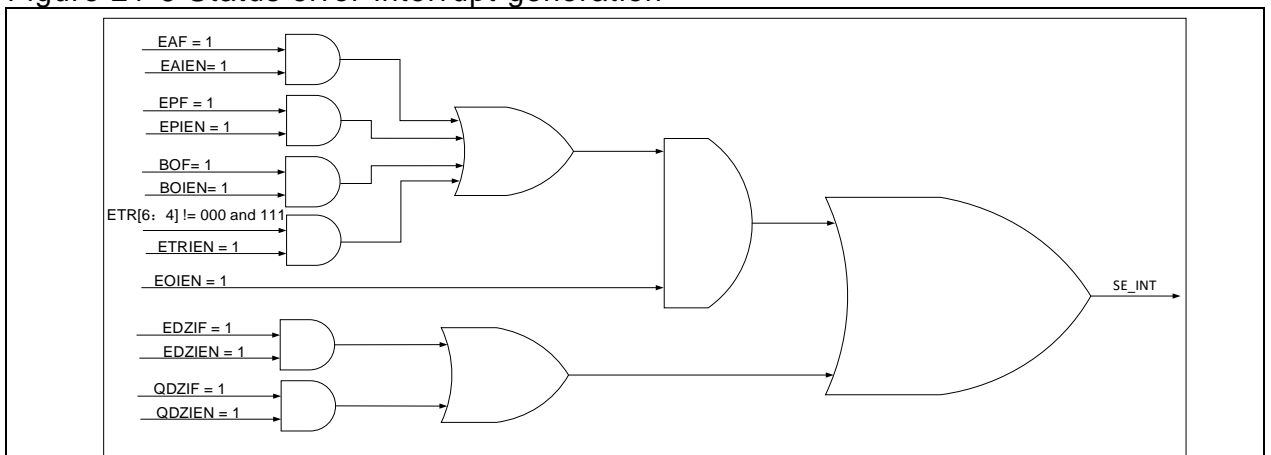


Figure 21-6 Status error interrupt generation



21.5 Interrupt management

The following information can be used as reference for CAN application development:

- **Debug control**
When the system enters the debug mode, the CAN controller stops or continues to work normally, depending on the CANx_PAUSE bit in the DEBUG_CTRL register or the PTD bit in the CAN_MCTRL register.
- **Time triggered communication**
The timer triggered communication is used to improve the real-time performance so as to avoid bus competition. It is activated by setting TTCEN=1 in the CAN_MCTRL register. The internal 16-bit timer is incremented each CAN bit time, and is sampled on the Start Of Frame bit to generate the time stamp value, which is stored in the CAN_RFCx and CAN_TMCx register.
- **Register access protection**
The CAN_BTMG register can be modified only when the CAN is in frozen mode.

Although the transmission of incorrect data will not cause problems at the network level, it can have severe impact on the application. Thus a transmit mailbox can be modified only when it is in empty state.

The filter configuration in the CAN_FMCFG, CAN_FBWCFG and CAN_FRF registers can be modified only when FCS=1. The CAN_FiBx register can be modified only when FCS=1 or FAENx=0.

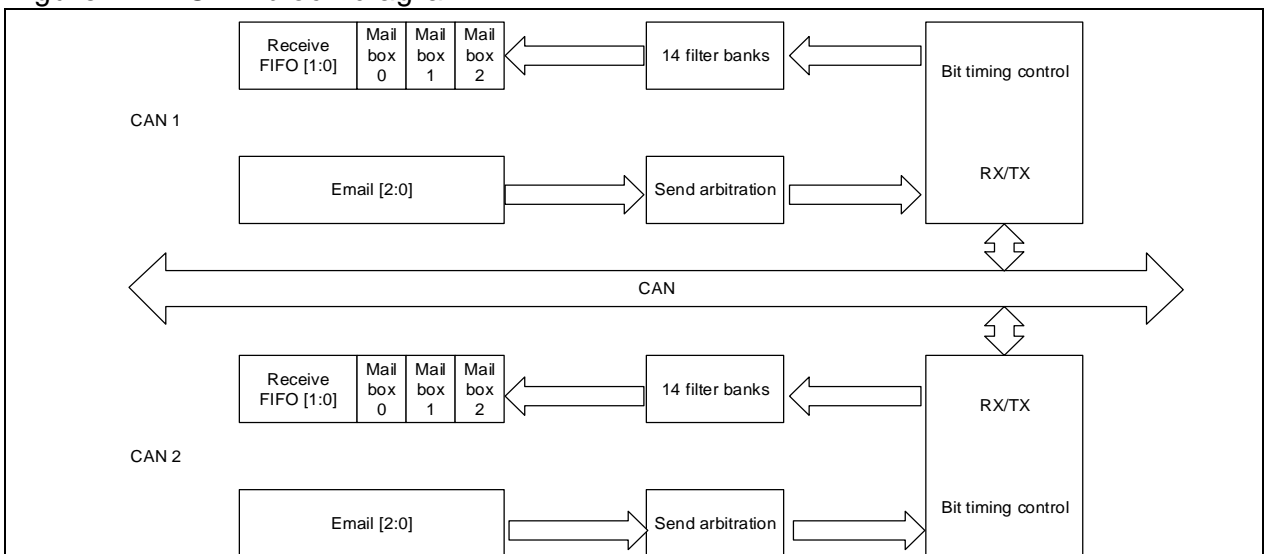
21.6 Function overview

21.6.1 General description

As the number of nodes in the CAN network and the number of messages grows, an enhanced filtering mechanism is required to handle all types of messages in order to reduce the processing time of message reception. A FIFO scheme is used to ensure that the CPU can concentrate on application tasks for a long period of time without the loss of messages. In the meantime, the priority order of the messages to be transmitted is configured by hardware. Standard identifiers (11-bit) and extended identifiers (29-bit) are fully supported by hardware.

Based on the above mentioned conditions, the CAN controller provides 14 scalable/configurable identifier filter banks, 2 receive FIFOs with storing 3 complete messages each and being totally managed by hardware, and 3 transmit mailboxes with their transmit priority order defined by the transmit scheduler.

Figure 21-7 CAN block diagram



21.6.2 Operating modes

The CAN controller has three operating modes:

- **Sleep mode**

After a system reset, the CAN controller is in Sleep mode. In this mode, the CAN clock is stopped to reduce power consumption and an internal pull-up resistance is disabled. However, the software can still access to the mailbox registers.

The software requests the CAN controller to enter Sleep mode by setting the DZEN bit in the CAN_MCTRL register. The hardware confirms the request by setting the DZC bit in the CAN_MSTS register.

Exit Sleep mode in two ways: The CAN controller can be woke up by hardware clearing the DZEN bit when the AEDEN bit in the CAN_MCTRL register and the CAN bus activity is detected. It can also be woke up by software clearing the DZEN bit.

Switch to Frozen mode: The CAN controller switches from Sleep mode to Frozen mode when the FZEN bit is set in the CAN_MCTRL register and the DZEN bit is cleared. Such switch operation is confirmed by hardware setting the FZC bit in the CAN_MSTS register.

Switch to Communication mode: The CAN controller enters Communication mode when the FZEN and DZEN bits are both cleared and the CAN controller has synchronized with the bus. In other words, it must wait for 11 consecutive recessive bits to be detected on the CANRX pin.

- **Frozen mode**

The software initialization can be done only in Frozen mode, including the CAN_BTMG and CAN_MCTRL registers. But the initialization of the 14 CAN filter banks (mode, scale, FIFO association, activation and filter values) can be done in non-Frozen mode. When the CAN controller is in Frozen mode, message reception and transmission are both disabled.

Switch to Communication mode: The CAN controller leaves Frozen mode when the FZEN bit is cleared in the CAN_MCTRL register. This switch operation is confirmed by hardware clearing the FZC bit in the CAN_MSTS register. The CAN controller must be synchronized with the bus.

Switch to Sleep mode: The CAN controller enters Sleep mode if DZEN=1 and FZEN=0 in the CAN_MCTRL register. This switch operation is confirmed by hardware setting the DZC bit in the CAN_MSTS register.

- **Communication mode**

After the CAN_BTMG and CAN_MCTRL registers are configured in Frozen mode, the CAN controller enters Communication mode and is ready for message reception and transmission.

Switch to Sleep mode: The CAN controller switches to Sleep mode when the DZEN bit is set in the CAN_MCTRL register and the current CAN bus transmission is complete.

Switch to Frozen mode: The CAN controller enters Frozen mode when the FZEN bit is set in the CAN_MCTRL register and the current CAN bus transmission is complete.

21.6.3 Test modes

The CAN controller defines three test modes, including Listen-only mode, Loop back mode and combined Listen-only and Loop back mode. Test mode can be selected by setting the LOEN and LBEN bits in the CAN_BTMG register.

- Listen-only mode is selected when the LOEN bit is set in the CAN_BTMG register. In this mode, the CAN is able to receive data, but only recessive bits are output on the CANTX pin. In the meantime, the dominant bits output on the CANTX can be monitored by the receive side but without affecting the CAN bus.
- Loop back mode is selected by setting the LBEN bit in the CAN_BTMG register. In this mode, The CAN only receives the level signal on its CANTX pin. Meanwhile, the CAN can also send data to the external bus. The Loop back mode is mainly used for self-test functions.
- It is possible to combine the Listen-only and Loop back mode by setting the LOEN and LBEN bits in the CAN_BTMG register. In this case, the CAN is disconnected from the bus network, the CANTX pin remains in recessive state, and the transmit side is connected to the receive side.

21.6.4 Message filtering

The received message has to go through filtering by its identifier. If passed, the message will be stored in the corresponding FIFOs. If not, the message will be discarded. The whole operation is done by hardware without using CPU resources.

Filter bit width

The CAN controller provides 14 configurable and scalable filter banks (0~13). Each filter bank has two 32-bit registers, CAN_FiFB1 and CAN_FiFB2. The filter bit width can be configured as two 16 bits or one 32 bits, depending on the corresponding bits in the CAN_FBWCFG register.

32-bit filter register CAN_FiFBx includes the SID[10: 0], EID[17: 0], IDT and RTR bits.

CAN_FiFB1[31: 21]	CAN_FiFB1[20: 3]	CAN_FiFB1[2: 0]		
CAN_FiFB2[31: 21]	CAN_FiFB2[20: 3]	CAN_FiFB2[2: 0]		
SID[10: 0]/EID[28: 18]	EID[17: 0]	IDT	RTR	0

Two 16-bit filter register CAN_FiFBx includes SID[10: 0], IDT, RTR and EID[17: 15] bits

CAN_FiFB1[31: 21]	CAN_FiFB1[20: 19]	CAN_FiFB1[18: 16]	CAN_FiFB1[15: 5]	CAN_FiFB1[4: 3]	CAN_FiFB1[2: 0]
CAN_FiFB2[31: 21]	CAN_FiFB2[20: 19]	CAN_FiFB2[18: 16]	CAN_FiFB2[15: 5]	CAN_FiFB2[4: 3]	CAN_FiFB2[2: 0]
SID[10: 0]	IDT	RTR	EID[17: 15]	SID[10: 0]	IDT RTR EID[17: 15]

Filtering mode

The filter can be configured in identifier mask mode or in identifier list mode by setting the FMSELx bit in the CAN_FMCFG register. The mask mode is used to specify which bits must match the pre-programmed identifiers, and which bits do not need. In identifier list mode, the identifier must match the pre-programmed identifier. The two modes can be used in conjunction with filter width to deliver four filtering modes below:

Figure 21-8 32-bit identifier mask mode

ID	CAN_FiFB1[31:21]	CAN_FiFB1[20:3]	CAN_FiFB1[2:0]
Mask	CAN_FiFB2[31:21]	CAN_FiFB2[20:3]	CAN_FiFB2[2:0]
Mapping	SID[10:0]	EID[17:0]	IDT RTR 0

Figure 21-9 32-bit identifier list mode

ID	CAN_FiFB1[31:21]	CAN_FiFB1[20:3]	CAN_FiFB1[2:0]
ID	CAN_FiFB2[31:21]	CAN_FiFB2[20:3]	CAN_FiFB2[2:0]
Mapping	SID[10:0]	EID[17:0]	IDT RTR 0

Figure 21-10 16-bit identifier mask mode

ID	CAN_FiFB1[15:5]	CAN_FiFB1[4:0]
Mask	CAN_FiFB1[31:21]	CAN_FiFB1[20:16]
ID	CAN_FiFB2[15:5]	CAN_FiFB2[4:0]
Mask	CAN_FiFB2[31:21]	CAN_FiFB2[20:16]
Mapping	SID[10:0]	RTR IDT EID[17:15]

Figure 21-11 16-bit identifier list mode

ID	CAN_FiFB1[15:8]	CAN_FiFB1[7:0]
ID	CAN_FiFB1[31:24]	CAN_FiFB1[23:16]
ID	CAN_FiFB2[15:8]	CAN_FiFB2[7:0]
ID	CAN_FiFB2[31:24]	CAN_FiFB2[23:16]
Mapping	SID[10:0]	RTR IDT EID[17:15]

Filter match number

14 filter banks have different filtering effects dependent on the bit width mode. For example, 32-bit identifier mask mode contains the filters numbered n while 16-bit identifier list mode contains the filters numbered n, n+1, n+2 and n+3. When a frame of message passes through the filter number N, the number N is stored in the RFFMN[7: 0] bit in the CAN_RFCx register. The distribution of the filter number does not take into account the activation state of the filter banks.

The following are examples of filter numbering

Filter bank	RIFO0	Active	Filter number	Filter bank	RIFO1	Active	Filter number				
0	CAN_F0FB1[31: 0]-ID	Yes	0	3	CAN_F3FB1[15: 0]-ID	Yes	0				
	CAN_F0FB2[31: 0]-ID		1		CAN_F3FB1[31: 16]-ID		1				
1	CAN_F1FB1[15: 0]-ID	Yes	2		CAN_F3FB2[15: 0]-ID		2	4	CAN_F4FB1[31: 0]-ID	Yes	4
	CAN_F1FB1[31: 16]-ID		3	CAN_F3FB2[31: 16]-ID	3						
	CAN_F1FB2[15: 0]-ID		4	CAN_F4FB2[31: 0]-Mask	4						
2	CAN_F2FB1[31: 0]-ID	Yes	6	5	CAN_F5FB1[15: 0]-ID	No	5	7	CAN_F6FB1[15: 0]-ID	No	7
	CAN_F2FB2[31: 0]-Mask		5		CAN_F5FB1[31: 16]-Mask		5				
6	CAN_F6FB1[31: 16]-Mask	No	7		CAN_F5FB2[15: 0]-ID		No		6		8
	CAN_F6FB2[15: 0]-ID		8	CAN_F5FB2[31: 16]-Mask	6						
	CAN_F6FB2[31: 16]-Mask		9	CAN_F7FB1[15: 0]-ID	7						
9	CAN_F9FB1[31: 0]-ID	No	9	7	CAN_F7FB1[31: 16]-ID	No	8	9	CAN_F7FB2[15: 0]-ID	No	9
	CAN_F9FB2[31: 0]-ID		10		CAN_F7FB2[31: 16]-ID		10				
10	CAN_F10FB1[15: 0]-ID	Yes	11		8		CAN_F8FB1[31: 0]-ID		Yes		11
	CAN_F10FB1[31: 16]-Mask		11	CAN_F8FB2[31: 0]-Mask		11					
	CAN_F10FB2[15: 0]-ID		12	CAN_F11FB2[31: 0]-ID		13					
12	CAN_F10FB2[31: 16]-Mask	No	12	13	CAN_F13FB1[15: 0]-ID	Yes	14	15	CAN_F13FB1[31: 16]-ID	Yes	15
	CAN_F12FB1[15: 0]-ID		13		CAN_F13FB2[15: 0]-ID		16				
	CAN_F12FB1[31: 16]-ID		14		CAN_F13FB2[31: 16]-ID		17				
	CAN_F12FB2[15: 0]-ID		15								
	CAN_F12FB2[31: 16]-ID		16								

Priority rules

When the CAN controller receives a frame of message, the message may pass through several filters. In this case, the filter match number stored in the receive mailbox is determined according to the following priority rules:

- A 32-bit filter has priority over a 16-bit filter
- For filters with identical bit width, the identifier list mode has priority over the identifier mask mode
- For filter with identical bit width and identifier mode, the lower number has priority over the higher number.

Filter configuration

- The CAN filters are configured by setting the FCS in the CAN_FCTRL register.
- Identifier mask mode or identifier list mode can be selected by setting the FMSELx bit in the CAN_FMCFG register.
- The filter bit width can be configured as two 16 bits or one 32 bits by setting the FBWSELx bit in the CAN_FBWCFG register.
- The filter x is associated with FIFO0 or FIFO1 by setting the FRFSELx bit in the CAN_FRF register.
- The filter banks x are activated by setting FAENx=1 in the CAN_FACFG register.
- Configure 0~13 filter banks by writing to the CAN_FiFBx register (i=0...13; x=1,2).
- Complete the CAN filter configuration by setting FCS=0 in the CAN_FCTRL register.

21.6.5 Message transmission

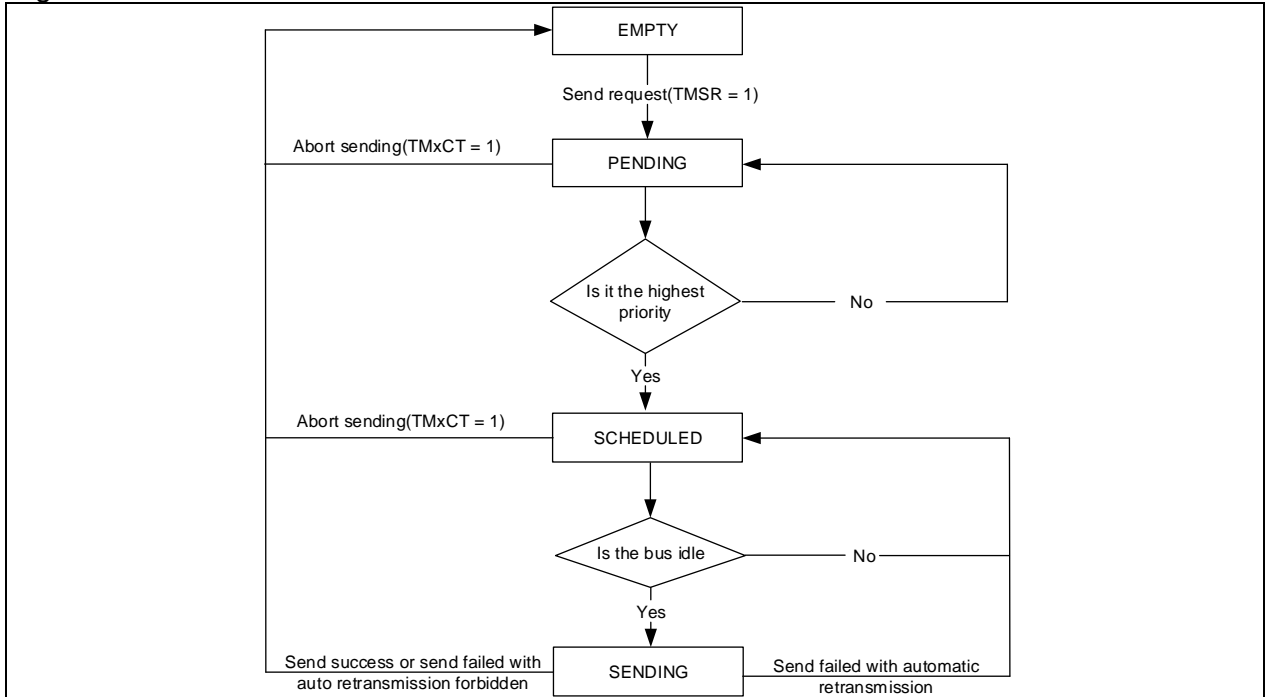
Register configuration

To transmit a message, it is necessary to select one transmit mailbox and configure it through the CAN_TMLx, CAN_TMCx, CAN_TMDTLx and CAN_TMDTHx registers. Once the mailbox configuration is complete, setting the TMSR bit in the CAN_TMLx register can initiate CAN transmission.

Message transmission

The mailbox enters pending state immediately after the mailbox is configured and the CAN controller receives the transmit request. At this point, the CAN controller will confirm whether the mailbox is given the highest priority or not. If yes, it will enter SCHEDULED STATE, otherwise, it will wait to get the highest priority. The mailbox in SCHEDULED state will monitor the CAN bus state so that the messages in SCHEDULED mailbox can be transmitted as soon as the CAN bus becomes idle. The mailbox will enter EMPTY state at the end of the message transmission.

Figure 21-12 Transmit mailbox status



Transmit priority configuration

When two or more transmit boxes are in PENDING state, their transmit priority must be given.

By identifier: When MMSSR=0 in the CAN_MCTRL register, the transmit order is defined by the identifier of the message in the mailbox. The message with lower identifier value has the highest priority. If the identifier values are the same, the message with lower mailbox number will be transmitted first.

By transmit request order: When MMSSR=1 in the CAN_MCTRL register, the transmit priority is given by the transmit request order of mailboxes.

Transmit status and error status

The TMxTCF, TMxTSF, TMxALF, TMxTEF and TMxEF bits in the CAN_TSTS register are used to indicate transmit status and error status.

TMxTCF bit: Transmission complete flag, indicating that the data transmission is complete when TMxTCF=1.

TMxTSF bit: Transmission success flag, indicating that the data has been transmitted successfully when TMxTSF =1.

TMxALF bit: Transmission arbitration lost flag, indicating that the data transmission arbitration is lost when TMxALF=1.

TMxTEF bit: Transmission error flag, indicating that the data transmission failed due to bus error, and an error frame is sent when TMxTEF=1.

TMxEF bit: Mailbox empty flag, indicating that the data transmission is complete and the mailbox becomes empty when TMxEF=1.

Transmit abort

The TMxCT bit is set in the CAN_TSTS register to abort the transmission of the current mailbox, detailed as follows:

When the current transmission fails or arbitration is lost, if the automatic retransmission mode is disabled, the transmit mailbox become EMPTY; if the automatic retransmission mode is enabled, the transmit mailbox becomes SCHEDULED, the mailbox transmission then is aborted and becomes EMPTY.

When the current transmission is complete successfully, the mailbox becomes EMPTY.

21.6.6 Message reception

Register configuration

The CAN_RFLx, CAN_RFCx, CAN_RFDTLx and CAN_RFDTHx registers can be used by user applications to obtain valid messages.

Message reception

The CAN controller boasts two FIFO with three levels to receive messages. FIFO rule is adopted. When the message is received correctly and has passed the identifier filtering, it is regarded as a valid message and is stored in the corresponding FIFO. The number of the received messages RFXMN[1: 0] will be incremented by one whenever the receive FIFO receives a valid message. If a valid message is received when RFXMN[1: 0]=3, the controller will select either to overwrite the previous messages or discard the new incoming message through the MDRSEL bit in the CAN_MCTRL register.

In the meantime, when the user reads a frame of message and the RFXR is set in the CAN_RFx register, one FIFO mailbox is released, and RFXMN[1: 0] bit is decremented by one in the CAN_RFx register.

Receive FIFO status

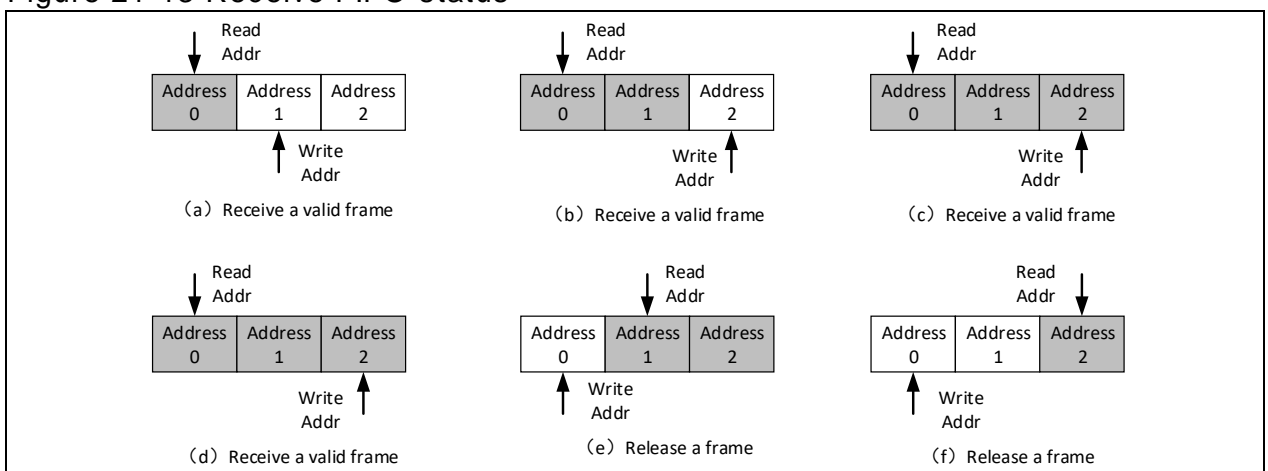
RFXMN[1: 0], RFXFF and RFXOF bits in the RFx register are used to indicate receive FIFO status.

RFXMN[1: 0]: indicates the number of valid messages stored in the FIFOx.

RFXFF: indicates that three valid messages are stroed in the FIFOx (i.e. the three mailboxes are full), as shown in (c) of Figure 21-13.

RFXOF: indicates that a new valid message has been received while the FIFOx is full, as shown in (d) of Figure 21-13.

Figure 21-13 Receive FIFO status



21.6.7 Error management

The status of CAN nodes is indicated by the receive error counter (TEC) and transmit error counter (REC) bits in the CAN_ESTS register. In the meantime, the ETR[2: 0] bit in the CAN_ESTS register is used to record the last error source, and the corresponding interrupts will be generated when the CAN_INTEN register is enabled.

- Error active flag: When both TEC and REC are lower than 128, the system is in the error active state. An error active flag is set when an error is detected.
- Error passive flag: When either TEC or REC is greater than 127, the system is in the error passive state. An error passive flag is set when an error is detected.
- Bus-off state: The bus-off state is entered when TEC is greater than 255. In this state, the CAN is no longer able to transmit and receive messages. There are two ways to resume CAN from bus-off state.

Option 1: When AEBOEN=0 in the CAN_MCTRL register, in communication mode, the software requests to enter Frozen mode and exit Frozen mode, and CAN will then resume from bus-off state after 128 occurrences of 11 consecutive recessive bits have been detected on the CAN RX pin.

Option 2: When AEBOEN=1 in the CAN_MCTRL register, the CAN will resume from bus-off state automatically after 128 occurrences of 11 consecutive recessive bits have been detected on the CAN RX pin

21.7 CAN registers

These peripheral registers must be accessed by word (32 bits).

Table 21-1 CAN register map and reset values

Register	Offset	Reset value
MCTRL	000h	0x0001 0002
MSTS	004h	0x0000 0C02
TSTS	008h	0x1C00 0000
RF0	00Ch	0x0000 0000
FR1	010h	0x0000 0000
INTEN	014h	0x0000 0000
ESTS	018h	0x0000 0000
BTMG	01Ch	0x0123 0000
Reserved	020h~17Fh	xx
TM0	180h	0xFFFF XXXX
TMC0	184h	0xFFFF XXXX
TMDTL0	188h	0xFFFF XXXX
TMDTH0	18Ch	0xFFFF XXXX
TM1	190h	0xFFFF XXXX
TMC1	194h	0xFFFF XXXX
TMDTL1	198h	0xFFFF XXXX
TMDTH1	19Ch	0xFFFF XXXX
TM2	1A0h	0xFFFF XXXX
TMC2	1A4h	0xFFFF XXXX
TMDTL2	1A8h	0xFFFF XXXX
TMDTH2	1ACh	0xFFFF XXXX
RFI0	1B0h	0xFFFF XXXX
RFC0	1B4h	0xFFFF XXXX
RFDTL0	1B8h	0xFFFF XXXX
RFDTH0	1BCh	0xFFFF XXXX
RFI1	1C0h	0xFFFF XXXX
RFC1	1C4h	0xFFFF XXXX
RFDTL1	1C8h	0xFFFF XXXX
RFDTH1	1CCh	0xFFFF XXXX
Reserved	1D0h~1FFh	xx
FCTRL	200h	0x2A1C 0E01
FMCFG	204h	0x0000 0000
Reserved	208h	xx
FBWCFG	20Ch	0x0000 0000

Reserved	210h	xx
FRF	214h	0x0000 0000
Reserved	218h	xx
FACFG	21Ch	0x0000 0000
Reserved	220h~23Fh	xx
F0FB1	240h	0xXXXX XXXX
F0FB2	244h	0xXXXX XXXX
F1FB1	248h	0xXXXX XXXX
F1FB2	24Ch	0xXXXX XXXX
...
F13FB1	2A8h	0xXXXX XXXX
F13FB2	2ACh	0xXXXX XXXX

21.7.1 CAN control and status registers

21.7.1.1 CAN master control register (CAN_MCTRL)

Bit	Register	Reset value	Type	Description
Bit 31: 17	Reserved	0x0000	resd	Kept at its default value.
				Prohibittrans when debug 0: Transmission works during debug 1: Transmission is prohibited during debug. Receive FIFO can be still accessible normally. Note: Transmission can be disabled only when PTD and CANx_PAUSE bits in the DEBUG_CTRL register are set simultaneously.
Bit 16	PTD	0x1	rw	Software partial reset 0: Normal 1: Software partial reset Note: SPRST only reset receive FIFO and MCTRL register. The CAN enters Sleep mode after reset. Then this bit is automatically cleared by hardware.
Bit 15	SPRST	0x0	rw1s	Software partial reset 0: Normal 1: Software partial reset Note: SPRST only reset receive FIFO and MCTRL register. The CAN enters Sleep mode after reset. Then this bit is automatically cleared by hardware.
Bit 14: 8	Reserved	0x00	resd	Kept at its default value.
Bit 7	TTCEN	0x0	rw	Time triggered communication mode enable 0: Time triggered communication mode disabled 1: Time triggered communication mode enabled
				Automatic exit bus-off enable 0: Automatic exit bus-off disabled 1: Automatic exit bus-off enabled Note: When Automatic exit bus-off mode is enabled, the hardware will automatically leave bus-off mode as soon as an exit timing is detected on the CAN bus. When Automatic exit bus-off mode is disabled, the software must enter/leave the freeze mode once more, and then the bus-off state is left only when an exit timing is detected on the CAN bus.
Bit 6	AEBOEN	0x0	rw	Automatic exit bus-off enable 0: Automatic exit bus-off disabled 1: Automatic exit bus-off enabled Note: When Automatic exit bus-off mode is enabled, the hardware will automatically leave bus-off mode as soon as an exit timing is detected on the CAN bus. When Automatic exit bus-off mode is disabled, the software must enter/leave the freeze mode once more, and then the bus-off state is left only when an exit timing is detected on the CAN bus.
				Automatic exit doze mode enable 0: Automatic exit sleep mode disabled 1: Automatic exit sleep mode enabled Note: When Automatic exit sleep mode is disabled, the sleep
Bit 5	AEDEN	0x0	rw	Automatic exit doze mode enable 0: Automatic exit sleep mode disabled 1: Automatic exit sleep mode enabled Note: When Automatic exit sleep mode is disabled, the sleep

				mode is left by software clearing the sleep request command. When Automatic exit sleep mode is enabled, the sleep mode is left without the need of software intervention as soon as a message is monitored on the CAN bus.
Bit 4	PRSFEN	0x0	rw	Prohibit retransmission enable when sending fails enable 0: Retransmission is enabled. 1: Retransmission is disabled.
Bit 3	MDRSEL	0x0	rw	Message discard rule select when overflow 0: The previous message is discarded. 1: The new incoming message is discarded.
Bit 2	MMSSR	0x0	rw	Multiple message transmit sequence rule 0: The message with the smallest identifier is first transmitted. 1: The message with the first request order is first transmitted.
Bit 1	DZEN	0x1	rw	Doze mode enable 0: Sleep mode is disabled. 1: Sleep mode is enabled. Note: The hardware will automatically leave sleep mode when the AEDEN is set and a message is monitored on the CAN bus. After CAN reset or partial software reset, this bit is forced to be set by hardware, that is, the CAN will keep in sleep mode, by default.
Bit 0	FZEN	0x0	rw	Freeze mode enable 0: Freeze mode disabled 1: Freeze mode enabled Note: The CAN leaves Freeze mode once 11 consecutive recessive bits have been detected on the RX pin. For this reason, the software acknowledges the entry of Freeze mode after the FZC bit is cleared by hardware. The Freeze mode is entered only when the current CAN activity (transmission or reception) is completed. Thus the software acknowledges the exit of Freeze mode after the FZC bit is cleared by hardware.

21.7.1.2 CAN master status register (CAN_MSTS)

Bit	Register	Reset value	Type	Description
Bit 31: 12	Reserved	0x00000	resd	Kept at its default value.
Bit 11	REALRX	0x1	ro	Real time level on RX pin 0: Low 1: High
Bit 10	LSAMPRX	0x1	ro	Last sample level on RX pin) 0: Low 1: High. Note: This value keeps updating with the REALRX.
Bit 9	CURS	0x0	ro	Current receive status 0: No reception occurs 1: Reception is in progress Note: This bit is set by hardware when the CAN reception starts, and it is cleared by hardware at the end of reception.
Bit 8	CUSS	0x0	ro	Current transmit status 0: No transmit occurs

				<p>1: ransmitis in progress</p> <p>Note: This bit is set by hardware when the CAN transmission starts, and it is cleared by hardware at the end of transmission.</p>
Bit 7: 5	Reserved	0x0	resd	Kept at its default value.
Bit 4	EDZIF	0x0	rw1c	<p>Enter doze mode interrupt flag</p> <p>0: Sleep mode is not entered or no condition for flag set.</p> <p>1: Sleep mode is entered.</p> <p>Note:</p> <p>This bit is set by hardware only when EDZIEN=1 and the CAN enters Sleep mode. Whe set, this bit will generate a status change interrupt. This bit is cleared by software (writing 1 to itself) or by hardware when DZC is cleared.</p>
Bit 3	QDZIF	0x0	rw1c	<p>Exit doze mode interrupt flag</p> <p>0: Sleep mode is not left or no condition for exit.</p> <p>1: Sleep mode has been left or exit condition has generated.</p> <p>Note:</p> <p>This bit is cleared by software (writing 1 to itself)</p> <p>Sleep mode is left when a SOF is detected on the bus.</p> <p>When QDZIEN=1, this bit will generate a status change interrupt.</p>
Bit 2	EOIF	0x0	rw1c	<p>Error occur interrupt flag</p> <p>0: No error interrupt or no condition for error interrupt flag</p> <p>1: Error interrupt is generated.</p> <p>Note:</p> <p>This bit is cleared by software (writing 1 to itself).</p> <p>This bit is set by hardware only when the corresponding bit is set in the CAN_ESTS register and the corresponding interrupt enable bit in the CAN_INTEN register is enabled. When EOIEN=1, this bit generates a status change interrupt.</p>
Bit 1	DZC	0x1	ro	<p>Doze mode acknowledge</p> <p>0: The CAN is not in Sleep mode.</p> <p>1: CAN is in Sleep mode.</p> <p>Note:</p> <p>This bit is used to decide whether the CAN is in Sleep mode or not. This bit acknowledges the Sleep mode request generated by software.</p> <p>The Sleep mode can be entered only when the current CAN activity (transmission or reception) is completed. For this reason, the software acknowledges the entry of Sleep mode after this bit is set by hardware.</p> <p>The Sleep mode is left only once 11 consecutive recessive bits have been detect on the CAN RX pin. For this reason, the software acknowledges the exit of Sleep mode after this bit is cleared by hardware.</p>
Bit 0	FZC	0x0	ro	<p>Freeze mode confirm</p> <p>0: The CAN is not in Freeze mode.</p> <p>1: The CAN is in Freeze mode.</p> <p>Note:</p> <p>This bit is used to decide whether the CAN is in Freeze mode or not. This bit acknowledges the Freeze mode request generated by software.</p> <p>The Freeze mode can be entered only when the current CAN activity (transmission or reception) is completed. For this reason, the software acknowledges the entry of</p>

Freeze mode after this bit is set by hardware.

The Freeze mode is left only once 11 consecutive recessive bits have been detect on the CAN RX pin. For this reason, the software acknowledges the exit of Freeze mode after this bit is cleared by hardware.

21.7.1.3 CAN transmit status register (CAN_TSTS)

Bit	Register	Reset value	Type	Description
Bit 31	TM2LPF	0x0	ro	<p>Transmit mailbox2 lowest priority flag</p> <p>0: Mailbox 2 is not given the lowest priority.</p> <p>1: Lowest priority (This indicates that more than one mailboxes are pending for transmission, the mailbox2 has the lowest priority.)</p>
Bit 30	TM1LPF	0x0	ro	<p>Transmit mailbox1 lowest priority flag</p> <p>0: Mailbox 1 is not given the lowest priority.</p> <p>1: Lowest priority (This indicates that more than one mailboxes are pending for transmission, the mailbox1 has the lowest priority.)</p>
Bit 29	TM0LPF	0x0	ro	<p>Transmit mailbox0 lowest priority flag</p> <p>0: Mailbox 0 is not given the lowest priority.</p> <p>1: Lowest priority (This indicates that more than one mailboxes are pending for transmission, the mailbox0 has the lowest priority.)</p>
Bit 28	TM2EF	0x1	ro	<p>Transmit mailbox2 empty flag</p> <p>This bit is set by hardware when no transmission is pending in the mailbox2.</p>
Bit 27	TM1EF	0x1	ro	<p>Transmit mailbox1 empty flag</p> <p>This bit is set by hardware when no transmission is pending in the mailbox1.</p>
Bit 26	TM0EF	0x1	ro	<p>Transmit mailbox0 empty flag</p> <p>This bit is set by hardware when no transmission is pending in the mailbox0.</p>
Bit 25: 24	TMNR	0x0	ro	<p>Transmit Mailboxnumber record</p> <p>Note:</p> <p>If the transmit mailbox is free, these two bits refer to the number of the next transmit mailbox free.</p> <p>For example, in case of free CAN, the value of these two bit becomes 01 after a message transmit request is written.</p> <p>If the transmit box is full, these two bits refer to the number of the transmit mailbox with the lowest priority.</p> <p>For example, when there are three messages are pending for transmission, the identifiers of mailbox0, mailbox1 and mailbox2 are 0x400, 0x433 and 0x411 respectively, and the value of these two bits becomes 01.</p>
Bit 23	TM2CT	0x0	ro	<p>Transmit mailbox2 cancel transmit</p> <p>0: No effect</p> <p>1: Transmission is cancelled.</p> <p>Note: Software sets this bit to abort the transmission of mailbox 2. This bit is cleared by hardware when the transmit message in the mailbox2 is cleared. Setting this bit has no effect if the mailbox2 is free.</p>
Bit 22: 20	Reserved	0x0	resd	Kept at its default value.
Bit 19	TM2TEF	0x0	rw1c	<p>Transmit mailbox2 transmission error flag</p> <p>0: No error</p> <p>1: Mailbox 2 transmission error</p> <p>Note:</p> <p>This bit is set when the mailbox 2 transmission error</p>

				occurred. It is cleared by software writing 1 or by hardware at the start of the next transmission
Bit 18	TM2ALF	0x0	rw1c	Transmit mailbox2 arbitration lost flag 0: No arbitration lost 1: Transmit mailbox2 arbitration lost Note: This bit is set when the mailbox2 transmission failed due to an arbitration lost. It is cleared by software writing 1 or by hardware at the start of the next transmission
Bit 17	TM2TSF	0x0	rw1c	Transmit mailbox2 transmission success flag 0: Transmission failed 1: Transmission was successful. Note: This bit indicates whether the mailbox2 transmission is successful or not. It is cleared by software writing 1.
Bit 16	TM2TCF	0x0	rw1c	Transmit mailbox2 transmission completed flag 0: Transmission is in progress 1: Transmission is completed Note: This bit is set by hardware when the transmission/abort request on mailbox2 has been completed. It is cleared by software writing 1 or by hardware when a new transmission request is received. Clearing this bit will clear the TM2TSF, TM2ALF and TM2TEF bits of mailbox2.
Bit 15	TM1CT	0x0	rw1s	Transmit mailbox1 cancel transmit 0: No effect 1: Mailbox 1 cancel transmit Note: This bit is set by software to abort the transmission request on mailbox 1. Clearing the message transmission on mailbox1 will clear this bit. Setting by this software has no effect when the mailbox1 is free.
Bit 14: 12	Reserved	0x0	resd	Kept at its default value.
Bit 11	TM1TEF	0x0	rw1c	Transmit mailbox1 transmission error flag 0: No error 1: Mailbox 1 transmission error Note: This bit is set when the mailbox 1 transmission error occurred. It is cleared by software writing 1 or by hardware at the start of the next transmission
Bit 10	TM1ALF	0x0	rw1c	Transmit mailbox1 arbitration lost flag 0: No arbitration lost 1: Transmit mailbox1 arbitration lost Note: This bit is set when the mailbox1 transmission failed due to an arbitration lost. It is cleared by software writing 1 or by hardware at the start of the next transmission
Bit 9	TM1TSF	0x0	rw1c	Transmit mailbox1 transmission success flag 0: Transmission failed 1: Transmission was successful. Note: This bit indicates whether the mailbox 1 transmission is

				successful or not. It is cleared by software writing 1.
				Transmit mailbox1 transmission completed flag 0: Transmission is in progress 1: Transmission is completed Note: This bit is set by hardware when the transmission/abort request on mailbox 1 has been completed. It is cleared by software writing 1 or by hardware when a new transmission request is received. Clearing this bit will clear the TM1TSF, TM1ALF and TMF1TEF bits of mailbox 1.
Bit 8	TM1TCF	0x0	rw1c	
				Transmit mailbox0 cancel transmit 0: No effect 1: Mailbox 0 cancel transmit Note: This bit is set by software to abort the transmission request on mailbox 0. Clearing the message transmission on mailbox0 will clear this bit. Setting by this software has no effect when the mailbox0 is free.
Bit 7	TM0CT	0x0	rw1s	
Bit 6: 4	Reserved	0x0	resd	Kept at its default value.
				Transmit mailbox0 transmission error flag 0: No error 1: Mailbox 0 transmission error Note: This bit is set when the mailbox 0 transmission error occurred. It is cleared by software writing 0 or by hardware at the start of the next transmission
Bit 3	TM0TEF	0x0	rw1c	
				Transmit mailbox0 arbitration lost flag 0: No arbitration lost 1: Transmit mailbox0 arbitration lost Note: This bit is set when the mailbox0 transmission failed due to an arbitration lost. It is cleared by software writing 1 or by hardware at the start of the next transmission
Bit 2	TM0ALF	0x0	rw1c	
				Transmit mailbox0 transmission success flag 0: Transmission failed 1: Transmission was successful. Note: This bit indicates whether the mailbox0 transmission is successful or not. It is cleared by software writing 1.
Bit 1	TM0TSF	0x0	rw1c	
				Transmit mailbox0 transmission completed flag 0: Transmission is in progress 1: Transmission is completed Note: This bit is set by hardware when the transmission/abort request on mailbox0 has been completed. It is cleared by software writing 1 or by hardware when a new transmission request is received. Clearing this bit will clear the TM0TSF, TM0ALF and TM0TEF bits of mailbox0.
Bit 0	TM0TCF	0x0	rw1c	

21.7.1.4 CAN receive FIFO 0 register (CAN_RF0)

Bit	Register	Reset value	Type	Description
Bit 31: 6	Reserved	0x0000000	resd	Kept at its default value.
Bit 5	RF0R	0x0	rw1s	Receive FIFO 0 release

				<p>0: No effect 1: Release FIFO</p> <p>Note: This bit is set by software to release FIFO 0. It is cleared by hardware when the FIFO 0 is released. Setting this bit by software has no effect when the FIFO 0 is empty. If there are more than two messages pending in the FIFO 0, the software has to release the FIFO 0 to access the second message.</p>
Bit 4	RF0OF	0x0	rw1c	<p>Receive FIFO 0 overflow flag</p> <p>0: No overflow 1: Receive FIFO 0 overflow</p> <p>Note: This bit is set by hardware when a new message has been received and passed the filter while the FIFO 0 is full. It is cleared by software by writing 1.</p>
Bit 3	RF0FF	0x0	rw1c	<p>Receive FIFO 0 full flag</p> <p>0: Receive FIFO 0 is not full 1: Receive FIFO 0 is full</p> <p>Note: This bit is set by hardware when three messages are pending in the FIFO 0. It is cleared by software by writing 1.</p>
Bit 2	Reserved	0x0	resd	Kept at its default value.
Bit 1: 0	RF0MN	0x0	ro	<p>Receive FIFO 0 message num</p> <p>Note: These two bits indicate how many messages are pending in the FIFO 0. RF0ML bit is incremented by one each time a new message has been received and passed the filter while the FIFO 0 is not full. RF0ML bit is decremented by one each time the software releases the receive FIFO 0 by writing 1 to the RF0R bit.</p>

21.7.1.5 CAN receive FIFO 1 register (CAN_RF1)

Bit	Register	Reset value	Type	Description
Bit 31: 6	Reserved	0x0000000	resd	Kept at its default value.
Bit 5	RF1R	0x0	rw1s	<p>Receive FIFO 1 release</p> <p>0: No effect 1: Release FIFO</p> <p>Note: This bit is set by software to release FIFO 1. It is cleared by hardware when the FIFO 1 is released. Setting this bit by software has no effect when the FIFO 1 is empty. If there are more than two messages pending in the FIFO 0, the software has to release the FIFO 1 to access the second message.</p>
Bit 4	RF1OF	0x0	rw1c	<p>Receive FIFO 1 overflow flag</p> <p>0: No overflow 1: Receive FIFO 1 overflow</p> <p>Note: This bit is set by hardware when a new message has been received and passed the filter while the FIFO 1 is full. It is cleared by software by writing 1.</p>

Bit 3	RF1FF	0x0	rw1c	<p>Receive FIFO 1 full flag</p> <p>0: Receive FIFO 1 is not full</p> <p>1: Receive FIFO 1 is full</p> <p>Note:</p> <p>This bit is set by hardware when three messages are pending in the FIFO 1.</p> <p>It is cleared by software by writing 1.</p>
Bit 2	Reserved	0x0	resd	Kept at its default value.
Bit 1: 0	RF1MN	0x0	ro	<p>Receive FIFO 1 message num</p> <p>Note:</p> <p>These two bits indicate how many messages are pending in the FIFO 1.</p> <p>RF1ML bit is incremented by one each time a new message has been received and passed the filter while the FIFO 1 is not full.</p> <p>RF1ML bit is decremented by one each time the software releases the receive FIFO 1 by writing 1 to the RF1R bit.</p>

21.7.1.6 CAN interrupt enable register (CAN_INTEN)

Bit	Register	Reset value	Type	Description
Bit 31: 18	Reserved	0x0000	resd	Kept at its default value.
Bit 17	EDZIEN	0x0	rw	<p>Enter doze mode interrupt enable</p> <p>0: Enter sleep mode interrupt disabled</p> <p>1: Enter sleep mode interrupt enabled</p> <p>Note: EDZIF flag bit corresponds to this interrupt. An interrupt is generated when both this bit and EDZIF bit are set.</p>
Bit 16	QDZIEN	0x0	rw	<p>Quit doze mode interrupt enable</p> <p>0: Quit sleep mode interrupt disabled</p> <p>1: Quit sleep mode interrupt enabled</p> <p>Note: The flag bit of this interrupt is the QDZIF bit. An interrupt is generated when both this bit and QDZIF bit are set.</p>
Bit 15	EOIEN	0x0	rw	<p>Error occur interrupt enable</p> <p>0: Error interrupt disabled</p> <p>1: Error interrupt enabled</p> <p>Note: The flag bit of this interrupt is the EOIF bit. An interrupt is generated when both this bit and EOIF bit are set.</p>
Bit 14: 12	Reserved	0x0	resd	Kept at its default value.
Bit 11	ETRIEN	0x0	rw	<p>Error type record interrupt enable</p> <p>0: Error type record interrupt disabled</p> <p>1: Error type record interrupt enabled</p> <p>Note: EOIF is set only when this interrupt is enabled and the ETR[2: 0] is set by hardware.</p>
Bit 10	BOIEN	0x0	rw	<p>Bus-off interrupt enable</p> <p>0: Bus-off interrupt disabled</p> <p>1: Bus-off interrupt enabled</p> <p>Note: EOIF is set only when this interrupt is enabled and the BOF is set by hardware.</p>
Bit 9	EPIEN	0x0	rw	<p>Error passive interrupt enable</p> <p>0: Error passive interrupt disabled</p> <p>1: Error passive interrupt enabled</p> <p>Note: EOIF is set only when this interrupt is enabled and the EPF is set by hardware.</p>
Bit 8	EAIEN	0x0	rw	Error active interrupt enable

				0: Error warning interrupt disabled 1: Error warning interrupt enabled Note: EOIF is set only when this interrupt is enabled and the EAF is set by hardware.
Bit 7	Reserved	0x0	resd	Kept at its default value.
Bit 6	RF1OIE	0x0	rw	Receive FIFO 1 overflow interrupt enable 0: Receive FIFO 1 overflow interrupt disabled 1: Receive FIFO 1 overflow interrupt enabled Note: The flag bit of this interrupt is the RF1OF bit. An interrupt is generated when this bit and RF1OF bit are set.
Bit 5	RF1FIEN	0x0	rw	Receive FIFO 1 full interrupt enable 0: Receive FIFO 1 full interrupt disabled 1: Receive FIFO 1 full interrupt enabled Note: The flag bit of this interrupt is the RF1FF bit. An interrupt is generated when this bit and RF1FF bit are set.
Bit 4	RF1MIEN	0x0	rw	FIFO 1 receive message interrupt enable 0: FIFO 1 receive message interrupt disabled 1: FIFO 1 receive message interrupt enabled Note: The flag bit of this interrupt is RF1MN bit, so an interrupt is generated when this bit and RF1MN bit are set.
Bit 3	RF0OIE	0x0	rw	Receive FIFO 0 overflow interrupt enable 0: Receive FIFO 0 overflow interrupt disabled 1: Receive FIFO 0 overflow interrupt enabled Note: The flag bit of this interrupt is RF0OF bit, so an interrupt is generated when this bit and RF0OF bit are set.
Bit 2	RF0FIEN	0x0	rw	Receive FIFO 0 full interrupt enable 0: Receive FIFO 0 full interrupt disabled 1: Receive FIFO 0 full interrupt enabled Note: The flag bit of this interrupt is the RF0FF bit. An interrupt is generated when this bit and RF0FF bit are set.
Bit 1	RF0MIEN	0x0	rw	FIFO 0 receive message interrupt enable 0: FIFO 0 receive message interrupt disabled 1: FIFO 0 receive message interrupt enabled Note: The flag bit of this interrupt is the RF0MN bit. An interrupt is generated when this bit and RF0MN bit are set.
Bit 0	TCIEN	0x0	rw	Transmit mailbox empty interrupt enable 0: Transmit mailbox empty interrupt disabled 1: Transmit mailbox empty interrupt enabled Note: The flag bit of this interrupt is the TMxTCF bit. An interrupt is generated when this bit and TMxTCF bit are set.

21.7.1.7 CAN error status register (CAN_ESTS)

Bit	Register	Reset value	Type	Description
Bit 31: 24	REC	0x00	ro	Receive error counter This counter is implemented in accordance with the receive part of the fault confinement mechanism of the CAN protocol.
Bit 23: 16	TEC	0x00	ro	Transmit error counter This counter is implemented in accordance with the transmit part of the fault confinement mechanism of the CAN protocol.
Bit 15: 7	Reserved	0x00	resd	Kept at its default value.
Bit 6: 4	ETR	0x0	rw	Error type record 000: No error 001: Bit stuffing error

				<p>010: Format error</p> <p>011: Acknowledgement error</p> <p>100: Recessive bit error</p> <p>101: Dominant bit error</p> <p>110: CRC error</p> <p>111: Set by software</p> <p>Note:</p> <p>This field is used to indicate the current error type. It is set by hardware according to the error condition detected on the CAN bus. It is cleared by hardware when a message has been transmitted or received successfully.</p> <p>If the error code 7 is not used by hardware, this field can be set by software to monitor the code update.</p>
Bit 3	Reserved	0x0	resd	Kept at its default value.
Bit 2	BOF	0x0	ro	<p>Bus-off flag</p> <p>0: Bus-off state is not entered.</p> <p>1: Bus-off state is entered.</p> <p>Note: When the TEC is greater than 255, the bus-off state is entered, and this bit is set by hardware.</p>
Bit 1	EPF	0x0	ro	<p>Error passive flag</p> <p>0: Error passive state is not entered</p> <p>1: Error passive state is entered</p> <p>Note: This bit is set by hardware when the current error times has reached the Error passive state limit (Receive Error Counter or Transmit Error Counter > 127)</p>
Bit 0	EAF	0x0	ro	<p>Error active flag</p> <p>0: Error active state is not entered</p> <p>1: Error active state is entered</p> <p>Note: This bit is set by hardware when the current error times has reached the Error active state limit (Receive Error Counter or Transmit Error Counter ≥ 96)</p>

21.7.1.8 CAN bit timing register (CAN_BTMG)

Bit	Register	Reset value	Type	Description
Bit 31	LOEN	0x0	rw	<p>Listen-Only mode</p> <p>0: Listen-Only mode disabled</p> <p>1: Listen-Only mode enabled</p>
Bit 30	LBEN	0x0	rw	<p>Loop back mode</p> <p>0: Loop back mode disabled</p> <p>1: Loop back mode enabled</p>
Bit 29: 26	Reserved	0x0	resd	Kept at its default value.
Bit 25: 24	RSAW	0x1	rw	<p>Resynchronization width</p> <p>$t_{RSAW} = t_{CAN} \times (RSAW[1: 0] + 1)$</p> <p>Note: This field defines the maximum of time unit that the CAN hardware is allowed to lengthen or shorten in a bit.</p>
Bit 23	Reserved	0x0	resd	Kept at its default value.
Bit 22: 20	BTS2	0x2	rw	<p>Bit time segment 2</p> <p>$t_{BTS2} = t_{CAN} \times (BTS2[2: 0] + 1)$</p> <p>Note: This field defines the number of time unit in Bit time segment 2.</p>
Bit 19: 16	BTS1	0x3	rw	<p>Bit time segment 1</p> <p>$t_{BTS1} = t_{CAN} \times (BTS1[3: 0] + 1)$</p> <p>Note: This field defines the number of time unit in Bit time segment 1.</p>
Bit 15: 12	Reserved	0x0	resd	Kept at its default value.

Bit 11: 0	BRDIV	0x000	rw	Baud rate division $tq = (BRDIV[11: 0]+1) \times tPCLK$ Note: This field defines the length of a time unit (tq).
-----------	-------	-------	----	--

21.7.2 CAN mailbox registers

This section describes the registers of the transmit and receive mailboxes. Refer to [Section 21.6.5](#) for more information on register map.

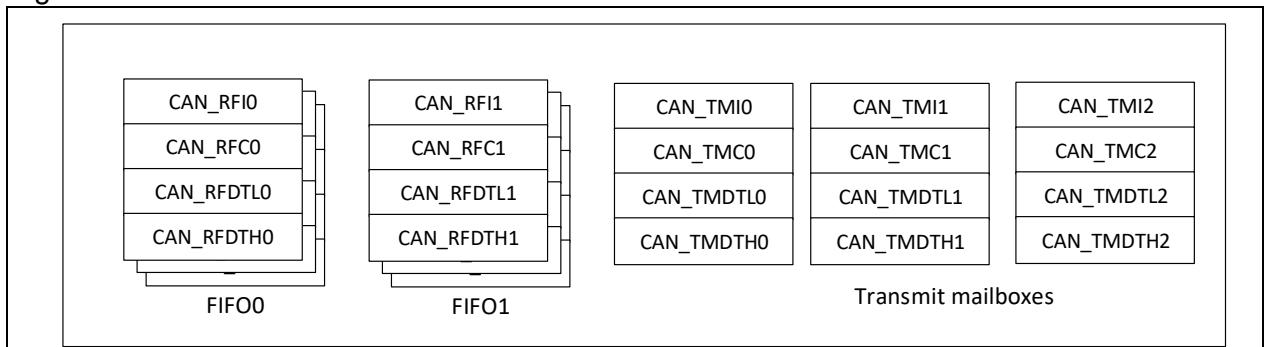
Transmit and receive mailboxes are the same except:

- RFFMN field in the CAN_RFCx register
- A receive mailbox is read only
- A transmit mailbox can be written only when empty. TMxEF=1 in the CAN_TSTS register indicates that the mailbox is empty.

There are three transmit mailboxes and two receive mailboxes. Each receive mailbox has 3-level depth of FIFO, and can only access to the first received message in the FIFO.

Each mailbox contains four registers.

Figure 21-14 Transmit and receive mailboxes



21.7.2.1 Transmit mailbox identifier register (CAN_TMIx) (x=0..2)

- Note:* 1. This register is write protected when its mailboxes are pending for transmission.
 2. This register implements the Transmit Request control (bit 0) — reset value 0.

Bit	Register	Reset value	Type	Description
Bit 31: 21	TMSID/ TMEID	0xXXX	rw	Transmit mailbox standard identifier or extended identifier high bytes Note: This field defines the 11-bit high bytes of the standard identifier or extended identifier.
Bit 20: 3	TMEID	0xXXXXX	rw	Transmit mailbox extended identifier Note: This field defines the 18-bit low bytes of the extended identifier.
Bit 2	TMIDSEL	0xX	rw	Transmit mailbox identifier type select 0: Standard identifier 1: Extended identifier
Bit 1	TMFRSEL	0xX	rw	Transmit mailbox frame type select 0: Data frame 1: Remote frame
Bit 0	TMSR	0x0	rw	Transmit mailbox send request 0: No effect 1: Transmit request Note: This bit is cleared by hardware when the transmission has been completed (The mailbox becomes empty)

21.7.2.2 Transmit mailbox data length and time stamp register (CAN_TMCx) (x=0..2)

All the bits in the register are write protected when the mailbox is not in empty state.

Bit	Register	Reset value	Type	Description
Bit 31: 16	TMTS	0XXXXX	rw	Transmit mailbox time stamp Note: This field contains the value of the CAN timer sampled at the SOF transmission.
Bit 15: 9	Reserved	0xXX	resd	Kept at its default value
Bit 8	TMTSTEN	0xX	rw	Transmit mailbox time stamp transmit enable 0: Time stamp is not sent 1: Time stamp is sent Note: This bit is valid only when the time-triggered communication mode is enabled. In the time stamp MTS[15: 0], the MTS[7: 0] is stored in the TMDT7, and MTS[15: 8] in the TMDT6. The data length must be programmed as 8 to send time stamp.
Bit 7: 4	Reserved	0xX	resd	Kept at its default value
Bit 3: 0	TMDTBL	0xX	rw	Transmit mailbox data byte length Note: This field defines the data length of a transmit message. A transmit message can contain from 0 to 8 data bytes.

21.7.2.3 Transmit mailbox data low register (CAN_TMDTLx) (x=0..2)

All the bits in the register are write protected when the mailbox is not in empty state.

Bit	Register	Reset value	Type	Description
Bit 31: 24	TMDT3	0XXX	rw	Transmit mailbox data byte 3
Bit 23: 16	TMDT2	0XXX	rw	Transmit mailbox data byte 2
Bit 15: 8	TMDT1	0XXX	rw	Transmit mailbox data byte 1
Bit 7: 0	TMDT0	0XXX	rw	Transmit mailbox data byte 0

21.7.2.4 Transmit mailbox data high register (CAN_TMDTHx) (x=0..2)

All the bits in the register are write protected when the mailbox is not in empty state.

Bit	Register	Reset value	Type	Description
Bit 31: 24	TMDT7	0XXX	rw	Transmit mailbox data byte 7
Bit 23: 16	TMDT6	0XXX	rw	Transmit mailbox data byte 6 Note: This field will be replaced with MTS[15: 8] when the time-triggered communication mode is enabled and the corresponding time stamp transmit is enabled.
Bit 15: 8	TMDT5	0XXX	rw	Transmit mailbox data byte 5
Bit 7: 0	TMDT4	0XXX	rw	Transmit mailbox data byte 4

21.7.2.5 Receive FIFO mailbox identifier register (CAN_RF1x) (x=0..1)

Note: All the receive mailbox registers are read only.

Bit	Register	Reset value	Type	Description
Bit 31: 21	RFSID/RFEID	0XXXX	ro	Receive FIFO standard identifier or receive FIFO extended identifier Note: This field defines the 11-bit high bytes of the standard identifier or extended identifier.
Bit 20: 3	RFEID	0XXXXXX	ro	Receive FIFO extended identifier Note: This field defines the 18-bit low bytes of the extended

				identifier.
Bit 2	RFIDI	0xX	ro	Receive FIFO identifier type indication 0: Standard identifier 1: Extended identifier
Bit 1	RFFRI	0xX	Ro	Receive FIFO frame type indication 0: Data frame 1: Remote frame
Bit 0	Reserved	0x0	resd	Kept at its default value

21.7.2.6 Receive FIFO mailbox data length and time stamp register (CAN_RFCx) (x=0..1)

Note: All the receive mailbox registers are read only.

Bit	Register	Reset value	Type	Description
Bit 31: 16	RFTS	0xFFFF	ro	Receive FIFO time stamp Note: This field contains the value of the CAN timer sampled at the start of a receive frame.
Bit 15: 8	RFFMN	0xFF	ro	Receive FIFO filter match number Note: This field contains the filter number that a message has passed through.
Bit 7: 4	Reserved	0xFF	resd	Kept at its default value
Bit 3: 0	RFDTL	0xFF	ro	Receive FIFO data length Note: This field defines the data length of a receive message. A transmit message can contain from 0 to 8 data bytes. For a remote frame, its data length RFDTL is fixed 0.

21.7.2.7 Receive FIFO mailbox data low register (CAN_RFDTLx) (x=0..1)

Note: All the receive mailbox registers are read only.

Bit	Register	Reset value	Type	Description
Bit 31: 24	RFDT3	0xFF	ro	Receive FIFO data byte 3
Bit 23: 16	RFDT2	0xFF	ro	Receive FIFO data byte 2
Bit 15: 8	RFDT1	0xFF	ro	Receive FIFO data byte 1
Bit 7: 0	RFDT0	0xFF	ro	Receive FIFO data byte 0

21.7.2.8 Receive FIFO mailbox data high register (CAN_RFDTHx) (x=0..1)

Note: All the receive mailbox registers are read only.

Bit	Register	Reset value	Type	Description
Bit 31: 24	RFDT7	0xFF	ro	Receive FIFO data byte 7
Bit 23: 16	RFDT6	0xFF	ro	Receive FIFO data byte 6
Bit 15: 8	RFDT5	0xFF	ro	Receive FIFO data byte 5
Bit 7: 0	RFDT4	0xFF	ro	Receive FIFO data byte 4

21.7.3 CAN filter registers

21.7.3.1 CAN filter control register (CAN_FCTRL)

Note: All the non-reserved bits of this register are controlled by software completely.

Bit	Register	Reset value	Type	Description
Bit 31: 1	Reserved	0x160E0700	resd	Kept at its default value Filter configuration switch 0: Disabled (Filter bank is active) 1: Enabled (Filter bank is in configuration mode)
Bit 0	FCS	0x1	rw	Note: The initialization of the filter bank can be configured only when it is in configuration mode.

21.7.3.2 CAN filter mode configuration register (CAN_FMCFG)

Note: This register can be written only when FCS=1 in the CAN_FCTRL register (The filter is in configuration mode)

Bit	Register	Reset value	Type	Description
Bit 31: 14	Reserved	0x00000	resd	Kept at its default value Filter mode select
Bit 13: 0	FMSELx	0x0000	rw	Each bit corresponds to a filter bank. 0: Identifier mask mode 1: Identifier list mode

21.7.3.3 CAN filter bit width configuration register (CAN_FBWCFG)

Note: This register can be written only when FCS=1 in the CAN_FCTRL register (The filter is in configuration mode)

Bit	Register	Reset value	Type	Description
Bit 31: 14	Reserved	0x00000	resd	Kept at its default value Filter bit width select
Bit 13: 0	FBWSELx	0x0000	rw	Each bit corresponds to a filter bank. 0: Dual 16-bit 1: Single 32-bit

21.7.3.4 CAN filter FIFO association register (CAN_FRF)

Note: This register can be written only when FCS=1 in the CAN_FCTRL register (The filter is in configuration mode)

Bit	Register	Reset value	Type	Description
Bit 31: 14	Reserved	0x00000	resd	Kept at its default value Filter relation FIFO select
Bit 13: 0	FRFSELx	0x0000	rw	Each bit corresponds to a filter bank. 0: Associated with FIFO0 1: Associated with FIFO1

21.7.3.5 CAN filter activation control register (CAN_FACFG)

Bit	Register	Reset value	Type	Description
Bit 31: 14	Reserved	0x00000	resd	Kept at its default value Filter active enable
Bit 13: 0	FAENx	0x0000	rw	Each bit corresponds to a filter bank. 0: Disabled 1: Enabled

21.7.3.6 CAN filter bank i filter bit register (CAN_ FiFBx) (i=0..13; x=1..2)

Note: There are 14 filter banks (i=0..13). Each filter bank consists of two 32-bit registers, CAN_FiFB[2:1]. This register can be modified only when the FAENx bit of the CAN_FACFG register is cleared or the FCS bit of the CAN_FCTRL register is set.

Bit	Register	Reset value	Type	Description
Bit 31:0	FFDB	0XXXXX XXXX	rw	Filters filter data bit Identifier list mode: The configuration value of the register matches with the level of the corresponding bit of the data received on the bus (If it is a standard frame, the value of the corresponding bit of the extended frame is neglected.) Identifier mark mode: Only the bit with its register configuration value 1 can match with the level of the corresponding bit of the data received on the bus. It don't care when the register value is 0.

22 External memory controller

22.1 XMC introduction

XMC peripheral block can translate the AHB signals into the external memory signals and vice versa. It boasts two chip-select signals for interfacing up to external memories at a time. The supported external memories include a NAND Flash and a static memory device featuring multiplexed signals or additional address latch function. Such static memory device includes a static random memory (SRAM), NOR Flash and PSRAM.

22.2 XMC main features

NOR/PSRAM has the following features:

- Two chip-select signals with their own control registers
- Support access to static memory devices with multiplexed signals or additional address latch function, including:
 - Statis random access memory (SRAM)
 - NOR Flash
 - PSRAM
- 8-bit or 16-bit wide memory
- Various timing mode selection
 - Two modes with the same timings for read and write
 - Four modes with different timings for read and write
 - Multiplexed address/data mode
 - Synchronous mode
- Programmable timing control registers
- Translate the AHB data size into the appropriate external memory data size

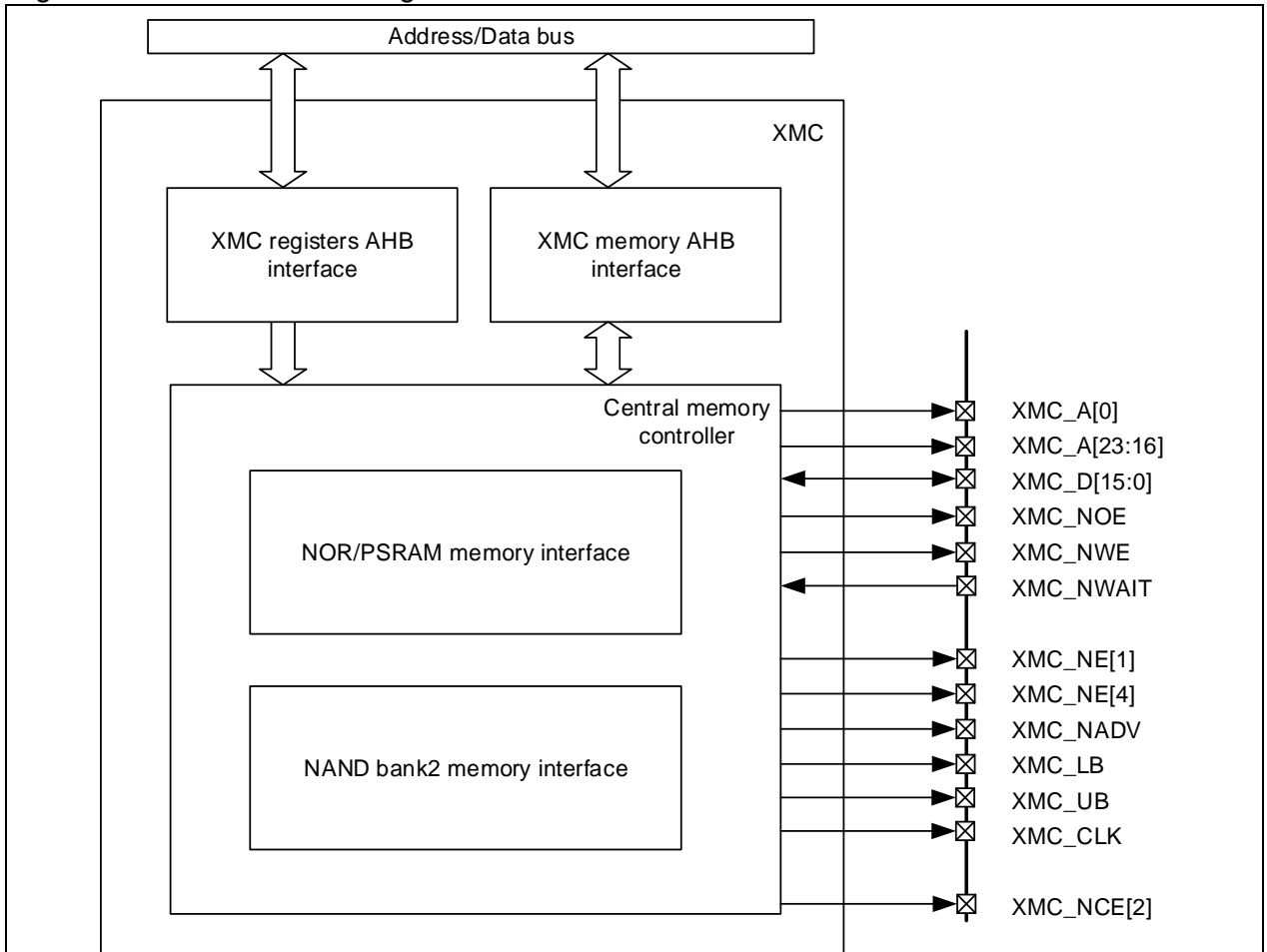
NAND has the following features:

- A chip-select signal
- 8-bit or 16-bit wide NAND Flash
- Two storage sapce with programmable timing control registers
- Translate the AHB data size into the appropriate external memory data size
- Support ECC calculation

22.3 XMC architecture

22.3.1 Block diagram

Figure 22-1 XMC block diagram



While interfacing to the external memory, NOR/PSRAM uses different pins from that of NAND, as shown in [Table 22-1](#) and [Table 22-2](#).

Table 22-1 NOR/PSRAM pins

Pin name	I/O	Description
XMC_CLK	Output	Clock
XMC_NE[x], x=1,4	Output	Chip select
XMC_NADV	Output	Address latch or address valid (NL) signal
XMC_A[x]	Output	Address bus
XMC_NOE	Output	Output enable signal
XMC_NWE	Output	Write enable signal
XMC_LB, XMC_UB	Output	Byte select signal
XMC_D[15: 0]	Read input/write output	Data bus/multiplexed address data
XMC_NWAIT	Input	Wait signal

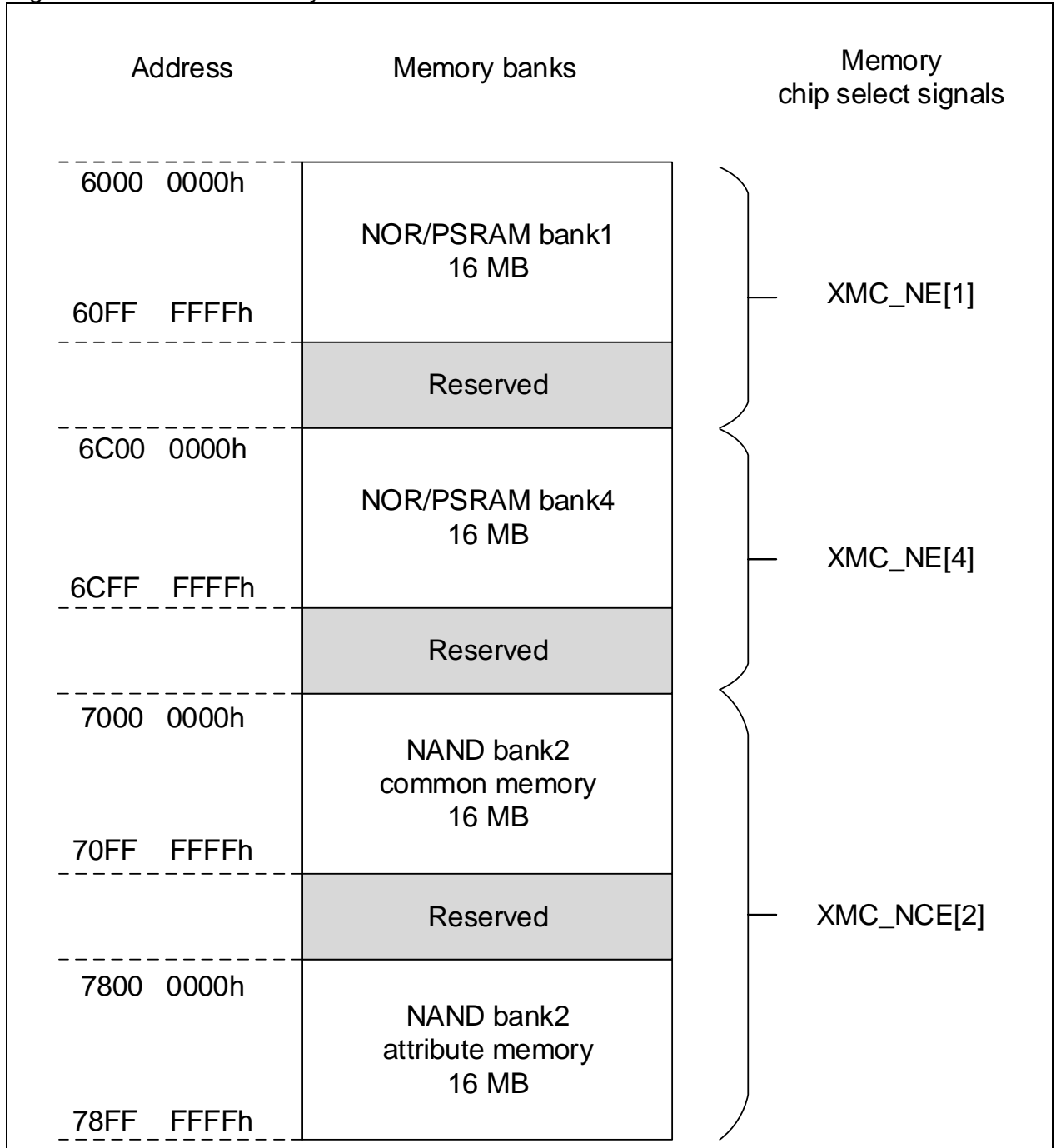
Table 22-2 NAND pins

Pin name	I/O	Description
XMC_NCE[2]	Output	Chip select
XMC_A[17]	Output	Address latch (ALE) signal
XMC_A[16]	Output	Command latch (CLE) signal
XMC_NOE	Output	Output enable (NRE) signal
XMC_NWE	Output	Write enable signal
XMC_D[15: 0]	Read input/write output	Data bus
XMC_NWAIT	Input	Ready/Busy

22.3.2 Address mapping

XMC address is divided into multiple memory banks, as shown below.

Figure 22-2 XMC memory banks



Some HADDR bits are used to select which bank to access, as shown in Table 22-3.

Table 22-3 Memory bank selection

HADDR[31: 28]		HADDR[27: 26]	
0110: NOR/PSRAM	00: bank1		
	11: bank4		
HADDR[31: 28]	HADDR[27]	HADDR[17: 16]	
0111: NAND bank2	0: Regular space	00: Data area	
		01: Command area	
	1: Special space	1x: Address area	
		00: Data area	
		01: Command area	
		1x: Address area	

22.4 NOR/PSRAM

NOR/PSRAM offers multiple access modes with different timings to drive multiple memories including NOR Flash, SRAM, PSRAM and Cellular RAM.

There are two banks, bank 1 and bank, with independent control registers. Such two banks can be accessed by means of different timings and different chip-select signals.

22.4.1 Operation mode

Pin function:

Pin signals vary from external memory to external memory. Table 22-4 lists typical pin signals.

Table 22-4 Pin signals for NOR and PSRAM

XMC pin name	NOR Flash	PSRAM
XMC_CLK	Clock (synchronous mode)	Clock (synchronous mode)
XMC_NE[x]	Chip-select	Chip-select
XMC_NADV	Address latch or address valid	Address latch or address valid
XMC_A[23:16], XMC_A[0]	Address bus	Address bus
XMC_NOE	Output enable	Output enable
XMC_NWE	Write enable	Write enable
XMC_LB, XMC_UB	Without using XMC_LB, XMC_UB	XMC_LB: lower byte XMC_UB: upper byte
XMC_D[15: 0]	Data bus	Data bus
XMC_D[15: 0]	multiplexed address data bus (multiplex and synchronous mode)	multiplexed address data bus (multiplex and synchronous mode)
XMC_NWAIT	NOR Flash wait request	PSRAM wait request

Note: If the memory data size is 8-bit, the typical data bus is XMC_D[7: 0].

Access address

The upper bytes of the HADDR bit is used to select a memory bank while the lower bytes to data memory address. HADDR is a byte address whereas the XMC supports the memory addressed in words or half words. Address translation between them is shown in Table 22-5. As long as read/write access to a specific address occurs, the XMC will enable chip-select signals and write/read operation to the external memories according to the HADDR bit.

Table 22-5 Address translation between HADDR and external memory

External memory data width	Address connection	Accessible maximum memory space (bits)
8-bit	HADDR[23: 16] is linked to XMC_A[23:16]. HADDR[0] is connected to XMC_A[0]. In multiplexed and synchronous mode, HADDR[15: 0] is connected to XMC_D[15: 0] during address latch period.	16 Mbyte x8 =128 Mbit
16-bit	HADDR[23: 17] is connected to XMC_A[22: 16]. HADDR[1] is connected to XMC_A[0]. In multiplexed and synchronous mode, HADDR[16: 1] is connected to XMC_D[15: 0] during address latch period	(16 Mbyte x 16)/2=128 Mbit

Data access

In case that the AHB data width is not equal to that of the memories, the XMC will make appropriate arrangement according to the typical signals of the external memories. Table 22-6 lists the operation modes supported by XMC.

Table 22-6 Data access width vs. external memory data width

Memory	Mode	AHB data width	Memory width	Description
SRAM	Asynchronous read/write	8/16/32	8	One-time access, or split into two or four accesses
	Asynchronous read/write	8/16/32	16	XMC_LB and XMC_UB, One-time, or split into two access
NOR Flash	Asynchronous read	8	16	
	Asynchronous read/write	16	16	
	Asynchronous	32	16	Split into two XMC accesses

	read/write			
	Synchronous read	16	16	
	Synchronous read	32	16	Split into two XMC accesses
PSRAM	Asynchronous read	8	16	
	Asynchronous write	8	16	Use XMC_LB and XMC_UB
	Asynchronous read/write	16	16	
	Asynchronous read/write	32	16	Split into two XMC accesses
	Synchronous write	8	16	Use XMC_LB and XMC_UB
	Synchronous read/write	16	16	
	Synchronous read/write	32	16	Split into two XMC accesses

22.4.2 Access mode

The XMC offers various access modes. Each access mode is operated based on the timing parameters, as shown in [Table 22-7](#). Users can perform programming operations according to the specifications of the external memory and application needs.

Access modes available in the XMC:

- Read/write operation with the same timings: Mode 1 and Mode 2
- Read/write operation with different timings: Mode A, B, C and D
- Multiplexed address data lines
- Clock-based synchronous mode

Table 22-7 NOR/PSRAM parameter registers

Parameter register	Function	Access mode	Unit
ADDRST	Address set-up time	1, 2, A, B, C, D and multiplexed	HCLK cycle
ADDRHT	Address-hold time	D and multiplexed	HCLK cycle
DTST	Data set-up time	1, 2, A, B, C, D and multiplexed	HCLK cycle
DTLAT	Data latency time	Synchronous	XMC_CLK cycle
CLKPSC	Clock prescaler	Synchronous	HCLK cycle

In addition to timing parameter registers for timing control, if the wait enable bit (NWASEN or NWSEN) is enabled, the XMC will start to check whether the XMC_NWAIT signal is in wait request state during data set time. If so, the XMC will wait until the XMC_NWAIT returns to the ready state before data transfer.

22.4.2.1 Read/write operation with the same timings

The timing of read and write operation in mode 1 and mode 2 is based on the XMC_BK1TMG register configuration.

Mode 1

As configured in [Table 22-8](#) and [Table 22-9](#), the XMC uses mode 1 to access the external memory. The timing of read operation is shown in [Figure 22-3](#). The timing of write operation is shown in [Figure 22-4](#).

Table 22-8 Mode 1—SRAM/NOR Flash chip select control register (XMC_BK1CTRL)

Bit	Description	Configuration
Bit 31: 20	Reserved	0x0
Bit 19	MWMC: Memory write mode control	0x0
Bit 18: 16	CRPGS: CRAM page size	0x0
Bit 15	NWASEN: NWAIT in asynchronous transfer enable	Configure according to memory specifications
Bit 14	RWTD: Read-write timing different	0x0
Bit 13	NWSEN: NWAIT in synchronous transfer enable	0x0
Bit 12	WEN: Write enable	Configure according to needs
Bit 11	NWTCFG: NWAIT timing configuration	0x0

Bit 10	WRAPEN: Wrapped enable	0x0
Bit 9	NWPOL: NWAIT polarity	Configure according to memory specifications
Bit 8	SYNCBEN: Synchronous burst enable	0x0
Bit 7	Reserved	0x1
Bit 6	NOREN: NOR flash access enable	0x0
Bit 5: 4	EXTMDBW: External memory data bus width	Configure according to memory specifications
Bit 3: 2	DEV: Memory device type	Configure according to memory specifications. It is valid except 0x2 (NOR Flash)
Bit 1	ADMUXEN: Address/data multiplexing enable	0x0
Bit 0	EN: Memory bank enable	0x1

Table 22-9 Mode 1—SRAM/NOR Flash chip select timing register (XMC_ BK1TMG)

Bit	Description	Configuration
Bit 31: 30	Reserved	0x0
Bit 29: 28	ASYNM: Asynchronous mode	0x0
Bit 27: 24	DTLAT: Data latency	0x0
Bit 23: 20	CLKPSC: Clock prescale	0x0
Bit 19: 16	BUSLAT: Bus latency	Indicates the time the XMC_NE[x] from the rising edge to the falling edge. Configure according to needs and memory specifications
Bit 15: 8	DTST: Data setup time	Refer to Figure 22-3 and Figure 22-4 . Configure according to needs and memory specifications.
Bit 7: 4	ADDRHT: Address-hold time	0x0
Bit 3: 0	ADDRST: Address setup time	Refer to Figure 22-3 and Figure 22-4 . Configure according to needs and memory specifications.

Figure 22-3 NOR/PSARM mode 1 read access

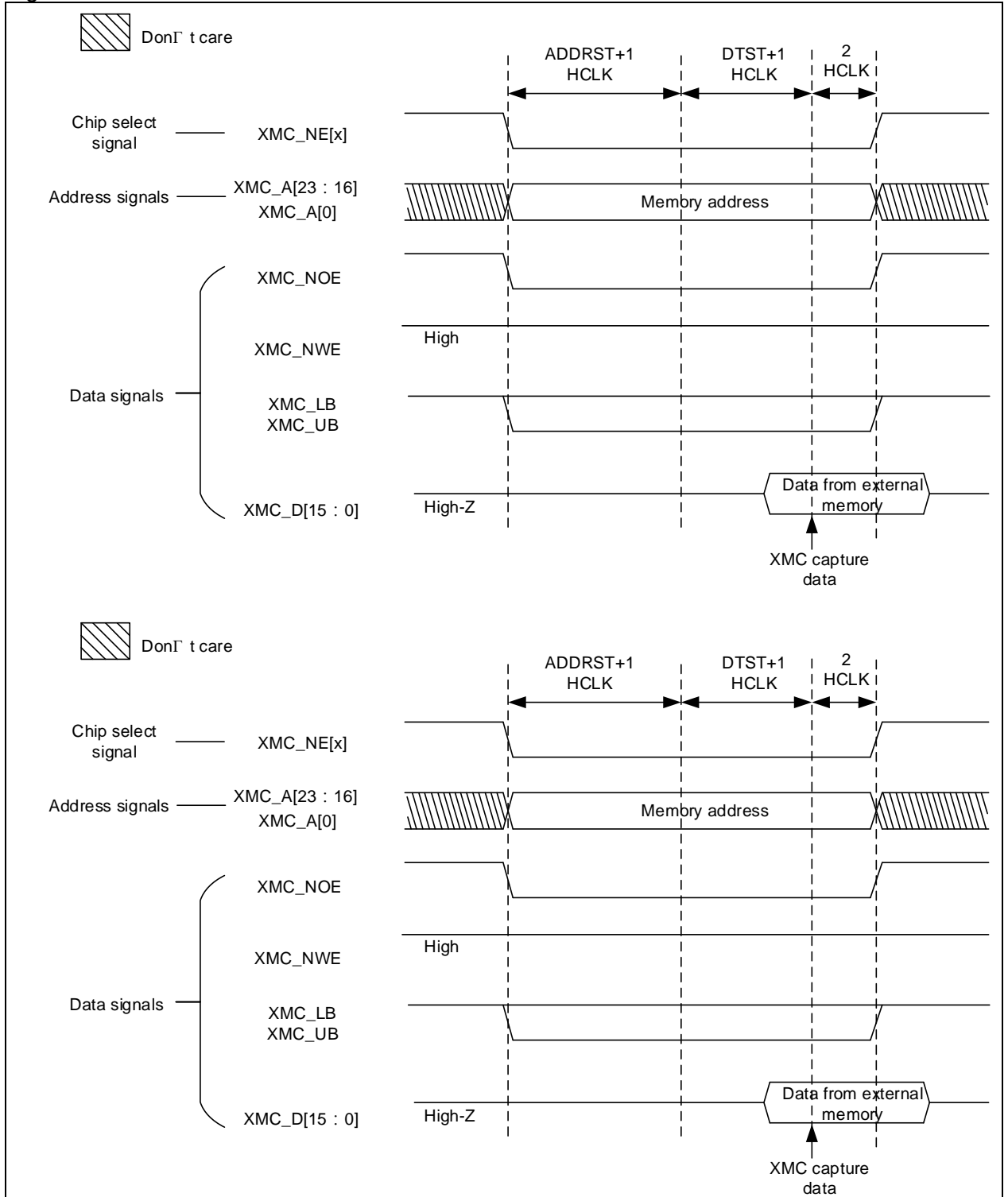
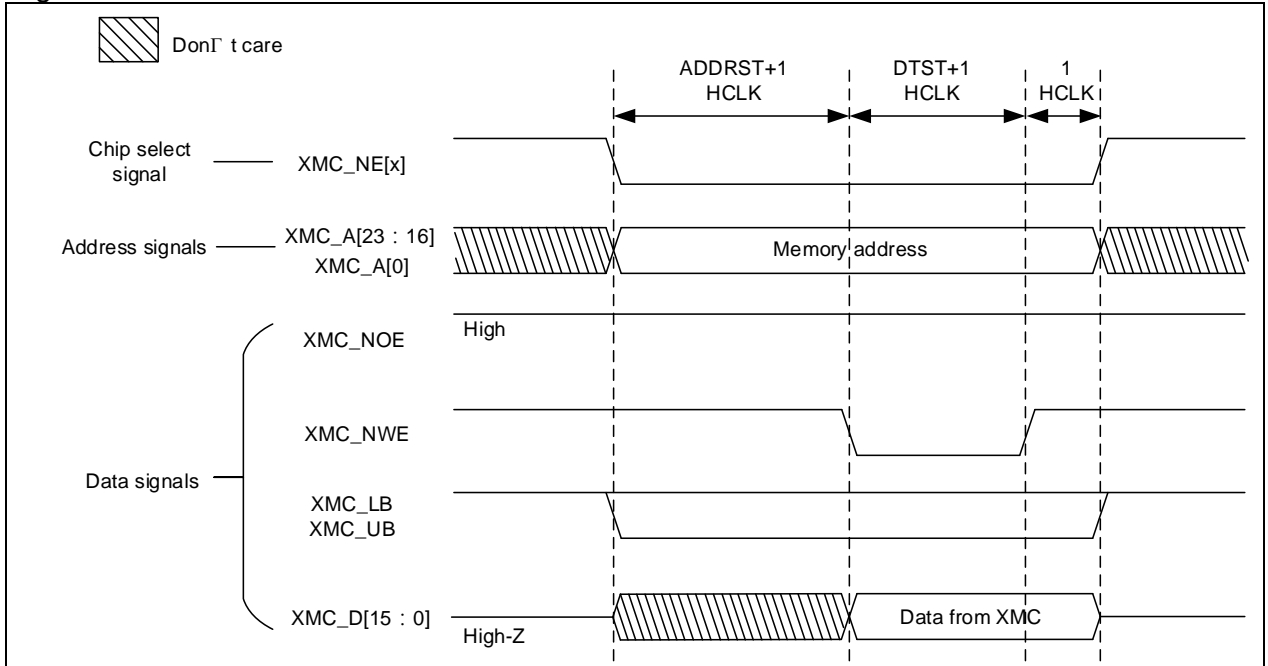


Figure 22-4 NOR/PSARM mode 1 write access



Mode 2

As configured in [Table 22-10](#) and [Table 22-11](#), the XMC uses mode 2 to access the external memory. The timing of read operation is shown in [Figure 22-5](#). The timing of write operation is shown in [Figure 22-6](#).

Table 22-10 Mode 2 — SRAM/NOR Flash chip select control register (XMC_BK1CTRL)

Bit	Description	Configuration
Bit 31:20	Reserved	0x0
Bit 19	MWMC: Memory write mode control	0x0
Bit 18:16	CRPGS: CRAM page size	0x0
Bit 15	NWASEN: NWAIT in asynchronous transfer enable	Configure according to memory specifications.
Bit 14	RWTD: Read-write timing different	0x0
Bit 13	NWSEN: NWAIT in synchronous transfer enable	0x0
Bit 12	WEN: Write enable	Configure according to needs.
Bit 11	NWTCFG: NWAIT timing configuration	0x0
Bit 10	WRAPEN: Wrapped enable	0x0
Bit 9	NWPOL: NWAIT polarity	Configure according to memory specifications.
Bit 8	SYNCBEN: Synchronous burst enable	0x0
Bit 7	Reserved	0x1
Bit 6	NOREN: NOR Flash access enable	0x1
Bit 5:4	EXTMDBW: External memory data bus width	Configure according to memory specifications.
Bit 3:2	DEV: Memory device type	0x2 (NOR Flash)
Bit 1	ADMUXEN: Address/data multiplexing enable	0x0
Bit 0	EN: Memory bank enable	0x1

Table 22-11 Mode 2 — SRAM/NOR Flash chip select timing register (XMC_BK1TMG)

Bit	Description	Configuration
Bit 31: 30	Reserved	0x0
Bit 29: 28	ASYNM: Asynchronous mode	0x0
Bit 27: 24	DTLAT: Data latency	0x0
Bit 23: 20	CLKPSC: Clock prescale	0x0
Bit 19: 16	BUSLAT: Bus latency	Indicates the time the XMC_NE[x] from the rising edge to the falling edge. Configure according to needs and memory specifications
Bit 15: 8	DTST: Data setup time	Refer to Figure 22-5 and Figure 22-6 . Configure according to needs and memory specifications.
Bit 7: 4	ADDRHT: Address-hold time	0x0
Bit 3: 0	ADDRST: Address setup time	Refer to Figure 22-5 and Figure 22-6 . Configure according to needs and memory specifications.

Figure 22-5 NOR/PSARM mode 2 read access

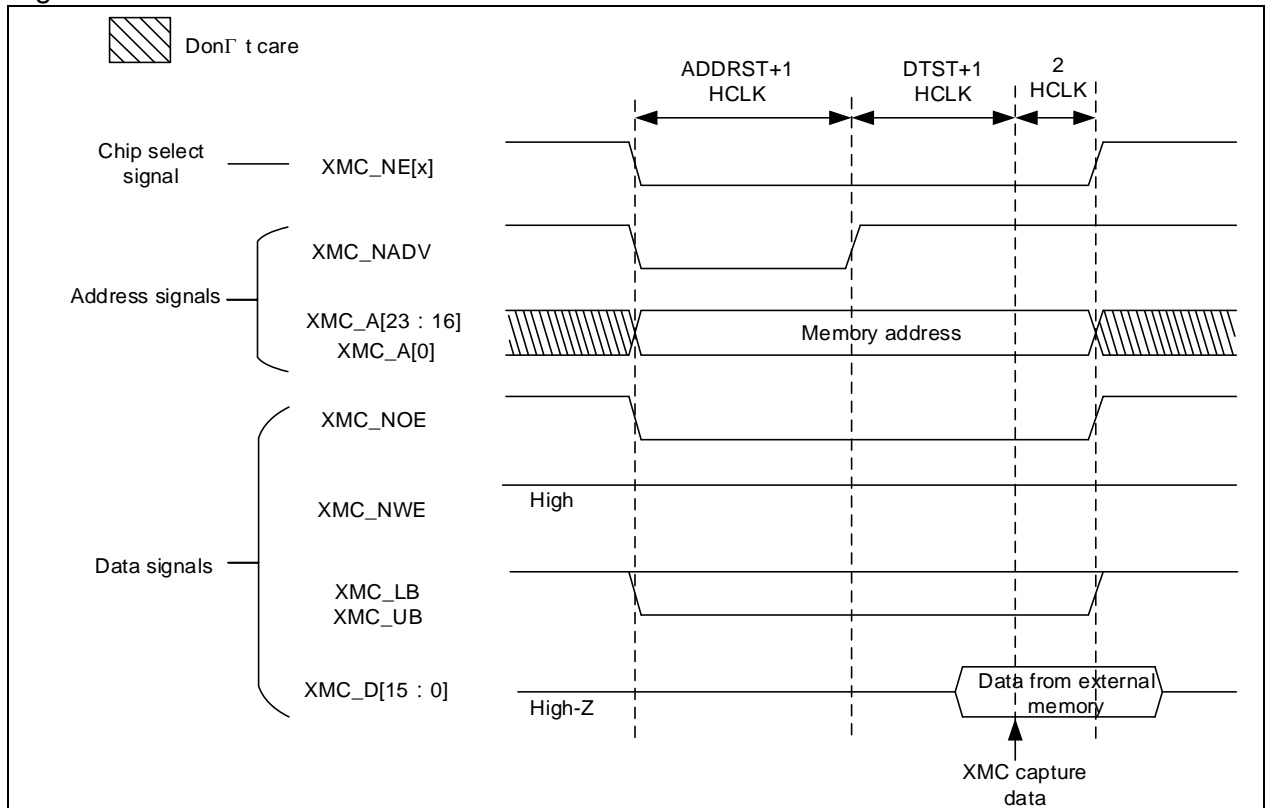
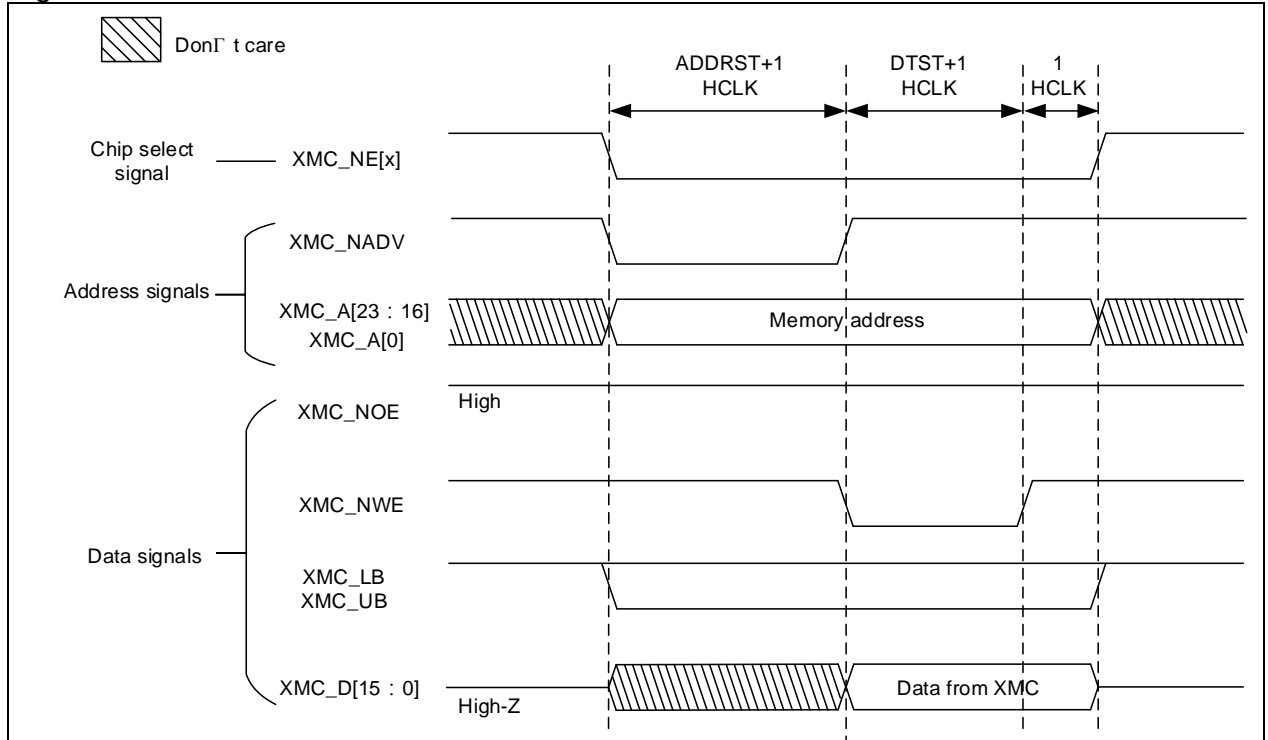


Figure 22-6 NOR/PSARM mode 2 write access



22.4.2.2 Read/write operation with different timings

The timing of read operation in mode A/B/C/D is based on the SRAM/NOR Flash chip select timing register (XMC_BK1TMG). The timing of write operation is based on SRAM/NOR Flash write timing register (XMC_BK1TMGWR). In addition to this, it is possible to mix A, B, C and D modes for read and write operations.

Mode A

As configured in [Table 22-12](#), [Table 22-13](#) and [Table 22-14](#), the XMC uses mode A to access the external memory. The timing of read operation is shown in [Figure 22-7](#). The timing of write operation is shown in [Figure 22-8](#).

Table 22-12 Mode A— SRAM/NOR Flash chip select control register (XMC_BK1CTRL)

Bit	Description	Configuration
Bit 31: 20	Reserved	0x0
Bit 19	MWMC: Memory write mode control	0x0
Bit 18: 16	CRPGS: CRAM page size	0x0
Bit 15	NWASEN: NWAIT in asynchronous transfer enable	Configure according to memory specifications.
Bit 14	RWTD: Read-write timing different	0x1
Bit 13	NWSEN: NWAIT in synchronous transfer enable	0x0
Bit 12	WEN: Write enable	Configure according to needs.
Bit 11	NWTCFG: NWAIT timing configuration	0x0
Bit 10	WRAPEN: Wrapped enable	0x0
Bit 9	NWPOL: NWAIT polarity	Configure according to memory specifications.
Bit 8	SYNCBEN: Synchronous burst enable	0x0
Bit 7	Reserved	0x1
Bit 6	NOREN: NOR Flash access enable	0x0
Bit 5: 4	EXTMDBW: External memory data bus width	Configure according to memory specifications.
Bit 3: 2	DEV: Memory device type	Configure according to memory specifications. It is valid except 0x2 (NOR Flash)
Bit 1	ADMUXEN: Address/data multiplexing enable	0x0
Bit 0	EN: Memory bank enable	0x1

Table 22-13 Mode A— SRAMNOR Flash chip select timing register (XMC_BK1TMG)

Bit	Description	Configuration
Bit 31: 30	Reserved	0x0
Bit 29: 28	ASYNCM: Asynchronous mode	0x0 (Mode A)
Bit 27: 24	DTLAT: Data latency	0x0
Bit 23: 20	CLKPSC: Clock prescale	0x0
Bit 19: 16	BUSLAT: Bus latency	Indicates the time the XMC_NE[x] from the rising edge to the falling edge. Configure according to needs and memory specifications
Bit 15: 8	DTST: Data setup time	Refer to Figure 22-7 . Configure according to needs and memory specifications.
Bit 7: 4	ADDRHT: Address-hold time	0x0
Bit 3: 0	ADDRST: Address setup time	Refer to Figure 22-7 . Configure according to needs and memory specifications.

Table 22-14 Mode A— SRAMNOR Flash write timing register (XMC_BK1TMGWR)

Bit	Description	Configuration
Bit 31: 30	Reserved	0x0
Bit 29: 28	ASYNCM: Asynchronous mode	0x0 (Mode A)
Bit 27: 20	Reserved	0x0
Bit 19: 16	BUSLAT: Bus latency	Indicates the time the XMC_NE[x] from the rising edge to the falling edge. Configure according to needs and memory specifications
Bit 15: 8	DTST: Data setup time	Refer to Figure 22-8 . Configure according to needs and memory specifications.
Bit 7: 4	ADDRHT: Address-hold time	0x0
Bit 3: 0	ADDRST: Address setup time	Refer to Figure 22-8 . Configure according to needs and memory specifications.

Figure 22-7 NOR/PSARM mode A read access

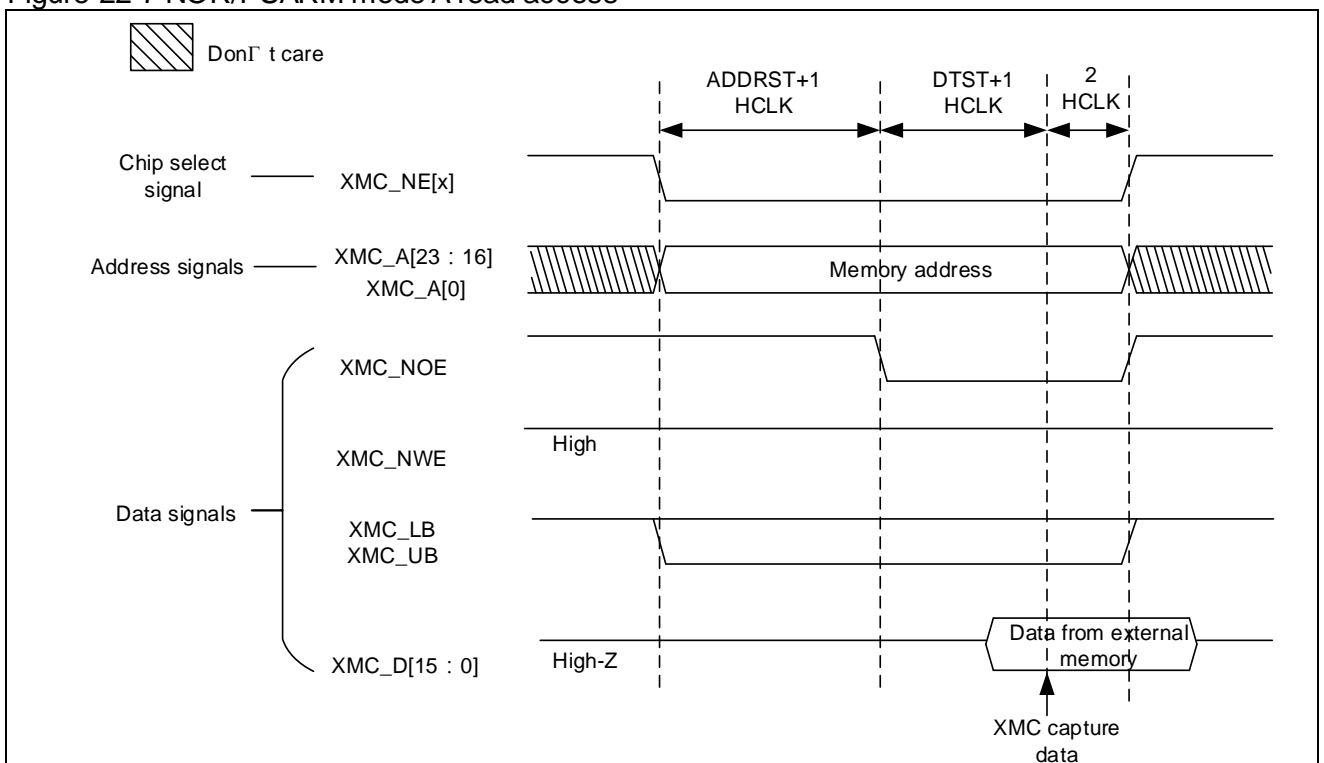
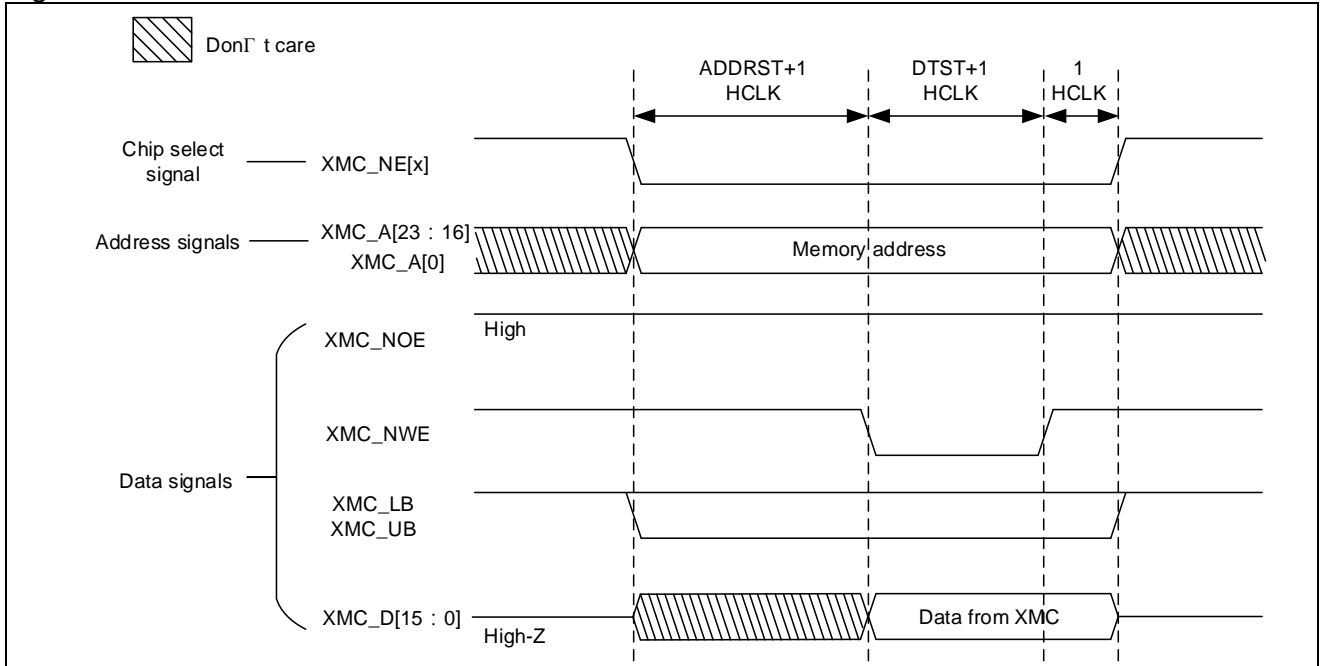


Figure 22-8 NOR/PSARM mode A write access



Mode B

As configured in [Table 22-15](#), [Table 22-16](#) and [Table 22-17](#), the XMC uses mode B to access the external memory. The timing of read operation is shown in [Figure 22-9](#). The timing of write operation is shown in [Figure 22-10](#).

Table 22-15 Mode B—SRAM/NOR Flash chip select register (XMC_BK1CTRL)

Bit	Description	Configuration
Bit 31: 20	Reserved	0x0
Bit 19	MWMC: Memory write mode control	0x0
Bit 18: 16	CRPGS: CRAM page size	0x0
Bit 15	NWASEN: NWAIT in asynchronous transfer enable	Configure according to memory specifications.
Bit 14	RWTD: Read-write timing different	0x1
Bit 13	NWSEN: NWAIT in synchronous transfer enable	0x0
Bit 12	WEN: Write enable	Configure according to needs.
Bit 11	NWTCFG: NWAIT timing configuration	0x0
Bit 10	WRAPEN: Wrapped enable	0x0
Bit 9	NWPOL: NWAIT polarity	Configure according to memory specifications.
Bit 8	SYNCBEN: Synchronous burst enable	0x0
Bit 7	Reserved	0x1
Bit 6	NOREN: NOR Flash access enable	0x1
Bit 5: 4	EXTMDBW: External memory data bus width	Configure according to memory specifications.
Bit 3: 2	DEV: Memory device type	0x2 (NOR Flash)
Bit 1	ADMUXEN: Address/data multiplexing enable	0x0
Bit 0	EN: Memory bank enable	0x1

Table 22-16 Mode B— SRAM/NOR Flash chip select timing register (XMC_BK1TMG)

Bit	Description	Configuration
Bit 31: 30	Reserved	0x0
Bit 29: 28	ASYNCM: Asynchronous mode	0x1 (Mode B)
Bit 27: 24	DTLAT: Data latency	0x0
Bit 23: 20	CLKPSC: Clock prescale	0x0
Bit 19: 16	BUSLAT: Bus latency	Indicates the time the XMC_NE[x] from the rising edge to the falling edge. Configure according to needs and memory specifications
Bit 15: 8	DTST: Data setup time	Refer to Figure 22-9 . Configure according to needs and memory specifications.
Bit 7: 4	ADDRHT: Address-hold time	0x0
Bit 3: 0	ADDRST: Address setup time	Refer to Figure 22-9 . Configure according to needs and memory specifications.

Table 22-17 Mode B— SRAM/NOR Flash write timing register (XMC_BK1TMGWR)

Bit	Description	Configuration
Bit 31: 30	Reserved	0x0
Bit 29: 28	ASYNCM: Asynchronous mode	0x1 (Mode B)
Bit 27: 20	Reserved	0x0
Bit 19: 16	BUSLAT: Bus latency	Indicates the time the XMC_NE[x] from the rising edge to the falling edge. Configure according to needs and memory specifications
Bit 15: 8	DTST: Data setup time	Refer to Figure 22-10 . Configure according to needs and memory specifications.
Bit 7: 4	ADDRHT: Address-hold time	0x0
Bit 3: 0	ADDRST: Address setup time	Refer to Figure 22-10 . Configure according to needs and memory specifications.

Figure 22-9 NOR/PSARM mode B read access

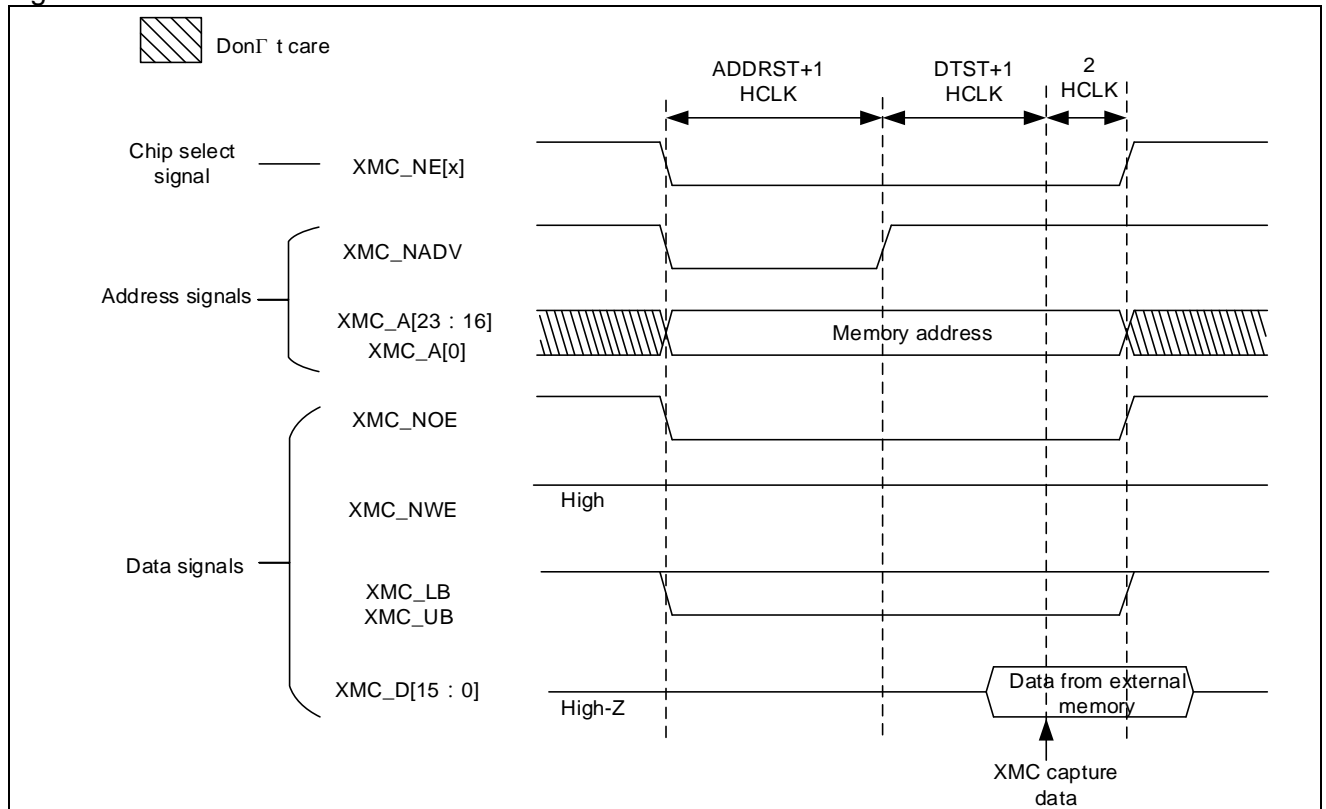
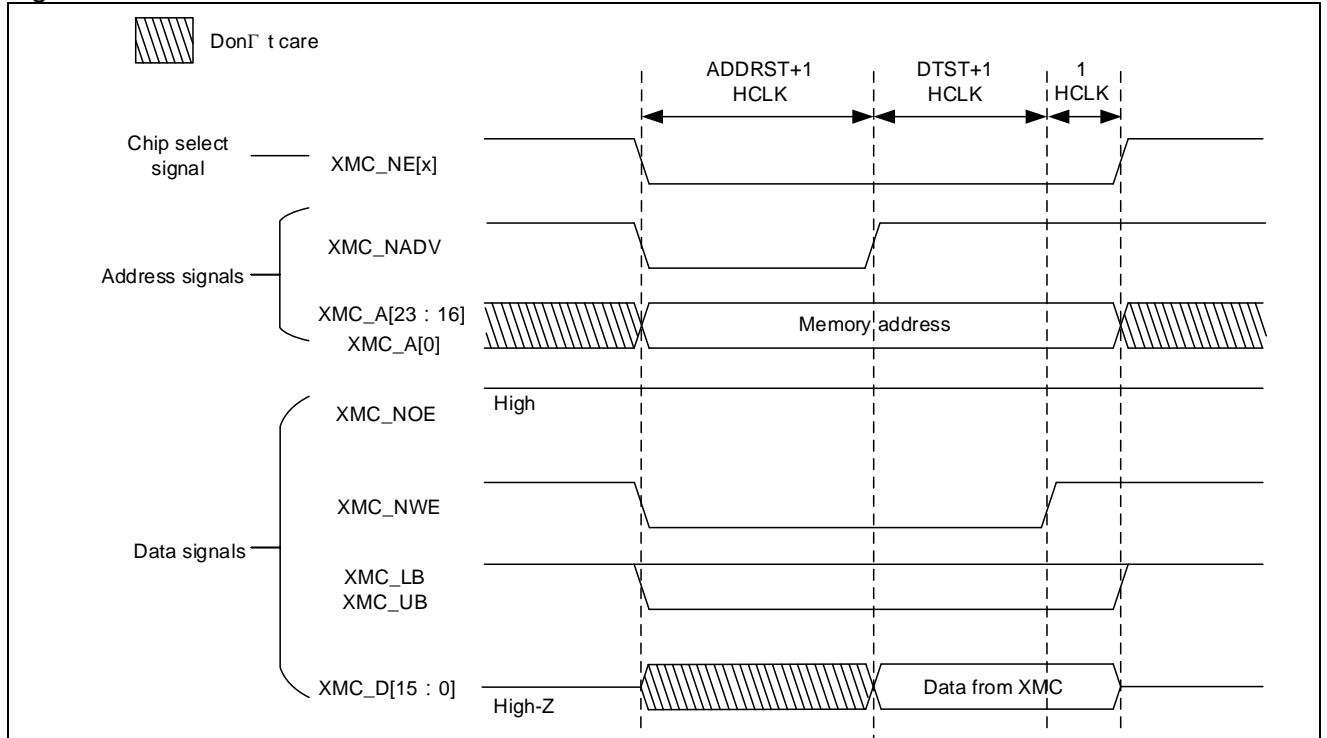


Figure 22-10 NOR/PSARM mode B write access



Mode C

As configured in [Table 22-18](#), [Table 22-19](#) and [Table 22-20](#), the XMC uses mode C to access the external memory. The timing of read operation is shown in [Figure 22-11](#). The timing of write operation is shown in [Figure 22-12](#).

Table 22-18 Mode C— SRAM/NOR Flash chip select register (XMC_BK1CTRL)

Bit	Description	Configuration
Bit 31: 20	Reserved	0x0
Bit 19	MWMC: Memory write mode control	0x0
Bit 18: 16	CRPGS: CRAM page size	0x0
Bit 15	NWASEN: NWAIT in asynchronous transfer enable	Configure according to memory specifications.
Bit 14	RWTD: Read-write timing different	0x1
Bit 13	NWSEN: NWAIT in synchronous transfer enable	0x0
Bit 12	WEN: Write enable	Configure according to needs.
Bit 11	NWTCFG: NWAIT timing configuration	0x0
Bit 10	WRAPEN: Wrapped enable	0x0
Bit 9	NWPOL: NWAIT polarity	Configure according to memory specifications.
Bit 8	SYNCBEN: Synchronous burst enable	0x0
Bit 7	Reserved	0x1
Bit 6	NOREN: NOR Flash access enable	0x1
Bit 5: 4	EXTMDBW: External memory data bus width	Configure according to memory specifications.
Bit 3: 2	DEV: Memory device type	0x2 (NOR Flash)
Bit 1	ADMUXEN: Address/data multiplexing enable	0x0
Bit 0	EN: Memory bank enable	0x1

Table 22-19 Mode C—SRAM/NOR Flash chip select timing register (XMC_BK1TMG)

Bit	Description	Configuration
Bit 31: 30	Reserved	0x0
Bit 29: 28	ASYNCM: Asynchronous mode	0x2 (Mode C)
Bit 27: 24	DTLAT: Data latency	0x0
Bit 23: 20	CLKPSC: Clock prescale	0x0
Bit 19: 16	BUSLAT: Bus latency	Indicates the time the XMC_NE[x] from the rising edge to the falling edge. Configure according to needs and memory specifications
Bit 15: 8	DTST: Data setup time	Refer to Figure 22-11 . Configure according to needs and memory specifications.
Bit 7: 4	ADDRHT: Address-hold time	0x0
Bit 3: 0	ADDRST: Address setup time	Refer to Figure 22-11 . Configure according to needs and memory specifications.

Table 22-20 Mode C—SRAM/NOR Flash write timing register (XMC_BK1TMGWR)

Bit	Description	Configuration
Bit 31: 30	Reserved	0x0
Bit 29: 28	ASYNCM: Asynchronous mode	0x1 (Mode C)
Bit 27: 20	Reserved	0x0
Bit 19: 16	BUSLAT: Bus latency	Indicates the time the XMC_NE[x] from the rising edge to the falling edge. Configure according to needs and memory specifications
Bit 15: 8	DTST: Data setup time	Refer to Figure 22-12 . Configure according to needs and memory specifications.
Bit 7: 4	ADDRHT: Address-hold time	0x0
Bit 3: 0	ADDRST: Address setup time	Refer to Figure 22-12 . Configure according to needs and memory specifications.

Figure 22-11 NOR/PSARM mode C read access

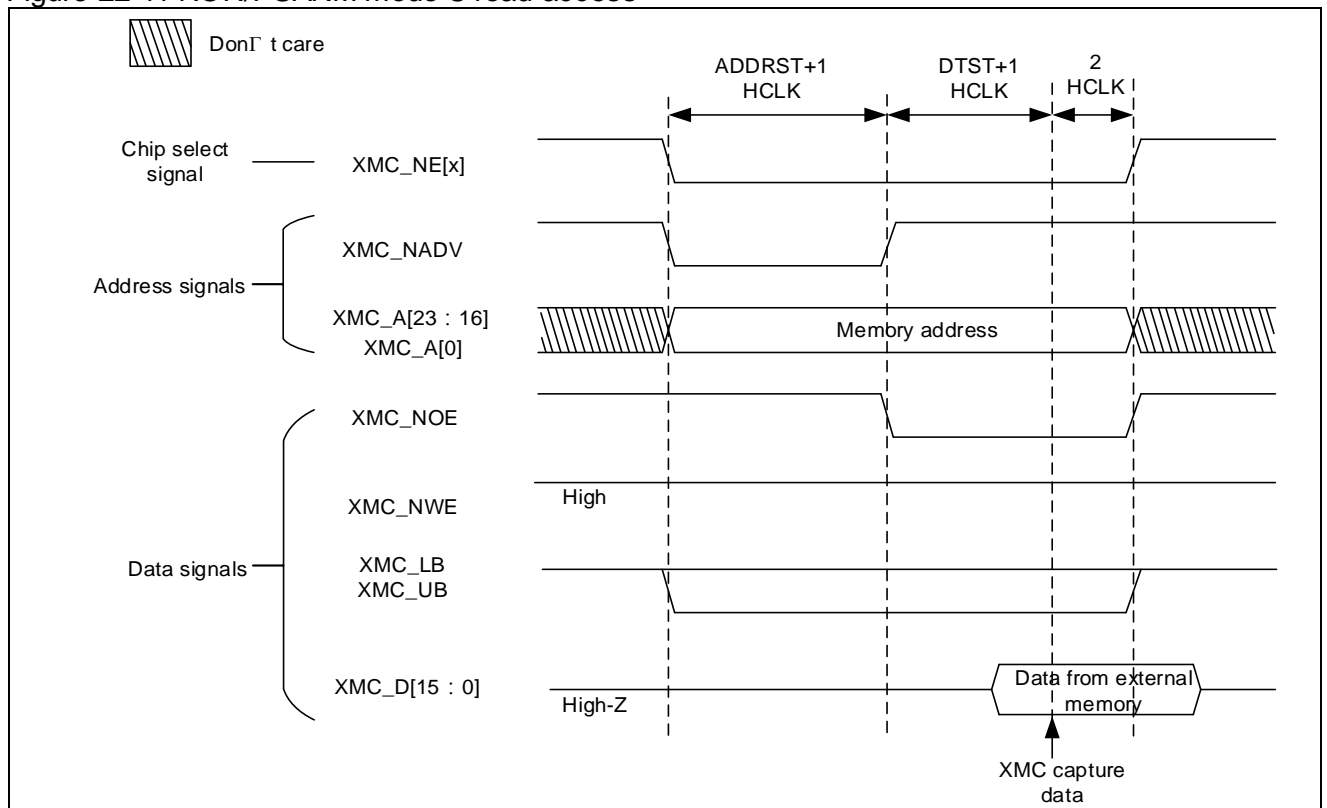
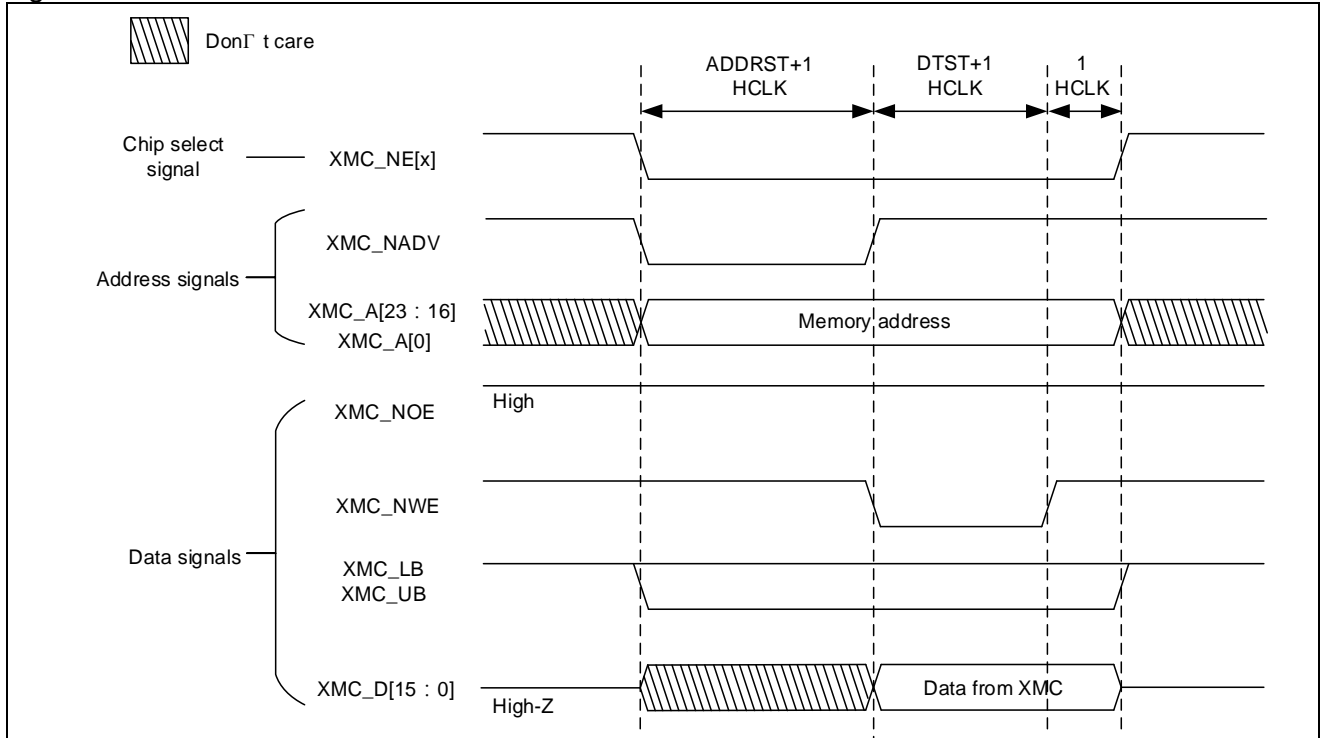


Figure 22-12 NOR/PSARM mode C write access



Mode D

As configured in [Table 22-21](#), [Table 22-22](#) and [Table 22-23](#), the XMC uses mode D to access the external memory. The timing of read operation is shown in [Figure 22-13](#). The timing of write operation is shown in [Figure 22-14](#).

Table 22-21 Mode D— SRAM/NOR Flash chip select register (XMC_BK1CTRL)

Bit	Description	Configuration
Bit 31: 20	Reserved	0x0
Bit 19	MWMC: Memory write mode control	0x0
Bit 18: 16	CRPGS: CRAM page size	0x0
Bit 15	NWASEN: NWAIT in asynchronous transfer enable	Configure according to memory specifications.
Bit 14	RWTD: Read-write timing different	0x1
Bit 13	NWSEN: NWAIT in synchronous transfer enable	0x0
Bit 12	WEN: Write enable	Configure according to needs.
Bit 11	NWTCFG: NWAIT timing configuration	0x0
Bit 10	WRAPEN: Wrapped enable	0x0
Bit 9	NWPOL: NWAIT polarity	Configure according to memory specifications.
Bit 8	SYNCBEN: Synchronous burst enable	0x0
Bit 7	Reserved	0x1
Bit 6	NOREN: NOR Flash access enable	Configure according to memory specifications.
Bit 5: 4	EXTMDBW: External memory data bus width	Configure according to memory specifications.
Bit 3: 2	DEV: Memory device type	Configure according to memory specifications.
Bit 1	ADMUXEN: Address/data multiplexing enable	0x0
Bit 0	EN: Memory bank enable	0x1

Table 22-22 Mode D—SRAM/NOR Flash chip select timing register (XMC_BK1TMG)

Bit	Description	Configuration
Bit 31: 30	Reserved	0x0
Bit 29: 28	ASYNCM: Asynchronous mode	0x3 (Mode D)
Bit 27: 24	DTLAT: Data latency	0x0
Bit 23: 20	CLKPSC: Clock prescale	0x0
Bit 19: 16	BUSLAT: Bus latency	Indicates the time the XMC_NE[x] from the rising edge to the falling edge. Configure according to needs and memory specifications
Bit 15: 8	DTST: Data setup time	Refer to Figure 22-13 . Configure according to needs and memory specifications.
Bit 7: 4	ADDRHT: Address-hold time	Refer to Figure 22-13 . Configure according to needs and memory specifications.
Bit 3: 0	ADDRST: Address setup time	Refer to Figure 22-13 . Configure according to needs and memory specifications.

Table 22-23 Mode D—SRAM/NOR Flash write timing register (XMC_BK1TMGWR)

Bit	Description	Configuration
Bit 31: 30	Reserved	0x0
Bit 29: 28	ASYNCM: Asynchronous mode	0x3 (Mode D)
Bit 27: 20	Reserved	0x0
Bit 19: 16	BUSLAT: Bus latency	Indicates the time the XMC_NE[x] from the rising edge to the falling edge. Configure according to needs and memory specifications
Bit 15: 8	DTST: Data setup time	Refer to Figure 22-14 . Configure according to needs and memory specifications.
Bit 7: 4	ADDRHT: Address-hold time	Refer to Figure 22-14 . Configure according to needs and memory specifications.
Bit 3: 0	ADDRST: Address setup time	Refer to Figure 22-14 . Configure according to needs and memory specifications.

Figure 22-13 NOR/PSARM mode D read access

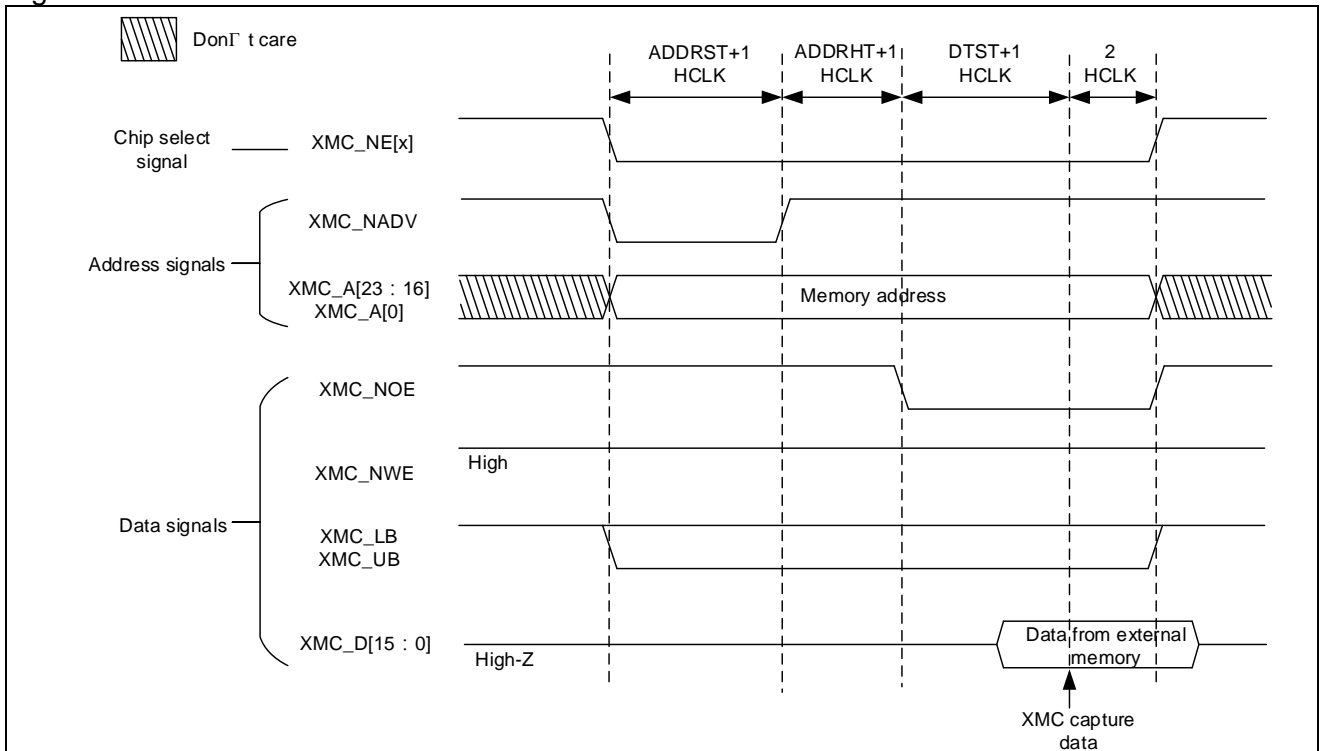
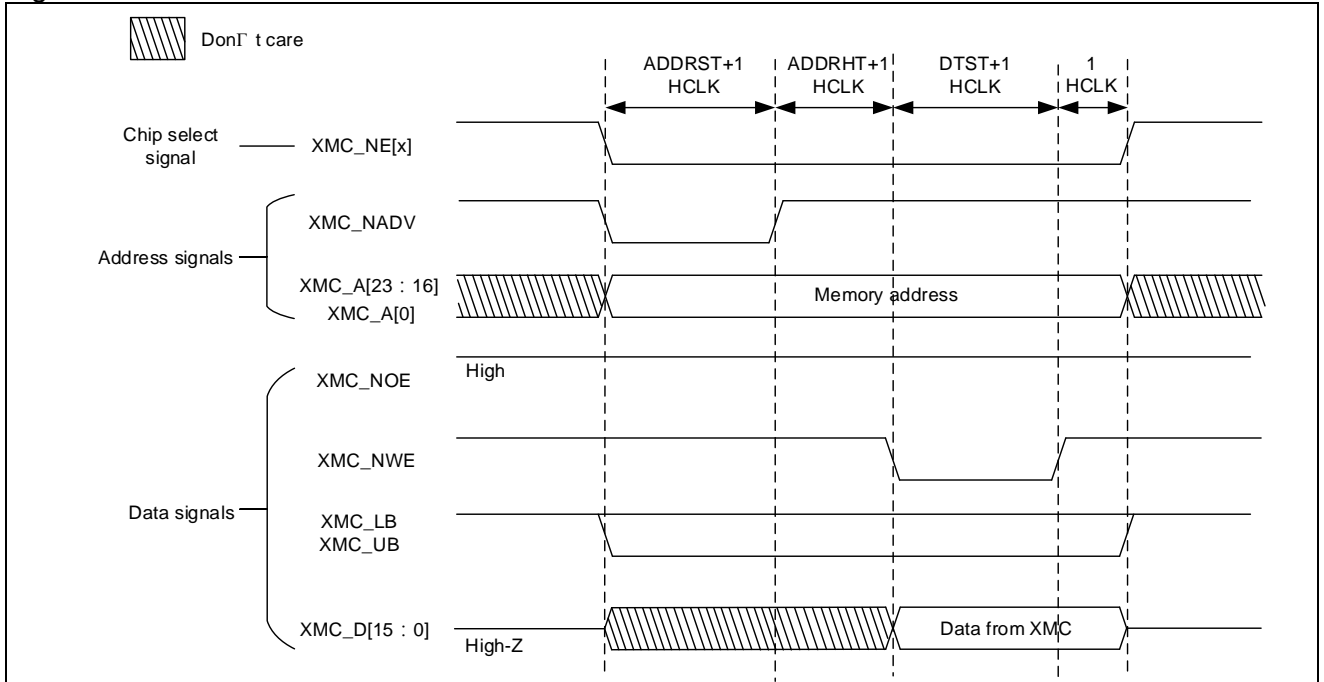


Figure 22-14 NOR/PSARM mode D write access



22.4.2.3 Multiplexed mode

As configured in [Table 22-24](#) and [Table 22-25](#), the XMC uses mode A to access the external memory. The timing of read operation is shown in [Figure 22-15](#). The timing of write operation is shown in [Figure 22-16](#).

Table 22-24 Multiplexed mode — SRAM/NOR Flash chip select control register (XMC_BK1CTRL)

Bit	Description	Configuration
Bit 31: 20	Reserved	0x0
Bit 19	MWMC: Memory write mode control	0x0
Bit 18: 16	CRPGS: CRAM page size	0x0
Bit 15	NWASEN: NWAIT in asynchronous transfer enable	Configure according to memory specifications.
Bit 14	RWTD: Read-write timing different	0x0
Bit 13	NWSEN: NWAIT in synchronous transfer enable	0x0
Bit 12	WEN: Write enable	Configure according to needs.
Bit 11	NWTCFG: NWAIT timing configuration	0x0
Bit 10	WRAPEN: Wrapped enable	0x0
Bit 9	NWPOL: NWAIT polarity	Configure according to memory specifications.
Bit 8	SYNCBEN: Synchronous burst enable	0x0
Bit 7	Reserved	0x1
Bit 6	NOREN: NOR Flash access enable	Configure according to memory specifications.
Bit 5: 4	EXTMDBW: External memory data bus width	Configure according to memory specifications.
Bit 3: 2	DEV: Memory device type	Configure according to memory specifications. It is valid except 0x0 (SRAM)
Bit 1	ADMUXEN: Address/data multiplexing enable	0x1
Bit 0	EN: Memory bank enable	0x1

Table 22-25 Multiplexed mode—SRAM/NOR Flash chip select timing register (XMC_BK1TMG)

Bit	Description	Configuration
Bit 31:30	Reserved	0x0
Bit 29:28	ASYNCM: Asynchronous mode	0x0
Bit 27:24	DTLAT: Data latency	0x0
Bit 23:20	CLKPSC: Clock prescale	0x0
Bit 19:16	BUSLAT: Bus latency	Indicates the time the XMC_NE[x] from the rising edge to the falling edge. Configure according to needs and memory specifications
Bit 15:8	DTST: Data setup time	Refer to Figure 22-15 and Figure 22-16 . Configure according to needs and memory specifications.
Bit 7:4	ADDRHT: Address-hold time	Refer to Figure 22-15 and Figure 22-16 . Configure according to needs and memory specifications.
Bit 3:0	ADDRST: Address setup time	Refer to Figure 22-15 and Figure 22-16 . Configure according to needs and memory specifications.

Figure 22-15 NOR/PSARM multiplexed mode read access

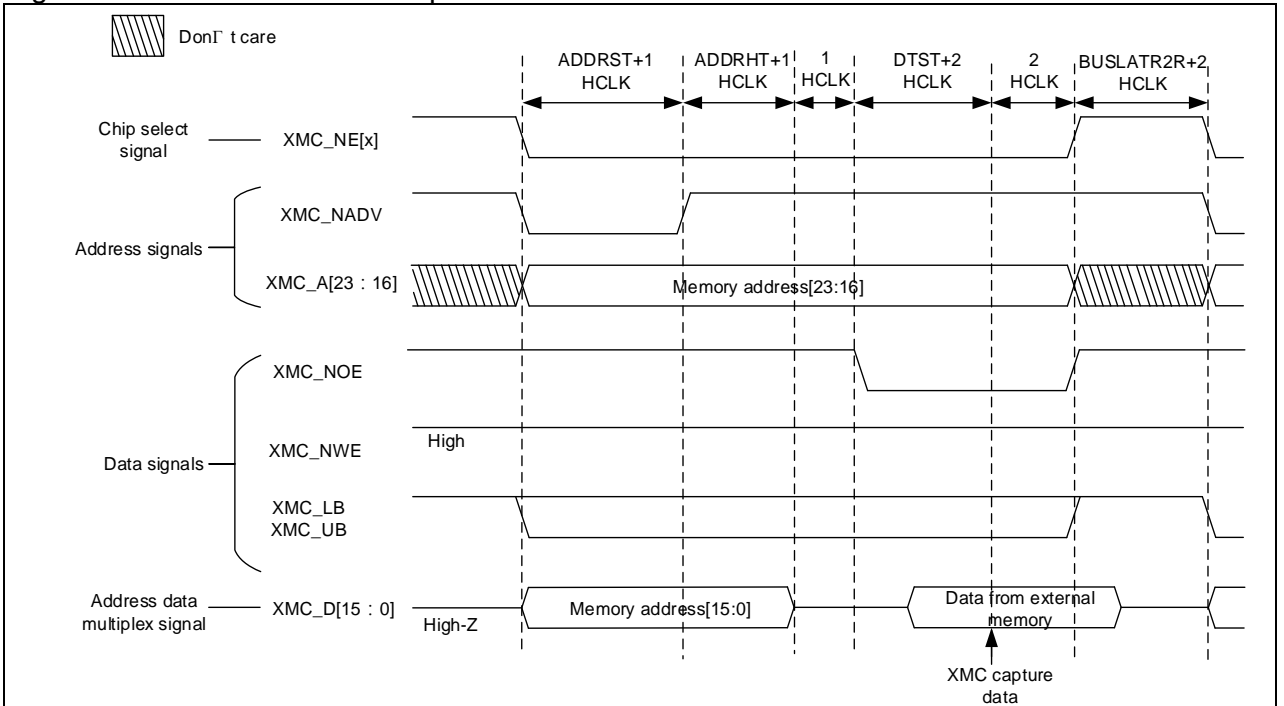
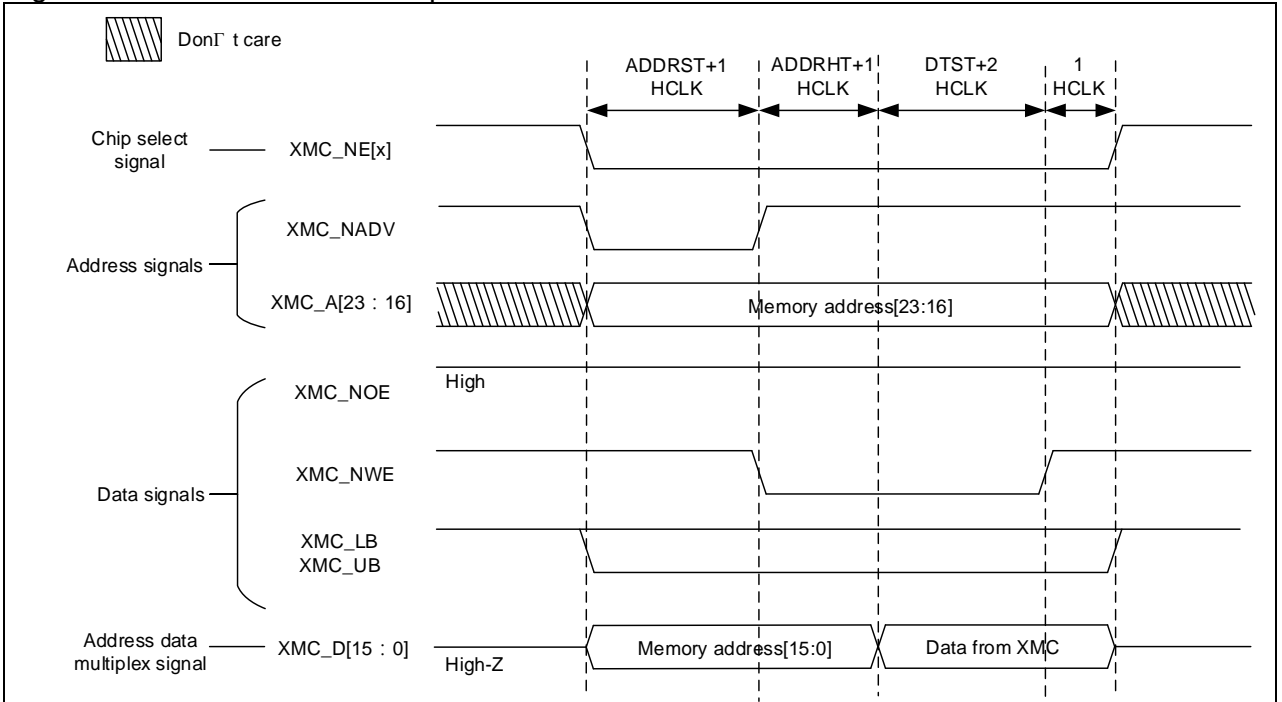


Figure 22-16 NOR/PSARM multiplexed mode write access



22.4.2.4 Synchronous mode

As configured in [Table 22-26](#) and [Table 22-27](#), the XMC uses synchronous mode to access the external memories.

If the memory inserts XMC_NWAIT signal between the address latch and data transfer, the XMC will not only wait (DTLAT+1) CLK clock cycles but also have to take into account the XMC_NWAIT signal. During data transmission, the XMC will, depending on the NWTCFG configuration, select to wait either one cycle after the XMC_NWAIT signal is active or when the XMC_NWAIT signal is active.

[Figure 22-17](#) shows the timing for read access, while [Figure 22-18](#) shows the timing for write access. [Figure 22-17](#) and [Figure 22-18](#) are examples of XMC waiting in the next cycle of XMC_NWAIT signal (NWTCFG=0)

Table 22-26 Synchronous mode — SRAM/NOR Flash chip select control register (XMC_BK1CTRL)

Bit	Description	Configuration
Bit 31: 20	Reserved	0x0
Bit 19	MWMC: Memory write mode control	0x1
Bit 18: 16	CRPGS: CRAM page size	Configure according to memory specifications.
Bit 15	NWASEN: NWAIT in asynchronous transfer enable	0x0
Bit 14	RWTD: Read-write timing different	0x0
Bit 13	NWSEN: NWAIT in synchronous transfer enable	Configure according to memory specifications.
Bit 12	WEN: Write enable	Configure according to needs.
Bit 11	NWTCFG: NWAIT timing configuration	Configure according to memory specifications.
Bit 10	WRAPEN: Wrapped enable	Configure according to needs.
Bit 9	NWPOL: NWAIT polarity	c
Bit 8	SYNCBEN: Synchronous burst enable	0x1
Bit 7	Reserved	0x1
Bit 6	NOREN: NOR Flash access enable	Write synchronization: 0x0 Read synchronization: Configure according to memory specifications.
Bit 5: 4	EXTMDBW: External memory data bus width	Configure according to memory specifications.
Bit 3: 2	DEV: Memory device type	Write synchronization: 0x1 Read synchronization: Configure according to memory specifications. It is valid except 0x0 (SRAM)
Bit 1	ADMUXEN: Address/data multiplexing enable	Configure according to needs.

Bit 0	EN: Memory bank enable	0x1
-------	------------------------	-----

Table 22-27 Synchronous mode—SRAM/NOR Flash chip select timing register (XMC_BK1TMG)

Bit	Description	Configuration
Bit 31: 30	Reserved	0x0
Bit 29: 28	ASYNM: Asynchronous mode	0x0
Bit 27: 24	DTLAT: Data latency	Refer to Figure 22-17 and Figure 22-18 .
Bit 23: 20	CLKPSC: Clock prescale	XMC_CLK cycle is HCLK cycle*(CLKPSC+1). Refer to Figure 22-17 and Figure 22-18
Bit 19: 16	BUSLAT: Bus latency	Indicates the time the XMC_NE[x] from the rising edge to the falling edge. Configure according to needs and memory specifications
Bit 15: 8	DTST: Data setup time	0x0
Bit 7: 4	ADDRHT: Address-hold time	0x0
Bit 3: 0	ADDRST: Address setup time	0x0

Figure 22-17 NOR/PSARM synchronous multiplexed mode read access

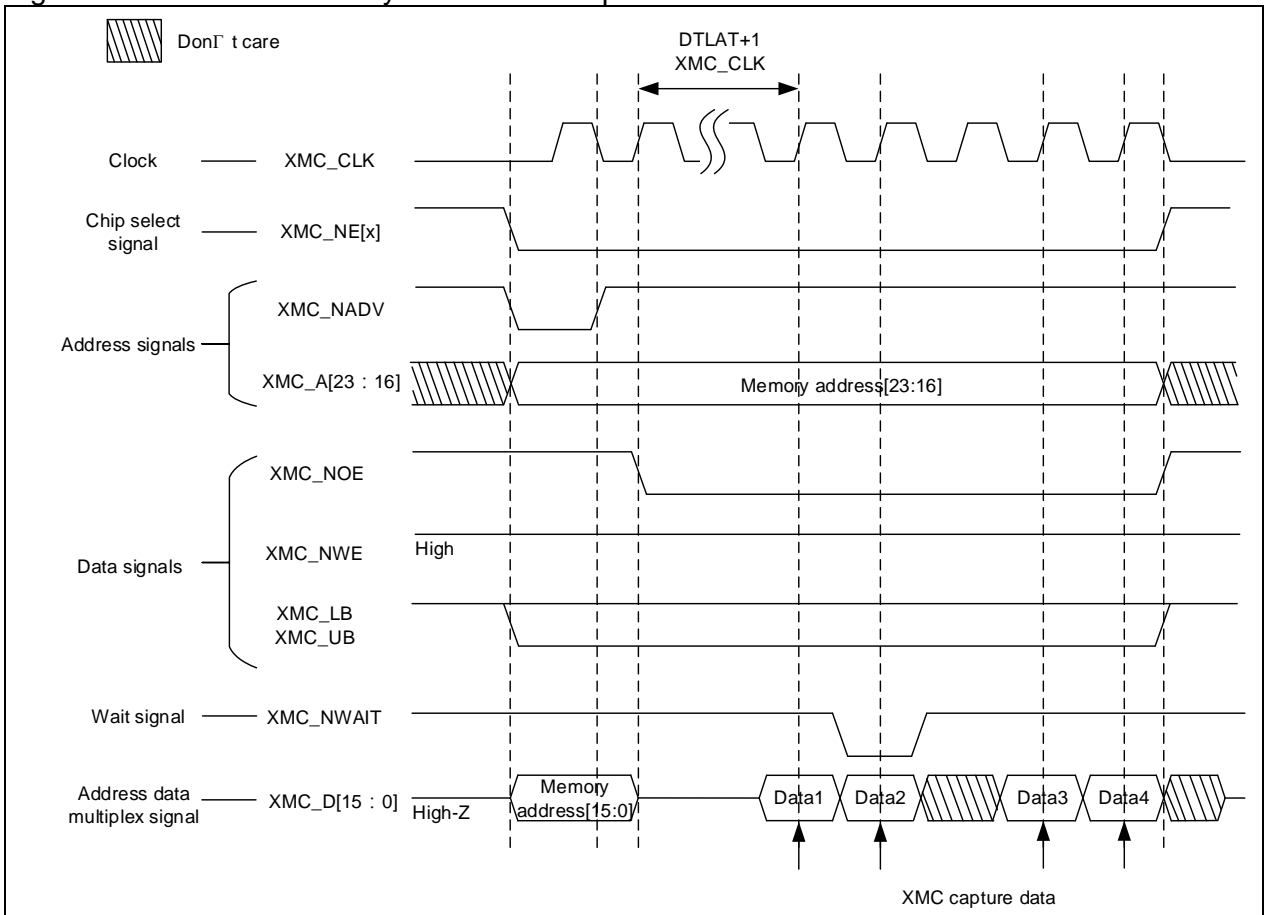
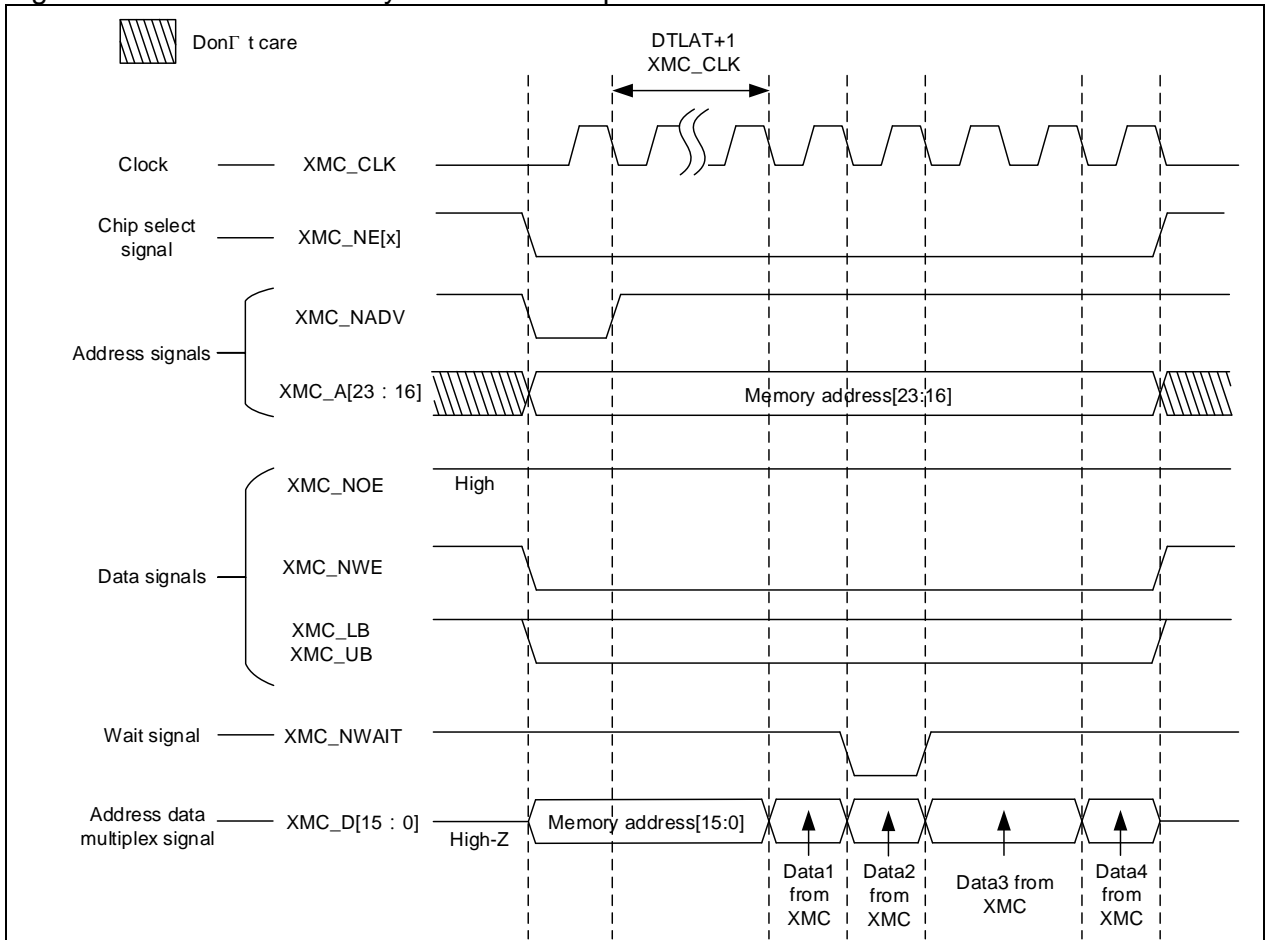


Figure 22-18 NOR/PSARM synchronous multiplexed mode write access



22.5 NAND

NAND interface can be used to drive NAND Flash. It is divided into two storage banks: regular bank and special bank, each with its separate timing registers. Both banks can be accessible with different timings.

22.5.1 Operation mode

Pin function:

Pin signals vary from external memory to external memory. Table 22-28 lists typical pin signals.

Table 22-28 Typical pin signals for NAND Flash

XMC pin name	8-bit NAND Flash	16-bit NAND Flash
XMC_NCE[2]	Chip-select	Chip-select
XMC_A[17]	Address latch enable (ALE)	Address latch enable (ALE)
XMC_A[16]	Command latch enable (CLE)	Command latch enable (CLE)
XMC_NOE	Output enable (NRE)	Output enable (NRE)
XMC_NWE	Write enable	Write enable
XMC_D[15: 0]	Data bus	Do not use XMC_D[15: 8] Use XMC_D[7: 0] as data bus.
XMC_NWAIT	Ready/Busy (R/B)	Ready/Busy (R/B)

Access address

The upper bytes of the HADDR bit is used to select a memory bank while the lower bytes to data memory address. HADDR is a byte address whereas the XMC supports the memory addressed in words or half words. Address translation between them is shown in [Table 22-5](#). As long as read/write access to a specific address occurs, the XMC will enable chip-select signals and write/read operation to the external memories according to the HADDR bit.

The HADDR is only used to select memory banks. Refer to [Table 22-3](#) for more information.

The user writes the command value in the command section, the destination address in the address

section, and reads or writes the data from or to the data section. As the access addresses are transmitted through data bus, the HADDR is actually not associated with NAND Flash size, so theoretically the XMC has no limitation on the NAND Flash capacity accessible.

Data access

In case that the AHB data width is not equal to that of the memories, the XMC will make appropriate arrangement according to the typical signals of the external memories. [Table 22-29](#) lists the operation modes supported by XMC.

Table 22-29 Data access width vs. external memory data width

Memory	Mode	AHB data width	Memory width	Description
8-bit NAND	R/W	8	8	
	R/W	16	8	Split into two XMC accesses
	R/W	32	8	Split into four XMC accesses
16-bit NAND	R	8	16	
	R/W	16	16	
	R/W	32	16	Split into two XMC accesses

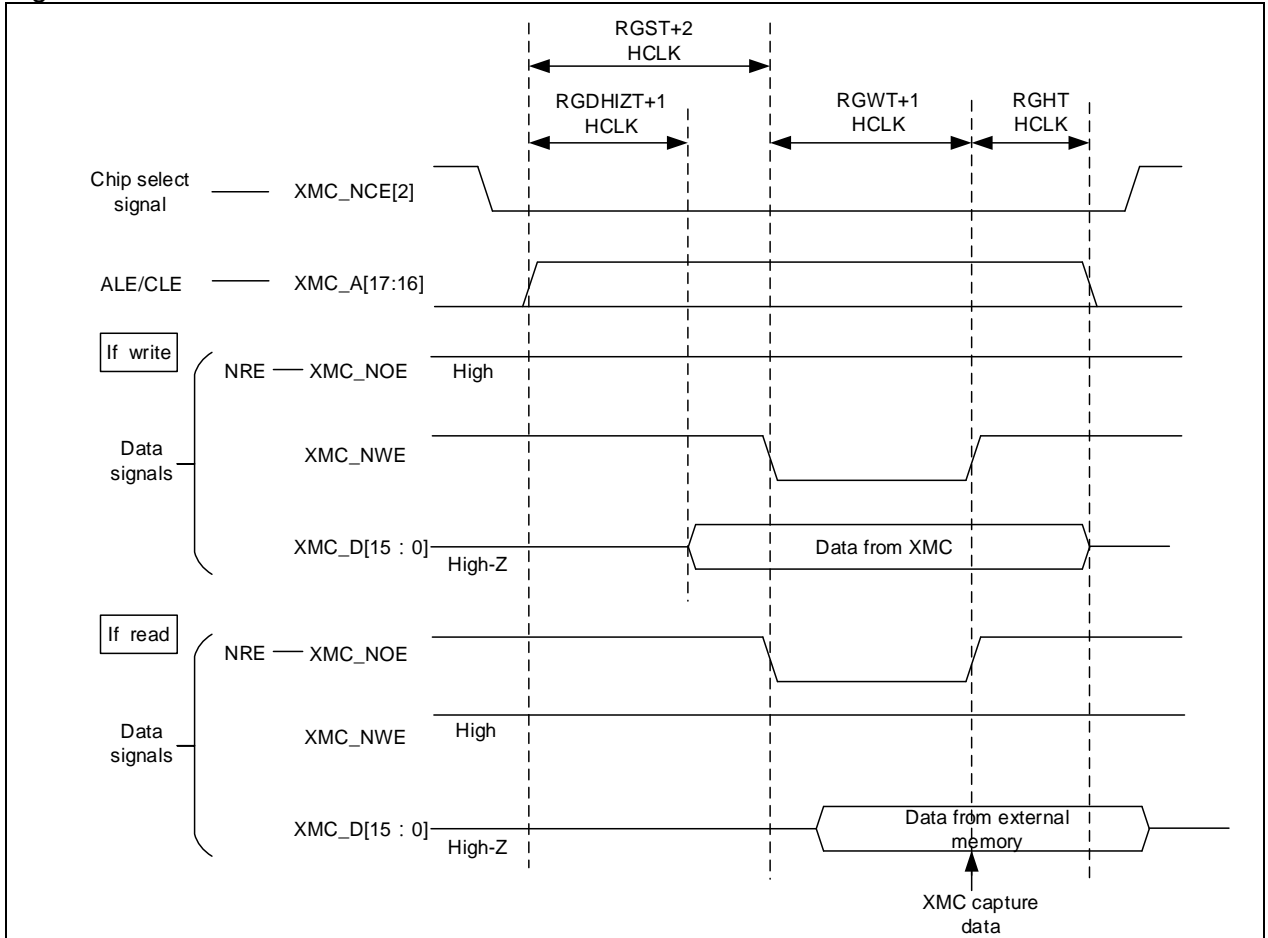
22.5.2 Access timings

The XMC access the NAND Flash according to the timing parameters, as shown in [Table 22-30](#) and [Table 22-19](#). Users can perform programming operations according to the specifications of the external memory and application needs.

Table 22-30 NAND parameter registers

Parameter register	Function	Access mode	Unit
RGDHIZT/SPDHIZT	Number of cycles during which the data bus is kept in high-Z state	W	HCLK cycle
RGST/SPST	Memory set up time	R/W	HCLK cycle
RGWT/SPWT	Memory set up time	R/W	HCLK cycle
RGHT/SPHT	Memory set up time	R/W	HCLK cycle

Figure 22-19 NAND read access

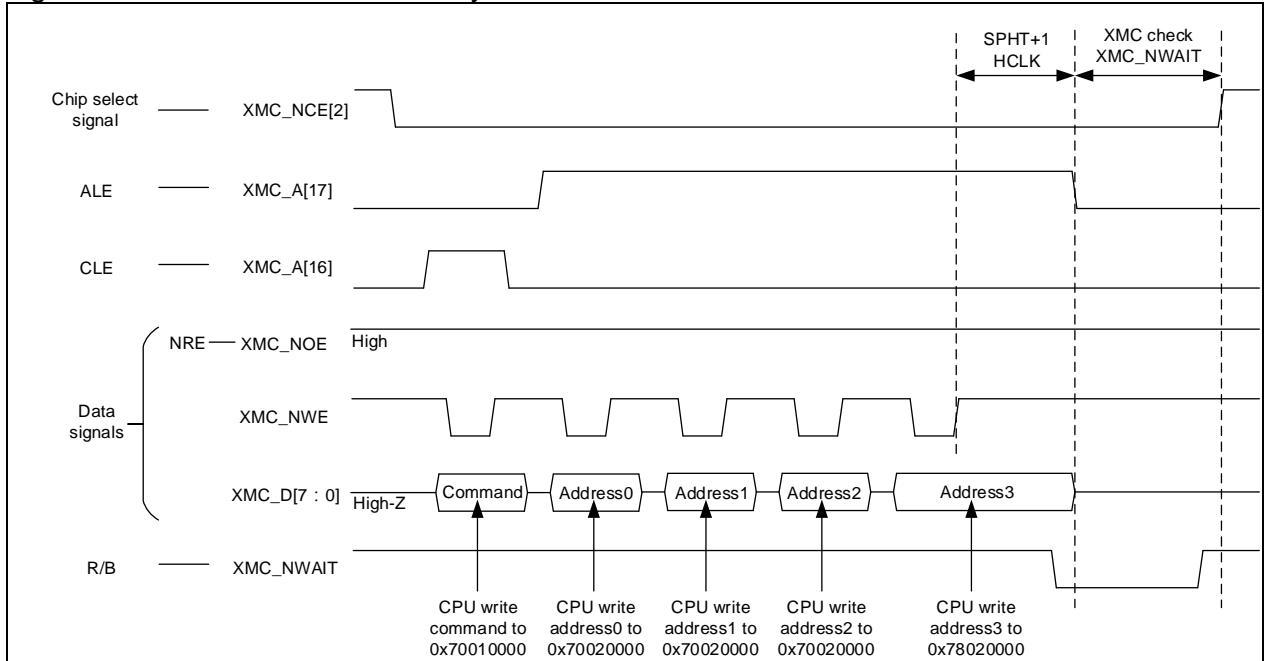


When the NWEN bit is enabled, the XMC will monitor whether the XMC_NWAIT signal is pulled low or not at the end of memory hold-up period, if so, it will keep the XMC_NCE[2] low until the XMC_NWAIT goes high.

Some NAND Flash devices require that, after receiving the last address byte, that the XMC_NCE[2] remains low until it enters ready state. This can be done by means of a special timing register and NWEN bits:

The user has to configure the time duration during which the NAND Flash shifts from the rising edge of the XMC_NWE to the falling edge of the XMC_NWAIT into a SPHT register, and write the last address byte into a special memory address section so that the XMC can perform write operations based on the timings of the special memory timing register, as shown in Address 3 in Figure 22-20.

Figure 22-20 NAND wait functionality



22.5.3 ECC computation

The NAND interface contains ECC computation module so that the data will be used for ECC computation when the NAND interface access the NAND Flash. The computed value is stored into the XMC_BK2ECC register.

To perform an ECC computation:

1. Configure the ECCPGS bit to select the number of bytes to be computed by ECC module: 256, 512, 1024, 2048, 4096 or 8192 bytes.
2. Enable the ECCEN bit.
3. Read/write from and to the data section.
4. After receiving/sending the same number of bytes as the value programmed in the ECCPGS, the XMC will store the ECC computed value into the XMC_BK2ECC registers.
5. Software reads/write the last byte and waits until the FIFO flag is set.
6. Software reads the XMC_BK2ECC register and performs the corresponding error correction routine.
7. Clear the ECCEN bit by software. Repeat from 2 to 6.

Table 22-31 lists the ECC result bits corresponding to the number of bytes

ECCPGS	000	001	010	011	100	101
Number of bytes	256	512	1024	2048	4096	8192
ECC result bits	ECC[21:0]	ECC[23:0]	ECC[25:0]	ECC[27:0]	ECC[29:0]	ECC[31:0]

22.6 XMC registers

These peripheral registers must be accessed by words (32 bits).

Table 22-32 XMC register address mapping

Register	Offset	Reset value
XMC_BK1CTRL1	0x000	0x0000 30DB
XMC_BK1TMG1	0x004	0x0FFF FFFF
XMC_BK1CTRL4	0x018	0x0000 30D2
XMC_BK1TMG4	0x01C	0x0FFF FFFF
XMC_BK2CTRL	0x060	0x0000 0018
XMC_BK2IS	0x064	0x0000 0040

XMC_BK2TMGRG	0x068	0xFCFC FCFC
XMC_BK2TMGSP	0x06C	0xFCFC FCFC
XMC_BK2ECC	0x074	0x0000 0000
XMC_BK1TMGWR1	0x104	0x0FFF FFFF
XMC_BK1TMGWR4	0x11C	0x0FFF FFFF
XMC_EXT1	0x220	0x0000 0808
XMC_EXT4	0x22C	0x0000 0808

22.6.1 NOR Flash and PSRAM control registers

22.6.1.1 SRAM/NOR Flash chip select control register 1 (XMC_BK1CTRL1)

Bit	Register	Reset value	Type	Description
Bit 31: 20	Reserved	0x000	resd	Kept at its default value.
Bit 19	MWMC	0x0	rw	Memory write mode control 0: Write operations are performed in asynchronous mode 1: Write operations are performed in synchronous mode
Bit 18: 16	CRPGS	0x0	rw	CRAM page size Cellular RAM 1.5 does not allow synchronous access to cross the address boundaries between pages. When these bits are configured in synchronous mode, the XMC will automatically split the access when the page size is reached. 000: No split access when crossing address boundary (default value) 001: 128 bytes 010: 256 bytes 011: 512 bytes 100: 1024 bytes Others: Reserved.
Bit 15	NWASEN	0x0	rw	NWAIT in asynchronous transfer enable 0: NWAIT signal is disabled 1: NWAIT signal is enable
Bit 14	RWTD	0x0	rw	Read-write timing different Different timings are used for read and write operations, that is, the XMC_BK1TMGWR register is enabled. 0: Same timings for read and write operations 1: Different timings for read and write operations
Bit 13	NWSEN	0x1	rw	NWAIT enable during synchronous transfer 0: NWAIT signal is disabled 1: NWAIT signal is enabled
Bit 12	WEN	0x1	rw	Write enable 0: Disabled 1: Enabled
Bit 11	NWTCFG	0x0	rw	NWAIT timing configuration It is valid only in synchronous mode. 0: NWAIT signal is active one data cycle before the wait state 1: NWAIT signal is active one data cycle during the wait state
Bit 10	WRAPEN	0x0	rw	Wrapped enable This bit defines whether the XMC will split a wrapped AHB

				access into two accesses. 0: Direct wrapped access is not allowed 1: Direct wrapped access is allowed
Bit 9	NWPOL	0x0	rw	NWAIT polarity This bit defines the polarity of the NWAIT signal in synchronous mode. 0: NWAIT active low 1: NWAIT active high
Bit 8	SYNCBEN	0x0	rw	Synchronous burst enable This bit allows synchronous access to Flash memories. 0: Synchronous burst disabled 1: Synchronous burst enabled
Bit 7	Reserved	0x1	resd	Kept at its default value.
Bit 6	NOREN	0x1	rw	Nor flash access enable 0: Nor flash access is disabled 1: Nor flash access is enabled
Bit 5: 4	EXTMDBW	0x1	rw	External memory data bus width This field defines the external memory data bus width. 00: 8 bits 01: 16 bits 10: Reserved 11: Reserved
Bit 3: 2	DEV	0x2	rw	Memory device type 00: SRAM/ROM 01: PSRAM (Cellular RAM or CRAM) 10: NOR Flash 11: Reserved
Bit 1	ADMUXEN	0x1	rw	Address/data multiplexing enable 0: Address/data not multiplexed 1: Address/data multiplexed
Bit 0	EN	0x1	rw	Memory bank enable 0: Memory bank disabled 1: Memory bank enabled

22.6.1.2 SRAM/NOR Flash chip select control register 4 (XMC_BK1CTRL4)

Bit	Register	Reset value	Type	Description
Bit 31: 20	Reserved	0x000	resd	Kept at its default value.
Bit 19	MWMC	0x0	rw	Memory write mode control 0: Write operations are performed in asynchronous mode 1: Write operations are performed in synchronous mode
Bit 18: 16	CRPGS	0x0	rw	CRAM page size Cellular RAM 1.5 does not allow synchronous access to cross the address boundaries between pages. When these bits are configured in synchronous mode, the XMC will automatically split the access when the page size is reached. 000: No split access when crossing address boundary (default value) 001: 128 bytes 010: 256 bytes 011: 512 bytes 100: 1024 bytes

				Others: Reserved.
Bit 15	NWASEN	0x0	rw	NWAIT enable during asynchronous transfer 0: NWAIT signal is disabled 1: NWAIT signal is enable
Bit 14	RWTD	0x0	rw	Read-write timing different Different timings are used for read and write operations, that is, the XMC_BK1TMGWR register is enabled. 0: Same timings for read and write operations 1: Different timings for read and write operations
Bit 13	NWSEN	0x1	rw	NWAIT enable during synchronous transfer 0: NWAIT signal is disabled 1: NWAIT signal is enabled
Bit 12	WEN	0x1	rw	Write enable 0: Disabled 1: Enabled
Bit 11	NWTCFG	0x0	rw	NWAIT timing configuration It is valid only in synchronous mode. 0: NWAIT signal is active one data cycle before the wait state 1: NWAIT signal is active one data cycle during the wait state
Bit 10	WRAPEN	0x0	rw	Wrapped enable This bit defines whether the XMC will split a wrapped AHB access into two accesses. 0: Direct wrapped access is not allowed 1: Direct wrapped access is allowed
Bit 9	NWPOL	0x0	rw	NWAIT polarity This bit defines the polarity of the NWAIT signal in synchronous mode. 0: NWAIT active low 1: NWAIT active high
Bit 8	SYNCBEN	0x0	rw	Synchronous burst enable This bit allows synchronous access to Flash memories. 0: Synchronous burst disabled 1: Synchronous burst enabled
Bit 7	Reserved	0x1	resd	Kept at its default value.
Bit 6	NOREN	0x1	rw	Nor flash access enable 0: Nor flash access is disabled 1: Nor flash access is enabled
Bit 5: 4	EXTMDBW	0x1	rw	External memory data bus width This field defines the external memory data bus width. 00: 8 bits 01: 16 bits 10: Reserved 11: Reserved
Bit 3: 2	DEV	0x0	rw	Memory device type 00: SRAM/ROM 01: PSRAM (Cellular RAM or CRAM) 10: NOR Flash 11: Reserved
Bit 1	ADMUXEN	0x1	rw	Address/data multiplexing enable 0: Address/data not multiplexed 1: Address/data multiplexed

Bit 0	EN	0x0	rw	Memory bank enable 0: Memory bank disabled 1: Memory bank enabled
-------	----	-----	----	---

22.6.1.3 SRAM/NOR Flash chip select timing register 1, 4 (XMC_BK1CTRL1, 4)

Bit	Register	Reset value	Type	Description
Bit 31: 30	Reserved	0x0	resd	Kept at its default value.
Bit 29: 28	ASYNCM	0x0	rw	Asynchronous mode This field is valid only when the RWTD bit is enabled. 00: Mode A 01: Mode B 10: Mode C 11: Mode D
Bit 27: 24	DTLAT	0xF	rw	Data latency This field is valid only in synchronous mode. 0000: 0 XMC_CLK cycle is inserted 0001: 1 additional XMC_CLK cycle is inserted 1111: 15 additional XMC_CLK cycles are inserted
Bit 23: 20	CLKPSC	0xF	rw	Clock prescaler This field is valid only in synchronous mode. It defines the frequency of the XMC_CLK clock. 0000: Reserved 0001: XMC_CLK cycle= 2 x HCLK clock cycles 0010: XMC_CLK cycle =3 x HCLK clock cycles 1111: XMC_CLK cycle = 6 x HCLK cycles
Bit 19: 16	BUSLAT	0xF	rw	Bus latency To avoid data bus conflict, a latency is inserted on the data bus if one read operation is followed by writing XMC in multiplexed or synchronous mode. 0000: 1 HCLK cycle is inserted 0001: 2 HCLK cycles are inserted 1111: 16 HCLK cycles are inserted
Bit 15: 8	DTST	0xFF	rw	Data setup time 0000: 0 HCLK cycle is inserted 0001: 1 additional HCLK cycle is inserted 1111: 15 additional HCLK cycles are inserted
Bit 7: 4	ADDRHT	0xF	rw	Address-hold time 0000: 0 HCLK cycle is inserted 0001: 1 additional HCLK cycle is inserted 1111: 15 additional HCLK cycles are inserted
Bit 3: 0	ADDRST	0xF	rw	Address setup time 0000: 0 HCLK cycle is inserted 0001: 1 additional HCLK cycle is inserted 1111: 15 additional HCLK cycles are inserted

22.6.1.4 SRAM/NOR Flash write timing register 1, 4 (XMC_BK1 TMGWR1, 4)

Bit	Register	Reset value	Type	Description
Bit 31: 30	Reserved	0x0	resd	Kept at its default value.
Bit 29: 28	ASYNCM	0x0	rw	Asynchronous mode This field is valid only when the RWTD bit is enabled. 00: Mode A 01: Mode B 10: Mode C 11: Mode D
Bit 27: 20	Reserved	0xFF	resd	Kept at its default value.
Bit 19: 16	BUSLAT	0xF	rw	Bus latency To avoid data bus conflict, a latency is inserted on the data bus if write operatin is followed by reading XMC in multiplexed or synchronous mode. 0000: 1 HCLK cycle is inserted 0001: 2 HCLK cycles are inserted 1111: 16 HCLK cycles are inserted
Bit 15: 8	DTST	0xFF	rw	Data setup time 0000: 0 HCLK cycle is inserted 0001: 1 additional HCLK cycle is inserted 1111: 15 additional HCLK cycles are inserted
Bit 7: 4	ADDRHT	0xF	rw	Address-hold time 0000: 0 HCLK cycle is inserted 0001: 1 additional HCLK cycle is inserted 1111: 15 additional HCLK cycles are inserted
Bit 3: 0	ADDRST	0xF	rw	Address setup time 0000: 0 HCLK cycle is inserted 0001: 1 additional HCLK cycle is inserted 1111: 15 additional HCLK cycles are inserted

22.6.1.5 SRAM/NOR Flash extra timing register 1, 4 (XMC_EXT1, 4)

Bit	Register	Reset value	Type	Description
Bit 31: 16	Reserved	0x0000	resd	Kept at its default value.
Bit 15: 8	BUSLATR2R	0x08	rw	Bus turnaround phase for consecutive read duration This field is used to define the bus turnaround phase duration for consecutive read operations. A delay is inserted bwteen two consecutive operations in order to avoid bus conflicts. 00000000: 1 HCLK cycle is inserted for consecutive read operations 00000001: 2 HCLK cycles are inserted for consecutive read operations 00001000: 9 HCLK cycles are inserted for consecutive read operations (default value) 11111111: 256 HCLK cycles are inserted for consecutive read operations
Bit 7: 0	BUSLATW2W	0x08	rw	Bus turnaround phase for consecutive write duration This field is used to define the bus turnaround phase

duration for consecutive write operations. A delay is inserted between two consecutive write operations in order to avoid bus conflicts.

00000000: 1 HCLK cycle is inserted for consecutive write operations

00000001: 2 HCLK cycles are inserted for consecutive write operations

.....

00001000: 9 HCLK cycles are inserted for consecutive write operations (default value)

.....

11111111: 256 HCLK cycles are inserted for consecutive write operations

22.6.2 NAND Flash control registers

22.6.2.1 NAND Flash control register 2 (XMC_BK2CTRL)

Bit	Register	Reset value	Type	Description
Bit 31: 20	Reserved	0x000	resd	Kept at its default value.
				ECC page size
				000: 256 bytes
				001: 512 bytes
Bit 19: 17	ECCPGS	0x0	rw	010: 1024 bytes
				011: 2048 bytes
				100: 4096 bytes
				101: 8192 bytes
				ALE to RE delay
				This field specifies the delay from the falling edge of the ALE to that of the RE.
Bit 16: 13	TAR	0x0	rw	0000: 1 HCLK cycle
			
				1111: 16 HCLK cycles
				CLE to RE delay
				This field specifies the delay from the falling edge of the CLE to that of the RE.
Bit 12: 9	TCR	0x0	rw	0000: 1 HCLK cycle
			
				1111: 16 HCLK cycles
Bit 8: 7	Reserved	0x0	resd	Kept at its default value.
				ECC enable
Bit 6	ECCEN	0x0	rw	0: ECC disabled
				1: ECC enabled
				External memory data bus width
				This field specifies the external NAND Flash width.
Bit 5: 4	EXTMDBW	0x1	rw	00: 8 bits
				01: 16 bits
				10: Reserved
				11: Reserved
				Memory device type
Bit 3	DEV	0x1	rw	0: Reserved
				1: NAND Flash
				Memory bank enable
Bit 2	EN	0x0	rw	0: Memory bank disabled
				1: Memory bank enabled
Bit 1	NWEN:	0x0	rw	Wait feature enable

				his bit is used to enable NAND Flash wait function. 0: Disabled 1: Enabled
Bit 0	Reserved	0x0	resd	Kept at its default value.

22.6.2.2 Interrupt enable and FIFO status register 2 (XMC_BK2IS)

Bit	Register	Reset value	Type	Description
Bit 31: 7	Reserved	0x000000	resd	Kept at its default value.
Bit 6	FIFOE	0x1	rw	FIFO empty This bit is set by hardware when the FIFO is empty. 0: FIFO is not empty 1: FIFO is empty XMC FIFO size is 16 words. It is used to store the data from AHB.
Bit 5	FEIEN	0x0	rw	Falling edge interrupt enable 0: Falling edge interrupt disabled 1: Falling edge interrupt enabled
Bit 4	HLIEN	0x0	rw	High-level interrupt enable 0: High-level interrupt disabled 1: High-level interrupt enabled
Bit 3	REIEN	0x0	rw	Rising edge interrupt enable 0: Rising edge interrupt disabled 1: Rising edge interrupt enabled
Bit 2	FES	0x0	rw	Falling edge status This bit is set by hardware and cleared by software. 0: No falling edge interrupt generated 1: Falling edge interrupt generated
Bit 1	HLS	0x0	rw	High-level status This bit is set by hardware and cleared by software. 0: No high level interrupt generated 1: High level interrupt generated
Bit 0	RES	0x0	rw	Rising edge status This bit is set by hardware and cleared by software. 0: No rising edge interrupt generated 1: Rising edge interrupt generated

22.6.2.3 Regular memory timing register 2 (XMC_BK2TMGRG)

Bit	Register	Reset value	Type	Description
Bit 31: 24	RGDHIZT	0xFC	rw	Regular memory databus High resistance time This field defines the databus high resistance duration when write access to NAND Flash is started in a regular space. 00000000: 0 HCLK cycle is inserted 00000001: 1 additional HCLK cycle is inserted 11111111: 255 additional HCLK cycles are inserted
Bit 23: 16	RGHT	0xFC	rw	Regular memory hold time This field defines the databus hold time when access to NAND Flash in a regular memory. 00000000: Reserved 00000001: 1 HCLK cycle is inserted 11111111: 255 HCLK cycles are inserted
Bit 15: 8	RGWT	0xFC	rw	Regular memory wait time

				Specifies the regular memory wait time when the XMC_NWE and XMC_NOE is low. 00000000: 0 HCLK cycle is inserted 00000001: 1 additional HCLK cycle is inserted 11111111: 255 additional HCLK cycles are inserted
Bit 7: 0	RGST	0xFC	rw	Regular memory setup time This field defines the address setup time when access to NAND Flash in a regular memory. 00000000: 0 HCLK cycle is inserted 00000001: 1 additional HCLK cycle is inserted 11111111: 255 additional HCLK cycles are inserted

22.6.2.4 Special memory timing register 2 (XMC_BK2TMGSP)

Bit	Register	Reset value	Type	Description
Bit 31: 24	SPDHIZT	0xFC	rw	Special memory databus High resistance time This field defines the databus high resistance duration when write access to NAND Flash is started in a special space. 00000000: 0 HCLK cycle is inserted 00000001: 1 additional HCLK cycle is inserted 11111111: 255 additional HCLK cycles are inserted
Bit 23: 16	SPHT	0xFC	rw	Special memory hold time This field defines the databus hold time when access to NAND Flash in a special memory. 00000000: Reserved 00000001: 1 HCLK cycle is inserted 11111111: 255 HCLK cycles are inserted
Bit 15: 8	SPWT	0xFC	rw	Special memory wait time Specifies the special memory wait time when the XMC_NWE and XMC_NOE is low. 00000000: 0 HCLK cycle is inserted 00000001: 1 additional HCLK cycle is inserted 11111111: 255 additional HCLK cycles are inserted
Bit 7: 0	SPST	0xFC	rw	Special memory setup time This field defines the address setup time when access to NAND Flash in a special memory. 00000000: 0 HCLK cycle is inserted 00000001: 1 additional HCLK cycle is inserted 11111111: 255 additional HCLK cycles are inserted

22.6.2.5 ECC value register 2 (XMC_BK2ECC)

Bit	Register	Reset value	Type	Description
Bit 31: 0	ECC	0x0000 0000	ro	EECC value This field contains the computed ECC value.

23 SDIO interface

23.1 SDIO introduction

The SD/SDIO MMC card host interface (SDIO) provides an interface between the AHB peripheral bus and MultiMediaCards (MMC), SD memory cards and SDIO cards.

SD memory card and SDIO card system specifications are available through the SD card association website www.sdcard.org.

The MultiMediaCard system specifications published by the MMCA technical committee are available through the MultiMediaCard association website www.mmca.org.

23.2 SDIO main features

- Full compatibility with SD memory card specifications version 2.0
- Full compatibility with SDIO card specification version 2.0 and support 1-bit and 4-bit databus modes.
- Full compatibility with MultiMedia card specification version 4.2 and support 1-bit, 4-bit and 8-bit databus modes.
- Full compatibility with previous versions of MultiMedia card specifications
- DMA transfer
- Data transfer up to 50 MHz in 8-bit bus mode
- Interrupt requests

Note: The SDIO is not compatible with SPI communication mode. It supports only one SD/SDIO/MMC 4.2 card at any one time.

Communication on the bus is based on command and data transfers.

- Command: A command is a token that starts an operation. Commands are sent from the host either to a single card (addressed command) or to all connected cards (broadcast command). Commands are transferred serially on the CMD line.
- Response: A response is a token that is sent from a card to the host as an answer to a previously received command. Responses are transferred serially on the CMD line.
- Data: Data can be transferred from the card to the host or vice versa. Data is transferred via the SDIO_D data line.

The basic operation on the MMC card/SD/SDIO I/O bus is the command/response structure. These types of bus operation transfer their information through the command or bus mechanism. In addition, some operations have a data token.

Data transfers to/from SD/SDIO memory cards are done in data blocks. Data blocks are always followed by CRC bit, defining single and multiple block operations. Data transfers to/from MMC are done in data blocks or streams, as shown in Figure below.

Figure 23-1 SDIO “no response” and “no data” operations

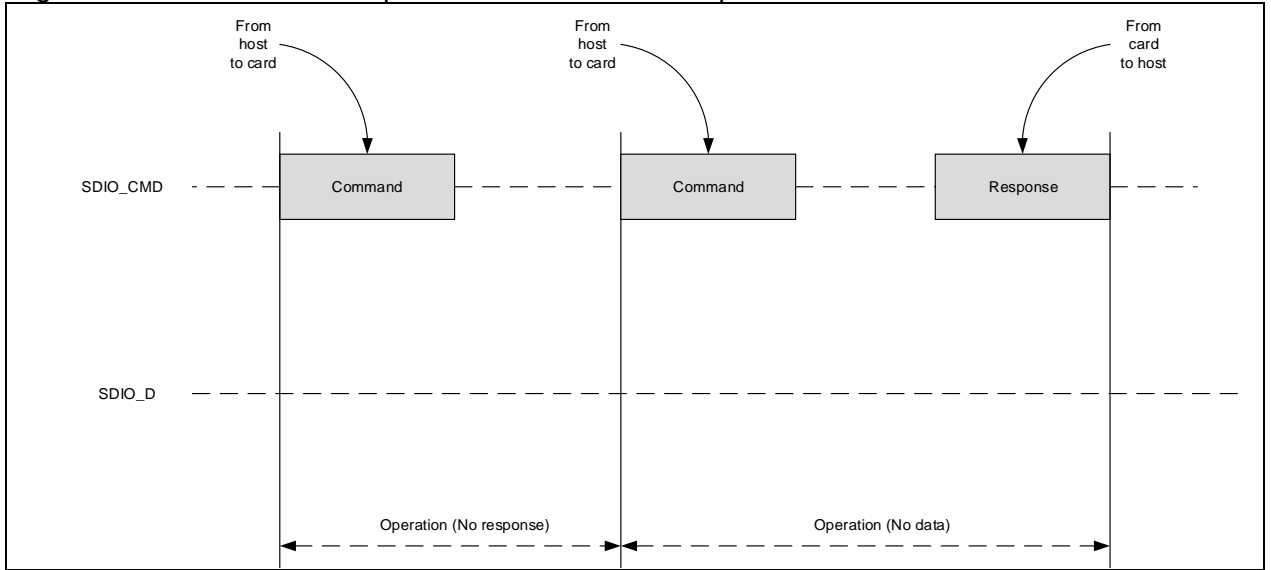


Figure 23-2 SDIO multiple block read operation

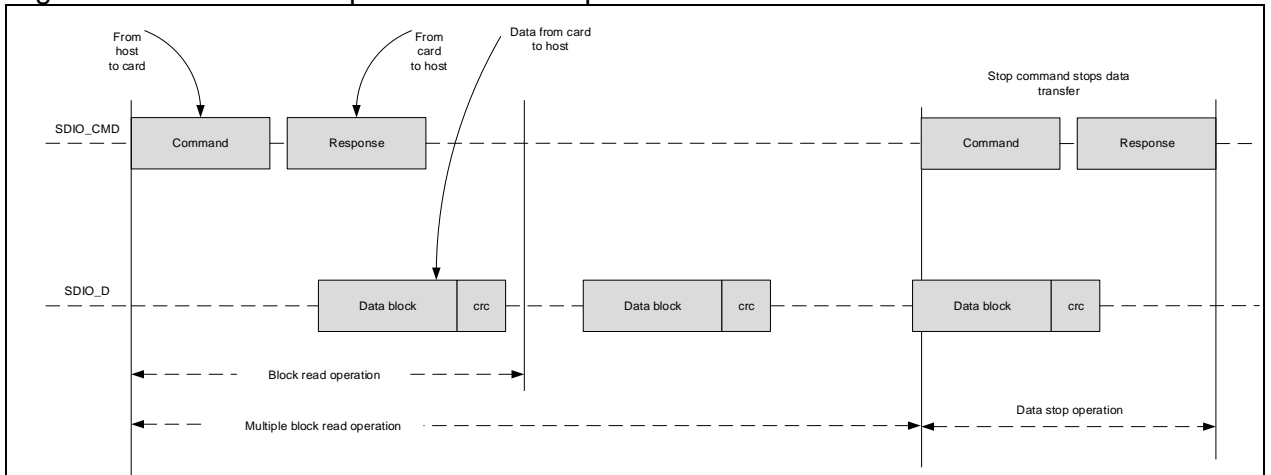
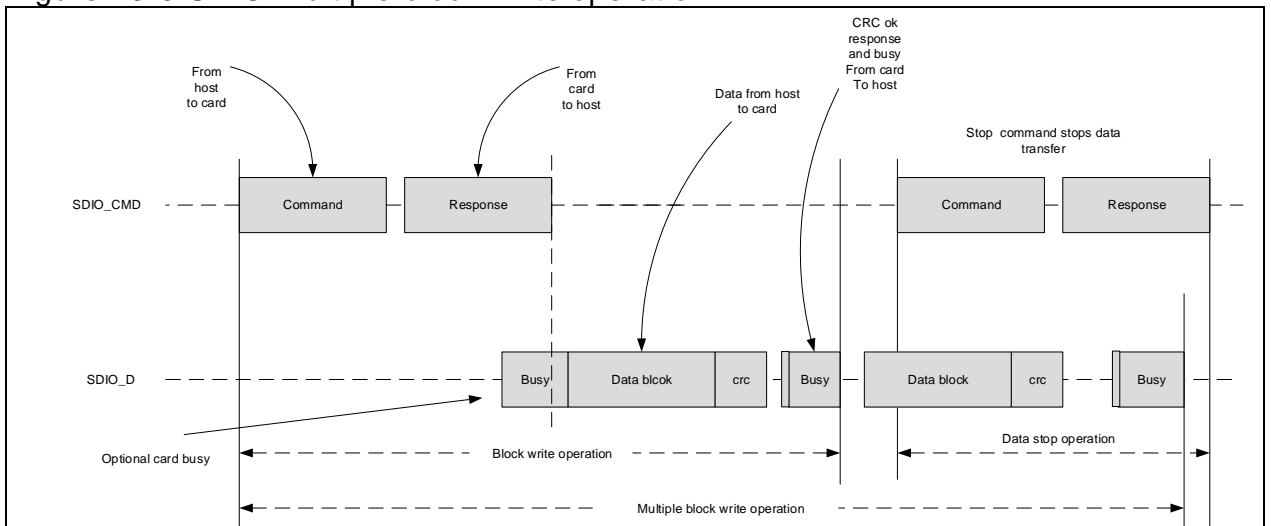


Figure 23-3 SDIO multiple block write operation



Note: The SDIO will not send any data as long as the Busy signal is set (SDIO_D0 pulled low).

Figure 23-4 SDIO sequential read operation

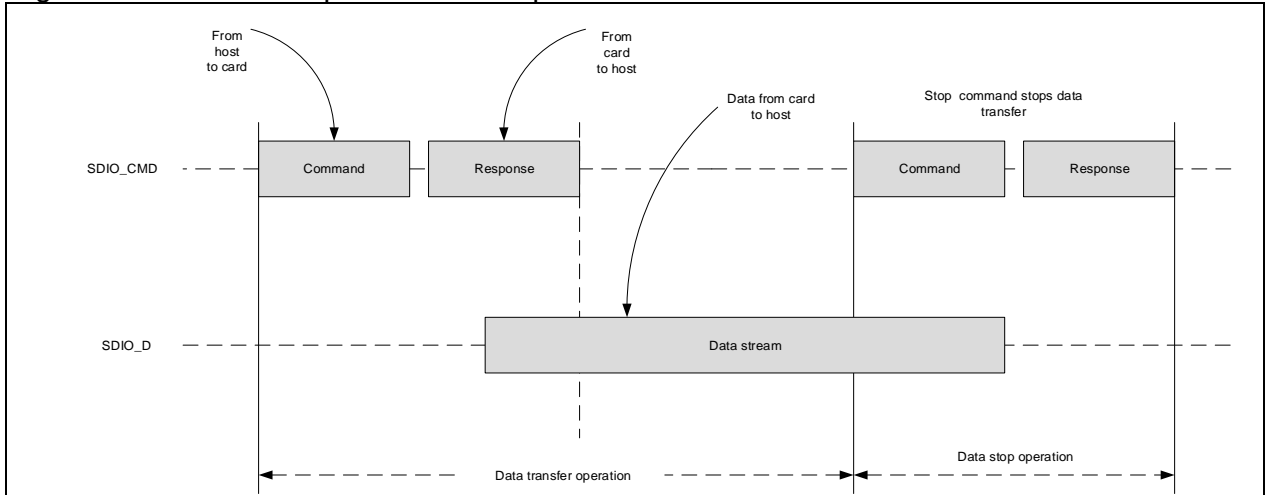
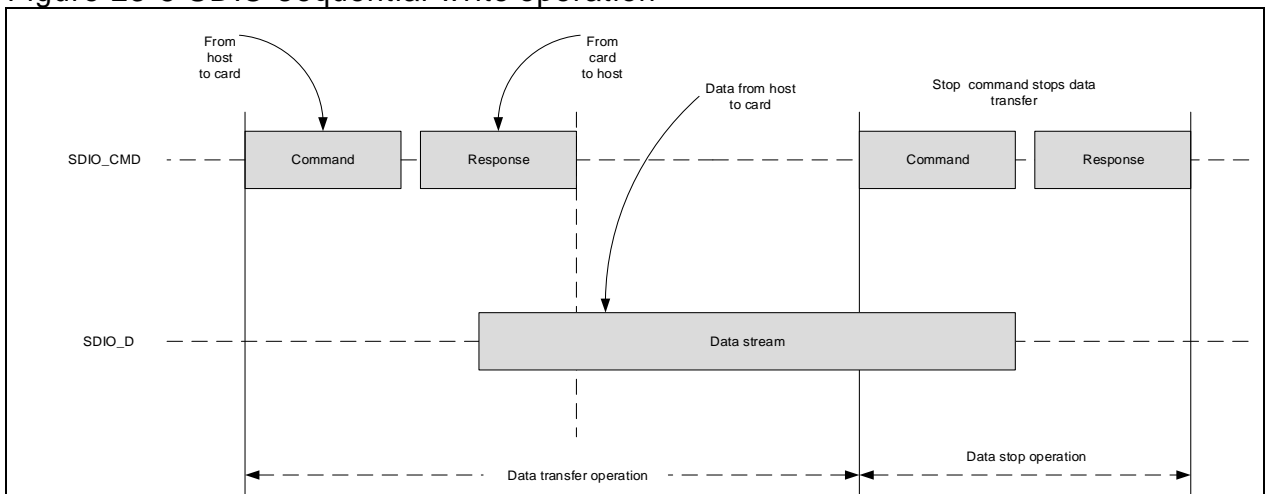


Figure 23-5 SDIO sequential write operation



23.3 SDIO main features

23.3.1 Card functional description

All the communications between the host and the cards are controlled by the card. The host sends two different types of commands: broadcast command and addressed (point-to-point) command.

- Broadcast command: applicable to all cards, some need responses
- Addressed command: sent to the addressed card, and responses received from the card

Memory card defines two types of operational modes:

- Card identification mode
- Data transfer mode

23.3.1.1 Card identification mode

In card identification mode, the host resets all cards, validates the operation voltage range, identifies cards and sets a relative card address (RCA) for each card on the CMD. All communications in the card identification mode use the command line (CMD).

Card identification process

The card identification process varies from card to card, and the host sends different commands. There are SD, SDI/O and MMC cards. It is possible to send a CMD5 command to identify the type of a card. If the host receives a response, it is a SDI/O card. If no response is received, the host will continue to send ACMD41 command, if a response is received, it is a SD card, otherwise a MMC card.

The card identification process is described as follows:

1. The bus is activated to confirm whether the card is connected or not. The clock frequency is at 0-400kHz during the card identification process.
2. The SDIO host sends a SD card, SDIO card or MMC card.
3. Card Initialization
 - SD card: The SDIO host sends CMD2 (ALL_SEND_CID) to obtain its unique CID number. After receiving a response (CID number) from the card, the host will send CMD3 (SEND_RELATIVE_ADDR), instructing the card to issue the relative card address (RCA), which is shorter than the CID and is used to address the card in the data transfer mode.
 - SDIO card: The SDIO host sends CMD3 (SEND_RELATIVE_ADDR) to instruct the card to release the relative card address (RCA), which is shorter than the CID and is used to address the card in the data transfer mode.
 - MMC card: The SDIO host sends CMD1 (SEND_OP_COND), followed by CMD2 and CMD3.
4. If the host wants to assign another RCA number, it can instruct the card to issue a new number by sending another CMD3 command. The last RCA is the actual RCA number of the card. The host repeats the card identification process (CMD2 and CMD3 cycle of each card)

23.3.1.2 Data transfer mode

The host will enter data transfer mode after identifying all cards on the bus. In data transfer mode, the host can operate cards within the range of 0 - 50MHz. It can send CMD9 (SEND_CSD) to get data specific to a card (CSD register) such as block length and car memory size. All communications between the host and the selected card are point-to-point transferred, and the CMD bus will confirm all addressed commands as a response. Data transfer read/write can be done in data block mode or stream mode, configured by the TFRMODE bit in the SDIO_DTCTRL register. In the data stream mode, data is transferred in bytes and without CRC appended to the end of each data block.

Wide bus selection/deselection

Wide bus (4-bit bus width) operation mode is selected or deselected by using ACMD6 (SET_BUS_WIDTH). The default bus width after power-up or CMD0 (GO_IDLE_STATE) is 1 bit. The ACMD6 is only valid in a transfer state, indicating that the bus width can be changed only after a card is selected by CMD7.

Stream read/write (MultiMedia card only)

Read:

1. The host sends CMD11 (READ_DAT_UNTIL_STOP) for stream read.
2. Until the host sends CMD12 (STOP_TRANSMISSION). The stop command has an execution delay due to the serial command transmission and the data transfers stops after the end bit of the the stop command.

Write:

1. The host sends CMD20 (WRITE_DAT_UNTIL_STOP) for stream write.
2. Until the host sends CMD12 (STOP_TRANSMISSION). As the amount of data to be transferred is not determined in advance, the CRC cannot be used. When the memory range is reached, the command will be discarded by the card and remain in a transfer state, and a respons is issued by setting the ADDRESS_OUT_OF_RANGE bit.

Data block read

In block read mode, the basic unit of data transfer is a block whose maximum size (fixed length 512 bytes) is defined in the CSD (READ_BL_LEN). If the READ_BL_PARTIAL is set, smaller blocks whose start and end addresses are entirely contained within 512 bytes may also be transmitted. A CRC is appended to the end of each block to ensuring data transfer integrity. Several commands related to data block read are as follows:

- CMD17 (READ_SINGLE_BLOCK): initiates a data block read and returns to the transfer state after the completion of the transfer.
- CMD18 (READ_MULTIPLE_BLOCK): starts a transfer of several consecutive data blocks.

Data blocks will keep transferring until the host sends CMD12(STOP_TRANSMISSION). The stop command has an execution delay due to the serial command transmission and the data transfers stops after the end bit of the the stop command.

Data block write

During block write (CMD24-27), one or more blocks of data are transferred from the host to the card with a CRC appended to the end of each block. If the CRC failed, the card indicates a failure on the SDIO_D signal line and the transferred data are discarded and not written, and all transmitted data blocks are ignored.

If the host uses partial blocks with accumulated length is not block aligned, and block misalignment is not allowed (CSD parameter WRITE_BLK_MISALIGN is not set), the card will detect the block misalignment error before the beginning of the first misaligned block. The card sets the ADDRESS_ERROR bit in the SDIO_STS register and waits the stop command in a receive state while ignoring all further data transfer. If the host attempts to perform write operation on a write-protected area, the write operation will be aborted. In this case, however, the card should set the WP_VIOLATION bit.

Programming of the CID and CSD registers does not require a block length setting in advance. The transferred data is also CRC protected. If a part of the CSD or CID register is stored in the ROM, then the unchangeable part must match the corresponding part of the receive buffer. If this match failed, then the card will report an error and does not change any register contents. Some cards may require long and unpredictable times to write a block of data. After receiving a block of data and completing the CRC check, the card begins writing and holds the SDIO_D signal line low if its write buffer is full and unable to accept new data from a new WRITE_BLOCK command. The host can check the status of the card with SEND_STATUS command (CMD13) at any time, and the card will respond with its status.

The READY_FOR_DATA status bit indicates whether the car can accept new data or whether the write process is still in progress. The host can deselect the card by issuing CMD7 (select another card), which will place the card in the disconnect state and release the SDIO_D line without interrupting the write operation. when reselecting the card, it will reactivate busy indication by pulling SDIO_D line to low if the programming is still in progress and the write buffer is unavailable.

23.3.1.3 Erase

The erasable unit of the MultiMedia card and SD card is the erase group. The erase group is calculated in write blocks, which are the basic writeable units of the card. The size of the erase group is a parameter specific to the card and defined in the CSD.

The host can erase a contiguous range of erase groups. There are three steps to start the erase process, but the commands sent by the MultiMedia card and SD card are different.

1. The host defines the start address of the range using the following command:
 - SD card: issue CMD32 (ERASE_WR_BLK_START)
 - MMC car: issue CMD35 (ERASE_GROUP_START)
2. The host defines the end address of the rang using the following command:
 - SD card: issue CMD33 (ERASE_WR_BLK_END)
 - MMD car: issue CMD36 (ERASE_GROUP_END)
3. The host starts the erase process by sending CMD38 (ERASE)

23.3.1.4 Protection management

Three write protection methods are supported in the SDIO card host module to ensure that the protected data is not erased or changed.

Mechanical write protect switch

There is a mechanical sliding switch on the side of the card to allow the user to set/clear the write protection on the card. When the sliding switch is positioned with the window open, the card is write-protected, and when the window is closed, the card is not write-protected.

Internal card write protection

Card data can be protected against write and erase. The entire card can be permanently write-protected by the manufacturer or the content provider by setting the permanent or temporary write-protect bits in the CSD. For cards that support write protection of groups of sectors by setting the WP_GRP_ENABLE

bit in the CSD, part of the data can be protected, and the write protection can be changed by the application. The SET_WRITE_PROT commands set the write protection of the addressed group. The CLR_WRITE_PROT commands clear the write protection of the addressed group. The SEND_WRITE_PROT command is similar to a single block read command. The card sends a data block containing 32 write protection bits (representing 32 write protect groups starting at the specified address) followed by 16 CRC bits. The address filed in the write protect commands is a group address in byte units.

Password protect

The password protection function enables the SDIO card host to lock and unlock a card with a password. The password is stored in the 128-bit PWD register and its size is set in the 8-bit PWD_LEN register. These registers are nonvolatile so that the content is not erased after power-off.

Locked cards can support certain commands, indicating that the host is allowed to reset, initialize and query for status, but not allowed to access data on the card. When the password is set (PWD_LEN is nonzero value), the card is locked automatically after power-up.

Like the CSD and CID register write commands, the lock/unlock commands are valid only in a transfer state. The command does not include an address parameter and thus the card must be selected before using it.

The card lock/unlock commands have the structure and bus transaction types of a regular single-block write command. The transferred data block include all the information required for the command (the password setting mode, PWD content and card lock/unlock indication). The command data block size is defined by the SDIO card host module before it sends the card lock/unlock command. The lock/unlock command structure is shown below:

Table 23-1 Lock/unlock command structure

Byte	Bit7	Bit6	Bit5	Bit4	Bit3	Bit2	Bit1	Bit0
0	Reserved(set to 0)				ERASE	LOCK_UNLOCK	CLR_PWD	SET_PWD
1	PWDS_LEN							
2	password data							
...								
PWDS_LEN+1								

- ERASE: Setting it will force an erase operation. All other bits must be zero, and only the command byte is sent.
- LOCK_UNLOCK: Setting it will lock the card. Clearing it will unlock the card. LOCK_UNLOCK can be set simultaneously with SET_PWD, but not with the CLR_PWD.
- CLR_PWD: Setting it will clear the password data.
- SET_PWD: Setting this bit will save the password data to memory.
- PWD_LEN: This bit defines the length of the password in bytes. When the password is changed, the length is the combination of the old and new passwords.
- PWD: password (new or currently used, depending on the command)

The data block size should be defined by the host before it sends the card lock/unlock command. The block length should be equal to or greater than the data structure required for the lock/unlock command. The following sections list the command sequence to set/clear a password, lock/unlock a card, and force an erase operation.

Setting the password

1. Select a card using CMD7 (SELECT/DESELECT_CARD), if none is selected previously
2. Define the block length with CMD16(SET_BLOCKLEN) to send in the 8-bit card lock/unlock mode, 8-bit PWD_LEN, and the number of bytes of the new password. When a password is replaced, the block size must take into account the length of both the old and the new passwords sent with the command.
3. Send CMD42(LOCK/UNLOCK) with the appropriate data block size on the data line including the 16-bit CRC. The data block indicates the operation mode (SET_PWD=1), the length (PWD_LEN) and the password (PWD). When a password replacement is done, the length value includes the length of the both passwords, the old and the new one, and the PWD field includes the old password (currently used) followed by the new password.

4. When the old password is matched, the new password and its size are saved into the PWD and PWD_LEN fields, respectively. When the old password sent is not correct (in size and/or content), the LOCK_UNLOCK_FAILED error bit is set in the SDIO_STS register, and the old password is not changed. When the old password sent is correct (in size and content), the given new password and its size will be saved in the PWD and the PWD_LEN registers, respectively.

The password length field (PWD_LEN) indicates whether a password is currently set or not. When the field is a zero value, it means that a password is not set currently. When the field is nonzero, it means that a password is set and the card locks itself after power-up. It is possible to lock the card immediately in the current power session by setting the LOCK_UNLOCK bit or sending an additional card lock command.

Clearing the password

1. Select a card using CMD7 (SELECT/DESELECT_CARD), if none is selected previously.
2. Define the block length with CMD16(SET_BLOCKLEN) to send in the 8-bit card lock/unlock mode, 8-bit PWD_LEN, and the number of bytes of the new password.
3. Send CMD42(LOCK/UNLOCK) with the appropriate data block size on the data line including the 16-bit CRC. The data block indicates the operation mode (SET_PWD=1), the length (PWD_LEN) and the password (PWD). When a password is matched, the PWD field is cleared and PWD_LEN is set to 0. If the password sent does not correspond to the expected password (in size and/or content), the LOCK_UNLOCK_FAILED error bit is set in the SDIO_STS register, and the password is not changed.

Locking a card

1. Select a card using CMD7 (SELECT/DESELECT_CARD), if none is selected previously.
2. Define the block length with CMD16(SET_BLOCKLEN) to send in the 8-bit card lock/unlock mode, 8-bit PWD_LEN, and the number of bytes of the new password.
3. Send CMD42(LOCK/UNLOCK) with the appropriate data block size on the data line including the 16-bit CRC. The data block indicates the operation mode (SET_PWD=1), the length (PWD_LEN) and the password (PWD).
4. When a password is matched, the card is locked and CARD_IS_LOCKED is set in the SDIO_STS register. If the password sent does not correspond to the expected password (in size and/or content), the LOCK_UNLOCK_FAILED error bit is set in the SDIO_STS register, and the lock fails.

If the password is previously set (PWD_LEN is not 0), the card is locked automatically after power-on reset. An attempt to lock a locked card or to lock a card that does not have a password fails and the LOCK_UNLOCK_FAILED error bit is set in the SDIO_STS register.

Unlocking a card

1. Select a card using CMD7 (SELECT/DESELECT_CARD), if none is selected previously
2. Define the block length with CMD16(SET_BLOCKLEN) to send in the 8-bit card lock/unlock mode, 8-bit PWD_LEN, and the number of bytes of the new password.
3. Send CMD42(LOCK/UNLOCK) with the appropriate data block size on the data line including the 16-bit CRC. The data block indicates the operation mode (SET_PWD=1), the length (PWD_LEN) and the password (PWD).
4. When a password is matched, the card is unlocked and CARD_IS_LOCKED is cleared in the SDIO_STS register. If the password sent does not correspond to the expected password (in size and/or content), the LOCK_UNLOCK_FAILED error bit is set in the SDIO_STS register, and the lock remains locked.

The unlocking function is valid only for the current power session. The card is locked automatically on the next power-up as long as the PWD field is not cleared.

An attempt to unlock an unlocked card fails and the LOCK_UNLOCK_FAILED error bit is set in the SDIO_STS register.

Forcing erase

If the user forgot the password (PWD content), it is possible to access the card after clearing all the data on the card. This forced erase operation will erase all card data and all password data.

1. Select a card using CMD7 (SELECT/DESELECT_CARD), if none is selected previously
2. Define the block length with CMD16(SET_BLOCKLEN) to send in the 8-bit card lock/unlock mode, 8-bit PWD_LEN, and the number of bytes of the new password.
3. Send CMD42(LOCK/UNLOCK) with the appropriate data block size on the data line including the 16-bit CRC. The data block indicates the operation mode (ERASE =1). All other bits must be zero.
4. When the ERASE bit is the only bit in the data field, all card content will be erased, including the PWD and the PWD_LEN field, and the card is no longer locked. When any other bits are not zero, the LOCK_UNLOCK_FAILED error bit is set in the SDIO_STS register, and the card data are retained, and the card remains locked.

An attempt to force erase an unlocked card fails and the LOCK_UNLOCK_FAILED error bit is set in the SDIO_STS register.

23.3.2 Commands and responses**23.3.2.1 Commands****Command types**

Four commands are available to control the SD memory card:

1. Broadcast command: sent to all cards, no responses returned
2. Broadcast command with response: sent to all cards, responses received from all cards simultaneously
3. Addressed command: sent to the selected card, and no data transfer on the SDIO_D line
4. Addressed data transfer command: sent to the selected card, and data transfer is present on the SDIO_D line

Command description

The SDIO host module system is designed to provide a standard interface for a variety of application types. In the meantime, specific customer/application features must also be taken into account. Because of this, two types of general commands are defined in the standard: general commands (GEN_CMD) and application-specific commands (ACMD).

To use the application-specific commands, the SDIO host must send CMD55(APP_CMD) first, and waits the response from the card, which indicates that the APP_CMD bit is set and an ACMD is expected, before sending ACMD.

Table 23-2 Commands

CMD index	Type	Parameter	Response format	Abbreviation	Description
CMD0	bc	[31: 0]=stuff bits	-	GO_IDLE_STATE	Reset all cards to idle state
CMD1	bc	[31: 0]=OCR	R3	SEND_OP_COND	In idle state, request a card to send OCR register content through the CMD bus
CMD2	bcr	[31: 0]=stuff bits	R2	ALL_Send_CID	Request all cards to send CID data through the CMD bus
CMD3	bcr	[31: 0]=stuff bits	R6	SEND_RELATIVE_ADDR	Request a card to issue a new relative card address
CMD4	bc	[31: 16]=DSR [15: 0]= stuff bits	-	SET_DSR	Set the DSR register of all cards
CMD5	bcr	[31: 24]Reserved [23: 0] I/O OCR	R4	IO_SEND_OP_COND	Used only for the SDIO card to query the voltage range of the required I/O card

CMD6	ac	[31: 26] set to 0 [25: 24] access [23: 16] index [15: 8] value [7: 3] set to 0 [2: 0] command set	R1b	SWITCH	Used only for the MMC card to switch the operation modes or modify the EXT_CSD register
CMD7	ac	[31: 16]=RCA [15: 0]= stuff bits	R1b	SELECT/DESELECT_CARD	This command is used to switch a card between the standby state and the send state, or between the programmed and the disconnected state. The relative card address is used to select a card. Address 0 is used to deselect the card.
CMD8 (SD)	bcr	[31: 12] Reserved [11: 8] operating voltage (VHS) [7: 0] check mode	R7	SEND_IF_COND	Send the host power supply voltage to the SD card and check whether the card supports the voltage or not.
CMD8 (MMC)	adtc	[31: 0]= stuff bits	R1	SEND_EXT_CSD	Used only for the MMC card to send its own EXT_CSD register as a data block
CMD9	ac	[31: 16]=RCA [15: 0]= stuff bits	R2	SEND_CSD	The selected card sends CSD (card-specific data) through the CMD bus
CMD10	ac	[31: 16]=RCA [15: 0]= stuff bits	R2	SEND_CID	The selected card sends CID (card flag) through the CMD bus
CMD12	ac	[31: 0]= stuff bits	R1b	STOP_TRANSMISSION	Force the card to stop transmission
CMD13	ac	[31: 16]=RCA [15: 0]= stuff bits	R1	SEND_STATUS	Selected card send status register
CMD15	ac	[31: 16]=RCA [15: 0]= stuff bits	-	GO_INACTIVE_STATE	Selected card switch to inactive state

Table 23-3 Data block read commands

CMD index	Type	Parameter	Response format	Abbreviation	Description
CMD16	ac	[31: 0]=data block length	R1	SET_BLOCKLEN	This command is used to set the length of data blocks (in bytes) for all block commands. The default value is 512 bytes.
CMD17	adtc	[31: 0]=data address	R1	READ_SINGLE_BLOCK	Read a data block of the size set by CMD16
CMD18	adtc	[31: 0]=data address	R1	READ_MULTIPLE_BLOCK	Continuously read data from the card to the host until the STOP_TRANSMISSION is received

Table 23-4 Data stream read/write commands

CMD index	Type	Parameter	Response format	Abbreviation	Description
CMD11	adtc	[31: 0]= data address	R1	READ_DAT_UNTIL_STOP	Read data stream from the card starting from a given address until the STOP_TRANSMISSION is received.

CMD20	adtc	[31:0]= data addressR1	WRITE_DAT_ UNTIL_STOP	Read data stream form the host starting from a given address until the STOP_TRANSMISSION is received.
-------	------	------------------------	--------------------------	---

Table 23-5 Data block write commands

CMD index	Type	Parameter	Response format	Abbreviation	Description
CMD16	ac	[31: 0]=data block length	R1	SET_BLOCKLEN	This command is used to set the length of data blocks (in bytes) for all block commands. The default value is 512 bytes.
CMD23	ac	[31: 16]=set to 0 [15: 0]=data block size	R1	SET_BLOCKCOUNT	Define the number of blocks to be transferred in the data block read/write that follows
CMD24	adtc	[31: 0]=data address	R1	WRITE_BLOCK	Write a data block of the size set by the CMD16
CMD25	adtc	[31: 0]=data address	R1	WRITE_MULTIPLE_BLOCK	Continuously write data blocks until the STOP_TRANSMISSION is received
CMD26	adtc	[31: 0]=stuff bits	R1	PROGRAM_CID	Program the card identification register
CMD27	adtc	[31: 0]=stuff bits	R1	PROGRAM_CSD	Program the programmable bits of the CSD

Table 23-6 Block-based write protect commands

CMD index	Type	Parameter	Response format	Abbreviation	Description
CMD28	ac	[31: 0]= data address	R1b	SET_WRITE_PROT	If the card has write protection features, this command sets the write protection bit of the specified group. The properties of write protection are placed in the card-specific area (WP_GRP_SIZE).
CMD29	ac	[31: 0]= data address	R1b	CLR_WRITE_PROT	If the card has write protection features, this command clears the write protection bit of the specified group.
CMD30	adtc	[31: 0]=write protect data address	R1	SEND_WRITE_PROT	If the card has write protection features, this command asks the card to send the status of the write protection bits.

Table 23-7 Erase commands

CMD index	Type	Parameter	Response format	Abbreviation	Description
CMD32 ... CMD34		Reserved. These command indexes cannot be used in order to maintain backward compatibility with older versions of the MultiMedia card.			
CMD35	ac	[31: 0]=data address	R1	ERASE_GROUP_START	Sets the address of the first erase group within a range to be selected for erase
CMD36	ac	[31: 0]=data address	R1	ERASE_GROUP_END	Sets the address of the last erase group within a continuous range to be selected for erase
CMD37		Reserved. These command indexes cannot be used in order to maintain backward compatibility with older versions of the MultiMedia card.			
CMD38	ac	[31: 0]=stuff bits	R1b	ERASE	Erase all previously selected data blocks

Table 23-8 I/O mode commands

CMD index	Type	Parameter	Response format	Abbreviation	Description
CMD39	ac	[31: 16]=RCA [15]=register write flag [14: 8]=register address [7: 0]=register data	R4	FAST_IO	Used to write and read 8-bit (register) data fields. The command specifies a card and a register and provides the data for writing if the write flag is set. The R4 response contains data read from the specified register. This command accesses application-specific registers that are not defined in the MultiMedia card standard.
CMD40	bcr	[31: 0]=stuff bits	R5	GO_IRQ_STATE	Place the system in the interrupt mode

Table 23-9 Card lock commands

CMD index	Type	Parameter	Response format	Abbreviation	Description
CMD42	adtc	[31: 0]=stuff bits	R1	LOCK_UNLOCK	Sets/clears the password or locks/unlocks the card. The size of the data block is set by CMD16.

Table 23-10 Application-specific commands

CMD index	Type	Parameter	Response format	Abbreviation	Description
CMD55	ac	[31: 16]=RCA [15: 0]=stuff bits	R1	APP_CMD	Indicates to the card that the next command is an application-specific command rather than a standard command.
CMD56	adtc	[31: 1]=stuff bits [0]=RD/WR	R1	GEN_CMD	Used either to transfer a data block to the card or to read a data block from the card for general-purpose/application-specific commands. The size of the data block is defined by the SET_BLOCK_LEN command.
CMD57 ... CMD59		Reserved.			
CMD60 ... CMD63		Reserved for manufacturer			

23.3.2.2 Response formats

All responses are sent via the CMD bus. The response transmission always starts with the left bit of the bit string corresponding to the response code word. The length depends on the response type.

A response always starts with a start bit (always 0), folled by the transmission bit indicating the direction of transmission (card =0). A value denoted by – in the tables below stands for a variable entry. All responses, except the R3 response type, are protected by a CRC. Every command code word is terminated with the end bit (always 1).

23.3.2.2.1 R1 (normal response command)

Code length = 48 bits. The 45:40 bits indicate the index of the command to be responded to. This value is interpreted as a binary-coded number (between 0 and 63). The status of the card is coded in 32 bits. Note that if it involves a data transfer to a card, a busy signal may appear on the data line after each data block is transmitted. The host should check the busy signal after data block transfer.

Table 23-11 R1 response

Bit	47	46	[45: 40]	[39: 8]	[7: 1]	0
Field width	1	1	6	32	7	1
Value	0	0	-	-	-	1
Description	Start bit	Transmission bit	Command index	Card status	CRC7	End bit

23.3.2.2.2 R1b

It is the same as R1 with an optional busy signal transmitted on the data line. The card may become busy after receiving these commands based on its state prior to the command reception. The host should check the busy signal.

23.3.2.2.3 R2 (CID & CSD registers)

Code length = 136 bits. The contents of the CID register are sent as a response to the CMD2 and CMD10 commands. The contents of the CSD register are sent as a response to the CMD9. Only the bits [127 ... 1] of the CID and CSD are transmitted, and the reserved bit [0] of these registers is replaced with the end bit of the response.

Table 23-12 R2 response

Bit	135	134	[133: 128]	[127: 1]	0
Field width	1	1	6	127	1
Value	1	0	111111	-	1
Description	Start bit	Transmission bit	Reserved	CID or CSD register	End bit

23.3.2.2.4 R3

Code length = 48 bits. The contents of the OCR register are sent as a response to ACMD41.

Table 23-13 R3 response

Bit	47	46	[45: 40]	[39: 8]	[7: 1]	0
Field width	1	1	6	32	7	1
Value	1	0	111111	-	111111	1
Description	Start bit	Transmission bit	Reserved	OCR register	Reserved	End bit

23.3.2.2.5 R4 (Fast I/O)

Code length = 48 bits. The parameter field contains the RCA of the specified card, the register address to be read out or written to, and its contents.

Table 23-14 R4 response

Bit	47	46	[45: 40]	[39: 8]	[7: 1]	0		
Field width	1	1	6	16	8	8	7	1
Value	1	0	100111	-	-	-	-	1
Description	Start bit	Transmission bit	CMD39	RCA	Register address	Read register contents	CRC7	End bit

23.3.2.2.6 R4b

For SD I/O only, an SDIO card will respond with a unique SDIO response R4 after receiving the CMD5.

Table 23-15 R4b response

Bit	47	46	[45: 40]			[39: 8]			[7: 1]	0
Field width	1	1	6	1	3	1	3	24	7	1
Value	1	0	-	-	-	-	-	-	-	1
Description	Start bit	Tx bit	Res.	Card ready	Numberof I/O functions	Current memory	Stuff bit	I/O OCR	Res.	End bit

23.3.2.2.7 R5 (interrupt request)

For MultiMedia card only. Code length = 48 bits. If the response is generated by the host, the RCA field in the parameter will be 0x0.

Table 23-16 R5 response

Bit	47	46	[45: 40]			[39: 8]			[7: 1]	0
Field width	1	1	6		16		16	7	1	
Value	1	0	101000		-		-	-	1	
Description	Start bit	Start bit	Tx bit		RCA[31:16] of a successful card or of the host		Not defined. Maybe used for interrupt data	CRC7	End bit	

23.3.2.2.8 R6 (interrupt request)

For SD I/O card only, this is a normal response to CMD3 by a memory device.

Table 23-17 R6 response

Bit	47	46	[45: 40]			[39: 8]			[7: 1]	0
Field width	1	1	6		16		16	7	1	
Value	1	0	000011		-		-	-	1	
Description	Start bit	Tx bit	CMD3		RCA[31:16] of a successful card or of the host		Card status	CRC7	End bit	

The card status bit [23: 8] will be changed when the CMD3 is sent to an I/O-only card. In this case, the 16 bits of response are the SD I/O-only values.

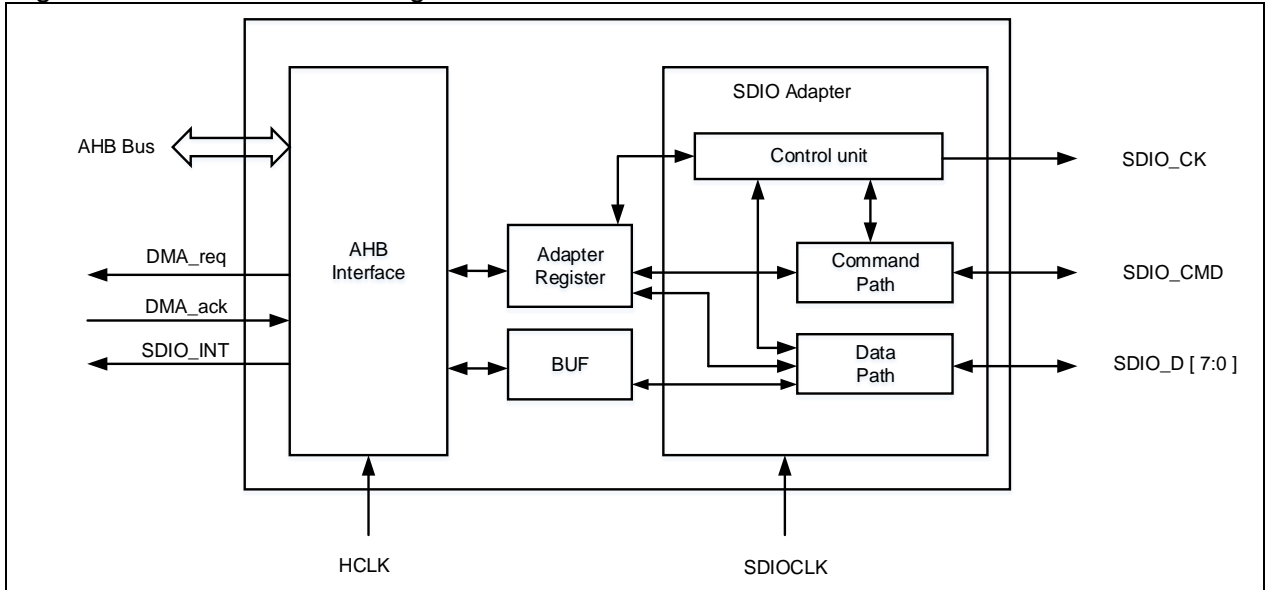
- Bit 15=COM_CRC_ERROR
- Bit 14=ILLEGAL_COMMAND
- Bit 13=ERROR
- Bit [12: 0]=Reserved

23.3.3 SDIO functional description

SDIO consists of four parts:

- SDIO adapter block: contains a control unit, command path and data path that provides all functions specific to the MMC/SD/SD I/O card such as the clock generation, command and data transfer
 - Control unit: manages and generates clock signals
 - Command path: manages command transfer
 - Data path: manages data transfer
- AHB interface: generates interrupt and DMA request signals
- Adapter register: system register
- BUF: used for data transfer

Figure 23-6 SDIO block diagram



23.3.3.1 SDIO adapter

SDIO_CK is a clock to the MultiMedia/SD/SDIO card provided by the host. One bit of command or data is transferred on both command and data lines with each clock cycle. The clock frequency can vary between different cards and different protocols.

- MultiMedia card
 - V3.31 protocol 0 – 20MHz
 - V4.0/4.2 protocol 0 – 50MHz
- SD card
 - 0 – 50MHz
- SD I/O card
 - 0 – 50MHz

SDIO_CMD is a bidirectional command channel and used for the initialization of a card and command transfer. When the host sends a command to a card, the card will issue a response to the host. The SDIO_CMD has two operational modes:

- Open-drain mode for initialization (only for MMCV3.31 or previous)
- Push-pull mode for command transfer (SD/SD I/O card and MMC V4.2 also use push-pull drivers for initialization)

SDIO_D [7:0] is a bidirectional data channel. After initialization, the host can change the width of the data bus. After reset, the SDIO_D0 is used for data transfer by default. MMCV3.31 or previous supports only one bit of data line, so only SDIO_DO can be used.

The table below is used for the MultiMedia card/SD/SD I/O card bus:

Table 23-18 SDIO pin definitions

Pin	Direction	Description
SDIO_CK	Output	MultiMedia card/SD/SDIO card clock. This pin is the clock from the host to a card.
SDIO_CMD	Bidirectional	MultiMedia card/SD/SDIO card command. This pin is the bidirectional command/response signal .
SDIO_D[7: 0]	Bidirectional	MultiMedia card/SD/SDIO card data. This pin is the bidirectional databus.

Control unit

The control unit consists of a power management sub-unit and a clock management sub-unit. The power management subunit is controlled by the SDIO_PWRCTRL register. The PS bit is used to define power-up/power-off state. During the power-off and power-up phases, the power management subunit will disable the card bus output signals. The clock management subunit is controlled by the SDIO_CLKCTRL

register where the CLKDIV bit is used to define the divider factor between the SDIOCLK and the SDIO output clock. If BYPSEN = 0, the SDIO_CK output signal is driven by the SDIOCLK divided according to the CLKDIV bit; if BYPSEN = 1, the SDIO_CK output signal is directly driven by the SDIOCLK. The HFCEN is set to enable hardware flow control feature in order to avoid the occurrence of an error at transmission underflow or reception overflow. The PWRSVEN bit can be set by software to enable power save mode, and the SDIO_CK can be output only when the bus is active.

Command path

The command path unit sends commands to and receives responses from the cards. When the CCSMEN bit is set in the SDIO_CMDCTRL register, a command transfer starts. First sends a command to a card by the SDIO_CMD, the command length is 48 bits. The data on the SDIO_CMD is synchronized with the rising edge of the SDIO_CK. A block of data is transferred with each SDIO_CK, including start bit, transfer bit, command index defined by the SDIO_CMDCTRL_CMDIDX bit, parameters defined by the SDIO_ARG, 7-bit CRC and end bit. Then receives responses from the card. There are two response types: 48-bit short response and 136-bit long response. Both use CRC error check. The received responses are saved in the area from SDIO_RSP1 to SDIO_RSP4. The command path can generate command flag, which can be defined by the SDIO_STS register.

Table 23-19 Command formats

Bit	47	46	[45:40]	[39:8]	[7:1]	0
Width	1	1	6	32	7	1
Value	0	1	-	-	-	1
Description	Start bit	Tx bit	Command index	Parameter	CRC7	End bit

— Response: A response is sent from a specified card to the host (or synchronously from all cards for MMCV3.31 or previous), as an answer to a previously received command. Responses are transferred serially on the CMD line.

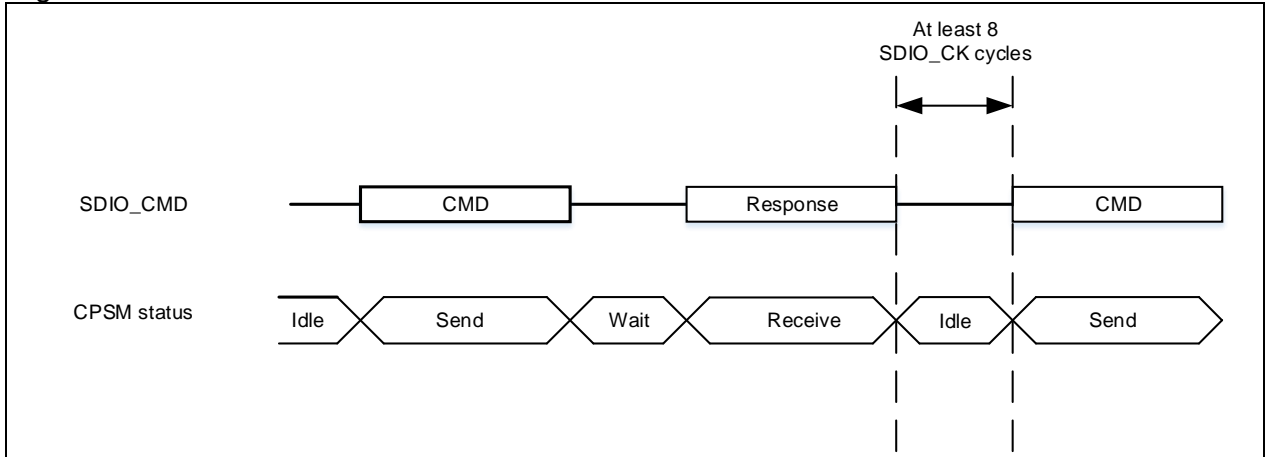
Table 23-20 Short response format

Bit	47	46	[45:40]	[39:8]	[7:1]	0
Width	1	1	6	32	7	1
Value	0	0	-	-	-	1
Description	Start bit	Tx bit	Command index	Parameter	CRC7 (or 1111111)	End bit

Table 23-21 Long response format

Bit	135	134	[133:128]	[127:1]	0
Width	1	1	6	127	1
Value	0	0	111111	-	1
Description	Start bit	Tx	Reserved	CID or CSD (including internal CRC7)	End bit

Figure 23-8 SDIO command transfer



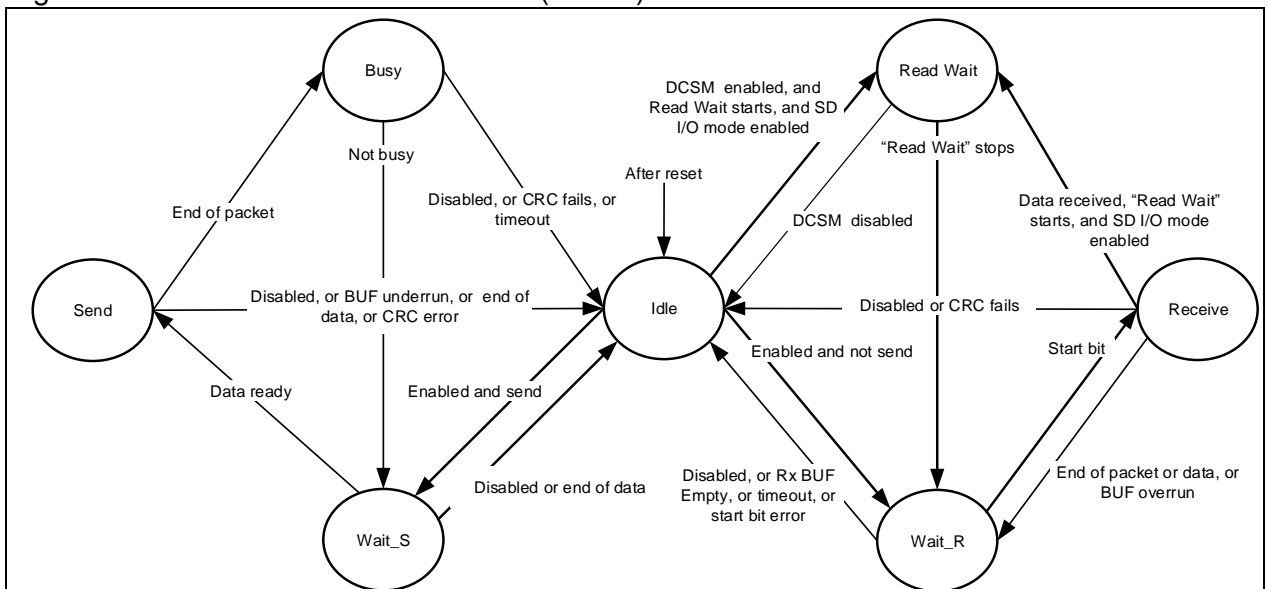
Data path

The data path subunit transfers data between the host and the cards. The databus width can be configured using the BUSWS bit in the SDIO_CLKCTRL register. By default, only the SDIO_DO signal line is used for transfer. Only one bit of data is transferred with each clock cycle. If the 4-bit wide bus mode is selected, four bits are transferred per clock cycle over the SDIO_D [3:0] signal line. If the 8-bit wide bus mode is selected, eight bits are transferred per clock cycle over the SDIO_D [7: 0] signal line. The TFRDIR bit is set in the SDIO_DTCTR register to define the transfer direction. If TFRDIR=0, it indicates that the data is transferred from the controller to the card; if TFRDIR=1, it indicates that the data is transferred from the card to the controller. The TFRMODE bit can be used to select block data transfer or stream transfer for the MultiMedia card. If the TFREN bit is set, data transfer starts. Depending on the TFRDIR bit, the DCSM enters Wait_S or Wait_R state.

Data channel state machine (DCSM)

The DCSM has seven states, in send and receive mode, as shown in the Figure below:

Figure 23-9 Data channel state machine (DCSM)



Send mode

- Idle: The data channel is inactive, either in the Wait_S or the Wait_R state.
- Wait_S: Waits until the BUF flag becomes empty or the data transmission is completed. The DCSM must remain in the Wait_S state for at least two clock periods to meet the N_{WR} timing requirements where the N_{WR} is the interval between the reception of the card response and the start of the data transfer from the host.
- Send: The DCSM sends data to a card, and the data transfer mode can be either block or stream, depending on the SDIO_DTCTRL_TFRMODE bit. If an overflow error occurred, the DCSM then moves to the idle state

- **Busy:** The DCSM waits for the CRC flag. If the DCSM receives a correct CRC status and is not busy, it will enter the Wait_S state. If it does not receive a correct CRC status or a timeout occurs while the DCSM is in the busy state, a CRC fail flag or timeout flag is generated.
- **Wait_R:** The start bit of the Wait_R. If a timeout occurs before it detects a start bit, the DCSM moves to the idle state and generates a timeout flag.
- **Receive:** Data is received from a card and written to the BUF. The data transfer mode can be either block or stream, depending on the SDIO_DTCTRL_TFRMODE bit. If an overflow error occurs, it then returns to Wait_R state.

Table 23-23 Data token formats

Description	Start bit	Data	CRC16	End bit
Block data	0	-	Y	1
Stream data	0	-	N	1

23.3.3.2 Data BUF

The data BUF contains a transmit and receive unit. It is a 32-bit wide and 32-word deep data buffer. Because the data BUF operates in the AHB clock domain (HCLK), all signals connected to the SDIO clock domain (SDIOCLK) are resynchronized.

- **Transmit BUF:** Data can be written to the transmit BUF via the AHB interface when the SDIO transmission feature is enabled.

The transmit BUF has 32 sequential addresses. It contains a data output register that holds the data word pointed by the read pointer. When the data path has loaded its shift register, it moves its read pointer to the next data and outputs data.

If the transmit BUF is disabled, all status flags are inactive. The data path sets the DOTX when it transmits data.

- **Receive BUF:** When the data path receives a data word, it will write the data to the BUF. The write pointer is incremented automatically after the end of the write operation. On the other side, a read pointer always points to the current data in the BUF. If the receive BUF is disabled, all status flags are cleared, and the read and write pointers are reset as well. The data path sets the DORX when it receives data.

23.3.3.3 SDIO AHB interface

The AHB interface generates the interrupt and DMA requests, and access the SDIO interface registers and the data BUF.

SDIO interrupts

The interrupt logic generates an interrupt request when one of the selected status flags is high. The SDIO_INTEN register is used to select the conditions that will generate an interrupt.

SDIO/DMA interface: data transfer process between the SDIO and memory

In the following examples, data is transferred from the host to the card. the SDIO BUF is filled with data stored in a memory through the DMA controller.

1. Card identification process
2. Increase the SDIO_CK frequency
3. Select a card by sending CMD7
4. Enable the DMA2 controller and clear all interrupt flag bits, configure the DMA2 channel4 source address register as the memory buffer's base address, and the DMA2 channel4 destination address register as the SDIO_BUF register address. Then configure the DMA2 channel4 control register (memory increment, non-peripheral increment, and peripheral and source data width is word width). Finally enable DMA2 channel4.
5. Send CMD24 (WRITE_BLOCK) as follows:
Program the SDIO data length register (SDIO_DTLLEN), the BLKSIZE bit in the SDIO data control register (SDIO_DTCTRL), and the SDIO parameter register (SDIO_ARG) with the address of the card where data is to be transferred, and program the SDIO command register (SDIO_CMD), enable the CCSMEN bit, wait for SDIO_STS [6]=CMDRSPCMPL interrupt,

and then program the SDIO data control register (SDIO_DTCTRL): TFREN=1 (enable the SDIO card host to send data), TFRDIR=0 (from the controller to the card), TFRMODE=0 (block data transfer), DMAEN=1 (enable DMA), BLKSIZE=9 (512 bytes), and wait from SDIO_STS [10]=DTBLKCMPL.

6. Check that no channels are still enabled by confirming the DMA channel enable SDIO status register (SDIO_STS)

23.3.3.4 Hardware flow control

The HFCEN bit is set in the SDIO_CLKCTRL register to enable hardware flow control, which is used to avoid BUF underflow and overflow errors. Read/write access to the BUF is still active even if flow control is enabled.

23.3.4 SDIO I/O card-specific operations

The SDIO can support the following operations (except read suspend, for it does not require specific hardware operation) when the SDIO_DTCTRL [11] is set.

SDIO read wait operation by SDIO_D2 signal lines

The optional read wait operation is used only for SD card 1-bit or 4-bit mode. The read wait operation can instruct the host to stop data transfer temporarily while the host is reading from multiple registers (IO_RW_EXTENDED, CMD53), and also allows the host to send commands to other functions in the SD I/O device in order to start a read wait process after the reception of the first data block. The detailed process as follows:

- Enable data path (SDIO_DTCTRL [0] = 1)
- Enable SDIO-specific operation (SDIO_DTCTRL [11] = 1)
- Start read wait (SDIO_DTCTRL [10]=0 and SDIO_DTCTRL [8]=1)
- Data direction is from a card to the SDIO host (SDIO_DTCTRL [1]=1)
- The data unit in the SDIO adapter will enter read wait state, and drive the SDIO_D2 to 0 after 2 SDIO_CK cycles
- The data unit starts waiting to receive data from a card. the DCSM will not enter read wait even if read wait start is set. The read wait process will start after the CRC is received. The RDWTSTOP has to be cleared to start a new read wait operation.

During the read wait period, the SDIO host can detect the SDIO interrupts over the SDIO_D1.

SDIO read wait operation by stopping clock

If the SDIO card does not support the mentioned above read wait operation, the SDIO can enter a read wait by stopping SDIO_CK, described as follows:

- Enable data path (SDIO_DTCTRL [0] = 1)
- Enable SDIO-specific operation (SDIO_DTCTRL [11] = 1)
- Start read wait (SDIO_DTCTRL [10]=0 and SDIO_DTCTRL [8]=1)

The DCSM stops the clock two SDIO_CK cycles after the end bit of the current received data block and starts the clock again after the read wait end bit is set.

Note that as the SDIO_CK is stopped, the SDIO host cannot send any command to the card. the SDIO host can detect the SDIO interrupt over the SDIO_D1.

SDIO suspend/resume operation (write and read operation suspend)

To free the bus to provide higher-priority transfers for other functions or memories, the host can suspend data transfer to certain functions or memories. As soon as the higher-priority transfer is completed, the previous transfer operation will restart at the suspended location.

While sending data to a card, the SDIO can suspend the write operation. the SDIO_CMD [11] bit is set and indicates to the CCSM that the current command is a suspend command. The CCSM analyzes the response and when a ACK signal is received from the card (suspend accepted), it acknowledges the DCSM that enters the idle state after receiving the CRC of the current data block.

SDIO interrupts

There is a pin with interrupt feature on the SD interface in order to enable the SD I/O card to interrupt the MultiMedia card/SD module. In 4-bit SD mode, this pin is SDIO_D1. The SD I/O interrupts are detected when the level is active. In other words, the interrupt signal line must be active (low) before it is recognized and responded by the MultiMedia card/SD module, and will remain inactive (high) at the end of the interrupt routine.

When the SDIO_DTCTRL [11] bit is set, the SDIO interrupts are detected on the SDIO_D1 signal line.

23.4 SDIO registers

The device communicates with the system through 32-bit control registers accessible via AHB.

The peripheral registers must be accessed by words (32-bit).

Table 23-24 A summary of the SDIO registers.

Register	Offset	Reset value
SDIO_PWRCTRL	0x00	0x0000 0000
SDIO_CLKCTRL	0x04	0x0000 0000
SDIO_ARG	0x08	0x0000 0000
SDIO_CMD	0x0C	0x0000 0000
SDIO_RSPCMD	0x10	0x0000 0000
SDIO_RSP1	0x14	0x0000 0000
SDIO_RSP2	0x18	0x0000 0000
SDIO_RSP3	0x1C	0x0000 0000
SDIO_RSP4	0x20	0x0000 0000
SDIO_DTTMR	0x24	0x0000 0000
SDIO_DTLEN	0x28	0x0000 0000
SDIO_DTCTRL	0x2C	0x0000 0000
SDIO_DTCNTR	0x30	0x0000 0000
SDIO_STS	0x34	0x0000 0000
SDIO_INTCLR	0x38	0x0000 0000
SDIO_INTEN	0x3C	0x0000 0000
SDIO_BUFCNTR	0x48	0x0000 0000
SDIO_BUF	0x80	0x0000 0000

23.4.1 SDIO power control register (SDIO_PWRCTRL)

Bit	Register	Reset value	Type	Description
Bit 31:2	Reserved	0x0000 0000	resd	Kept at its default value.
				Power switch
				These bits are set or cleared by software. They are used to define the current status of the card clock.
Bit 1:0	PS	0x0	rw	00: Power-off, the card clock is stopped. 01: Reserved 10: Reserved 11: Power-on, the card clock is started.

Note: Write access to this register is not allowed within seven HCLK clock periods after data is written.

23.4.2 SDIO clock control register (SDIO_CLKCTRL)

The SDIO_CLKCTRL register controls the SDIO_CK output clock.

Bit	Register	Reset value	Type	Description
Bit 31: 17	Reserved	0x0000	resd	Kept at its default value.
				Clock division
Bit 16: 15	CLKDIV	0x0	rw	This field is set or cleared by software. It defines the clock division relations between the SDIOCLK and the SDIO_CK: SDIO_CK frequency=SDIOCLK/[CLKDIV[9: 0] + 2].
				Hardware flow control enable This bit is set or cleared by software. 0: Hardware flow control disabled 1: Hardware flow control enabled Note: When hardware flow control is enabled, refer to the SDIO_STS register for the meaning of the TXBUF_E and RXBUF_F interrupt signals.
Bit 14	HFCEN	0x0	rw	
				SDIO_CK edge selection This bit is set or cleared by software. 0: SDIO_CK generated on the rising edge of the master clock SDIOCLK 1: SDIO_CK generated on the falling edge of the master clock SDIOCLK
Bit 13	CLKEGS	0x0	rw	
				Bus width selection This bit is set or cleared by software. 00: Default bus mode, SDIO_D0 used 01: 4-bit bus mode, SDIO_D[3: 0] used 10: 8-bit bus mode, SDIO_D[7: 0] used
Bit 12: 11	BUSWS	0x0	rw	
				Clock divider bypass enable bit This bit is set or cleared by software. When disabled, the SDIO_CK output signal is driven by the SDIOCLK that is divided according to the CLKDIV value. When enabled, the SDIO_CK output signal is directly driven by the SDIOCLK. 0: Clock divider bypass disabled 1: Clock divider bypass enabled
Bit 10	BYPSEN	0x0	rw	
				Power saving mode enable This bit is set or cleared by software. When disabled, the SDIO_CK is always output; when enabled, the SDIO_CK is only output when the bus is active. 0: Power saving mode disabled 1: Power saving mode enabled
Bit 9	PWRSVEN	0x0	rw	
				Clock output enable This bit is set or cleared by software. 0: Clock output disabled 1: Clock output enabled
Bit 8	CLKOEN	0x0	rw	
				Clock division This field is set or cleared by software. It defines the clock division relations between the SDIOCLK and the SDIO_CK: SDIO_CK frequency=SDIOCLK/[CLKDIV[9: 0] + 2].
Bit 7: 0	CLKDIV	0x00	rw	

Note: 1. While the SD/SDIO card or MultiMedia card is in identification mode, the SDIO_CK frequency must be less than 400kHz.

2. When all cards are assigned with relative card addresses, the clock frequency can be changed to the maximum card frequency.

3. This register cannot be written within seven HCLK clock periods after data is written. The SDIO_CK can be stopped during the read wait period for SD I/O cards. In this case, the SDIO_

CLKCTRL register does not control the SDIO_CK.

23.4.3 SDIO argument register (SDIO_ARG)

The SDIO_ARG register contains 32-bit command argument, which is sent to a card as part of a command.

Bit	Register	Reset value	Type	Description
				Command argument
Bit 31:0	ARGU	0x0000 0000	rw	Command argument is sent to a card as part of a command. If a command contains an argument, it must be loaded into this register before writing a command to the command register.

23.4.4 SDIO command register (SDIO_CMD)

The SDIO_CMD register contains the command index and command type bits. The command index is sent to a card as part of a command. The command type bits control the command channel state machine (CCSM).

Bit	Register	Reset value	Type	Description
Bit 31:12	Reserved	0x00000	resd	Kept at its default value.
				SD I/O suspend command
Bit 11	IOSUSP	0x0	rw	This bit is set or cleared by software. If this bit is set, the command to be sent is a suspend command (used for SDIO only). 0: SD I/O suspend command disabled 1: SD I/O suspend command enabled
				Command channel state machine (CCSM) enable bit
Bit 10	CCSMEN	0x0	rw	This bit is set or cleared by software. 0: Command channel state machine disabled 1: Command channel state machine enabled
				CCSM Waits for ends of data transfer (CmdPend internal signal)
Bit 9	PNDWT	0x0	rw	This bit is set or cleared by software. If this bit is set, the CCSM waits for the end of data transfer before it starts sending a command. 0: Disabled 1: Enabled
				CCSM waits for interrupt request
Bit 8	INTWT	0x0	rw	This bit is set or cleared by software. If this bit is set, the CCSM disables command timeout and waits for an interrupt request. 0: Disabled 1: Enabled
				Wait for response bits
Bit 7:6	RSPWT	0x0	rw	This bit is set or cleared by software. This bit indicates whether the CCSM is to wait for a response, and if yes, it will indicate the response type. 00: No response 01: Short response 10: No response 11: Long response
				Command index
Bit 5:0	CMDIDX	0x00	rw	The command index is sent to a card as part of a command.

Note: 1. This register cannot be written within several HCLK clock periods after data is written.

2. MultiMedia card can send two types of responses: 48-bit short response or 136-bit short response. The SD card and SD I/O card can send only short responses, and the argument

can vary according to the type of response. The software will distinguish the type of response according to the command sent.

23.4.5 SDIO command response register (SDIO_RSPCMD)

The SDIO_RSPCMD register contains the command index of the last command response received. If the command response transmission does not contain the command index (long or OCR response), the SDIO_RSPCMD field is unknown, although it should have contained 111111b (the value of the reserved field from a response)

Bit	Register	Reset value	Type	Description
Bit 31: 6	Reserved	0x0000000	resd	Kept at its default value.
				Response command index
Bit 5: 0	RSPCMD	0x00	ro	This field contains the command index of the command response received.

23.4.6 SDIO response 1..4 register (SDIO_RSPx)

The SDIO_RSPx (x=1..4) register contains the status of a card, which is part of the response received.

Bit	Register	Reset value	Type	Description
Bit 31: 0	CARDSTSx	0x0000 0000	ro	See Table 23-25

The card status size is 32 or 127 bits, depending on the response type.

Table 23-25 Response type and SDIO_RSPx register

Register	Short response	Long response
SDIO_RSP1	Card status [31: 0]	Card status [127: 96]
SDIO_RSP2	Unused	Card status [95: 64]
SDIO_RSP3	Unused	Card status [63: 32]
SDIO_RSP4	Unused	Card status [31: 1]

The most significant bit of the card status is always received first. The least significant bit of the SDIO_RSP4 register is always 0.

23.4.7 SDIO data timer register (SDIO_DTTMR)

The SDIO_DTTMR register contains the data timeout period in the unit of card bus clock periods. A counter loads the value from the SDIO_DTTMR register and starts decrementing when the DCSM enters the Wait_R or busy state. If the counter reaches 0 while the DCSM is in either of these states, a timeout status flag will be set.

Bit	Register	Reset value	Type	Description
Bit 31: 0	TIMEOUT	0x0000 0000	rw	Data timeout period Data timeout period in card bus clock cycles.

Note: A data transfer must be written to the SDIO_DTCNTR and the SDIO_DTLEN register before being written to the SDIO data control register (SDIO_DTCTRL).

23.4.8 SDIO data length register (SDIO_DTLEN)

The SDIO_DTLEN register contains the number of data bytes to be transferred. The value is loaded into the data counter when data transfer starts.

Bit	Register	Reset value	Type	Description
Bit 31: 25	Reserved	0x00	resd	Kept at its default value.
Bit 24: 0	DTLEN	0x0000000	rw	Data length value Number of data bytes to be transferred.

Note: For a block data transfer, the value in the SDIO_DTLEN must be a multiple of the block data size. A data transfer must be written to the SDIO_DTCNTR and the SDIO_DTLEN register before being written to the SDIO data control register (SDIO_DTCTRL).

23.4.9 SDIO data control register (SDIO_DTCTRL)

The SDIO_DTCTRL register controls the data channel status machine (DCSM).

Bit	Register	Reset value	Type	Description
Bit 31: 12	Reserved	0x00000	resd	Kept at its default value.
Bit 11	IOEN	0x0	rw	SD I/O enable functions This bit is set or cleared by software. If the bit is set, the DCSM performs an SD IO card-specific operation. 0: Disabled 1: Enabled
Bit 10	RDWTMODE	0x0	rw	Read wait mode This bit is set or cleared by software. If disabled, the SDIO_D2 controls the read wait; if enabled, the SDIO_CK controls the read wait. 0: Disabled 1: Enabled
Bit 9	RDWTSTOP	0x0	rw	Read wait stop This bit is set or cleared by software. While the the RDWTSTART is set, If this bit is set, it indicates that read wait is stopped; if this bit cleared, it indicates that the read wait is in progress. 0: Read wait is in progress if the RDWTSTART is set. 1: Read wait is stopped if the RDWTSTART is set.
Bit 8	RDWTSTART	0x0	rw	Read wait start This bit is set or cleared by software. When this bit is set, read wait starts; when this bit is cleared, no actions occurs. 0: Read wait disabled 1: Read wait enabled
Bit 7: 4	BLKSIZE	0x0	rw	Data block size This bit is set or cleared by software. This field defines the length of data block when the block data transfer is selected. 0000: block length = 2^0 = 1 byte 0001: block length = 2^1 = 2 bytes 0010: block length = 2^2 = 4 bytes 0011: block length = 2^3 = 8 bytes 0100: block length = 2^4 = 16 bytes 0101: block length = 2^5 = 32 bytes 0110: block length = 2^6 = 64 bytes 0111: block length = 2^7 = 128 bytes 1000: block length = 2^8 = 256 bytes 1001: block length = 2^9 = 512 bytes 1010: block length = 2^{10} = 1024 bytes 1011: block length = 2^{11} = 2048 bytes 1100: block length = 2^{12} = 4096 bytes 1101: block length = 2^{13} = 8192 bytes 1110: block length = 2^{14} = 16384 bytes 1111: Reserved
Bit 3	DMAEN	0x0	rw	DMA enable bit This bit is set or cleared by software. 0: Disabled 1: Enabled
Bit 2	TFRMODE	0x0	rw	Data transfer mode selection This bit is set or cleared by software. If this bit is set, it indicates stream data transfer; if this bit cleared, it indicates

				block data transfer. 0: Disabled 1: Enabled
Bit 1	TFRDIR	0x0	rw	Data transfer direction selection This bit is set or cleared by software. If this bit is set, data transfer is from a card to a controller; if this bit is cleared, data transfer is from a controller to a card. 0: Disabled 1: Enabled
Bit 0	TFREN	0x0	rw	Data transfer enabled bit This bit is set or cleared by software. If this bit is set, data transfer starts. The DCSM enters the Wait_S or Wait_R state, depending on the direction bit TFRDIR. The DCSM goes to the read wait state if the RDWTSTART bit is set from the beginning of the transfer. It is not necessary to clear the enable bit after the end of data transfer but the SDIO_DTCTRL must be updated to enable a new data transfer. 0: Disabled 1: Enabled

Note: This register cannot be written within seven HCLK clock periods after data is written.

23.4.10 SDIO data counter register (SDIO_DTCNTR)

The SDIO_DTCNTR register loads the value from the SDIO_DTLLEN register when the DCSM moves from the idle state to the Wait_R or Wait_S state. During the data transfer, the counter value decrements to 0, and then the DCSM enters the idle state and sets the data status end flag bit DTCMPL.

Bit	Register	Reset value	Type	Description
Bit 31: 25	Reserved	0x00	resd	Kept at its default value.
Bit 24: 0	CNT	0x0000000	ro	Data count value When this register is read, the number of data bytes to be transferred is returned. Write access has no effect.

Note: This register can be read only when the data transfer is complete.

23.4.11 SDIO status register (SDIO_STS)

The SDIO_STS is a read-only register, containing two types of flags:

- Static flags (bits [23: 22, 10: 0]): These bits can be cleared by writing to the SDIO_INTCLR register.
- Dynamic flags (bit [21: 11]): These bit status changes with the state of the corresponding logic (for example, BUF full or empty flag is set or cleared as data written to the BUF)

Bit	Register	Reset value	Type	Description
Bit 31: 23	Reserved	0x000	resd	Kept at its default value.
Bit 22	IOIF	0x0	ro	SD I/O interrupt received
Bit 21	RXBUF	0x0	ro	Data available in receive BUF
Bit 20	TXBUF	0x0	ro	Data available in transmit BUF
Bit 19	RXBUFE	0x0	ro	Receive BUF empty
Bit 18	TXBUFE	0x0	ro	Transmit BUF empty If hardware flow control is enabled, the TXBUF_E signal becomes valid when the BUF contains two words.
Bit 17	RXBUFF	0x0	ro	Receive BUF full If hardware flow control is enabled, the RXBUF_F becomes valid two words before the BUF is full.
Bit 16	TXBUFF	0x0	ro	Transmit BUF full
Bit 15	RXBUFH	0x0	ro	Receive BUF half full There are at least 8 words in the BUF. This flag bit can be used as DMA request.

Bit 14	TXBUFH	0x0	ro	Transmit BUF half empty: At least 8 words can be written to the BUF. This flag bit can be used as DMA request.
Bit 13	DORX	0x0	ro	Data receive in progress
Bit 12	DOTX	0x0	ro	Data transmit in progress
Bit 11	DOCMD	0x0	ro	Command transfer in progress
Bit 10	DTBLKCMPL	0x0	ro	Data block sent/received CRC check passed)
Bit 9	SBITERR	0x0	ro	Start bit not detected on all data signals in wide bus mode
Bit 8	DTCMPL	0x0	ro	Data end (data counter, SDIO CNT, is zero)
Bit 7	CMDCMPL	0x0	ro	Command sent (no response required)
Bit 6	CMDRSPCMPL	0x0	ro	Command response (CRC check passed)
Bit 5	RXERRO	0x0	ro	Received BUF overrun error
Bit 4	TXERRU	0x0	ro	Transmit BUF underrun error
Bit 3	DTTIMEOUT	0x0	ro	Data timeout
Bit 2	CMDCMPL	0x0	ro	Command response timeout The command timeout is a fixed value of 64 SDIO_CK clock periods.
Bit 1	DTFAIL	0x0	ro	Data block sent/received (CRC check failed)
Bit 0	CMDFAIL	0x0	ro	Command response received (CRC check failed)

23.4.12 SDIO clear interrupt register (SDIO_INTCLR)

The SDIO_INTCLR is a read-only register. Writing 1 to the corresponding register bit will clear the correspond bit in the SDIO_STS register.

Bit	Register	Reset value	Type	Description
Bit 31: 23	Reserved	0x000	resd	Kept at its default value.
Bit 22	IOIF	0x0	rw	SD I/O interface flag clear bit This bit is set by software to clear the IOIF flag.
Bit 21: 11	Reserved	0x000	resd	Kept at its default value.
Bit 10	DTBLKCMPL	0x0	rw	DTBLKCMPL flag clear bit This bit is set by software to clear the DTBLKCMPL flag.
Bit 9	SBITERR	0x0	rw	SBITERR flag clear bit This bit is set to clear the SBITERR flag.
Bit 8	DTCMPL	0x0	rw	DTCMPL flag clear bit This bit is set by software to clear the DTCMPL flag.
Bit 7	CMDCMPL	0x0	rw	CMDCMPL flag clear bit This bit is set by software to clear the CMDCMPL flag.
Bit 6	CMDRSPCMPL	0x0	rw	MDRSPCMPL flag clear bit This bit is set by software to clear the CMDRSPCMPL flag.
Bit 5	RXERRO	0x0	rw	RXERRO flag clear bit This bit is set by software to clear the RXERRO flag.
Bit 4	TXERRU	0x0	rw	TXERRU flag clear bit This bit is set by software to clear the TXERRU flag.
Bit 3	DTTIMEOUT	0x0	rw	DTTIMEOUT flag clear bit This bit is set by software to clear the DTTIMEOUT flag.
Bit 2	CMDCMPL	0x0	rw	CMDCMPL flag clear bit This bit is set by software to clear the CMDCMPL flag.
Bit 1	DTFAIL	0x0	rw	DTFAIL flag clear bit This bit is set by software to clear the DTFAIL flag.
Bit 0	CMDFAIL	0x0	rw	CMDFAIL flag clear bit This bit is set by software to clear the CMDFAIL flag.

23.4.13 SDIO interrupt mask register (SDIO_INTEN)

The SDIO_INTEN register determines which status bit generates an interrupt by setting the corresponding bit.

Bit	Register	Reset value	Type	Description
Bit 31: 23	Reserved	0x000	res d	Kept at its default value.
Bit 22	IOIFIEN	0x0	rw	SD I/O mode received interrupt enable This bit is set or cleared by software to enable/disable the SD I/O mode received interrupt function. 0: Disabled 1: Enabled
Bit 21	RXBUFIEN	0x0	rw	Data available in RxBUF interrupt enable This bit is set or cleared by software to enable/disable the Data Available in RxBUF Interrupt. 0: Disabled 1: Enabled
Bit 20	TXBUFIEN	0x0	rw	Data available in TxBUF interrupt enable This bit is set or cleared by software to enable/disable the Data Available in TxBUF Interrupt. 0: Disabled 1: Enabled
Bit 19	RXBUFEIEN	0x0	rw	RxBUF empty interrupt enable This bit is set or cleared by software to enable/disable the RxBUF empty interrupt. 0: Disabled 1: Enabled
Bit 18	TXBUFEIEN	0x0	rw	TxBUF empty interrupt enable This bit is set or cleared by software to enable/disable the TxBUF empty interrupt. 0: Disabled 1: Enabled
Bit 17	RXBUFFIEN	0x0	rw	RxBUF full interrupt enable This bit is set or cleared by software to enable/disable the RxBUF full interrupt. 0: Disabled 1: Enabled
Bit 16	TXBUFFIEN	0x0	rw	TxBUF full interrupt enable This bit is set or cleared by software to enable/disable the TxBUF full interrupt. 0: Disabled 1: Enabled
Bit 15	RXBUFHIEN	0x0	rw	RxBUF half full interrupt enable This bit is set or cleared by software to enable/disable the RxBUF half full interrupt. 0: Disabled 1: Enabled
Bit 14	TXBUFHIEN	0x0	rw	TxBUF half empty interrupt enable This bit is set or cleared by software to enable/disable the TxBUF half empty interrupt. 0: Disabled 1: Enabled
Bit 13	DORXIEN	0x0	rw	Data receive acting interrupt enable This bit is set or cleared by software to enable/disable the Data receive acting interrupt. 0: Disabled

				1: Enabled
Bit 12	DOTXIEN	0x0	rw	Data transmit acting interrupt enable This bit is set or cleared by software to enable/disable the Data transmit acting interrupt. 0: Disabled 1: Enabled
Bit 11	DOCMDIEN	0x0	rw	Command acting interrupt enable This bit is set or cleared by software to enable/disable the Command acting interrupt. 0: Disabled 1: Enabled
Bit 10	DTBLKCMP LIEN	0x0	rw	Data block end interrupt enable This bit is set or cleared by software to enable/disable the Data block end interrupt. 0: Disabled 1: Enabled
Bit 9	SBITERRIEN	0x0	rw	Start bit error interrupt enable This bit is set or cleared by software to enable/disable the Start bit error interrupt. 0: Disabled 1: Enabled
Bit 8	DTCMP LIEN	0x0	rw	Data end interrupt enable This bit is set or cleared by software to enable/disable the Data end interrupt. 0: Disabled 1: Enabled
Bit 7	CMDCMP LIEN	0x0	rw	Command sent interrupt enable This bit is set or cleared by software to enable/disable the Command sent interrupt. 0: Disabled 1: Enabled
Bit 6	CMDRSPCMP LIEN	0x0	rw	Command response received interrupt enable This bit is set or cleared by software to enable/disable the Command response received interrupt. 0: Disabled 1: Enabled
Bit 5	RXERROIEN	0x0	rw	RxBUF overrun error interrupt enable This bit is set or cleared by software to enable/disable the RxBUF overrun error interrupt. 0: Disabled 1: Enabled
Bit 4	TXERRUIEN	0x0	rw	TxBUF underrun error interrupt enable This bit is set or cleared by software to enable/disable the TxBUF underrun error interrupt. 0: Disabled 1: Enabled
Bit 3	DTTIMEOUTIEN	0x0	rw	Data timeout interrupt enable This bit is set or cleared by software to enable/disable the Data timeout interrupt. 0: Disabled 1: Enabled
Bit 2	CMDTIMEOUTIEN	0x0	rw	Command timeout interrupt enable This bit is set or cleared by software to enable/disable the Command timeout interrupt. 0: Disabled

				1: Enabled
Bit 1	DTFAILIEN	0x0	rw	Data CRC fail interrupt enable This bit is set or cleared by software to enable/disable the Data CRC fail interrupt. 0: Disabled 1: Enabled
Bit 0	CMDFAILIEN	0x0	rw	Command CRC fail interrupt enable This bit is set or cleared by software to enable/disable the Command CRC fail interrupt. 0: Disabled 1: Enabled

23.4.14 SDIOBUF counter register (SDIO_BUF CNTR)

The SDIO_BUF CNTR register contains the number of words to be written to or read from the BUF. The BUF counter loads the value from the SDIO_DTLEN register when the data transfer bit TFREN is set in the SDIO_DTCTRL register. If the data length is not word-aligned, the remaining 1 to 3 bytes are regarded as a word.

Bit	Register	Reset value	Type	Description
Bit 31:24	Reserved	0x00	resd	Kept at its default value.
Bit 23:0	CNT	0x000000	ro	Number of words to be written to or read from the BUF.

23.4.15 SDIO data BUF register (SDIO_BUF)

The receive and data BUF is group of a 32-bit wide registers that can be written or read. The BUF contains 32 registers on 32 sequential addresses. The CPU can use BUF for read/write multiple operations.

Bit	Register	Reset value	Type	Description
Bit 31:0	DT	0x0000 0000	rw	Receive and transmit BUF data The BUF data occupies 32x32-bit words, the address: SDIO base + 0x80 to SDIO base + 0xFC

24 Universal serial bus full-speed device interface (USBFS)

24.1 USBFS introduction

The USBFS implements the USB2.0 full-speed protocols. At the bus speed of 1212Mb/s, it supports control transfer, bulk transfer, synchronous transfer and interrupt transfer, as well as USB suspend/resume.

The USBFS has eight programmable bidirectional endpoints that can be configured as different types of transfers according to specific requirements. It contains a SRAM with dual endpoints for data transfer between the endpoint and user application. In the meantime, it has achieved a dual-buffer mechanism for bulk/synchronous endpoints in order to enhance the transfer efficiency. There is an internal DP pull-up resistance in the USBFS PHY to satisfy the needs of the devices.

24.2 USBFS clock and pin configuration

24.2.1 USB clock configuration

The USB full-speed device module interface has two clocks: USB control clock and APB1 bus clock. The USB full-speed device bus speed standard is $12\text{Mb/s} \pm 0.25\%$, so it is necessary to supply $48\text{MHz} \pm 0.25\%$ for the USBFS to implement USB bus sampling.

USBFS 48M clock has two sources:

- HICK 48M
When the HICK 48M clock is used as a USB control clock, it is recommended to enable ACC feature.
- Divided by PLL
The PLL output frequency must ensure that the USBDIV (see the CRM_CFG register) can be divided to 48MHz.

Note: The APB1 clock frequency must be greater than 12MHz when the USBFS is enabled.

24.2.2 USB pin configuration

When the USB module is enabled in the CRM, PA11 and PA12 can be multiplexed as DP/DM; PA8 can be multiplexed as SOF output and configured as a push-pull multiplexed output feature.

Pin	GPIO	Condition
USB_DM	PA11	USB module enabled in the CRM
USB_DP	PA12	USB module enabled in the CRM
USB_SOF	PA8	Optional. If the USB module is enabled in the CRM, the SOF output feature is enabled, and the PA8 can be configured as a push-pull multiplexed output.

24.3 USBFS functional description

24.3.1 USB initialization

After the USB module is enabled (enable USBFS clock in the CRM), it is necessary to initialize the USBFS prior to the host enumeration as follows:

1. Clear software set by setting CSRST = 0
2. Clear all status flags by setting INTSTS=0
3. Enable USB Core by setting DEVADDR.CEN=1
4. Configure interrupt enable bits
5. Enable USB PHY by setting CTRL.DISUSB=0

24.3.2 Endpoint configuration

The USBFS supports up to 8 bidirectional and 16 unidirectional endpoints (8 IN and 8 OUT). Each point has its corresponding USBFS endpoint n register (USBFS_EPTn) that is used to store the endpoint status. The endpoint configuration includes:

- Endpoint number (by configuring the EPTADDR, the endpoint number of each endpoint register is programmable)
- Transfer type (control transfer, bulk transfer, isochronous transfer and interrupt transfer)
- Buffer for IN/OUT endpoint (buffer allocation is described in the next section)
- IN/OUT Toggle status (correspond to DATA0/DATA1)
- IN/OUT status (VALID, NAK, STALL, DISABLE)

Note: Endpoint 0 acts as a control point by default. It is usually configured after receiving a reset signal sent by the host.

24.3.3 USB buffer

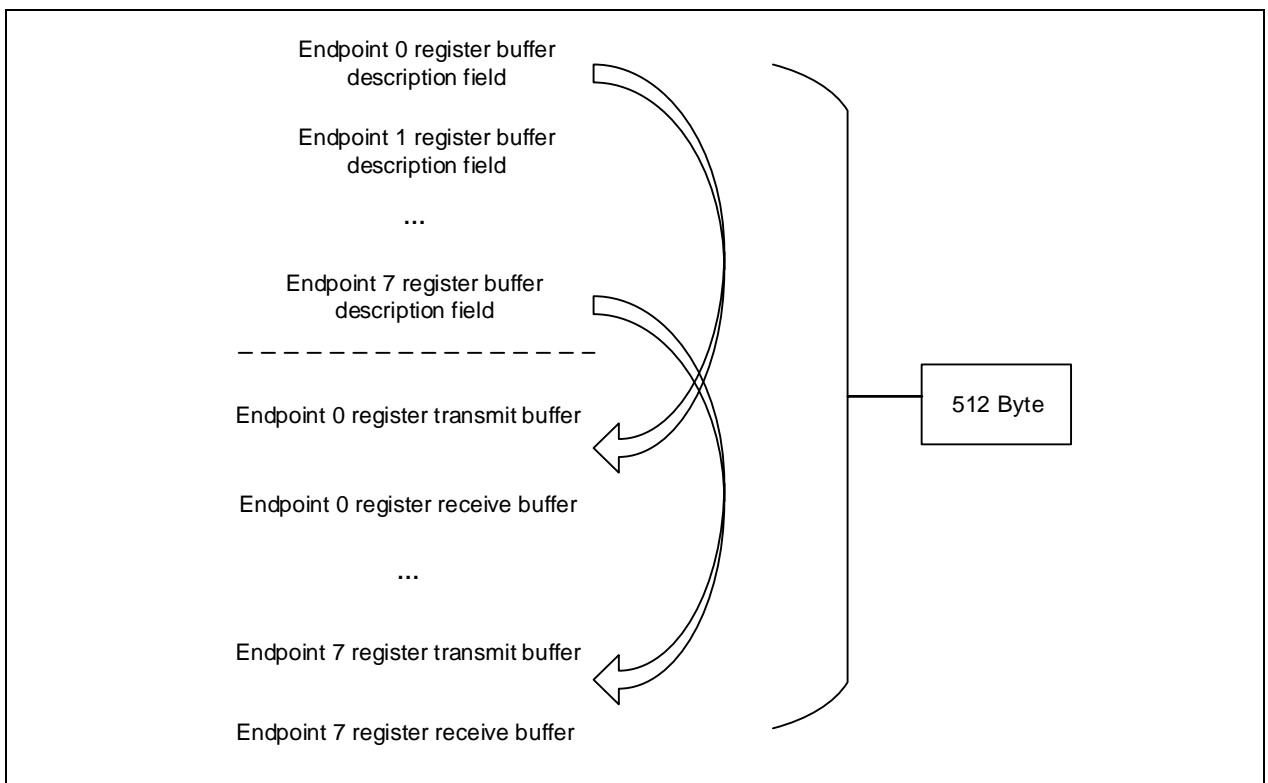
USB has a dual-port SRAM buffer for data transfer between endpoint and user application. Both the user application and the USBFS module can access to the buffer at the same time. The buffer size can be automatically adjusted according to the CAN status. Table 241 lists its mapping address and size.

Table 24-1 Buffer size configuration table

	USBBUFS	0	1			
Working conditions	CAN1 status	Enable/Disable	Disable	Disable	Enable	Enable
	CAN2 status	Enable/Disable	Disable	Enable	Disable	Enable
Buffer size		512 Byte	1280 Byte	1024 Byte	1024 Byte	768 Byte
Address range		0x4000 6000~ 0x4000 63FF	0x4000 7800~ 0x4000 81FF	0x4000 7800~ 0x4000 7FFF	0x4000 7800~ 0x4000 7FFF	0x4000 7800~ 0x4000 7DFF

The buffer is composed of the endpoint register buffer description field and the endpoint buffer. The endpoint register description table describes the offset address of endpoint receive/transmit. The figure below gives an example of a buffer structure (512 bytes)

Start address: 0x40006000



In the USBFS module, each endpoint register corresponds to a buffer description field, which is used to

describe the buffer and data length of the endpoint receive/transmit. The structure of a regular endpoint register buffer description field is shown as follows (dual buffer description table is detailed in the next section):

Endpoint n:

0	2	4	6	8	10	12	14
TnADDR	Reserved	TnLEN	Reserved	RnADDR	Reserved	RnLEN	Reserved
Transmit buffer description				Buffer receive description			

The start address of a buffer description field=buffer address + BTADDR*2. The user application puts the endpoint register buffer description in different locations according to specific needs. The BTADDR is by default 0.

The USBFS module contains 8 endpoint registers. Each endpoint register description table actually occupies 8 bytes. When programming, the user should reserve enough space for buffer description field according to the endpoint register used. While allocating transmit/receive buffer to the endpoint, the offset address is not allowed to occupy the buffer description and transmit/receive buffer of other endpoints.

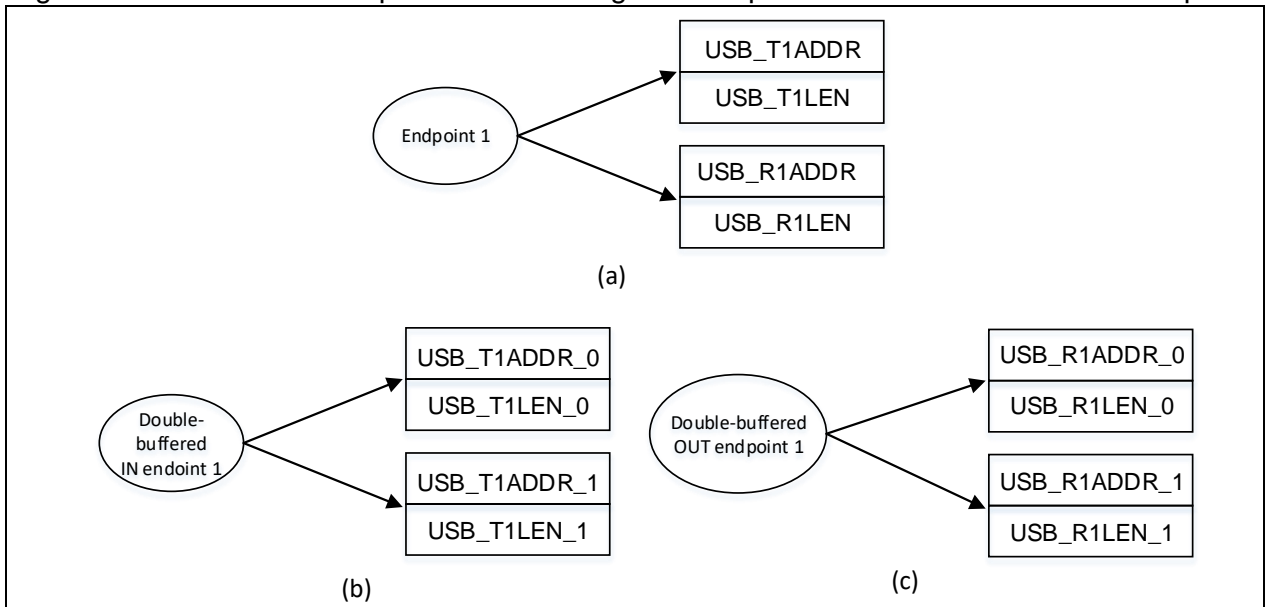
Note: The APB1 bus width is 32 bits, while the buffer is 16-bit wide memory, meaning that the APB1 bus can write only two-byte data to a packet buffer each time. For this reason, 8 consecutive write accesses are required when a 16-byte data is to be written.

24.3.4 Double-buffered endpoints

Double-buffered mode is designed in the USBFS module in order to increase the transaction rate of bulk transfer and isochronous transfer.

One IN endpoint (or OUT endpoint) corresponds to two buffers. Figure 24-1 shows the differences of buffer description table between regular endpoint and double-buffered endpoint.

Figure 24-1 Buffer description table of regular endpoint vs. double-buffered endpoint



Two endpoint transfer modes support double-buffered function:

- Bulk transfer endpoints

Enable double-buffered feature by setting TRANS_TPYE=00 and EXF=1

- Isochronous transfer endpoints

When TRANS_TPYE=10, double-buffered feature is enabled.

Two buffers are used to increase the transfer rate. The USBFS and the user application access to a different buffer at the same time so as to process data simultaneously. The USBFS and the user application must determine which one of the existing buffers is accessible, which can be done by the SBUF flag in the USBFS.

- Double-buffered OUT endpoints: SBUF corresponds to bit 6 in the USB_EPTn

SBUF=1, USBFS uses RnADDR_0 and RnLEN_0, while the user application uses RnADDR_1 and

RnLEN_1

SBUF=0, USBFS uses RnADDR_1 and RnLEN_1, while the user application uses RnADDR_0 and RnLEN_0

- Double-buffered IN endpoints: SBUF corresponds to bit 14 in the USB_EPTn

SBUF=1, USBFS uses TnADDR_0 and TnLEN_0, while the user application uses TnADDR_1 and TnLEN_1

SBUF=0, USBFS uses TnADDR_1 and TnLEN_1, while the user application uses TnADDR_0 and TnLEN_0

Note: Endpoint 0 cannot be used as a double-buffered endpoint.

24.3.5 SOF output

A SOF flag is generated when the USBFS receives a SOF sent by the host. Meanwhile, the current frame number can be read from the USBFS_SOFNUM register. By setting the SOFOUTEN bit in the USBFS_CFG register, a SOF pulse signal with a width of 24 APB1 clock cycles will be output onto the pin.

24.3.6 Suspend/Resume

The USB2.0 full-speed standard defines a low-power consumption state, called Suspend. In suspend mode, a suspend state is entered when the idle state is detected on the bus for more than 3ms. The USBFS can enter suspend state in two ways:

1. Detect the lack of three consecutive SOF packets
2. Control register SSP is set by the application

When the device detects the lack of three consecutive SOF packets, the SSP and LPM registers must be set by the application in order to disable SOF detection and the statistic power consumption of the USB physical transceiver.

Resume refers to a process when the USB device returns from a suspend state to a normal state. When the USB device is in suspend mode, any non-idle state (such as packet start signal SOF) of its upstream port can resume it. In addition, the USB device can also apply to activate resume operation by setting the GRESUME register, which is called a remote wakeup.

24.4 USBFS interrupts

Low-priority interrupts: interrupt vector number 20 and 74. When a high-priority interrupt is disabled, all the USBFS interrupts can be handled by low-priority interrupts.

High-priority interrupts: interrupt vector number 19 and 73. Only isochronous transfer and double-buffered bulk endpoints can trigger high-priority interrupts.

USB wakeup interrupts: interrupt vector number 42. While the USB enters a suspend state, the chip can be waken up by this interrupt after moving to Deep Sleep mode.

By default, the USBFS shares the interrupt vector number (19 and 20) with the CAN1, causing that the USBFS and CAN1 cannot be used at the same time. For this reason, new interrupt vector numbers (73 and 74) are created. The user application can map the USBFS interrupt vector numbers to 73 and 74 by setting the USBINTMAP bit in the CRM_INTMAP register.

24.5 USBFS registers

These peripheral registers must be accessed by words (32 bits).

Table 24-2 USBFS register map and reset values

Register	Offset	Reset value
USBFS_EPT0	0x00	0x0000
USBFS_EPT1	0x04	0x0000
USBFS_EPT2	0x008	0x0000
USBFS_EPT3	0x00C	0x0000

USBFS_EPT4	0x10	0x0000
USBFS_EPT5	0x14	0x0000
USBFS_EPT6	0x18	0x0000
USBFS_EPT7	0x1C	0x0000
USBFS_CTRL	0x40	0x0003
USBFS_INTSTS	0x44	0x0000
USBFS_SOFRNUM	0x48	0x0XXX
USBFS_DEVADDR	0x4C	0x0000
USBFS_BUFTBL	0x50	0x0000
USBFS_CFG	0x60	0x0000
USBFS_TnADDR	[USB_BUFTBL] x 2 + n x 16	0xFFFF
USBFS_TnLEN	[USB_BUFTBL] x 2 + n x 16 + 4	0xFFFF
USBFS_RnADDR	[USB_BUFTBL] x 2 + n x 16 + 8	0xFFFF
USBFS_RnLEN	[USB_BTABLE] x 2 + n x 16 + 12	0xFFFF

24.5.1 USBFS endpoint n register (USBFS_EPTn), n=[0..7]

Bit	Register	Reset value	Type	Description
Bit 15	RXTC	0x0	rw0c	Rx transaction completed This bit is set when an OUT/SETUP transaction is completed, indicating that Rx transaction is complete. 0: Software clears this bit 1: OUT/SETUP transaction is completed.
Bit 14	RXDTS	0x0	tog	Rx Data Toggle (DATA0/DATA1) Synchronization This is not ISO transfer. This bit indicates that the current transaction is DATA0/DATA1. 0: DATA0 1: DATA1
Bit 13: 12	RXSTS	0x0	tog	Rx Status This field indicates the endpoint status in response to the OUT transaction of the host. There are four states: DISABLE, NAK, STALL and ACK. 00: DISABLED, endpoint ignores all reception requests. 01: STALL, endpoint responds to all reception requests with STALL packets 10: NAK, endpoint responds to all reception requests with NAK packets 11: VALID, endpoint can be used for reception
Bit 11	SETUPTC	0x0	rog	Setup transaction completed When the RXTC is set, this bit is used to determine whether OUT/SETUP transaction is completed. 0: OUT transaction is completed 1: SETUP transaction is completed
Bit 10: 9	TRANS_TYPE	0x0	rw	Transfer type This field defines four types of USB transfers: Control, Bulk, Interrupt and ISO. 00: BULK endpoint, can work with EXF bit register 01: CTRL endpoint, can work iwth EXF bit register 10: ISO endpoint 11: INT endpoint
Bit 8	EXF	0x0	rw	Endpoint Extend function

				USB endpoint extend function is used for Bulk and Control transfers. For Bulk transfer, this bit is set to indicate that double-buffered is enabled. For Control transfer, if this bit is set, it detects whether the data length in the SETUP transaction is 0 or not, a STALL is returned if the value is not 0.
Bit 7	TXTC	0x0	rw0c	<p>Tx transaction completed</p> <p>This bit is set when IN transaction is completed, indicating that Tx transaction is completed.</p> <p>0: Software clears Tx transaction complete flag 1: IN transaction reception is completed</p>
Bit 6	TXDTS	0x0	tog	<p>Tx Data Toggle (DAT0/DATA1) Synchronization</p> <p>This is non-ISO endpoint, indicating that the current IN transaction is DATA0/DATA1.</p> <p>0: DATA0 1: DATA1</p>
Bit 5: 4	TXSTS	0x0	tog	<p>Tx Status</p> <p>This field indicates the endpoint status in response to the IN transaction of the host. There are four states: DISABLE, NAK, STALL, ACK.</p> <p>00: DISABLED, endpoint ignores all transmission requests. 01: STALL, endpoint responds to all transmission requests with STALL packets 10: NAK, endpoint responds to all transmission requests with NAK packets 11: VALID, endpoint can be used for transmission</p>
Bit 3: 0	EPTADDR	0x0	rw	Endpoint address

24.5.2 USBFS control register (USBFS_CTRL)

Bit	Register	Reset value	Type	Description
Bit 15	TCIEN	0x0	rw	<p>Transmission complete interrupt enable</p> <p>0: Disabled 1: Enabled</p>
Bit 14	UCFORIEN	0x0	rw	<p>USB Core fifo overrun interrupt enable</p> <p>0: Disabled 1: Enabled</p>
Bit 13	BEIEN	0x0	rw	<p>Bus error interrupt enable</p> <p>0: Disabled 1: Enabled</p>
Bit 12	WKIEN	0x0	rw	<p>Wakeup/Remote wakeup interrupt enable</p> <p>0: Disabled 1: Enabled.</p>
Bit 11	SPIEN	0x0	rw	<p>Bus suspend interrupt enable</p> <p>0: Disabled 1: Enabled</p>
Bit 10	RSTIEN	0x0	rw	<p>Bus reset interrupt enable</p> <p>0: Disabled 1: Enabled</p>
Bit 9	SOFIEN	0x0	rw	<p>Start of frame interrupt enable</p> <p>0: Disabled 1: Enabled</p>
Bit 8	LSOFIEN	0x0	rw	<p>Lost start of frame interrupt enable</p> <p>0: Disabled 1: Enabled</p>

Bit 7: 5	Reserved	0x0	resd	Kept at its default value.
Bit 4	GRESUME	0x0	rw	<p>Generate Resume request</p> <p>In suspend mode, the software can set this bit to send a resume signal to the host in order to wake up it. It must be cleared between 10ms and 15ms.</p>
Bit 3	SSP	0x0	rw	<p>Software suspend config</p> <p>This bit is set by software when a suspend flag is detected. When exiting suspend state, this bit must be cleared by software.</p> <p>0: Software leaves suspend mode 1: Software enters suspend mode</p>
Bit 2	LPM	0x0	rw	<p>Low power mode</p> <p>While entering suspend mode, this bit can be set to reduce power consumption. It is cleared automatically when the USB Core is waken up.</p> <p>0: No low-power mode 1: Low-power mode</p>
Bit 1	DISUSB	0x1	rw	<p>Disable USB PHY</p> <p>0: USB PHY enabled 1: USB PHY disabled</p>
Bit 0	CSRST	0x1	rw	<p>Core soft Reset</p> <p>0: Software clears reset 1: Software resets usb core, and a reset interrupt is generate.</p>

24.5.3 USBFS interrupt status register (USBFS_INTSTS)

Bit	Register	Reset value	Type	Description
Bit 15	TC	0x0	ro	<p>Transaction completed</p> <p>0: Reset value 1: This bit is set to indicate that the USB has successfully completed one IN/OUT transaction</p>
Bit 14	UCFOR	0x0	rw0c	<p>USB Core fifo overrun</p> <p>0: Reset value 1: USB Core fifo overrun</p>
Bit 13	BE	0x0	rw0c	<p>Bus error</p> <p>0: Reset value 1: Bus error detected, such as, CRC check error, bit-stuffing error, Answer timeout error and frame format error.</p>
Bit 12	WK	0x0	rw0c	<p>Wakeup</p> <p>0: Reset value 1: A wakeup signal is received when the USB is in suspend state.</p>
Bit 11	SP	0x0	rw0c	<p>Bus Suspend</p> <p>0: Reset value 1: No data transfer has been received for 3ms, and the bus enters suspend state.</p>
Bit 10	RST	0x0	rw0c	<p>Bus reset</p> <p>0: Reset value 1: A USB reset signal was detected on the bus.</p>
Bit 9	SOF	0x0	rw0c	<p>Start of frame</p> <p>0: Reset value 1: This bit is set to indicate that a SOF transaction arrives through the bus.</p>
Bit 8	LSOF	0x0	rw0c	<p>Lost start of frame</p> <p>0: Reset value</p>

				1: No SOF has been received for more than 1ms.
Bit 7: 5	Reserved	0x0	resd	Kept at its default value.
Bit 4	INOUT	0x0	ro	IN/Out transaction When TC complete interrupt is generated, this bit is used to indicate whether IN/OUT transaction has been completed. 0: IN transaction 1: OUT transaction
Bit 3: 0	EPT_NUM	0x0	ro	Endpoint number When TC complete interrupt is generated, this bit is used to indicate which endpoint transfer has been completed successfully.

24.5.4 USBFS SOF frame number register (USBFS_SOFRNUM)

Bit	Register	Reset value	Type	Description
Bit 15	DPSTS	0x0	ro	D+ status Indicates D+ status
Bit 14	DMSTS	0x0	ro	D- status Indicates D- status
Bit 13	CLCK	0x0	ro	Connect Locked This bit is set when two consecutive SOF packets have been received.
Bit 12: 11	LSOFNUM	0x0	ro	Lost SOF number After LSOF, this bit indicates the number of SOF packet lost. It is cleared by hardware at the reception of an SOF transaction.
Bit 10: 0	SOFNUM	0xXXX	ro	Start of Frame number Indicates the current SOF frame number.

24.5.5 USBFS device address register (USBFS_DEVADDR)

Bit	Register	Reset value	Type	Description
	Reserved	0x0		Kept at its default value
	CEN	0x0		USB Core Enable 0: USB Core disabled 1: USB Core enabled
	ADDR	0x0		Host assign Device address These bits contain the device address assigned by the host during the enumeration process.

24.5.6 USBFS buffer table address register (USBFS_BUFTBL)

Bit	Register	Reset value	Type	Description
Bit 15: 3	BTADDR	0x0000	rw	Endpoint buffer table start address This field indicates the start address of the buffer description table. It is 0 by default.
Bit 2: 0	Reserved	0x0	resd	Forced to 0 by hardware.

24.5.7 USBFS CFG control register (USBFS_CFG)

Bit	Register	Reset value	Type	Description
Bit 15: 2	Reserved	0x0000	resd	Kept at its default value.

Bit 1	PUO	0x0	rw	DP pull-up off 0: DP pull-up resistance enabled 1: DP pull-up resistance disabled
Bit 0	SOFOUTEN	0x0	rw	SOF output enable 0: No SOF pulse output 1: SOF pulse output to the pin

24.5.8 USBFS transmission buffer first address register (USBFS_TnADDR)

Bit	Register	Reset value	Type	Description
Bit 15: 1	TnADDR	0xFFFF	rw	Transmission buffer first address This field indicates the start address of the buffer where data is to be transmitted at the reception of the next IN transaction request..
Bit 0	Reserved	0x0	resd	This bit must be 0 since the address of the packet buffer must be word-aligned.

24.5.9 USBFS transmission data length register (USBFS_TnLEN)

Bit	Register	Reset value	Type	Description
Bit 15: 10	Reserved	0xFF	resd	Kept at its default value. Transmission length
Bit 9: 0	TnLEN	0xFFFF	rw	This field contains the number of data bytes to be transferred at the reception of the next IN transaction request.

24.5.10 USBFS reception buffer first address register (USBFS_RnADDR)

Bit	Register	Reset value	Type	Description
Bit 15: 1	RnADDR	0xFFFF	rw	Reception buffer first address This field indicates the start address of the buffer where data is to be received at the reception of the next OUT/SETUP transaction request..
Bit 0	Reserved	0x0	resd	This bit must be 0 since the address of the packet buffer must be word-aligned.

24.5.11 USBFS reception data length register (USBFS_RnLEN)

Bit	Register	Reset value	Type	Description
Bit 15	BSIZE	0xX	rw	Block size This bit indicates the size of the reception buffer of the current endpoint. If BSIZE=0, the block size is 2 byte large, and the size of the packet buffer ranges from 2 to 62 bytes. If BSIZE=1, the block size is 32 byte large, and the size of the packet buffer ranges from 32 to 1024 bytes.
Bit 14: 10	NBLK	0xFF	rw	Number of blocks This field defines the number of blocks allocated to the current endpoint reception buffer.
Bit 9: 0	RnLEN	0xFFFF	rw	Reception Length This field defines the data length received by the endpoint.

25 HICK auto clock calibration (ACC)

25.1 ACC introduction

HICK auto clock calibration (HICK ACC), which uses the SOF signal (1 ms of period) generated as a reference signal, implements the sampling and calibration for the HICK clocks.

The main pupose of this module is to provide a clock of 48MHz±0.25% for the USB device.

It is able to make the calibrated frequency as close to the target frequency as possible by means of “cross and return” algorithm.

25.2 Main features

- Programmable center frequency
- Programmable boundary frequency that triggers calibration function
- Center frequency precision ±0.25%
- Status detection flags
 - Calibration ready flag
- Error detection flags
 - Reference signal lost error flag
- Two interrupt source flag
 - Calibration ready flag
 - Reference signal lost error flag
- Two calibration modes: coarse calibration and fine calibration

25.3 Interrupt requests

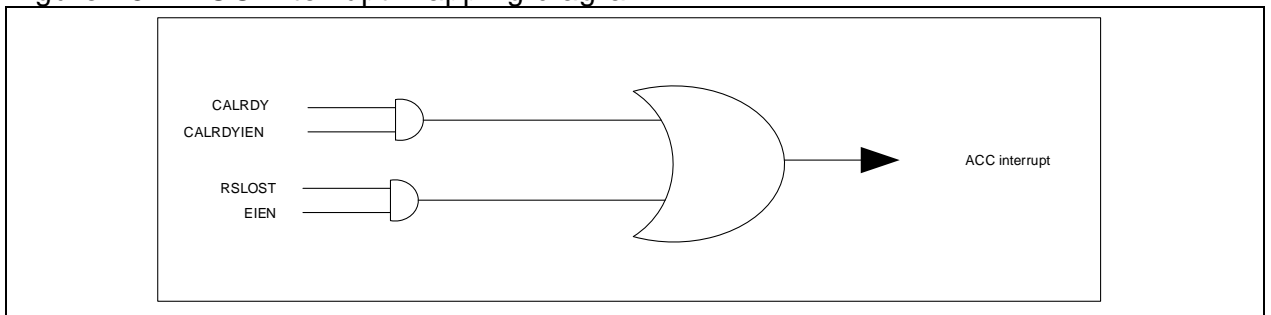
Table 25-1 ACC interrupt requests

Interrupt event	Event flag	Enable bit
Calibration ready	CALRDY	CALRDYIEN
Reference signal lost	RSLOST	EIEN

ACC interrupt events are linked to the same interrupt vector (see Figure 25-1). Interrupt events include:

- During calibration process: When the calibration gets ready or reference signal lost occurs, the corresponding interrupt will be generated if the corresponding enable bit is enabled.

Figure 25-1 ACC interrupt mapping diagram



25.4 Functional description

Auto clock calibration (HICK ACC), which uses the SOF signal (1 ms of period) generated as a reference signal, implements the sampling and calibration for the HICK clocks. In particular, the HICK clock frequency can be calibrated to a precision of $\pm 0.25\%$ so as to meet the needs of the high-precision clock applications such as USB.

The signals of the module are connected to the CRM and HICK inside the microcontroller instead of being connected to the pins externally.

- CRM_HICKCAL: the HICKCAL bit in the CRM module. This signal is used to calibrate the HICK in bypass mode. The value is defined by the HICKCAL[7: 0] in the CRM_CTRL register.

- CRM_HICKTRIM: the HICKTRIM bit in the CRM module. This signal is used to calibrate the HICK in bypass mode. The value is defined by the HICKTRIM[5: 0] in the CRM_CTRL register.

The default value of the HICK is 32, which can be calibrated to $8\text{MHz} \pm 0.25\%$. The HICK frequency can be adjusted by 20kHz (design value) each time when the CRM_HICKTRIM value changes. In other words, the HICK output frequency will increase by 20kHz each time the CRM_HICKTRIM value is decremented by one; the HICK output frequency will reduce by 20kHz each time the CRM_HICKTRIM value is incremented by one.

- USB_SOF: USB Start-of-Frame signal given by the USB device. Its high-level width is 12 system clock cycles, a pulse signal of 1 ms.

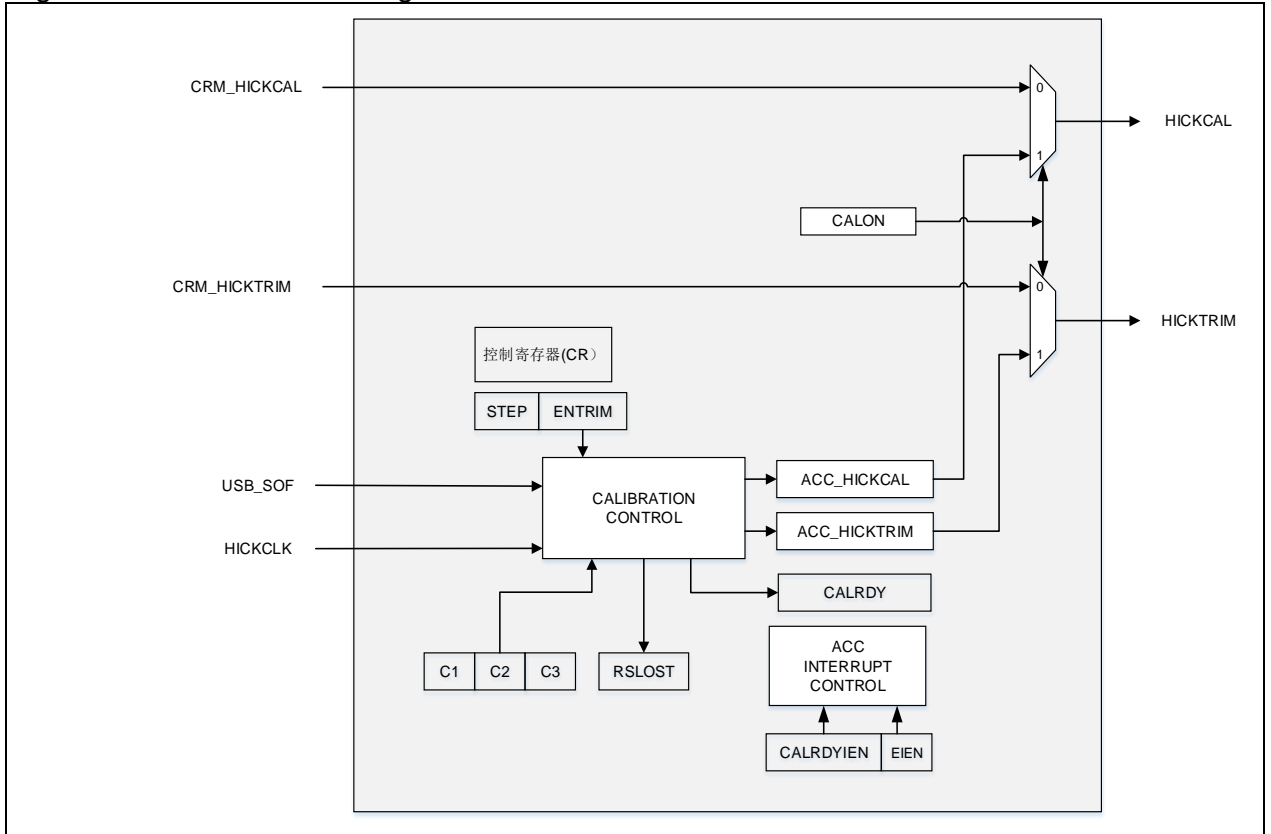
- HICKCLK: HICK clock. The original HICK output frequency is 48MHz, but the sampling clock used by the HICK calibration module is frequency divider (1/6) clock, about 8MHz.

- HICKCAL: HICK module calibration signal. For the HICK clock after frequency division (1/6), the HICK clock frequency will change by 40KHz (design value) each time the HICKCAL changes, which is positively correlated. In other words, the HICK clock frequency will increase by 40KHz (design value) each time the HICKCAL is incremented by one; the HICK clock frequency will reduce by 40KHz each time the HICKCAL is decremented by one.

- HICKTRIM: HICK module calibration signal. For the HICK clock after frequency division (1/6), the HICK clock frequency will change by 20KHz (design value) each time the HICKCAL changes, which is positively correlated.

Refer to Section 25.6 for more information about the bit definition in the registers.

Figure 25-2 ACC block diagram

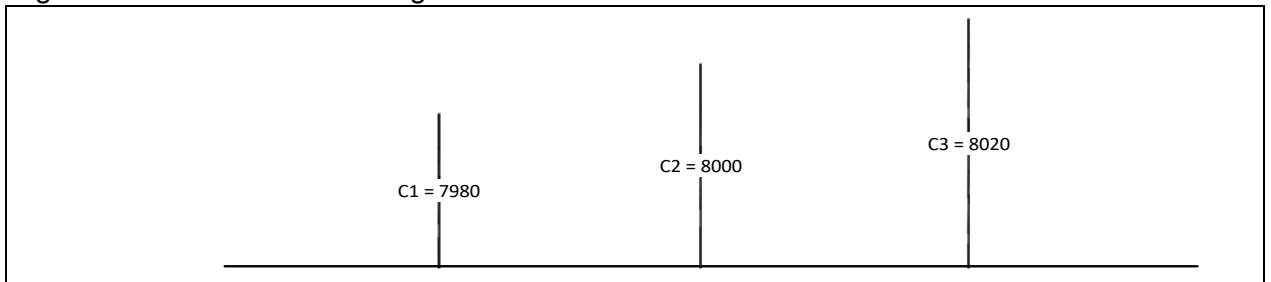


25.5 Principle

USB_SOF period signal: 1 ms of period must be accurate, which is a prerequisite of the normal operation of an auto calibration module.

cross-return algorithm: This is used to calculate a calibration value closest to the theoretic value. In theory, the actual frequency after calibration can be adjusted to be within an accuracy range of about 0.5 steps from the target frequency (8MHz)

Figure 25-3 Cross-return algorithm



From the above figure, auto calibration function will adjust the HICKCAL or HICKTRIM according to the specified step as soon as the condition for triggering auto calibration is reached.

Cross:

If the auto calibration condition is met, the actual sampling data in the first 1 ms period will be either less than C2, or greater than C2.

When this value is less than C2, the auto calibration module will start increasing either the HICKCAL or HICKTRIM according to the step definition until the actual sampling value is greater than C2. In this way, the actual value will cross over C2 from small to large.

When this value is greater than C2, the auto calibration module will start decrease either the HICKCAL or HICKTRIM according to the step definition until the actual sampling value become less than C1. In this way, the actual value will cross over C2 from large to small.

Return:

After cross operation is completed, the actual value closest to C2 can be obtained by comparing the difference (calculated as absolute value) between the actual sampling value and C2 before and after crossing C2 so as to get the best calibration value HICKCAL or HICKTRIM.

If the difference after crossing is less than the one before crossing C2, the calibration value after crossing prevails, and stops the calibration process until the next condition for auto calibration appears.

If the difference after crossing is greater than the one before crossing C2, the calibration value before crossing prevails, and it will return by one step to the one before crossing, and stops the calibration process until the next condition for auto calibration appears.

According to the cross-return strategy, in theory, it is possible to get the frequency accuracy that is 0.5 steps away from the center frequency.

Four conditions for enabling auto calibration function are as follows:

1. The rising edge of the CANLON (from 0 to 1)
2. When CALON=1, reference signal is lost and restored
3. When the sample counter is less than C1
4. When the sample counter is greater than C3

Even though the sampling counter is between C1 and C3, at the rising edge the CANLON, the auto calibration module can also be activated so that the HICK frequency can be adjusted to be within a range of 0.5 steps of the center frequency as soon as the CANLON is enabled.

Under one of the above-mentioned circumstances, the HICK frequency can be calibrated to be within 0.5 steps of the center frequency. To achieve the best calibration accuracy, it is recommended to remain step as 1 (default value). If the step is set to 0, either HICKCAL or HICKTRIM will not be able to be calibrated.

25.6 Register description

Refer to the list of abbreviations used in register descriptions.

These peripheral registers must be accessed by words (32 bits).

Table 25-2 ACC register map and reset values

Register	Offset	Reset value
ACC_STS	0x00	0x0000 000
ACC_CTRL1	0x0C	0x0000 0100
ACC_CTRL2	0x0C	0x0000 2080
ACC_C1	0x0C	0x0000 1F2C
ACC_C2	0x10	0x0000 1F40
ACC_C3	0x14	0x00000 1F54

25.6.1 Status register (ACC_STS)

Bit	Register	Reset value	Type	Description
Bit 31: 2	Reserved	0x0000000	resd	Kept at its default value.
				Reference Signal Lost 0: Reference Signal is not lost 1: Reference Signal is lost Note: During the calibration, when the sample counter of the calibration module is twice that of C2, if a SOF reference signal is not detected, it means that the reference signal is lost. The internal statue machine will move to the idle state unless another SOF signal is detected, otherwise, the internal clock sample counter remains 0. The RSLOST bit is immediately cleared after the CALON bit is cleared or when the RSLOST is written with 0. Reference signal detection occurs only when
Bit 1	RSLOST	0x0	ro	

				CALON=1.
				Internal high-speed clock calibration ready
				0: Internal 8MHz oscillator calibration is not ready
				1: Internal 8MHz oscillator calibration is ready
Bit 0	CALRDY	0x0	ro	Note: This bit is set by hardware to indicate that internal 8MHz oscillator has been calibrated to the frequency closest to 8MHz. The CALRDY is immediately cleared after the CALON bit is cleared or when the CALRDY is written with 0.

25.6.2 Control register 1 (ACC_CTRL1)

Bit	Register	Reset value	Type	Description
Bit 31: 12	Reserved	0x00000	resd	Forced by hardware to 0
				Calibrated step
				This field defines the value after each calibration.
				Note: It is recommended to set the step bit in order to get a more accurate calibration result. While ENTRIM=0, only the HICKCAL is calibrated. If the step is incremented or decremented by one, the HICKCAL will be incremented or decremented by one accordingly, and the HICK frequency will increase or decrease by 40KHz (design value). This is a positive relationship.
Bit 11: 8	STEP	0x1	rw	While ENTRIM=1, only the HICKTRIM is calibrated. If the step is incremented or decremented by one, the HICKTRIM will be incremented or decremented by one accordingly, and the HICK frequency will increase or decrease by 20KHz (design value). This is a positive relationship.
Bit 7: 6	Reserved	0x0	rw	Forced by hardware to 0
				CALRDY interrupt enable
				This bit is set or cleared by software.
Bit 5	CALRDYIEN	0x0	rw	0: Interrupt generation disabled 1: ACC interrupt is generated when CALRDY=1 in the ACC_STS register
				RSLOST error interrupt enable
				This bit is set or cleared by software.
Bit 4	EIEN	0x0	rw	0: Interrupt generation disabled 1: ACC interrupt is generated when RSLOST=1 in the ACC_STS register
Bit 3: 2	Reserved	0x0	rw	Forced by hardware to 0
				Enable trim
				This bit is set or cleared by software.
Bit 1	ENTRIM	0x0	rw	0: HICKCAL is calibrated. 1: HICKTRIM is calibrated. Note: It is recommended to set ENTRIM=1 in order to get higher calibration accuracy.
				Calibration on
				This bit is set or cleared by software.
				0: Calibration disabled
				1: Calibration enabled, and starts searching for a pulse on the USB_SOF.
Bit 0	CALON	0x0	rw	Note: This module cannot be used without the USB_SOF reference signal. If there are no requirements on the accuracy of the HICK clock, it is unnecessary to enable this module.

25.6.3 Control register 2 (ACC_CTRL2)

Bit	Register	Reset value	Type	Description
Bit 31: 14	Reserved	0x00000	resd	Forced to 0 by hardware
Bit 13: 8	HICKTRIM	0x20	ro	<p>Internal high-speed auto clock trimming</p> <p>This field is read only, but not written.</p> <p>Internal high-speed clock is adjusted by ACC module, which is added to the ACC_HICKCAL[7: 0] bit. These bits allow the users to input a trimming value to adjust the frequency of the HICKRC oscillator according to the variations in voltage and temperature.</p> <p>The default value is 32, which can trim the HICK to $8\text{MHz} \pm 0.25$. The trimming value is 20kHz (design value) between two consecutive ACC_HICKTRIM steps.</p>
Bit 7: 0	HICKCAL	0x80	ro	<p>Internal high-speed auto clock calibration</p> <p>This field is read only, but not written.</p> <p>Internal high-speed clock is adjusted by ACC module. These bits allow the users to input a trimming value to adjust the frequency of the HICKPC oscillator according to the variations in voltage and temperature.</p> <p>The default value is 128, which can trim the HICK to $8\text{MHz} \pm 0.25$. The trimming value is 40kHz (design value) between two consecutive ACC_HICKCAL steps.</p>

25.6.4 Compare value 1 (ACC_C1)

Bit	Register	Reset value	Type	Description
Bit 31: 16	Reserved	0x0000	resd	Forced to 0 by hardware
Bit 15: 0	C1	0x1F2C	rw	<p>Compare 1</p> <p>This value is the lower boundary for triggering calibration, and its default value is 7980. When the number of clocks sampled by ACC in 1ms period is less than or equal to C1, auto calibration is triggered automatically.</p> <p>When the actual sampling value (number of clocks in 1ms) is greater than C1 but less than C3, auto calibration is not enabled.</p>

25.6.5 Compare value 2 (ACC_C2)

Bit	Register	Reset value	Type	Description
Bit 31: 16	Reserved	0x0000	resd	Forced to 0 by hardware
Bit 15: 0	C2	0x1F40	rw	<p>Compare 2</p> <p>This value defines the number of clocks sampled for 8MHz (ideal frequency) clock in 1ms period, and its default value is 8000 (theoretical value)</p> <p>As a center point of cross-return strategy, this value is used to calculate the calibration value closest to the theoretical value. In theory, the actual frequency after calibration can be trimmed to be within an accuracy of 0.5 steps from the target frequency (8MHz)</p>

25.6.6 Compare value 3 (ACC_C3)

Bit	Register	Reset value	Type	Description
Bit 31: 16	Reserved	0x0000	resd	Forced to 0 by hardware
Bit 15: 0	C3	0x1F54	rw	<p>Compare 3</p> <p>This value is the upper boundary for triggering calibration. When the number of clock sampled by ACC in 1ms period is greater than or equal to C3, auto calibration is triggered automatically.</p> <p>When the actual sampling value (number of clocks in 1ms period) is greater than C1 but less than C3, auto calibration is not enabled.</p>

26 Ethernet media access control (EMAC)

This module applies only to AT32F407 series, not including AT32F403A series.

26.1 EMAC introduction

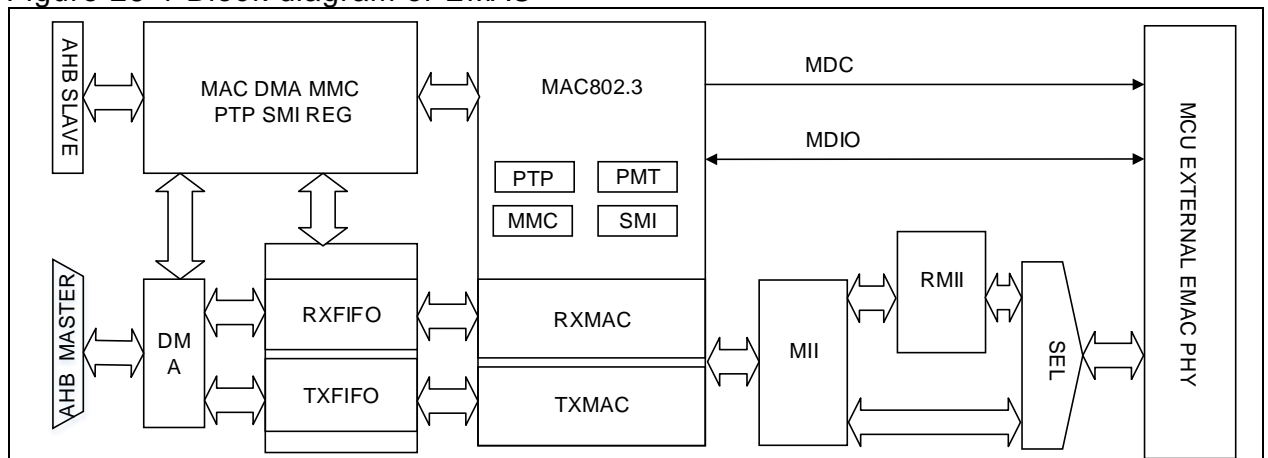
Copyright Synopsys, Inc. All rights reserved.

The Ethernet peripheral enables the AT32F407 to transmit and receive data (10/100Mbps) through Ethernet in compliance with IEEE 802.3-2002 standard.

The AT32F407 Ethernet peripheral supports two standard interfaces to the external PHY: media independent interface (MII) defined in the IEEE 802.3 standard and the reduced media independent interface (RMII).

26.1.1 EMAC structure

Figure 26-1 Block diagram of EMAC



26.1.2 EMAC main features

The Ethernet peripheral contains an EMAC core and a DMA controller. The transmission and reception of the frame is scheduled by DMA.

DMA features

- Programmable AHB burst transfer types
- Supports ring or chained descriptor
- Each descriptor can transfer up to 8 KB of data
- Poll or fixed-priority arbitration between transmission and reception
- Programmable interrupts for different operational conditions
- Status information report for each transfer

EMAC Core features

- Supports 10/100Mbps data transfer rates
- IEEE 802.3-compliant MII interface to communicate with an external high-speed Ethernet PHY
- Supports flow control for full-duplex operation, and CSMA/CD protocol for half-duplex operations
- Automatic CRC and pad generation controllable on transmission frames
- Automatically remove pad bits/CRC on reception frames
- Programmable frame length up to 16 KB
- Programmable frame gap (40-96 bits)
- Supports a variety of address filtering modes and promiscuous modes
- Supports IEEE 802.1Q VLAN tag detection for reception frames
- Supports mandatory network statistics with RMON/MIB counters (RFC2819/RFC2665)
- Detection of LAN remote wakeup frames and AMD Magic Packet™ frames

- Supports checking IPv4 header checksum and IPv4, TCP, UDP or ICMP (packaged in IPv4 or IPv6 data formats) checksum
- Supports Ethernet frame time stamp as defined in IEEE 1588-2008. 64-bit time stamps are recorded in the transmit or receive status
- Two 2KB FIFOs: one for transmit, and one for receive with a configurable threshold
- Filter received error frames and not forward them to the application in store-forward mode
- Supports store-forward mechanism for data transfer to the MAC controller
- Discard frames on late collision, excessive collisions, excessive deferral and underflow conditions
- Clear FIFO by software
- Calculates and inserts IPv4 header checksum and TCP, UDP or ICMP checksum in frames transmitted in store-forward mode
- Supports loopback mode on the MII interface for debugging
- Programmable time stamps of receive and transmit frames as defined in IEEE 1588-2008 standard
- Supports two correction methods: coarse and fine correction
- Second pulse output (programmable)
- Trigger interrupts when the the system is greater the specified time

26.2 EMAC functional description

The Ethernet peripheral consists of a MAC 802.3 (media access controller), MII interface and a dedicated DMA controller.

It implements the following functions:

- Data transmit and receive
 - Framing (frame boundary and frame synchronization)
 - Handling of source and destination addresses
 - Error detection
- Media access management in half-duplex mode
 - Medium allocation (avoid collision)
 - Collision resolve (handle collision)

Usually there are two operating modes for the MAC sublayer:

- Half-duplex mode: The stations compete for the use of the physical medium using the CSMA/CD algorithm. Two stations can only communicate in a single transfer direction at the same time.
- Full-duplex mode: CSMA/CD algorithm is unnecessary, but the following conditions must be met:
 - Physical medium supports simultaneous transmission and reception
 - Only two stations connected to the LAN
 - Both two stations configured as full-duplex mode

26.2.1 EMAC communication interfaces

The EMAC allows to configure the station management interface (SMI) of PHY, media-independent interface (MII) for Ethernet frame communication, and reduced media-independent interface RMII.

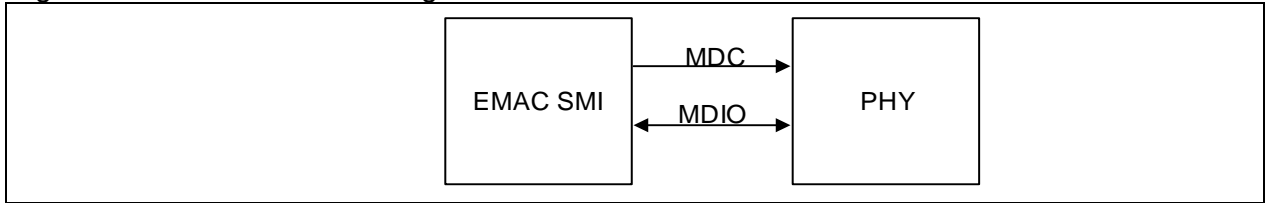
Station management interface (SMI)

The PHY management interface (SMI) accesses PHY registers through a clock and data line. It supports up to 32 PHYs.

MDC: PHY configures clock signals, at the maximum frequency of 2.5 MHz. The minimum high and low times for MDC must be 160ns, and the minimum period is 400ns. In idle state, the MDC clock signal remains low.

MDIO: Bidirectional port, data input/output lines.

Figure 26-2 SMI interface signals



Before write operation, PHY address, MII register and EMAC_MACMIIDT register must be configured first, followed by the MII MW and MB bits, and then the SMI interface will transfer the PHY address, PHY register address and data to the PHY. During the transaction, the contents of the EMAC_MACMIADDR and the EMAC_MACMIIDT registers are not allowed to change.

Before read operation, the PHY address and MII register must be configured first, and then the MB bit is set and MW bit is set to 0 in the EMAC_MACMIADDR register.

The SMI interface sends the PHY address and PHY register address, and then starts reading the PHY register contents. During the transaction, the MB bit is always set. It is cleared by the SMI interface at the end of read operation. Attention should be paid to the fact that the contents of the EMAC_MACMIADDR and EMAC_MACMIIDT registers are not allowed to change (The application should not change these register contents. After the transaction, the EMAC_MACMIIDT register is automatically updated with the data read from the SMI)

The SMI clock source is a divided AHB clock. The divide factor depends on the AHB clock frequency. Note that the divide factor must be configured correctly since the MDC frequency must not be greater than 2.5MHz.

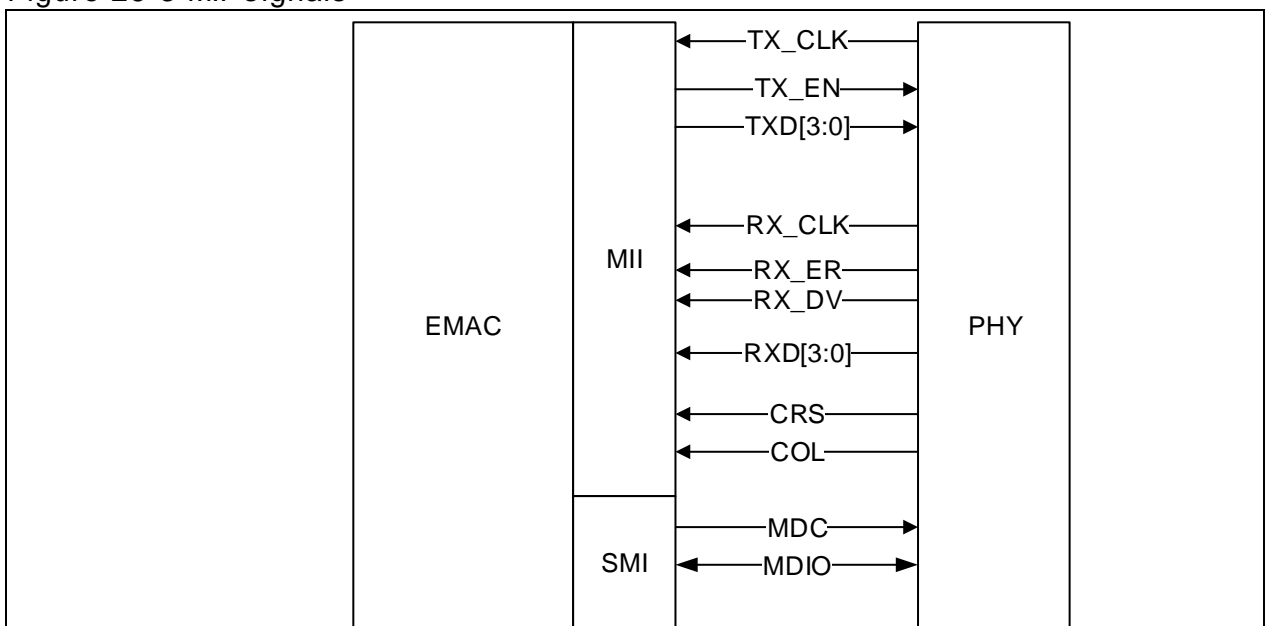
Table 26-1 shows the clock range.

Selection bit	AHB clock	MDC clock
0000	60~100MHz	AHB clock/42
0001	100~150MHz	AHB clock/62
0010	20~35MHz	AHB clock/16
0011	35~60MHz	AHB clock/26
0100	150~240MHz	AHB clock/102
0101,0110,0111	Reserved	—

Media-independent interface: MII

The media-independent interface (MII) acts an interconnection between the MAC sublayer and the PHY for data transfer at 10Mbit/s and 100Mbit/s.

Figure 26-3 MII signals



MII_TX_CLK: Transmit data clock signal. This clock is 2.5MHz at 10Mbps speed; 25MHz at 100Mbps speed.

MII_RX_CLK: Receive data clock signal. This clock is 2.5MHz at 10Mbps speed; 25MHz at 100Mbps speed.

MII_TX_EN: Transmit enable signal. It must be set synchronously with the start bit of the preamble, and must remain asserted until all bits to be transmitted are transmitted.

MII_TXD[3: 0]: Transmit data. 4-bit data are transmitted each time synchronously. Data is valid when the MII_TX_EN signal is active. The MII_TXD[0] is the least significant bit while the MII_TXD[3] is the most significant bit.

MII_CRD: carrier sense signal defined in the CSMA/CD. It is controlled by the PHY and can be valid only in half-duplex mode. This signal is active when either the transmit or receive medium is not idle. The PHY must ensure that the MII_CS signal remains active throughout the duration of a collision condition. This signal is not required to be synchronized with the TX and RX clocks.

MII_COL: Collision detection signal defined in CSMA/CD. It is controlled by the PHY and can be valid only in half-duplex mode. This signal is enabled upon detection of a collision on the medium and will remain enabled during the duration of the collision. This signal is not required to be synchronized with the TX and RX clocks.

MII_RXD[3: 0]: It is controlled by the PHY. Four-bit data to be received are transmitted synchronously. Data is valid when the MII_RX_DV signal is active. The MII_RXD[0] is the least significant bit, while the MII_RXD[3] is the most significant bit. While the MII_RX_DV is inactive but the MII_RX_ER is active, the PHY will transmit a specific MII_RXD[3: 0] value to indicate specific information.

MII_RX_DV: Receive data valid signal. It is controlled by the PHY. This signal is valid when the PHY has kept data on the MII for reception. It must be enabled synchronously with the first bit (MII_RX_CLK) and must remain enabled until data transfer is fully completed. It must be cleared prior to the first clock following the transmission of the final four-bit data. In order to receive a frame correctly, the MII_RX_DV signal must remain valid throughout the frame transmission. The active level must be no later than the SFO bit.

MII_RX_ER: Receive error signal. It must be active for one or more clock periods (MII_RX_CLK) to indicate to the MAC that an error was detected in a frame. Detailed error information depends on the state of the MII_RX_DV and MII_RXD[3: 0] data.

Table 26-2 Transmit interface signal encode

MII_TX_EN	MII_TXD[3: 0]	Description
0	0000 to 1111	Normal frame interval
1	0000 to 1111	Normal data transfer

Table 26-3 Receive interface signal encode

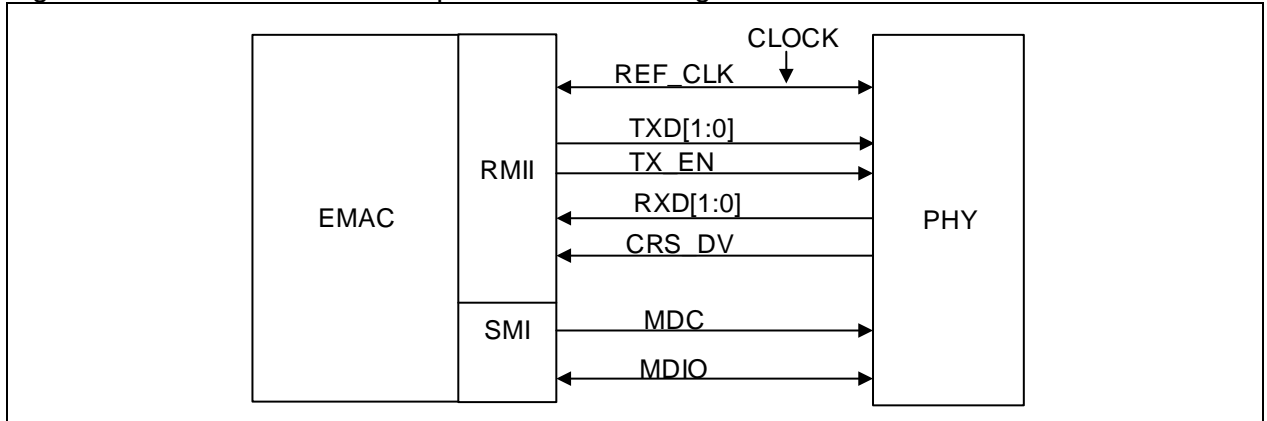
MII_RX_DV	MII_RX_ER	MII_RXD[3: 0]	Description
0	0	0000 to 1111	Normal frame interval
0	1	0000	Normal frame interval
0	1	0001 to 1101	Reserved
0	1	1110	False carrier indication
0	1	1111	Reserved
1	0	0000 to 1111	Normal data reception
1	1	0000 to 1111	Data reception error

Reduced media-independent interface: RMII

The reduced media-independent interface reduces the pin count between the AT32F407xx Ethernet peripheral and the external Ethernet. According to the IEEE802.3u standard, the MII interface requires 16 pins for data and control signals, while the RMII reduces the pin count to 7 pins (a 62.5% decrease in pin count)

The RMII interface is used to connect the EMAC and the PHY. This helps translate the MAC MII signal to the RMII.

Figure 26-4 Reduced media-independent interface signals



MII/RMII selection and clock sources

Either the MII or RMII mode can be selected using the 23rd bit MII_RMII_SEL in the IOMUX_REMAP register. The MII/RMII mode must be selected when the Ethernet controller is in reset state or before the clock is enabled.

MII clock sources

The EMAC TX_CLK and RX_CLK clock signals are provided by the PHY. External PHY module is driven by an external 25MHz clock, which can be provided by either an oscillator or the MCU CLKOUT pin. Refer to CRM section for more information.

Figure 26-5 MII clock sources (provided by CLKOUT pin)

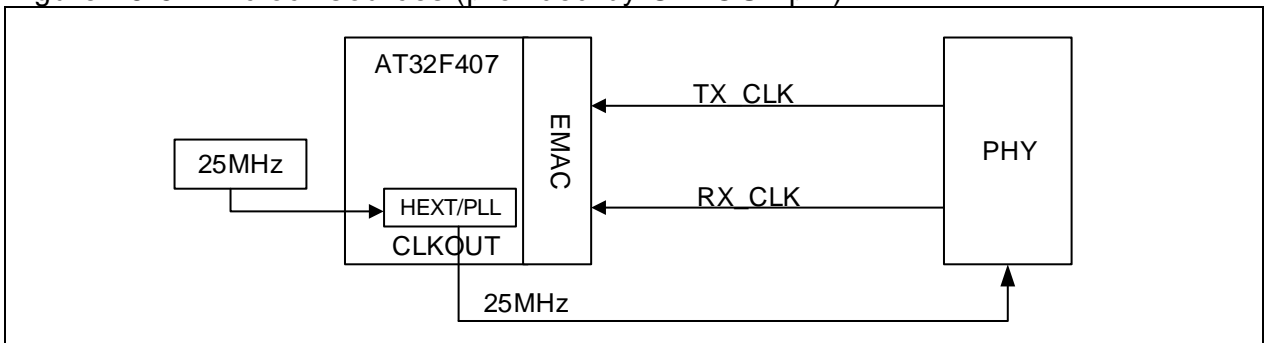
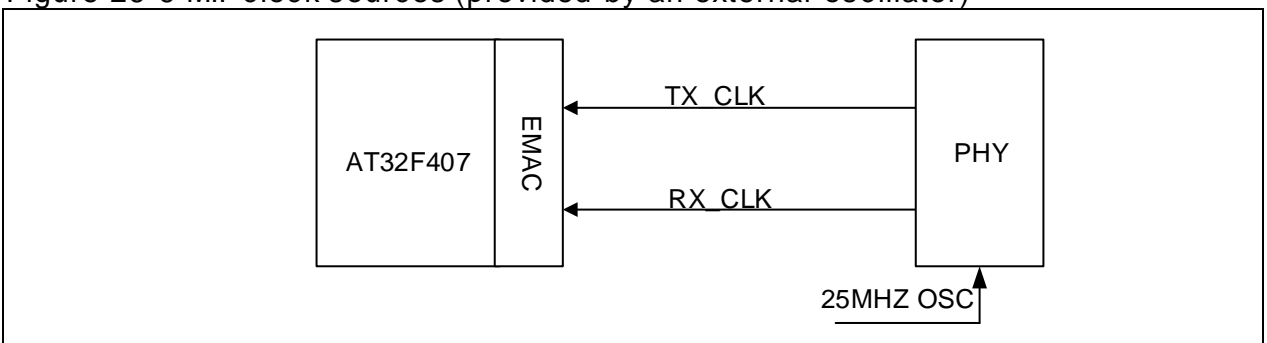


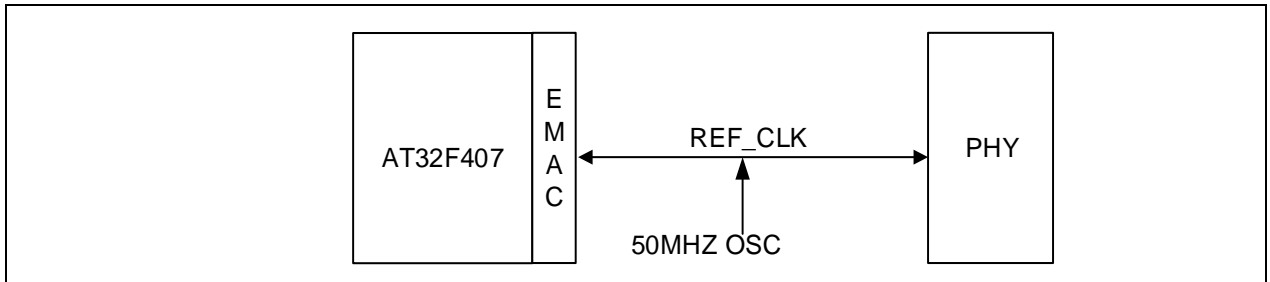
Figure 26-6 MII clock sources (provided by an external oscillator)



RMII clock sources

As shown in Figure 26-7, both the EMAC and PHY require 50MHz clock sources, which can be provided by an external crystal oscillator. When the CLKOUT pin is used, the PLL has to be configured to generate this clock. Refer to CRM section for more information.

Figure 26-7 RMII clock sources (provide by an external crystal oscillator)



EMAC pin allocation and multiplexing

Table 26-4 Ethernet peripheral pin configuration (black: default red: remapping signals)

EMAC signal	MII	RMII	Pin	Pin description
EMAC_MDC	MDC	MDC	PC1	Multiplexed push-pull output
EMAC_MII_TXD2	TXD2	-	PC2	Multiplexed push-pull output
EMAC_MII_TX_CLK	TX_CLK	-	PC3	Floating input (reset state)
EMAC_MII_CRS	CRS	-	PA0	Floating input (reset state)
EMAC_MII_RX_CLK EMAC_RMII_REF_CLK	RX_CLK	REF_CLK	PA1	Floating input (reset state)
EMAC_MDIO	MDIO	MDIO	PA2	Multiplexed push-pull output
EMAC_MII_COL	COL	-	PA3	Floating input (reset state)
EMAC_MII_RX_DV EMAC_RMII_CRS_DV	RX_DV	CRS_DV	PA7	Floating input (reset state)
EMAC_MII_RXD0 EMAC_RMII_RXD0	RXD0	RXD0	PC4	Floating input (reset state)
EMAC_MII_RXD1 EMAC_RMII_RXD1	RXD1	RXD1	PC5	Floating input (reset state)
EMAC_MII_RXD2	RXD2	-	PB0	Floating input (reset state)
EMAC_MII_RXD3	RXD3	-	PB1	Floating input (reset state)
EMAC_MII_RX_ER	RX_ER	-	PB10	Floating input (reset state)
EMAC_MII_TX_EN EMAC_RMII_TX_EN	TX_EN	TX_EN	PB11	Multiplexed push-pull output
EMAC_MII_TXD0 EMAC_RMII_TXD0	TXD0	TXD0	PB12	Multiplexed push-pull output
EMAC_MII_TXD1 EMAC_RMII_TXD1	TXD1	TXD1	PB13	Multiplexed push-pull output
EMAC_PPS_OUT	PPS_OUT	PPS_OUT	PB5	Multiplexed push-pull output
EMAC_MII_TXD3	TXD3	-	PB8	Multiplexed push-pull output
EMAC_RMII_CRS_DV	RX_DV	CRS_DV	PD8	Floating input (reset state)
EMAC_MII_RXD0 EMAC_RMII_RXD0	RXD0	RXD0	PD9	Floating input (reset state)
EMAC_MII_RXD1 EMAC_RMII_RXD1	RXD1	RXD1	PD10	Floating input (reset state)
EMAC_MII_RXD2	RXD2	-	PD11	Floating input (reset state)
EMAC_MII_RXD3	RXD3	-	PD12	Floating input (reset state)

26.2.2 EMAC frame communication

Frame format

Figure 26-9 shows the MAC frame format and tagged MAC frame format (Refer to IEEE 802.C-2002 for more information on MAC frame formats)

Figure 26-8 MAC frame format

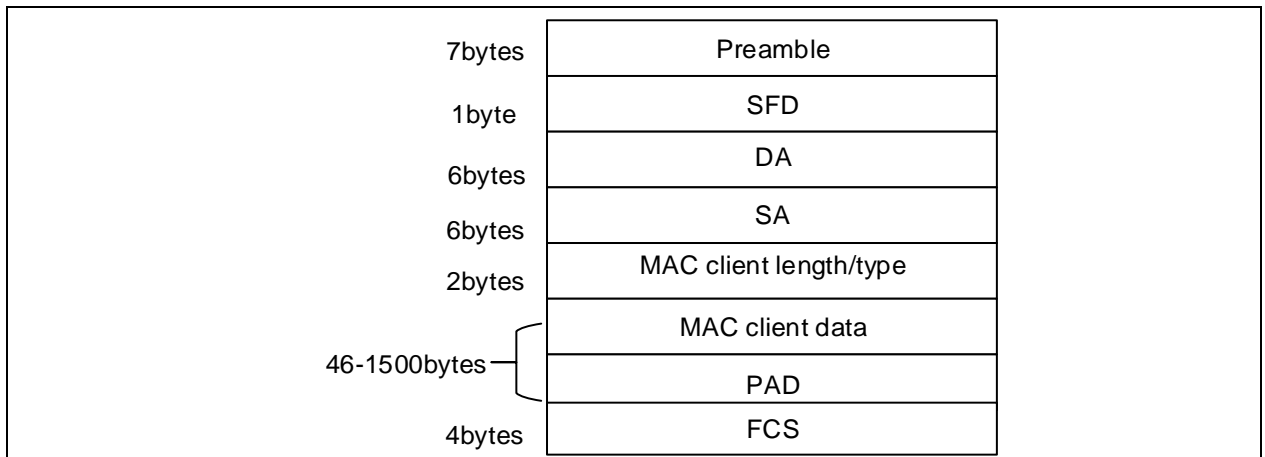
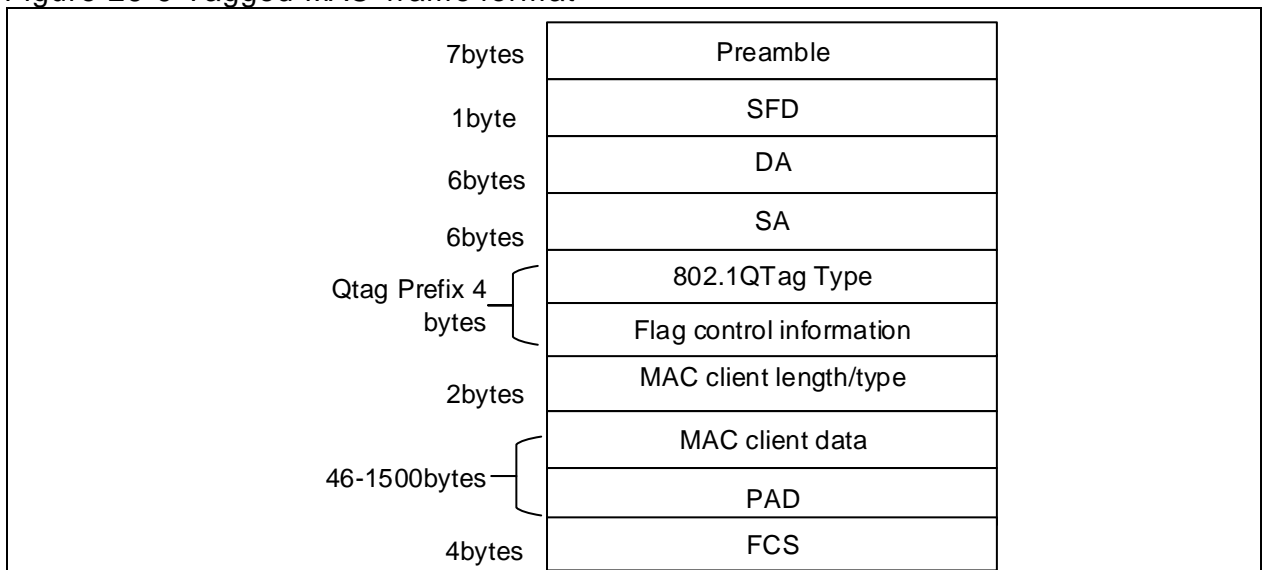


Figure 26-9 Tagged MAC frame format



EMAC frame filtering

EMAC supports source and destination address filtering.

Address filtering

Based on frame filtering register chosen by the application, address filtering checks the source and destination addresses over all received frames using the MAC address and multicast HASH table. The address filtering status is reported accordingly.

Unicast destination address filter

There are two filtering modes: perfect address filtering and HASH table filtering.

1. Perfect address filtering: It is enabled by setting HUC=0 in the frame filtering register. Four MAC addresses are used for perfect filtering. The MACADDR0 is always enabled. The MACADDR1, MACADDR2 and MACADDR3 bits are enabled using their respective AE bit. The MBC bit in the address register is set to mask the address comparison of the corresponding bytes. If the MBC bit is all 0, the EMAC will compare all 48 bits of the received unicast address with the programmed MAC address, if matched, the unicast address is said to have passed through the filtering.
2. HASH table filtering: The HUC must be set in the frame filtering register. The EMAC performs imperfect filtering for unicast addresses through 64-bit HASH table. For HASH filtering, the MAC calculates the CRC value of the received destination address (see the note below) and uses the 6 upper CRC bits to index the HASH table. A value of 000000 corresponds to bit 0 in the HASH table register, and a value of 111111 corresponds to bit 63 in the HASH table register. If the corresponding bit in the HASH table relative to the CRC value is set to 1, it indicates that the frame has passed through the HASH filter, otherwise, it has failed the HASH filter.

Multicast destination address filter

1. The MAC can be programmed to receive all multicast frames by setting PMC=1 in the frame filter

register

- If the PMC is set to 0 and the HMC is set to 0, perfect address filtering can be done using the MACADDR0/1/2 addresses.
- If the PMC is set to 0, and the HMC is set to 1, the 64-bit HASH table is used to perform imperfect filtering.

Broadcast address filter

If the DBF is set in the frame filter register, the EMAC will reject all broadcast frames. If DBF=0, the EMAC will accept all broadcast frames.

Unicast source address filter

If the bit 30 is set in the MAC address register 1/2/3, the filter will compare source address instead of destination address of the received frames.

If the SAF bit is set in the frame filter address, the frames that failed the SA filter will be dropped by the EMAC. In this case, the frames that pass through both SA and DA filtering can be forwarded to the application, otherwise, they will be dropped.

Inverse filtering operation

The DAIF and SAIF bits in the frame filter register are used to invert the filtering output result for both destination and source address filtering. The DAIF bit is applicable for both unicast and multicast destination frames, while the SAIF bit for the unicast source address.

Table 26-5 Destination address filtering

Frame type	PMC	HPF	HUC	DAIF	HMC	PMC	DBF	DA filter operation
Broadcast	1	X	X	X	X	X	X	Pass
	0	X	X	X	X	X	0	Pass
	0	X	X	X	X	X	1	Fail
Unicast	1	X	X	X	X	X	X	Pass all frames
	0	X	0	0	X	X	X	Pass on perfect/group filter match
	0	X	0	1	X	X	X	Fail on perfect/group filter match
	0	0	1	0	X	X	X	Pass on HASH filter match
	0	0	1	1	X	X	X	Fail on HASH filter match
	0	1	1	0	X	X	X	Pass on HASH or perfect/group filter match
	0	1	1	1	X	X	X	Fail on HASH or perfect/group filter match
Multicast	1	X	X	X	X	X	X	Pass all frames
	X	X	X	X	X	1	X	Pass all frames
	0	X	X	0	0	0	X	Pass on perfect/group filter match and drop PAUSE frames if PCF= 0x
	0	0	X	0	1	0	X	Pass on HASH filter match and drop PAUSE frames if PCF= 0x
	0	1	X	0	1	0	X	Pass on HASH or perfect/group filter match and drop PAUSE frames if PCF= 0x
	0	X	X	1	0	0	X	Fail on perfect/group filter match and drop PAUSE frames if PCF= 0x
	0	0	X	1	1	0	X	Fail on HASH filter match and drop PAUSE frames if PCF= 0x
	0	1	X	1	1	0	X	Fail on HASH or perfect/group filter match and drop PAUSE frames if PCF= 0x

Table 26-6 Source address filtering

Frame type	PR	SAIF	SAF	SA filter operation
Unicast	1	X	X	Pass all frames
	0	0	0	Pass status on perfect/group filter match but do not drop frames that failed
	0	1	0	Fail status on perfect/group filter match but do not drop frames that failed
	0	0	1	Pass on perfect/group filter match and drop frames that failed
	0	1	1	Fail on perfect/group filter match and drop frames that failed

EMAC frame transmission

The EMAC frame transmission is controlled by the DMA controller and MAC. Once a transmission command is sent by the application, Ethernet frames read from the user data buffer (such as SRAM) are stored into TXFIFO by the DMA. The frames are then popped out and transferred to the MAC core. The MAC core sends the frames to external Ethernet PHY via MII/RMII interface so as to communicate with external stations. When the end-of-frame is transferred, the status of the transmission is generated from the MAC core and transferred back to the DMA controller.

When the SOF is detected, the MAC accepts data and begins transmitting to the MII/RMII. The time required to transmit the data frame to the MII/RMII after the application initiates is variable, due to various delay factors like frame interval, time to transmit preamble/SFD and any back-off delays caused by CSMA/CD algorithm in half-duplex mode. After the EOF is transferred to the MAC core, the core completes normal transmission and then gives the status of the transmission back to the DMA.

There are two modes of operation for popping data from TXFIFO to the MAC core:

- In threshold mode: If the number of bytes in the FIFO crosses the configured threshold (or when the EOF is written before the threshold is crossed), the data is ready to be popped out and forwarded to the MAC core. The threshold level is configured using the TTC bits in the EMAC_DMAOPM register.
- In store-and-forward mode: Only after a complete frame is written to the FIFO, the data is transferred to the MAC core. If the TXFIFO size is smaller than the Ethernet frame to be transmitted, then the data is also transferred to the MAC core when the TXFIFO becomes almost full.

The FTF bit (the bit 20 in the EMAC_DMAOPM register) can be set to flush the TXFIFO. If the FTF bit is mistakenly set in the middle of transferring a frame to the MAC core, the FIFO is flushed and the frame transmission is aborted. An underflow event is marked in the EMAC transmitter and the corresponding status is given to the DMA core.

Automatic CRC and pad generation

If the length of a transmitting frame is less than 46 bytes, the minimum data size for an Ethernet frame defined in IEEE802.3 standard, The EMAC can be programmed to append padding (zeros are appended) automatically so that zeros are appended to the transmitting frame to make the data length exactly 46 bytes.

During a frame transmission, the EMAC can be programmed either to append CRC to the frame check sequence or not to append CRC. When the EMAC is programmed to append pads for frames (DA+SA+LT+Data) less than 60 bytes, the CRC value will be appended at the end of the padded frames.

Collision detection in CSMA/CD

The collision detection is applicable only to half-duplex mode, not to full-duplex mode. (Refer to Ethernet protocol for more information)

In MII mode, if a collision occurs at any time from the beginning of a frame to the end of the CRC, the collision signal is sent to the EMAC core. The EMAC core will send a 32-bit jam signal of 0x5555 5555 to inform all other stations on the LAN that a collision has occurred. If the collision happened during the preamble transmission phrase, the EMAC completes the transmission of the preamble and SFD and then sends the jam signal.

Jabber timer

The EMAC jabber timer is enabled (set EMAC_MACCTRL[20]=0) to prevent certain station on the LAN from occupying the LAN for a long time. Once enabled, the EMAC will stop transmitting if the application tries to send a frame more than 2048 bytes.

Interframe gap management

The EMAC enables transmission after satisfying the interframe gap and backoff delays. The MAC maintains an idle period of the programmed interframe gap (IFG bits in the EMAC_MACCTRL register) between any two transmitted frames. The EMAC starts its IFG counter as soon as the carrier signal of the MII becomes inactive. If a frame arrives sooner than the configured IFG time, it will be delayed for transmission until the interframe time is reached. The MAC starts its IFG counter as soon as the carrier signal of the MII becomes inactive. In full-duplex mode, the MAC enables transmission at the end of the configured IFG value. In half-duplex mode, if the IFG is configured as 96 bit times, the MAC will follow the rule defined in Section 4.2.3.2.1 of the IEEE 802.3 specification. The MAC will reset its IFG counter if a carrier is detected during the first two-thirds of the IFG interval (64-bit times). If the carrier is detected during the final one-third of the IFG interval, the MAC will continue the IFG count and enables transmission after the IFG interval is reached. In half-duplex mode the MAC follows the truncated binary exponential backoff algorithm.

Transmit flow control

In full-duplex mode the EMAC implements Transmit flow control using pause frames. The EMA can request the suspension of the frame transmission by sending Pause frames in two ways.

When the FCB bit in the EMAC_MACFCTRL register is set, the EMAC generates and transmits a single Pause frame. The value of the pause time in the generated frame holds the programmed pause time value in the EMAC_MACFCTRL register. To extend the pause time or cancel the remaining pause time, the EMAC must send another pause frame (PT=0 will cancel the remaining pause time).

If flow control is enabled (EFT=1 in the EMAC_MACFCTRL register), when the RXFIFO is full, the EMAC generates and transmits a Pause time. If the RXFIFO remains full while the programmed pause time threshold is satisfied, the MAC will transmit another Pause frame. The process is repeated as long as the receive FIFO remains full. If the RXFIFO is not full prior to the pause time, the MAC transmit a Pause time with zero pause time to indicate to the remote station that the receive buffer is ready to receive new data frames.

Retransmission during collision

When a frame is being transferred to the MAC, a collision event may occur on the MAC line in half-duplex mode. The MAC would then try retransmission even before the end of the frame is received. At this point, if retransmission is enabled, the frame is popped out again from the FIFO. After 96 bytes have been popped towards the MAC core, the FIFO controller will release that space to allow the DMA to push in more data. This means that the retransmission is not possible if this threshold (96 bytes) is crossed or when the MAC core indicates a late collision event.

Transmit FIFO flush operation

The FTF bit (bit 20) in the EMAC_DMAOPM register is set to flush TXFIFO. The TXFIFO flush operation is immediate and the corresponding points are reset to their initial states even if the TXFIFO is in the process of transferring a frame to the MAC core. This operation will abort the current frame transmission and result in an underflow event in the EMAC. The status of such a frame is generated (TDES0 bits 1 and 13). The flush operation is completed when the application (DMA) has received all of the status words of the frames that were flushed. Then the FTF bit is cleared in the EMAC_DMAOPM register. In this case, TXFIFO is allowed to receive new frames from the application (DMA). All data that do not start with an SOF marker will be discarded after the flush operation.

Transmit status word and time stamp

At the EMAC controller has completed the transmission of the Ethernet frame, the transmit status is given to the application. If IEEE 1588 time stamp is enabled, a 64-bit time stamp, along with the transmit status, will be written to the transmit descriptor.

Transmit checksum offload

The most widespread use of Ethernet is to encapsulate TCP or UDP over IP datagrams, so the Ethernet controller has a transmit checksum feature that supports checksum calculation and insertion in the transmit path, and error detection in the receive path.

Note: This function is enabled only when the TXFIFO is configured as store-and-forward mode (that is, when the TSF is set in the EMAC_DMAOPM register). If the TXFIFO depth is less than the input Ethernet frame size, the checksum function is invalid and only the IPv4 header checksum is calculated and modified by the EMAC, even in store-and-forward mode.

See IETF specifications RFC791, RFC 793, RFC 768, RFC 792, RFC 2460 and RFC 4443 for IPv4, TCP, UDP, ICMP, IPv6 and ICMPv6 specifications.

IP header checksum

The checksum module will detect an IPv4 datagrams when the Ethernet frame's type field has the value of 0x0800 and the IP datagram's version field has the value of 0x4. The input frame's checksum field is ignored and replaced by the calculated value. IPv6 headers do not have a checksum field, thus the checksum module does not modify IPv6 header fields. The result of this IP header checksum calculation is indicated by the IP header error status bit (TDES0 bit 16). This status bit is set whenever the values of the Ethernet type field and the IP header's version field are not consistent, or when the Ethernet frame does not have enough data. In other words, this bit is set when the following errors occurred.

- For IPv4 datagrams
 - The received Ethernet type is 0x0800, but the IP header's version field is not equal to 0x4
 - The IPv4 header length field has a value less than 0x5 (20 bytes)
 - The total frame length is less than the value given in the IPv4 header length field
- For IPv6 datagrams
 - The received Ethernet type is 0x86DD, but the IP header's version field is not equal to 0x6
 - The frame ends before the IPv6 header (40 bytes) or extension header (including header length field) has been completely received. Even if the checksum module detects such an IP header error, it inserts an IPv4 header checksum if the Ethernet type field indicates an IPv4 payload.

TCP/UDP/ICMP checksum

The TCP/UDP/ICMP checksum determines whether the encapsulated data is TCP, UDP or ICMP by analyzing the IPv4 or IPv6 header (including extension headers)

Note: 1. For non-TCP, UDP or - ICMP/ICMPv6 data, this checksum function is invalid and the frame data is not modified.

2. Fragmented IP frames (IPv4 or IPv6), IP frames with security features (such as an authentication header or encapsulated security data) and IPv6 frames with routing headers are not processed by the checksum.

The checksum is calculated for the TCP, UDP or ICMP data and inserted into its corresponding field in the header. It can work in the following two modes:

1. The TCP, UDP or ICMPv6 pseudo-header is not included in the checksum calculation and is assumed to be present in the input frame's checksum field. The checksum field is included in the checksum calculation, and then replaced by the final calculated checksum.
2. The checksum field is ignored, and the TCP, UDP or ICMPv6 pseudo-header data are included into the checksum calculation, and the checksum field is overwritten with the final calculated value.

The result of this operation is indicated by the checksum error status bit in the transmit status vector (TDES0 bit 12). The data checksum error status bit is set when either of the following is detected:

1. The frame has been forwarded to the MAC transmitter in store-and-forward mode without the end of the frame being written to the TXFIFO.
2. The packet ends before the number of bytes indicated by the data length field in the IP header is received.

When the packet is longer than the indicated data length, the bytes are ignored as stuff bytes, and no error is reported. When the first type of error is detected, the TCP, UDP or ICMP header is not modified. For the second type of error, the calculated checksum is still inserted into the corresponding header field.

EMAC frame reception

The MAC received frames are stored into the RXFIFO and sent out by the DMA using the AHB interface. There are two modes: Cut-through mode and store-and-forward mode.

In the default Cut-through mode, when the frame data length greater than the programmed threshold (configured with the RTC bit in the EMAC_DMAOPM register) or a full packet of data are received in the RXFIFO, the data are popped out and the DMA is notified of its availability. The DMA will keep popping out the data from the RXFIFO until the data transfer is completed. Upon completion of the EOF frame transfer, the status word is popped out and sent to the DMA controller.

In store-and-forward mode (configured by the RSF bit in the EMAC_DMAOPM register), a frame is read by the DMA only after being written completely into the RXFIFO.

If the EMAC core is configured to drop all error frames, behavior varies in different reception modes:

1. In store-and-forward mode, only the valid frames are read and forwarded to the application by the DMA.
2. In Cut-through mode, some error frames are not dropped because the error status is received at the end of the frame.

A reception operation is initiated when the EMAC detects an SFD on the MII. The MAC core strips the preamble and SFD before processing the frame. The header fields are checked for the filtering and the FCS field used to verify the CRC of the frame. The frame is dropped in the core if it failed the address filter.

If IEEE1588 time stamping is enabled, a snapshot of the system time is taken when any frame's SFD is detected on the MII. This time stamp is passed onto the application when the EMAC has completed the current frame.

If the received frame length/type field is less than 0x600 and if the EMAC is configured for the auto CRC/pad stripping option, the EMAC sends the data of the frame to RXFIFO up to the count specified in the length/type field, then starts dropping bytes (including the FCS field). If the length/type field is greater than 0x600, the MAC sends all received Ethernet frame data to RXFIFO, regardless of the value on the programmed auto-CRC strip option.

The EMAC watchdog timer is enabled by default, frames above 2048 bytes (DA + SA + LT + Dat + pad + FCS) are cut off. This feature can be disabled by the WD bit in the EMAC_MACCTRL register. However, even if the watchdog timer is disabled, frame length greater than 16 KB are cut off and a watchdog timeout event is reported.

Receive checksum offload

Both IPv4 and IPv6 frames are detected for data integrity by setting the IPC bit in the EMAC_MACCTRL register. The EMAC identifies IPv4 or IPv6 frames by checking for the Ethernet type field value. The receive checksum offload calculates IPv4 header checksums and checks that they match the received IPv4 header checksums. The result of the header checksum is indicated by the bit 7 of the receive descriptor (RDES0). The IP header error bit is set either one of the following conditions:

1. Ethernet type field does not match the IP header version field
2. Received frames are less than the length indicated by the IPv4 header length field
3. IPv4 or IPv6 headers less than 20 bytes

The receive checksum offload also identifies a TCP, UDP or ICMP payload in the received IP datagrams (IPv4 or IPv6) and calculates the checksum of such payloads properly, as defined in the TCP, UDP or ICMP specifications. It includes the TCP/UDP/ICMPv6 pseudo-header bytes for checksum calculation and the result of CRC is indicated by the bit 0 in the receive descriptor (RDES0). This bit is set either one of the following conditions:

1. Received TCP, UDP or ICMP data length does not match that of the IP headers
2. The calculated checksum does not equal the value of the TCP, UDP or ICMP checksum field

Receive flow control

In Full-duplex mode, the MAC detects the receiving Pause frame and pauses the frame transmission according to the delay specified within the received Pause frame.

The ERF bit in the EMAC_MACFCTRL register to enable or disable Pause frame detection function. Once receive flow control is enabled, the EMAC will decode the Pause frames.

During the pause period, if another Pause frame is detected with a zero Pause time value, the MAC clears the PAUSE time and retransmits the data. If it is not a zero Pause time value, the pause time in the frame will be immediately loaded into the pause time counter.

Receive operation multiframe handling

Since the status is available immediately following the data, the RXFIFO is capable of storing any number of frames into it, as long as it is not full.

Receive status word

At the end of the Ethernet frame reception, the EMAC will send the receive status to the application (DMA). The detailed information of the receive status is given in the RDES0.

EMAC loopback mode

The EMAC supports loopback of transmitted frames onto its receiver. The loopback mode is very useful to debug the Ethernet communication. This feature is enabled by setting the LM bit in the EMAC_MACCTRL register.

Note that the loopback mode is applicable only to the MII interface.

EMAC frame counter

The MAC management counters (MMC) contain a set of registers for gathering statistics on the received and transmitted frames. These include the EMAC_MMCCTR, EMAC_MMCR1, EMAC_MMCRIM, EMAC_MMCTI and EMAC_MMCTIM registers.

If a frame transmission is aborted due to any of the following errors, this frame will not be counted:

1. No carrier/Loss of carrier
2. Jabber timeout
3. Late collision
4. Excessive collision
5. Excessive deferral
6. Frame overflow

If a frame reception is aborted due to any of the following errors, this frame will not be counted:

1. CRC error
2. Runt frame (shorter than 64 bytes)
3. Alignment error
4. Length error (length field value does not match the received frame length)
5. Out of range (frame length beyond the maximum size, untagged frame maximum size=1518 bytes, tagged frame maximum size=1522 bytes)
6. MII_RXER input error

26.2.3 Ethernet frame transmission and reception using DMA

The transmission and reception of the Ethernet frames are scheduled through DMA.

For transmission, the DMA reads out the Ethernet frames from the user system buffer (such as SRAM) via the AHB master interface and forwards them to the TXFIFO. The EMAC core then transfers the data frames in the TXFIFO to the MII/RMII interface.

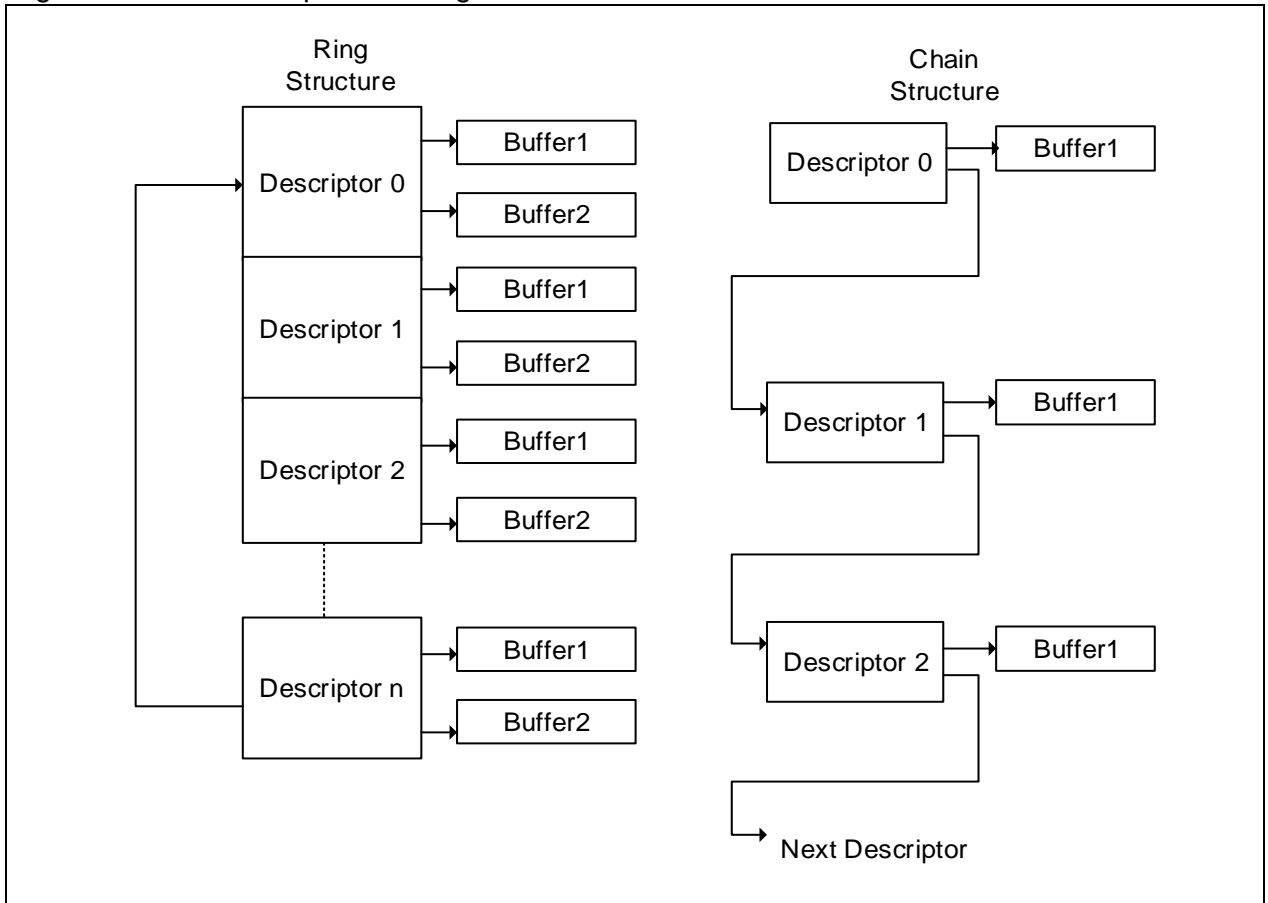
For reception, the EMAC core sends the received Ethernet frames from the MII/RMII interface to the RXFIFO so that the DMA controller reads out the Ethernet frames from the RXFIFO and transfers them to the user data buffer (SRAM) via the AHB master interface.

DMA control and status register and descriptor table are used to manage the whole transmission and

reception process, which has its respective descriptor list. The descriptor list is usually stored in the system buffer area (SRAM). When the transmission and reception is enabled, the DMA polls the descriptor table through the transmit and receive poll register to start the transmission and reception process. The base address the descriptor list for transmission and reception is stored into the transmit descriptor list register and receive descriptor list register.

There are two descriptor structures: ring structure and chain structure. In a ring structure, each descriptor may point to two buffers. In a chain structure (TDES0[20]=1 is configured for transmission, but RDES1[14]=1 for reception), each descriptor points to the only one buffer. The contents of the TDES3 and RDES3 for the current frames refer to the next descriptor address for transmission and reception.

Figure 26-10 Descriptor for ring and chain structure



DMAAHB host burst access

The DMA executes a fixed-length burst access on the AHB master interface if the FB bit is set in the EMAC_DMABM register. The maximum burst length is defined by the PBL field (bit [13: 8] in the EMAC_DMABM register). The receive and transmit descriptors are always accessed in the maximum possible burst size (limited by PBL) for the 16 bytes to read.

The DMA provides the start address and the number of transfers to the AHB master interface before starting one transfer.

Note that one of the following conditions must be respected for transmission:

1. TXFIFO space is greater than the programmed burst size
2. The number of bytes before the end of a frame is less than the burst size and the TXFIFO can accommodate these bytes

One of the following conditions must be respected for reception:

1. The data available in the RXFIO is greater than the programmed burst size
2. The number of bytes before the end of a frame is less than the burst size and the end of the frame is detected in the RXFIFO

AHB host data alignment

The DMA always initiates transfers with address aligned to the bus width. But the start address of the buffers can be aligned to any of the four bytes.

- Example of buffer read: If the transmit buffer address is 0x2000 0AA3, and 15 bytes are to be transferred, then the DMA will read five words (32 bits) from the address 0x2000 0AA0, but when transferring data to the TXFIFO, the first three bytes and the last two bytes will be ignored. The DMA always ensures that it transfers a 32-bit data to the TXFIFO, unless it is the end of the frame.
- Example of buffer write: If the receive buffer address is 0x2000 0BB2 and 16 bytes are to be transferred, the DMA will read five 32-bit data from the address 0x2000 0BB0. But the first two bytes and the last two bytes are dummy data.

Buffer size calculation

For transmission, software needs to calculate the buffer size. The TXDMA transfers the exact number of bytes programmed by buffer size field in the TDES1 to the EMAC core. If the FS bit is set in the TDES0, the DMA marks the first transfer from the buffer as the start of frame. If the LS bit is set in the TDES0, the DMA marks the last transfer from the buffer as the end of frame.

During a frame reception, if the receive buffer address is word-aligned, the valid length of the buffer refers to the value programmed in the RDES1. If the receive buffer address is not word-aligned, the valid length of the buffer is less than the value configured in the RDES1. The valid length value of the buffer is the value indicated by the RDES1 minus the lower two-bit value of the buffer address. For example, if the total buffer size is 1024 bytes and the buffer address is 0x2000 0001, the lower 2-bit value of the address is 0x01, then the valid buffer size is 1023 bytes.

The FS bit is set by the DMA controller when an SOF is received. The LS is set when an EOF is received. If the receive buffer length field is big enough to accommodate a full frame, then both the FS and LS bits will be set in the same descriptor. The actual length of the received frame is indicated by the FL bit in the RDES0.

DMA arbiter

Two types of arbitrations are used for the arbitration between transmit and receive controller: round-robin, and fixed-priority. When round-robin is selected (DA bit is set in the EMAC_DMABM register), the arbiter allocates the databus according to the ratio set by the PR bit in the EMAC_DMABM register, when both transmit and RXDMA request access to the AHB bus simultaneously. When the DA bit is set, the RXDMA always has priority over the TXDMA for data access.

Error response to DMA

If an error response is received during DMA transfer, then the DMA stops all operations and updates the error bit and the fatal bus error bit in the EMAC_DMASTS register. The DMA can resume operation after software or hardware resets the Ethernet peripherals and re-initiates the DMA.

DMA initialization

1. Configure AT32F407xx bus access parameters in the EMAC_DMABM register.
2. Mask unnecessary interrupt sources in the EMAC_DMAIE register.
3. The application generates the transmit and receive descriptor lists. Then it writes the start addresses of the descriptor lists to both the EMAC_DMARDLADDR and EMAC_DMATDLADDR registers.
4. Configure address filtering registers.
5. Configure the (EMAC_MACCTRL register to enable the transmit and receive operating modes. Program the PS and DM bits according to the auto-negotiation result.
6. Set the bit 13 and bit 1 in the EMAC_DMAOPM register to enable transmission and reception.
7. The transmit and receive controllers begin reading descriptors from the corresponding descriptor lists to process receive and transmit operations.

TXDMA operation: non-OSF mode

The TXDMA proceeds as follows, in default mode:

1. The application sets up the Ethernet frame data buffer and the transmit descriptor (TDES0-TDES3), and sets the OWN bit (TDES0[31])
2. Once the SSTC is set (EMAC_DMAOPM bit [13]), the DMA enables transmission.
3. The DMA polls the transmit descriptor to get a frame to be transmitted. If the DMA detects a descriptor that is being owned by the CPU or if an error occurs, transmission is suspended and suspend state is entered, and both the transmit buffer unavailable (EMAC_DMASTS bit 2) and normal interrupt summary bit (EMAC_DMASTS bit 16) are set. The transmit controller jumps to Step 8.
4. DMA fetches the data from the AT32F407xx memory based on the transmit descriptor indication and transfers the data to the TXFIFO.
5. If the Ethernet frame is stored in multiple descriptors with different descriptor, the DMA will close the intermediate descriptor and fetch the next descriptor. Steps 3, 4 and 5 are repeated until the end of frame data is transferred.
6. When the frame transmission is complete, if IEEE1588 time stamping was enabled for the frame (as indicated in the transmit status), the time stamp value is written to the transmit descriptor (TDES2 and TDES3) that contains the end-of-frame buffer while the transmit status information is sent to the TDES0. Then the OWN bit is cleared, and the current descriptor is disabled. If time stamping was not enabled for the frame, the DMA only updates the status information to the TDES0 without recording the time stamping
7. When the frame transmission is complete, if the Interrupt on Completion (TDES0[30]) is set, then the transmit interrupt bit (EMAC_DMASTS bit [0]) will be set. The DMA then returns to Step 3 and is ready for the next transmission.
8. In the suspend state, the DMA tries to re-fetch the descriptor (back to Step 3) when it receives a transmit poll request and the overflow interrupt flag bit is cleared.

TXDMA operation: OSF mode

In this mode, the OSF bit is set (EMAC_DMAOPM bit 2=1). When the current data frame transmission is complete, the DMA immediately polls the transmit descriptor for the second frame without the need of waiting for the status information is written.

1. The DMA operates according to steps 1—6 of the TXDMA.
2. The DMA fetches the next descriptor without waiting for the status information update of the last description for the previous frame.
3. If the DMA owns the descriptor, then it will decode the transmit buffer address. If the DMA does not own the descriptor, then it will enter into suspend state and jump to Step 7.
4. The DMA fetches the transmit frame data from the AT32F407xx memory and transfer the frame until the end of frame is transferred. If the frame is split among multiple buffers, the DMA will close the intermediate descriptors.
5. The DMA waits for the transmit status and time stamp of the previous frame. After the status information is available, the DMA writes the time stamp to TDES2 and TDES3 if such time stamp is captured. The DMA then clears the OWN bit and closes the descriptor. If the time stamping was not enabled for the frame, the DMA will not alter the contents of TDES2 and TDES3.
6. If enabled, the transmit interrupt bit is set. The DMA fetches the next descriptor when the status information is normal, and jumps to Step 3. If the previous transmit status shows an underflow error, the DMA enters into suspend state and jumps to Step 7.
7. In suspend state, when the DMA receives a pending status information and time stamp, if the time stamping is enabled it will write the time stamp to TDES2 and TDES3, and writes the status to TDES0. It then sets relevant interrupt flag bits and returns to suspend state.
8. The DMA can exit suspend state and enter run state only after receiving a transmit poll request (EMAC_DMACTD register).

Transmit frame processing

Ethernet frames stored in the transmit buffer must contain destination address, source address, correct type/length field and valid data. As for whether to include CRC value, it depends on the transmit descriptor. If the transmit descriptor requires the EMAC core to disable CRC or pad insertion, the buffer must contain the CRC.

A frame can be stored in multiple buffers that are linked in chain structure. When the transmission starts, the TDES0 bit 28 must be set in the first descriptor, and then the data are transferred from the memory to the TXFIFO. If the TDES0 bit 29 is set, it indicates the last buffer of the frame. After the last buffer of the data has been completed, the DMA writes back the final status information to the TDES0. If the transmit complete interrupt bit (TDES0[30]) is set, the transmit interrupt bit (EMAC_DMASTS bit 0) is set, the next descriptor is fetched, and the above steps are repeated. Actual frame transmission depends on whether the store-and-forward mode or threshold mode is selected. The descriptor is disabled (TDES0[31] is cleared) when the DMA finishes frame transmission.

Transmit polling suspend

Transmit polling can be suspended by one of the following conditions:

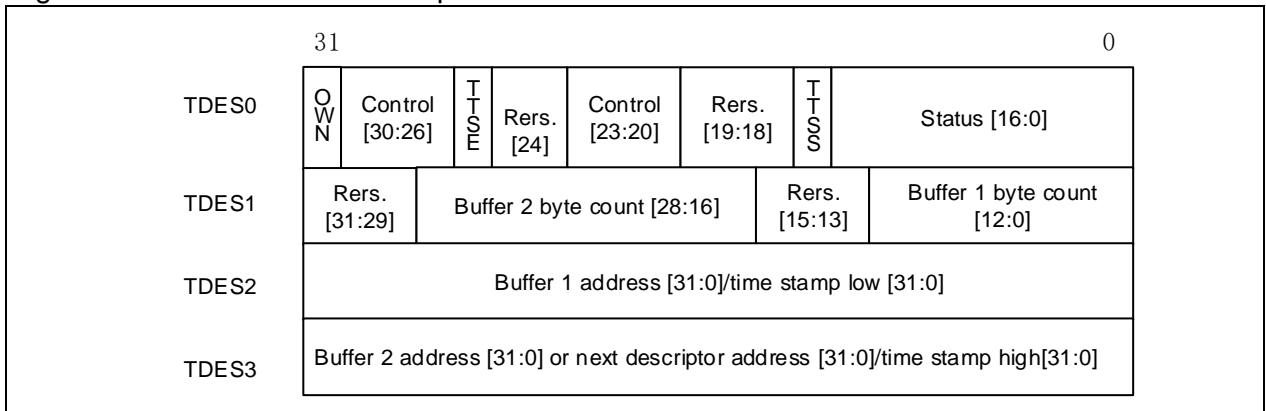
The DMA detects a descriptor owned by the CPU (TDES0[31]=0), and the DMA enters suspend state.

A frame transmission is aborted when an underflow is detected. The abnormal interrupt summary bit (EMAC_DMASTS bit 15) and transmit data underflow bit (EMAC_DMASTS bit 5) are set, and the appropriate error bit is set in the TDES0.

TXDMA descriptors

The descriptor structure consists of four 32-bit words. The bit definitions of TDES0, TDES1, TDES2 and TDES3 are as shown below:

Figure 26-11 Transmit descriptors



TDES0: Transmit descriptor word0

The software must configure the control bits [30: 26]+ [23: 20] and the OWN bit during descriptor initialization. When the DMA updates or writes the descriptor, it clears all the control bits and OWN bit, and report only the status bits.

Bit	Name	Type	Description
			Own bit 0: The descriptor is owned by the CPU 1: The descriptor is owned by the DMA
Bit 31	OWN	rw	This bit is cleared by the DMA when the DMA completes the frame transmission or when all the data in the buffer are read completely. The own bit of the frame's first descriptor can be set only after subsequent descriptors for the same frame have been set.
Bit 30	IC	rw	Interrupt on completion When set, this bit sets the transmit interrupt bit (EMAC_DMASTS bit [0]) after the present frame has been transmitted. This bit is valid only when the LS bit is set
Bit 29	LS	rw	Last segment When set, this bit indicates that the buffer contains the last segment of the frame. When this bit is set, neither TBS1 nor TBS2 cannot be cleared in the TDES1.
Bit 28	FS	rw	First segment

			When set, this bit indicates that the buffer contains the first segment of the frame
Bit 27	DC	rw	<p>Disable CRC</p> <p>When set, the MAC does not append a CRC field to the end of the transmitted frame. This bit is valid only when the FS bit is set (TDES0[28]=1).</p>
Bit 26	DP	rw	<p>Disable pad</p> <p>0: The MAC automatically adds padding to a frame shorter than 64 bytes, and the CRC field is added despite the state of the DC (TDES0[27]). This bit is valid only when the FS bit is set (TDES0[28]).</p> <p>1: The MAC does not automatically add padding to a frame shorter than 64 bytes.</p>
Bit 25	TTSE	rw	<p>Transmit time stamp enable</p> <p>When this bit is set, the IEEE1588 hardware time stamp is activated for the transmit frame described the descriptor. This bit is valid only when both the TSE (EMAC_PTPTCTRL[0]) and FS bits (TDES0[28]) are set.</p>
Bit 24	Reserved	resd	Kept at its default value.
Bit 23: 22	CIC	rw	<p>Checksum insertion control</p> <p>These two bits control the checksum calculation and insertion, as shown below:</p> <p>00: Checksum insertion disabled</p> <p>01: Only IP header checksum calculation and insertion are enabled</p> <p>10: IP header checksum and data checksum calculation and insertion are enabled, but pseudo-header checksum is not calculated.</p> <p>11: IP header checksum and data checksum calculation and insertion are enabled, and pseudo-header checksum is calculated.</p>
Bit 21	TER	rw	<p>Transmit end of ring</p> <p>When set, it indicates that the descriptor list reached its final descriptor. The DMA returns to the start address of the list, creating a descriptor ring.</p>
Bit 20	TCH	rw	<p>Second address chained</p> <p>When set, it indicates that the TBS2 bit in the TDES1 refers to the second descriptor address rather than the second buffer address. TDES0[21] takes precedence over TDES0[20]. This bit is valid only when the TDES0[28] is set.</p>
Bit 19: 18	Reserved	resd	Kept at its default value.
Bit 17	TTSS	rw	<p>Transmit time stamp status</p> <p>This bit is used as a status bit to indicate that a time stamp is captured for the described transmit frame. When this bit is set, it indicates the time stamp of the transmitted frame described by the descriptor has been captured, which are stored in the TDES2 and TDES3. This bit is valid only when the LS bit is set (TDES0[29]).</p>
Bit 16	IHE	rw	<p>IP header error</p> <p>When set, it indicates that the MAC transmitter detected an error in the IP data packet header. For IPv4 frames, the MAC checks whether the length field in the IPv4 datagram does match the number of the received IPv4 data. If there is a mismatch, an error is given. For IPv6 frames, an error is reported when the header length is not 40 bytes. Furthermore, the length/type field value for an IPv4 or IPv6 frame must match the IP header version. For IPv4 frame, an error is reported and this bit is set if the header length field value is shorter than 0x5.</p>
Bit 15	ES	rw	<p>Error summary</p> <p>This bit indicates the logical OR of the following bits:</p> <p>TDES0[14]: Jabber timeout</p> <p>TDES0[13]: Frame flush</p> <p>TDES0[11]: Loss of carrier</p> <p>TDES0[10]: No carrier</p> <p>TDES0[9]: Late collision</p> <p>TDES0[8]: Excessive collision</p> <p>TDES0[2]: Excessive deferral</p> <p>TDES0[1]: Underflow error</p> <p>TDES0[16]: IP header error</p> <p>TDES0[12]: IP data error</p>
Bit 14	JT	rw	Jabber timeout

			When set, this bit indicates that the MAC transmitter has experienced a jabber timeout. This bit is set only when the JAD bit is not set in the EMAC_MACCTRL register.
Bit 13	FF	rw	<p>Frame flushed</p> <p>When set, this bit indicates that the DMA or MTL flushed the frame in the FIFO due to a flush command given by the CPU.</p>
Bit 12	IPE	rw	<p>IP payload error</p> <p>When set, this bit indicates that the MAC transmitter detected an error in the TCP, UDP or ICMP. The transmitter compares the length field received in the IPv4 or IPv6 with the actual number of TCP, UDP or ICMP bytes. This bit is set as an error warning if there is a match.</p>
Bit 11	LOC	rw	<p>Loss of carrier</p> <p>When set, this bit indicates that a loss of carrier occurred during a frame transmission (The MII_CRS signal is active for one or more transmit clock periods). This bit is valid only for the frame transmitted without collision while the MC operates in half-duplex mode.</p>
Bit 10	NC	rw	<p>No carrier</p> <p>When set, this bit indicates that the carrier sense signal from the PHY was not set during a frame transmission.</p>
Bit 9	LC	rw	<p>Late collision</p> <p>When set, this bit indicates that frame transmission was aborted due to a collision detected after the collision window (64 byte times, including preamble, in MII mode). This bit is invalid if the underflow error bit is set.</p>
Bit 8	EC	rw	<p>Excessive collision</p> <p>When set, this bit indicates that the frame transmission was aborted after 16 consecutive collisions while attempting to transmit the current frame. If the RD bit (Retry disabled) bit in the EMAC_MACCTRL register is set, then this bit is set after the first collision, and the transmission of the frame is aborted.</p>
Bit 7	VF	rw	<p>VLAN frame</p> <p>When set, this bit indicates that the transmitted frame is a VLAN-type frame.</p>
Bit 6: 3	CC	rw	<p>Collision count</p> <p>This field indicates the number of collisions experienced before the frame was transmitted. This bit is invalid when the EC bit is set (TDES0[8]). It is valid only in half-duplex mode.</p>
Bit 2	ED	rw	<p>Excessive deferral</p> <p>When set, this bit indicates that the transmission ended because of excessive deferral of over 24288 bit times when the DC bit is set in the EMAC_MACCTRL register.</p>
Bit 1	UF	rw	<p>Underflow error</p> <p>When set, this bit indicates that the MAC stopped the frame transmission because data arrived late from the system memory to the MAC. Underflow error indicates that the DMA encountered an empty transmit buffer while transmitting the frame. The transmission process enters the suspend state and sets both the bit 5 (TU) in the EMAC_DMASTS register and the transmit interrupt bit (bit 0 in the EMAC_DMASTS register)</p>
Bit 0	DB	rw	<p>Deferred bit</p> <p>When set, this bit indicates that the MAC defers frame transmission because of the presence of the carrier. This bit is valid only in half-duplex mode.</p>

TDES1: Transmit descriptor word 1

Bit	Name	Type	Description
Bit 31: 29	Reserved	resd	Kept at its default value.
Bit 28: 16	TBS2	rw	<p>Transmit buffer 2 size</p> <p>This field indicates the second data buffer size in bytes. When the TDES0[20] bit is set, this field indicates the second descriptor address.</p>
Bit 15: 13	Reserved	resd	Kept at its default value.
Bit 12: 0	TBS1	rw	<p>Transmit buffer 1 size</p> <p>This field indicates the first data buffer size in bytes. If the field is 0, the DMA ignores</p>

this buffer and uses buffer 2 or the next buffer, depending on the TDES0[20] bit.

TDES2: Transmit descriptor word2

TDES2 contains the address pointer to the first buffer of the descriptor or it contains the lower 32-bit time stamp data.

Bit	Name	Type	Description
Bit 31:0	TBAP1/T TSL	rw	Transmit buffer 1 address pointer / Transmit frame time stamp low This field has two functions: 1: The application indicates to the DMA the location of the Ethernet data in system memory. 2: After all data are transferred, the DMA can use these bits to store the time stamp of the transmit frame.
	TBAP1		When the current descriptor is owned by the DMA, these bits indicate the physical address of the buffer 1.
	TTSL		Before it releases the descriptor to the CPU, the DMA writes the 32 least significant bits of the time stamp capture for the corresponding transmit frame to this field. This field has the time stamp only when the TTSE bit in the TDES0 and the LS bit for the frame are set.

TDES3: Transmit descriptor word3

TDES3 contains the address pointer to the second buffer of the descriptor or the next descriptor, or it contains time stamp data.

Bit	Name	Type	Description
Bit 31:0	TBAP2/T TSH	rw	Transmit buffer 2 address pointer (Next descriptor address) / Transmit frame time stamp high This field has two functions: 1: The application indicates to the DMA the location of the Ethernet data in system memory. 2: After all data are transferred, the DMA can use these bits to store the 32 most significant bits of the time stamp for the frame.
	TBAP2		When the current descriptor is owned by the DMA, these bits indicate the physical address of buffer2 if a descriptor ring structure is used. If a descriptor chain structure is used, these bits indicate the physical address of the next descriptor.
	TTSH		Transmit frame time stamp high The DMA updates these bits with the 32 most significant bits of the time stamp captured for the corresponding frame. This field has the time stamp only when the TTSE bit in the TDES0 and the LS bit for the frame are set.

RXDMA configuration

1. The application sets up receive descriptors (RDES0~RDES3), sets the OWN bit and then releases the descriptors to the DMA.
2. When the SSR bit (EMAC_DMAOPM[1]) is set, the DMA enters run state and attempts to acquire receive descriptors. If the fetched descriptor is not free (owned by the CPU), the DMA enters suspend state and jumps to Step 9.
3. The DMA decodes the receive buffer address from the acquired receive descriptors.
4. The DMA writes the frame data in the RXFIFO to the receive buffer.
5. When the buffer is full or the frame transfer ends, the receive controller will fetch the next descriptor from the descriptor queue.
6. If the current frame transfer is complete, the DMA jumps to Step 7. If the OWN bit of the next receive descriptor is cleared while the current frame is not complete (EOF is not received), when the frame flushing function is enabled, the DMA sets the descriptor error bit in the RDES0, closes the current descriptor (OWN=0) and sets the LS bit in the RDES1, and then jumps to Step 8 (Note that the LS bit in the RDES1 will not be set if the frame flushing feature is disabled). When the OWN bit of the next descriptor is set while the current frame transfer is not complete, the DMA then closes the current descriptor, marks it as intermediate and jumps to Step 4.
7. If IEEE1588 time stamp is enabled, the DMA writes the time stamp to the current descriptor's RDES2 and RDES3 while it writes the status word to the RDES0, with the OWN bit cleared and

the LS bit set.

8. The receive controller checks the latest receive descriptors, if the DMA owns the descriptor, the receive controller will return to Step 4. If the CPU owns the descriptor, the RXDMA will enter suspend state and set the receive buffer unavailable bit, and the controller will flush the received frames if the receive frame flushing feature is enabled.
9. The DMA exits the suspend state when a receive poll demand is received or the start of the next frame is available in the receive FIFO. The receive controller fetches the next descriptor and jumps to Step 2.

Receive descriptor acquisition

The RXDMA always attempts to acquire another descriptor. Receive descriptor is attempted if any of the following conditions is satisfied:

- The DMA enters the run state (SSR=1 in the EMAC_DMAOPM)
- The buffer of the current descriptor is full before a full or part of the frame being transferred
- The controller has completed the current frame reception, but the current receive descriptor has not yet been closed
- A new frame is received but the receive process is suspended because the descriptor is owned by the CPU
- A receive poll demand received.

Receive frame processing

The MII/RMI interface receives the receive frame and writes it to the RXFIFO. When a programmed threshold is reached, the RXDMA begins transferring the frame data to the receive buffer pointed to by the current descriptor. The DMA sets the LS bit in the RDES0 to indicate that this is the first segment of the frame in the buffer. The descriptors are released by clearing the OWN bit when the data buffer fills up or at the end of the frame reception. If the current descriptor buffer is enough to accommodate the complete frame, the current description RDES0 LS and FS bits are set.

The DMA fetches the next descriptor, sets the LS bit in the previous descriptor, writes the receive status word to the previous descriptor and then closes the previous descriptor. Then the DMA sets the receive interrupt bit (EMAC_DMASTS[6]). The same process repeats unless the DMA finds a descriptor as being owned by the CPU. If this occurs, the receive process sets the receive buffer unavailable bit (EMAC_DMASTS[7]) and then enters the suspend state. Before the suspend state is being entered, the current pointer value in the descriptor list is retained, which is used as the start address of a descriptor after exiting the suspend state.

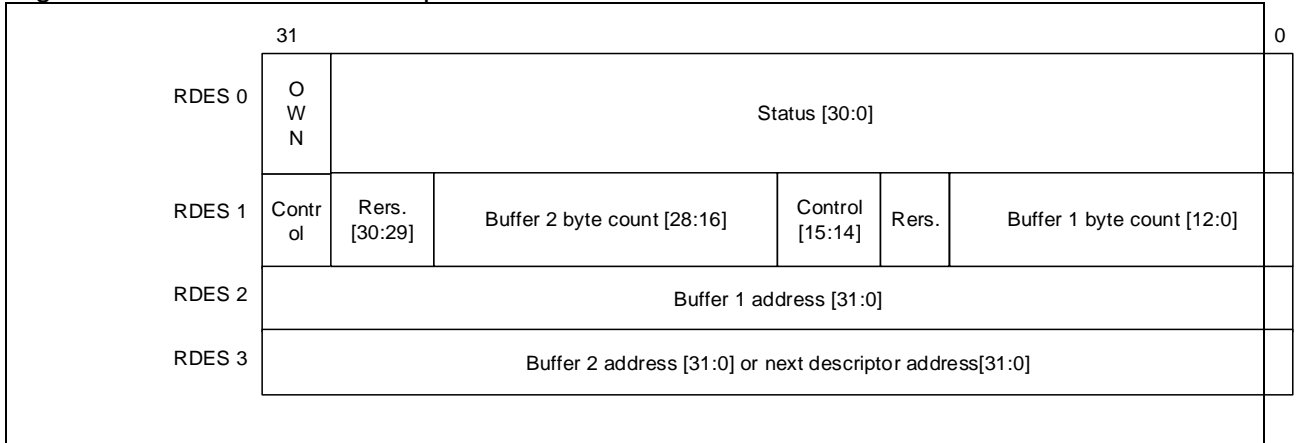
Receive process suspended

If a new receive frame arrives in the RXFIFO while the RXDMA is in suspend state, the DMA re-fetches the current descriptor in the AT32F407xx memory. If the OWN bit of the fetched descriptor is set, the receive process re-enters the run state. If the OWN bit is cleared, the DMA discards the current frame at the top of the RXFIFO and increments the missed frame counter. If more than one frame is stored in the RXFIFO, the process repeats. The flushing or discarding of the frame at the top of the receive FIFO can be avoided by setting the bit 24 (DFRF bit) in the EMAC_DMAOPM register. In this case, the receive process sets the receive buffer unavailable bit and returns to the suspend state.

RXDMA descriptors

The descriptor structure consists of four 32-bit words : RDES0, RDES1, RDES2 and RDES3.

Figure 26-12 RXDMA descriptor structure



RDES0: Receive descriptor word0

RDES0 contains the receive frame state, the frame length and the descriptor ownership information.

Bit	Name	Type	Description
Bit 31	OWN	rw	<p>Own bit</p> <p>0: The descriptor is owned by the CPU</p> <p>1: The descriptor is owned by the DMA</p> <p>This bit is cleared by the DMA when the DMA completes the frame transmission or when the buffers associated with this descriptor are full. The descriptor is released to the CPU.</p>
Bit 30	AFM	rw	<p>Destination address filter fail</p> <p>When set, this bit indicates that a frame failed the DA filter in the MAC core.</p>
Bit 29: 16	FL	rw	<p>Frame length</p> <p>These bits indicate the byte length of the received frame that was transferred to the system memory by the DMA. This field is valid only when the LS bit (RDES0[8]) is set and descriptor error bit is cleared (RDES0[14]). If the LS bit is cleared, this field indicates the accumulated number of bytes that have been transferred to the system memory. Whether the frame length includes CRC depends on the bit 7 and bit 25 in the EMAC_MACCTRL register.</p>
Bit 15	ES	rw	<p>Error summary</p> <p>This bit indicates the logical OR of the following bits:</p> <p>RDES0[1]: CRC error</p> <p>RDES0[3]: Receive error</p> <p>RDES0[4]: Watchdog timeout</p> <p>RDES0[6]: Late collision;</p> <p>RDES0[7]: Giant frame or IP checksum error</p> <p>RDES0[11]: Overflow error</p> <p>RDES0[14]: Descriptor error</p>
Bit 14	DE	rw	<p>Descriptor error</p> <p>When set, this bit indicates a frame truncation caused by a frame that does not fit with the current descriptor buffers, and that the DMA does not own the next descriptor. This bit is valid only when the LS bit (RDES0[8]) is set.</p>
Bit 13	SAF	rw	<p>Source address filter fail</p> <p>When set, this bit indicates that the received frame failed the SA filter in the MAC core.</p>
Bit 12	LE	rw	<p>Length error</p> <p>When set, this bit indicates that the actual length of the received frame does not match the value in the Ethernet length/type field. This bit is valid only when the RDES0[5] bit is cleared. It is invalid when a CRC error occurs.</p>
Bit 11	OE	rw	<p>Overflow error</p> <p>When set, this bit indicates that the received frame was damaged due to receive FIFO overflow.</p>
Bit 10	VLAN	rw	VLAN tag

			When set, this bit indicates that the frame pointed to by the current descriptor is marked as a VLAN frame by the MAC.
Bit 9	FS	rw	<p>First descriptor</p> <p>When set, this bit indicates that this descriptor contains the first buffer of the frame. If the size of the first buffer is 0, the second buffer contains the beginning of the frame. If the size of the second buffer is also 0, the buffer of the next descriptor contains the beginning of the frame.</p>
Bit 8	LS	rw	<p>Last descriptor</p> <p>When set, this bit indicates that the buffers pointed to by this descriptor are the last buffers of the frame.</p>
Bit 7	IPHCE	rw	<p>IPv header checksum error</p> <p>When set, this bit indicates an error in the IPv4 or IPv6 header. This error can be due to mismatched Ethernet type field and IP version field, IPv4 header checksum error or an Ethernet frame lacking the desired number of IP header bytes.</p>
Bit 6	LC	rw	<p>Late collision</p> <p>When set, this bit indicates that a late collision has occurred while receiving the frame in half-duplex mode.</p>
Bit 5	FT	rw	<p>Frame type</p> <p>When set, this bit indicates that the received frame is an Ethernet frame (the LT field is greater than or equal to 1536). When this bit is cleared, it indicates that the received frame is an IEEE802.3 frame. This bit is invalid when the received frame is a runt frame shorter than 14 bytes.</p>
Bit 4	RWT	rw	<p>Receive watchdog timeout</p> <p>When set, this bit indicates the receive watchdog timeout has occurred while receiving the current frame. The current frame is truncated after the watchdog timeout.</p>
Bit 3	RE	rw	<p>Receive error</p> <p>When set, this bit indicates that the RX_ER signal is valid while the RX_DV is valid during frame reception.</p>
Bit 2	DE	rw	<p>Dribble bit error</p> <p>When set, this bit indicates that the received frame is not an integer multiple of bytes (odd nibbles) This bit is valid only in MII mode.</p>
Bit 1	CE	rw	<p>CRC error</p> <p>When set, this bit indicates a CRC error occurred on the received frame. This bit is valid only when the LS bit is set.</p>
Bit 0	PCE	rw	<p>Payload checksum error</p> <p>When set, this bit indicates that the TCP、UDP or ICMP checksum calculated by the MAC core does not match the received TCP, UDP or ICMP checksum field. This bit is also set when the received payload size does not match the length field value of the IPv4 or IPv6 datagram in the received Ethernet frame.</p>

Table 26-7 shows the definitions of bit 5, 7 and 0.

Table 26-7 Receive descriptor 0

Bit 5: Frame type	Bit 7: Checksum error	Bit 0: Payload checksum error	Frame status
0	0	0	IEEE802.3 type frame (length field value is less than 0x0600)
1	0	0	IPv4/IPv6 type frame, no checksum error detected
1	0	1	IPv4/IPv6 type frame with payload checksum error detected (PCE bit)
1	1	0	IPv4/IPv6 type frame with an IP header checksum error detected (IPC CE bit)
1	1	1	IPv4/IPv6 type frame with both IP header and payload checksum errors detected
0	0	1	IPv4/IPv6 type frame with no IP header checksum error detected and the payload check bypassed due

to an unsupported payload

0	1	1	A type frame is neither IPv4 nor IPv6 (the checksum offload bypasses checksum inspection)
0	1	0	Reserved

RDES1: Receive descriptor 1

Bit	Name	Type	Description
Bit 31	DIC	rw	Disable interrupt on completion When set, this bit prevents setting the Ethernet DMA status register's RECV bit (EMAC_DMASTS) for the received frame pointed to by this descriptor. As a result, this disables the interrupt triggered by the RECV bit. This bit is valid only when the RDES0[8] is set.
Bit 30:29	Reserved	resd	Kept at its default value.
Bit 28:16	RBS2	rw	Receive buffer 2 size This field indicate the receive buffer 2 size, in bytes. It is invalid if the RDES1[14] bit is set.
Bit 15	RER	rw	Receive end of ring When set, this bit indicates that the current descriptor is the last one in the descriptor list. The DMA returns to the base address to fetch the next descriptor, creating a descriptor ring.
Bit 14	RCH	rw	Second address chained When set, this bit indicates that the second address in the descriptor is the next descriptor address rather than the second buffer address. When this bit is set, RBS2(TDES1[28:16]) value can be ignored. RDES0[15] takes precedence over RDES0[14].
Bit 13	Reserved	resd	Kept at its default value.
Bit 12:0	RBS1	rw	Receive buffer 1 size This field indicates the receive buffer 1 size, in bytes. If this field is 0, the DMA ignores this buffer and uses buffer 2 or next descriptor depending on the RDES[14] value.

RDES2: Receive descriptor word2

RDES2 contains the address pointer to the first data buffer in the descriptor, or it contains time stamp data.

Bit	Name	Type	Description
Bit 31:0	RBAP1/R TSL	rw	Receive buffer 1 address pointer /Receive frame time stamp low These bits have two functions. The application uses them to indicate to the DMA where to store the data in memory. After completing data reception, the DMA may use these bits to store frame time stamp.
	RBAP1		When this descriptor is owned by the DMA, these bits indicate the physical address of buffer 1.
	RTSL		Before it releases the descriptor, the DMA updates this field with the 32 least significant bits of the time stamp. The time stamp is written by the DMA only when the time stamp and LS bit are set (indicating that the last segment of the frame is stored in memory).

RDES3: Receive descriptor word3

RDES3 contains the address pointer to the second data buffer in the descriptor, or it contains time stamp data.

Bit	Name	Type	Description
Bit 31:0	RBAP2/R TSH	rw	Receive buffer 2 address pointer (next descriptor address)/Receive frame time stamp high These bits have two functions. The application uses them to indicate to the DMA where to store the data in memory. After completing data reception, the DMA may use these bits to store frame time stamp.
	RBAP2		When this descriptor is owned by the DMA, these bits indicate the physical address of buffer 2 when a descriptor ring structure is used. If the second address chained bit (RDES0[14]) is set, these bits point to the physical address of the next descriptor while the next descriptor is present.
	RTSH		Before it releases the descriptor, the DMA updates this field with the 32 most

		significant bits of the time stamp. The time stamp is written by the DMA only when the time stamp and LS bit are set (indicating that the last segment of the frame is stored in memory).
--	--	---

26.2.4 Ethernet frame transmission and reception using DMA

The EMAC enters power-off mode when the PD bit is enabled in the EMAC_MACPMTCTRLSTS register. In this mode, all received frames are dropped by the EMAC and they are not forwarded to the application. PMT supports the reception of remote wakeup frames and AMD Magic Packet frames and uses them to wake up the EMAC from power-off mode. This is done by setting the ERWF and EMP bits in the EMAC_MACPMTCTRLSTS register.

Remote wakeup frame filter register

There are eight wakeup frame filter registers, each of which requires to be configured one by one. The desired values of the wakeup frame filter are loaded by sequentially loading eight times the wakeup frame filter register. The read operation is identical to the write operation. To read the eight values, the user has to read the wakeup frame filter register for consecutive eight times.

Figure 26-13 Wakeup frame filter register

Wkupktfilter_reg0	Filter 0 Byte Mask							
Wkupktfilter_reg1	Filter 1 Byte Mask							
Wkupktfilter_reg2	Filter 2 Byte Mask							
Wkupktfilter_reg3	Filter 3 Byte Mask							
Wkupktfilter_reg4	RESD	Filter 3 Cmd	RESD	Filter 2 Cmd	RESD	Filter 1 Cmd	RESD	Filter 0 Cmd
Wkupktfilter_reg5	Filter 3 Offset		Filter 2 Offset		Filter 1 Offset		Filter 0 Offset	
Wkupktfilter_reg6	Filter 1 CRC-16				Filter 0 CRC-16			
Wkupktfilter_reg7	Filter 3 CRC-16				Filter 2 CRC-16			

Filter i byte mask

This register defines which bytes of the filter i ($i=0\sim3$) are used to determine whether or not the frame is a wakeup frame. The bit 31 must be zero. The bit $j[30:0]$ is the byte mask. If the bit j is set, then filter i offset $+j$ of the incoming frame will be processed by the CRC block, otherwise filter i offset $+j$ is ignored.

Filter i command

This is a 4-bit command. Bit 3 defines the address type. When the bit is set, this feature applies to only multicast addresses. When the bit is cleared, this feature applies to only unicast addresses. Bit 2 and bit 1 are reserved. Bit 0 is the filter enable bit. This filter is disabled if the bit 0 is cleared.

Filter i offset

This is an 8-bit register that defines the offset for the filter i first byte to be examined by filter i . The minimum allowed is 12, which refers to the 13th byte of the frame (offset value 0 means the first byte of the frame)

Filter i CRC-16

This register contains the CRC_16 value calculated by the filter, and the byte mask value programmed in the wakeup frame filter register block.

Remote wakeup frame detection

This mode is enabled by setting the RRWF bit in the EMAC_MACPMTCTRLSTS register.

PMT supports four programmable filters. If the incoming frame passed the address filtering of the filter, and if the filter CRC_16 matches the examined incoming frame, then the wakeup frame is received. PMT

is only responsible for checking length error, FCS error, Dribble bit error, Mill error, collision and ensuring that the wakeup frame is not a runt frame.

When a remote wakeup frame is received, the EMAC will move from sleep mode to normal mode. At the same time, the RRWF bit (bit6) is set in the EMAC_MACPMTCTRLSTS register, indicating that a remote wakeup frame is received. If a remote wakeup interrupt is enabled, an interrupt will be generated when the PMT receives the remote wakeup frame.

Magic Packet detection

Magic Packet detection is enabled by setting the EMP bit in the EMAC_MACPMTCTRLSTS register. The Magic Packet frame contains a specific packet of information that is used to wakeup the stations on the LAN.

Magic Packet frame format: 6 bytes are all 1, followed by a MAC address repeating 16 times, for instance, MAC address of a device is 0x11aabb22cc33, then the Magic Packet used to wake up this frame is shown as follows:

```
Destination address source address .....FFFF FFFF FFFF
11aa bb22 cc33 11aa bb22 cc33 11aa bb22 cc33 11aa bb22 cc33
11aa bb22 cc33 11aa bb22 cc33 11aa bb22 cc33 11aa bb22 cc33
11aa bb22 cc33 11aa bb22 cc33 11aa bb22 cc33 11aa bb22 cc33
11aa bb22 cc33 11aa bb22 cc33 11aa bb22 cc33 11aa bb22 cc33
... CRC
```

In Sleep mode, the PMT will constantly detect each frame transferred to the station to determine whether or not the frame meets the Magic Packet format.

When the Magic Packet is received, the RMP bit will be updated in the EMAC_MACPMTCTRLSTS register. Upon the reception of Magic Packet, the PMT will generate an interrupt if enabled.

Precautions on system in DEEPSLEEP mode

In DEEPSLEEP mode, the Ethernet PMT block is still able to detect frames as long as the EXTI 19 is enabled. However, the RE bit has to be set in the EMAC_MACCTRL register because the EMAC needs to detect Magic Packet or a remote wakeup frame.

DEEPSLEEP and wakeup sequences are recommended as follows:

1. Disable the TXDMA and wait for all data transmission to complete. These transmissions can be checked by polling the TI bit in the EMAC_DMASTS register.
2. Disable the MAC transmitter and MAC receiver by clearing the TE and RE bits in the EMAC_MACCTRL register.
3. Poll the RI bit in the EMAC_DMASTS register, and wait for the RXDMA to read all the frames in the RXFIFO, and then disable the RXDMA.
4. Configure and enable the EXTI19 to generate either an event or an interrupt.
5. Enable Magic Packet/remote wakeup frame detection by setting the EMP/ERWF bit in the EMAC_MACPMTCTRLSTS register.
6. Enable power-down mode by setting the PD bit in the MAC_MACPMTCTRLSTS register.
7. Enable the EMAC receiver by setting the RE bit in the EMAC_MACCTRL register.
8. MCU enters DEEPSLEEP mode.
9. Upon receiving Magic Packet/a remote wakeup frame, the Ethernet exits the power-down mode.
10. Read the EMAC_MACPMTCTRLSTS register to clear RRWF/RMP, enable the EMAC transmit state machine, and the TXDMA and RXDMA.
11. Configure the MCU system clock.

26.2.5 IEEE1588 precision time protocol

The PTP is used to synchronize systems that include clocks of varying precision, resolution and stability (not limited to Ethernet). Refer to IEEE1588 standard for more information.

The PTP block captures the accurate time when a PTP packet is transmitted or received from Ethernet port, and the captured time is returned to the application.

Reference clock source

According to IEEE158 standard, the system requires a reference time in a 64-bit format as the current time record, with the upper 32 bits time information in seconds, and the lower 32 bits time information in nanoseconds.

The PTP reference clock is used to generate the system time and to capture time stamps. The frequency of this reference clock must be greater or equal to the resolution of time stamp counter. The synchronization accuracy between the master node and the slave node is around 100ns.

The time synchronization accuracy depends on the PTP reference clock input period, the frequency drift of the crystal oscillator and that of the synchronization procedure.

Transmission and reception of frames with PTP feature

When the bit 0 is set in the EMAC_PTPTCTRL register and the bit 25 is also set in the TDES0 register, a frame's SFD is output on the MII, and then a time stamp is captured. The upper 32 bits and the lower 32 bits of the time stamp are stored in the TDES3 and TDES2, respectively so that the time stamp and transmit status work will be returned to the application all together.

When the bit 0 is set in the EMAC_PTPTCTRL register and the bit 8 is also set in the EMAC_PTPTCTRL register, the EMAC will capture the time stamp of all the received frames on the MII. The upper 32 bits and the lower 32 bits of the time stamp are stored in the RDES3 and RDES2, respectively so that the time stamp and receive status work will be returned to the application all together.

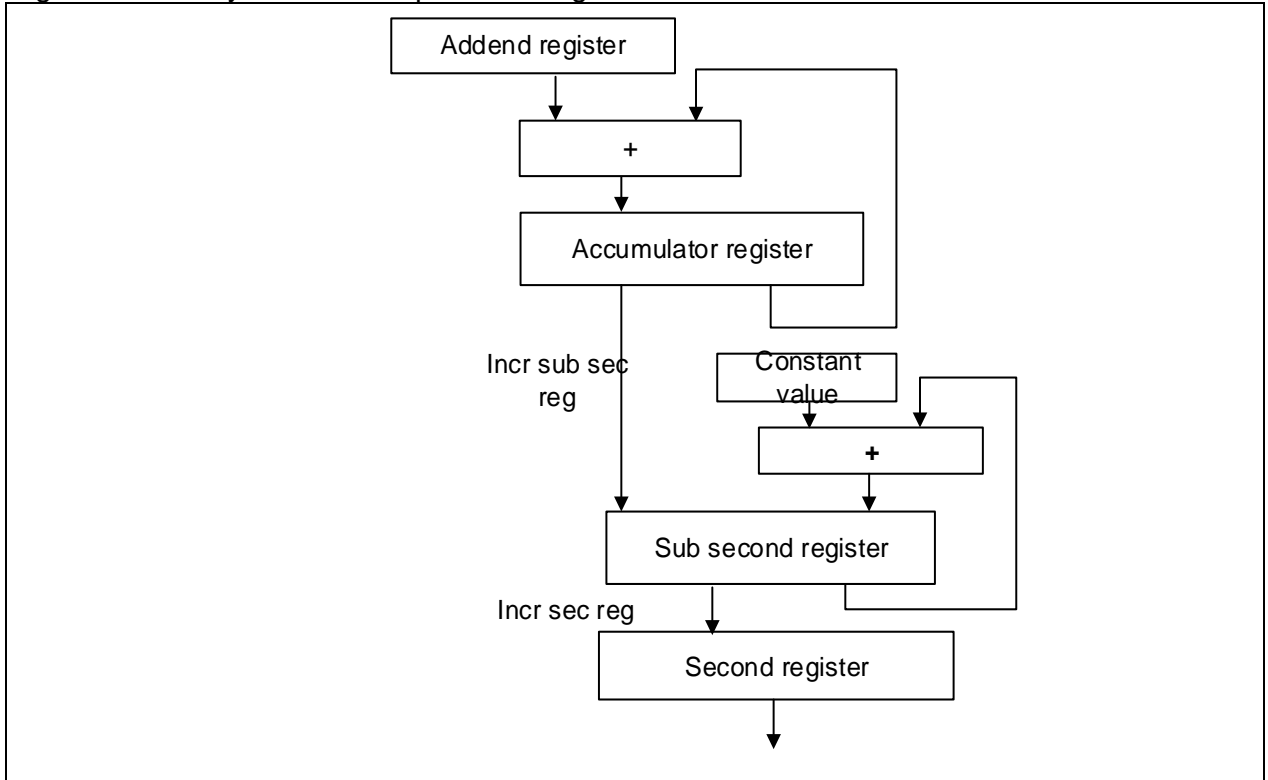
System time correction methods

The PTP input reference clock is the system clock SYSCLK, which is used to update the 64-bit time stamp of the Ethernet frames being transmitted or received. There are two correction methods: coarse and fine correction.

Coarse correction: the initial value/the offset value is written to the time stamp update registers (EMAC_PTPTSHUD and EMAC_PTPTSLUD). When the TI bit is set in the EMAC_PTPTCTRL register, an initialization process starts, and system clock counter is updated with the value in the time stamp update register. If the TU bit is set in the EMAC_PTPTCTRL register, a correction process starts, and the time stamp update register value is used as the offset value, and such offset value is added or subtracted from the system time.

Fine correction: the slave clock (reference clock) frequency drift with respect to the master clock (as defined in IEEE1588) is corrected over a period of time. An accumulator sums up the value of the addend register as shown in Figure 26-15. The pulse generated by the arithmetic carry of the accumulator is used to increment the system time counter. The addend register value depends on the system clock frequency. Both the accumulator and the addend are 32-bit registers.

Figure 26-14 System time update using the fine correction method



The subsecond register update frequency requires 50 MHz to achieve 20 ns accuracy for the system clock update circuit. Therefore, if the system clock frequency is 70 MHz, the ratio is calculated as $70/50=1.4$. Thus the value written to the addend register is $2^{32}/1.4$, which is equal to 0XB6DB6DB6.

The value in the addend register has to be updated according to the drift of the system clock frequency. If the subsecond register update frequency is 50 MHz, the constant value used to increment the subsecond register is $2^{31}/(50*10^6)=43$.

The software has to calculate the drift of the frequency by means of Sync, and to update the accumulator register accordingly. Initially, the slave clock addend register is programmed to be FreqCompensationValue0:

$\text{FreqCompensationValue0} = 2^{32}/\text{frequency division ratio}$. If the MasterToSlaveDelay is assumed to be the same for consecutive Sync messages. The algorithm below mentioned must be applied. After a few Sync cycles, the frequency is locked. The slave clock can then determine an accurate MasterToSlaveDelay value and synchronize the master with the slave clock using the new value. The algorithm is shown as follows:

When the master clock is MasterSyncTime_n , the master node sends the slave node a Sync message. The slave node receives this message when its local clock is SlaveClockTime_n , and computes MasterClockTime_n as

$$\text{MasterClockTime}_n = \text{MasterSyncTime}_n + \text{MasterToSlaveDelay}_n$$

The master clock count for the current Sync cycle, $\text{MasterClockCount}_n$ is:

$$\text{MasterClockCount}_n = \text{MasterClockTime}_n - \text{MasterClockTime}_{n-1}, \text{ assuming that the MasterToSlaveDelay is the same for Sync cycles } n \text{ and } n-1$$

The slave clock count for the current Sync cycle, SlaveClockCount_n is:

$$\text{SlaveClockCount}_n = \text{SlaveClockTime}_n - \text{SlaveClockTime}_{n-1}$$

The difference between the master clock count and slave clock count for the current Sync cycle, ClockDiffCount_n is

$$\text{ClockDiffCount}_n = \text{MasterClockCount}_n - \text{SlaveClockCount}_n$$

The frequency-ratio factor for a slave clock, FreqScaleFactor_n is

$$\text{FreqScaleFactor}_n = (\text{MasterClockCount}_n + \text{ClockDiffCount}_n) / \text{SlaveClockCount}_n$$

The frequency compensation value for the addend register, $\text{FreqCompensationValue}_n$ is

$$\text{FreqCompensationValue}_n = \text{FreqScaleFactor}_n \times \text{FreqCompensationValue}_{n-1}$$

This algorithm comes with a self-correction feature. In theory, the frequency can be locked at a synchronized cycle. However, it may makes several cycles to synchronize the slave device.

System time initialization procedure

1. Mask the time stamp trigger interrupt by setting the bit 9 in the EMAC_MAIMR register.
2. Enable the time stamp by setting the bit 0 in the EMAC_PTPTCTRL register.
3. Program the subsecond increment register based on the system time update precision
4. If the fine correction method is being used, program the EMAC_PTPTSAD register, set the bit 5 in the EMAC_PTPTCTRL register, poll the EMAC_PTPTCTRL register until the bit 5 becomes 0. For the coarse correction method, skip this step and directly jump to step 6.
5. To select the fine correction method, program the bit 1 in the EMAC_PTPTSTR register.
6. Write the system time value to be configured to the EMAC_PTPTSHUD and EMAC_PTPTSLUD registers.
7. Set the bit 2 in the EMAC_PTPTCTRL register, and start initializing the time stamp and polling this bit until this bit becomes 0 (initialization complete).
8. The time stamp counter starts running as soon as the initialization is complete.
9. Enable the MAC transmitter and receiver for proper time stamping.

Programming steps for system time update using coarse correction method

1. Write the offset value (positive or negative) to the Ethernet PTP time stamp high update register (EMAC_PTPTSHUD) and the Ethernet PTP time stamp low update register (EMAC_PTPTSLUD)
2. Set the bit 3 (TU) in the Ethernet PTP time stamp control register (EMAC_PTPTCTRL)
3. When the TU bit is cleared, the value in the time stamp update registers is added to or subtracted from the system time.

Programming steps for system time update using fine correction method

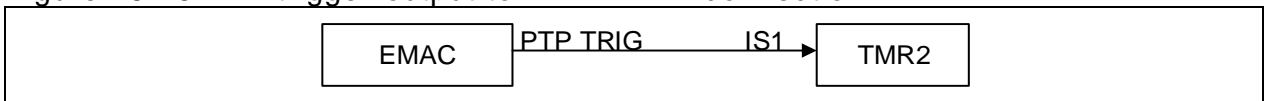
1. Use the algorithm explained in System time correction methods to calculate the value of the addend register.
2. Update the addend register
3. Write the target value you want to the target time high and target time low registers, and clear the bit 9 in the Ethernet MAC interrupt mask register (EMAC_MAIMR) to activate the time stamp interrupt.
4. Set the bit 4 (TITE) in the Ethernet PTP time stamp control register (EMAC_PTPTCTRL).
5. When this event generates an interrupt, read the EMAC_MAIMR register to clear the corresponding interrupt flag bits.
6. Reprogram the EMAC_PTPTSAD register with the old value and set the bit 5 in the EMAC_PTPTCTRL register to update the addend register.

PTP trigger internal connection with TMR2

The EMAC provides a trigger interrupt when the system time is greater than the target time. Using an interrupt introduces an interrupt latency. To obtain an accurate interrupt latency time, a PTP will output a high signal to the TMR2 when the system time becomes greater than the target value. An accurate interrupt latency can be calculated since the the clock of the timer and PTP reference clock are synchronous.

Set the bit 29 in the IOMUX_REMAP register to enable the connection between the PTP trigger signal and the TIM2 IS1.

Figure 26-15 PTP trigger output to TMR2 ITR1 connection



PTP second pulse output signal

Refer to the EMAC_PTPPPSR register descriptor for more information about PTP pulse second output. The following contents are based on the fact when the `emac_pps_sel` bit (bit 15) is cleared in the CRM_MISC3 register.

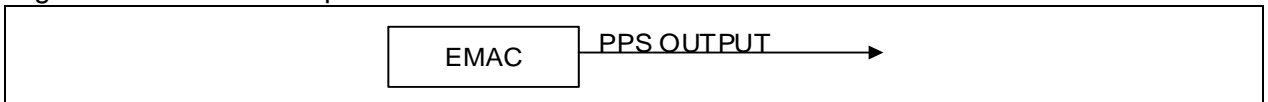
The PPS output frequency is 1 Hz by default, which can be configured to 2PPSFREQ Hz through the PPSFREQ[3: 0] in the EMAC_PTPPPSR register.

If it is 1 Hz, the pulse width of the PPS is 125 ms when the binary rollover control is selected (TSSSR=0 in the EMAC_PTPTSCTRL register); the pulse width of the PPS is 100 ms when the digital rollover control is selected (TSSSR=1).

If it is 2 Hz or over, the duty cycle of the PPS output is 50% when the binary rollover control is selected.

Set the bit 30 in the IOMUX_REMAP register to enable PPS output feature.

Figure 26-16 PPS output

**26.2.6 EMAC interrupts**

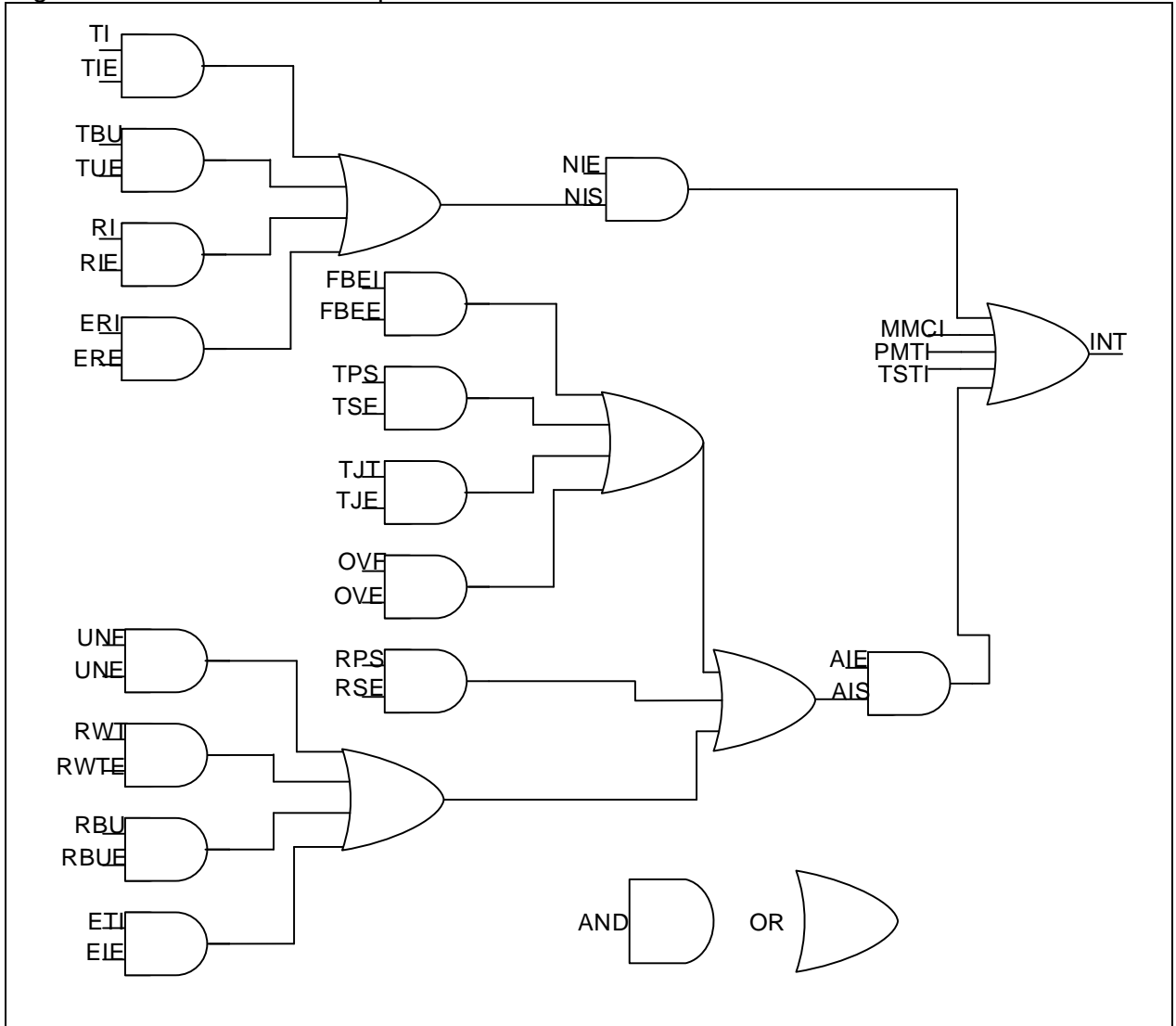
The EMAC has two interrupt vectors: one is used for normal Ethernet operations and the other for the Ethernet wakeup event (remote wakeup frame or Magic Packet detection) when it is mapped on EXINT line 19.

The first interrupt vector is used for interrupts generated by the MAC and the DMA.

The second interrupt vector is used for interrupts generated by the PMT block on wakeup events. It can cause the AT32F407xx to exit the low-power mode, and generate an interrupt.

When an Ethernet wakeup event is mapped on the EXINT line 19 and the EMAC PMT interrupt is enabled and the EXINT line 19 interrupt, detected on its rising edge, is also enabled, both interrupts are generated at the same time.

Figure 26-17 Ethernet interrupts



26.3 EMAC registers

Table 26-8 shows the Ethernet register map and its reset values.

The peripheral registers can be accessed by bytes (8-bit), half words (16-bit) or words (32-bit).

Table 26-8 Ethernet register map and its reset values

Register	Offset	Reset value
EMAC_MACCTRL	0x00	0x0000 8000
EMAC_MACFRMF	0x04	0x0000 0000
EMAC_MACHTH	0x08	0x0000 0000
EMAC_MACHTL	0x0C	0x0000 0000
EMAC_MACMIIADDR	0x10	0x0000 0000
EMAC_MACMIIDT	0x14	0x0000 0000
EMAC_MACFCTRL	0x18	0x0000 0000
EMAC_MACVLT	0x1C	0x0000 0000
EMAC_MACRWFF	0x28	0x0000 0000
EMAC_MACPMTCTRLSTS	0x2C	0x0000 0000
EMAC_MACISTS	0x38	0x0000 0000

EMAC_MAIMR	0x3C	0x0000 0000
EMAC_MACA0H	0x40	0x0010 FFFF
EMAC_MACA0L	0x44	0xFFFF FFFF
EMAC_MACA1H	0x48	0x0000 FFFF
EMAC_MACA1L	0x4C	0xFFFF FFFF
EMAC_MACA2H	0x50	0x0000 FFFF
EMAC_MACA2L	0x54	0xFFFF FFFF
EMAC_MACA3H	0x58	0x0000 FFFF
EMAC_MACA3L	0x5C	0xFFFF FFFF
EMAC_MMCTRL	0x100	0x0000 0000
EMAC_MMCR1	0x104	0x0000 0000
EMAC_MMCT1	0x108	0x0000 0000
EMAC_MMCR1M	0x10C	0x0000 0000
EMAC_MMCT1M	0x110	0x0000 0000
EMAC_MMCTFSCC	0x14C	0x0000 0000
EMAC_MMCTFMSCC	0x150	0x0000 0000
EMAC_MMCTFCNT	0x168	0x0000 0000
EMAC_MMCRFCECNT	0x194	0x0000 0000
EMAC_MMCRFAECNT	0x198	0x0000 0000
EMAC_MMCRGUF CNT	0x1C4	0x0000 0000
EMAC_PTPTCTRL	0x700	0x0000 2000
EMAC_PTPSSINC	0x704	0x0000 0000
EMAC_PTPTSH	0x708	0x0000 0000
EMAC_PTPTSL	0x70C	0x0000 0000
EMAC_PTPTSH	0x708	0x0000 0000
EMAC_PTPTSL	0x70C	0x0000 0000
EMAC_PTPTSHUD	0x710	0x0000 0000
EMAC_PTPTSLUD	0x714	0x0000 0000
EMAC_PTPTSAD	0x718	0x0000 0000
EMAC_PTPTTH	0x71C	0x0000 0000
EMAC_PTPTTL	0x720	0x0000 0000
EMAC_PTPTSSR	0x728	0x0000 0000
EMAC_PTPPPSCR	0x72c	0x0000 0000
EMAC_DMABM	0x1000	0x0002 0101
EMAC_DMATPD	0x1004	0x0000 0000
EMAC_DMARPD	0x1008	0x0000 0000
EMAC_DMARDLADDR	0x100C	0x0000 0000
EMAC_DMATDLADDR	0x1010	0x0000 0000
EMAC_DMASTS	0x1014	0x0000 0000
EMAC_DMAOPM	0x1018	0x0000 0000
EMAC_DMAIE	0x101C	0x0000 0000

EMAC_DMAMFBOCNT	0x1020	0x0000 0000
EMAC_DMACTD	0x1048	0x0000 0000
EMAC_DMACRD	0x104C	0x0000 0000
EMAC_DMACTBADDR	0x1050	0x0000 0000
EMAC_DMACRBADDR	0x1054	0x0000 0000

26.3.1 Ethernet MAC configuration register (EMAC_MACCTRL)

The Ethernet MAC configuration register defines the receive and transmit operation modes.

A delay greater than 4 us is required for two consecutive write accesses to this register.

Bit	Register	Reset value	Type	Description
Bit 31: 24	Reserved	0x00	resd	Kept at its default value.
Bit 23	WD	0x0	rw	<p>Watchdog Disable</p> <p>When this bit is set, the MAC disables the watchdog timer on the receiver, and can receive frames of up to 16,384 bytes.</p> <p>When this bit is cleared, the MAC allows no more than 2048 bytes of the frames being received.</p>
Bit 22	JD	0x0	rw	<p>Jabber Disable</p> <p>When this bit is set, the MAC disables the Jabber timer on the transmitter, and can transfer frames of up to 16,384 bytes.</p> <p>When this bit is cleared, the MAC cuts off the transmitter if the application sends out more than 2048 bytes of data during transmission.</p>
Bit 21: 20	Reserved	0x0	resd	Kept at its default value.
位 19: 17	IFG	0x0	rw	<p>InterFrame Gap</p> <p>These bits are used to define the minimum interframe gap between frames during transmission.</p> <p>000: 96 bit times 96 bit times 001: 88 bit times 88 bit times 010: 80 bit times 80 bit times ... 111: 40 bit times 40 bit times</p> <p>In half-duplex mode, the minimum IFG can be configured as 64 bit times (IFG=100). Lower values are not allowed.</p>
Bit 16	DCS	0x0	rw	<p>Disable Carrier Sense</p> <p>When this bit is set, the MAC transmitter will ignore the MII CRS signal during frame transmission in half-duplex mode. No error is reported due to loss of carrier or no carrier during transmission.</p> <p>When this bit is cleared, the MAC transmitter will report errors due to carrier sense and even abort the transmission.</p> <p>This bit is reserved in full-duplex mode.</p>
Bit 15	Reserved	0x1	resd	Kept at its default value.
Bit 14	FES	0x0	rw	<p>Fast EMAC Speed</p> <p>This bit indicates the speed of the MII, RMI interface.</p> <p>0: 10 Mbps 1: 100 Mbps</p>
Bit 13	DRO	0x0	rw	<p>Disable Receive Own</p> <p>When this bit is set, the MAC disables the frame reception in half-duplex mode if the phy_txen_o is enabled.</p> <p>When this bit is cleared, the MAC will receive all packets that are given by the PHY during transmission.</p> <p>This bit is not applicable when the MAC is in full-duplex</p>

				mode. This bit is reserved (with default value RO) when the MAC is configured as "For full-duplex mode only" mode.
Bit 12	LM	0x0	rw	<p>Loopback Mode</p> <p>When this bit is set, the MAC MII operates in loopback mode. The MII receive clock input (clk_rx_i) is required for the loopback mode to work normally, for the transmit clock is not looped-back internally.</p>
Bit 11	DM	0x0	rw	<p>Duplex Mode</p> <p>When this bit is set, the MAC operates in full-duplex mode, in which it can transmit and receive simultaneously.</p>
Bit 10	IPC	0x0	rw	<p>IPv4 Checksum</p> <p>When this bit is set, the MAC calculates the 16-bit complement sum of all received Ethernet frames and enables IPv4 header checksum (assuming it is bytes 26-26 or 29-30 (VLANtagged)) for received frames, and gives the status in the receive status information.</p> <p>The MAC also appends the 16-bit checksum of the calculated IP header packets (bytes after the IPv4 header), and adds it to the Ethernet frame that has been sent out to the application (when Type 2 COE is deselected).</p> <p>When this bit is cleared, this feature is disabled.</p> <p>When this bit is set, IPv4 header checksum feature and IPv4 or IPv6 TCP, UDP or ICMP payload checksum feature is enabled while the Type 2 COE is selected. When this bit is cleared, the COE function in the receiver is disabled, and the corresponding PCE and IP HCE status bits are always 0. This bit is reserved (with default value RO) if the IP checksum mechanism is disabled during the core configuration.</p>
Bit 9	DR	0x0	rw	<p>Disable Retry</p> <p>When this bit is set, the MAC attempts only 1 transmission. When a collision occurs on the MII interface, the MAC will ignore the current frame transmission and report a frame abort because of excessive collision error in the transmit frame status.</p> <p>When this bit is cleared, the MAC attempts retries based on the settings of BL ([6: 5]). This bit is applicable only in half-duplex mode. It is reserved (with default value RO) in "For full-duplex mode only" mode.</p>
Bit 8	Reserved	0x0	resd	Kept at its default value.
Bit 7	ACS	0x0	rw	<p>Automatic pad/CRC Stripping</p> <p>When this bit is set, the MAC strips the pad/FCS field on received frames only when the frame length is shorter than 1536 bytes. All received frame with length field greater than or equal to 1536 bytes are passed on to the application without stripping the Pad or FCS field.</p> <p>When this bit is cleared, the MAC will forward all received frames to the master without changing its contents.</p>
Bit 6: 5	BL	0x0	rw	<p>Back-off Limit</p> <p>The Back-off limit defines the random integer number (r) of slot time delays (512 bit times for 10/100 Mbps) the MAC waits before retries after a collision. This field is applicable only in the half-duplex mode. It is reserved (RO) in "For full-duplex mode only" mode.</p> <p>00: k = min (n, 10) 01: k = min (n, 8) 10: k = min (n, 4) 11: k = min (n, 1)</p> <p>Where n = the number of slot time delays for</p>

				retransmission attempt. r takes the random integer value in the range $0 \leq r < 2k$.
Bit 4	DC	0x0	rw	<p>Deferral Check</p> <p>When this bit is set, the deferral check function is enabled in the MAC. The MAC issues a frame abort status and sets the excessive deferral error flag bit in the transmit frame status when the transmit state machine is delayed for more than 24288 bit times in 10/100 Mbit/s mode.</p> <p>If the Jumbo frame mode is enabled in 10/100 Mbps mode, the deferral threshold is 155680 bit times. Deferral begins when the transmitter is ready to transmit, but is prevented when an active carrier sense signal is detected on the MII. Deferral time is not cumulative. For instance, if the transmitter is deferred for 10000 bit times because that the CRS signal is active first, but then becomes inactive, then transmits, collides, backs off because of collision, and then has to defer again after the completion of back-off, the deferral times resets to 0 and restarts.</p> <p>When this bit is cleared, the deferral check function is disabled. The MAC defers until the CRS signal becomes inactive. This bit is applicable only in the half-duplex mode. It is reserved (RO) in "For full-duplex mode only" mode.</p>
Bit 3	TE	0x0	rw	<p>Transmitter Enable</p> <p>When this bit is set, the transmit state machine of the MAC is enabled. When this bit is cleared, the MAC disables the transmit state machine after the completion of the current frame transmission, and does not transmit any further frames (To modify this bit through consecutive commands, if needed, a deferral value greater than 4us is required between two consecutive operations)</p>
Bit 2	RE	0x0	rw	<p>Receiver Enable</p> <p>When this bit is set, the receive state machine of the MAC is enabled. When this bit is cleared, the MAC disables the receive state machine after the completion of the current frame reception, and does not receive any further frames (To modify this bit through consecutive commands, if needed, a deferral value greater than 4us is required between two consecutive operations).</p>
Bit 1: 0	Reserved	0x0	resd	Kept at its default value.

26.3.2 Ethernet MAC frame filter register (EMAC_ MACFRMF)

The Ethernet MAC frame filter register contains the filter control bits for receiving frames. Some of the control bits go to the address check block of the MAC to perform the first level of address filtering.

The second level of filtering is performed on the incoming frames based on other control bits (such as pass bad frames and pass control frames)

Bit	Register	Reset value	Type	Description
Bit 31	RA	0x0	rw	<p>Receive All</p> <p>When this bit is set, the MAC passes all received frames onto the application, irrespective of whether they have passed through the address filter. The result (pass or fail) of the source address or destination address filtering is updated in the corresponding bits of the receive status word. When this bit is cleared, the MAC passes on to the application only those frames that have passed the source address or destination address filtering.</p>
Bit 30: 11	Reserved	0x00000	resd	Kept at its default value.
Bit 10	HPF	0x0	rw	<p>Hash or Perfect Filter)</p> <p>When this bit is set, the address filter passes frames that match the perfect filter or hash filter set by the HMC or</p>

				<p>HUC bit.</p> <p>When this bit is cleared, if the HUC or HMC bit is set, only frames that match the hash filter can pass address filter.</p>
Bit 9	SAF	0x0	rw	<p>Source Address Filter</p> <p>When this bit is set, the MAC compares the source address of the received frame with the value programmed in the enabled source address registers. If the comparison mismatches, the MAC will drop this frame.</p> <p>(SAF). When this bit is cleared, the MAC forwards the received frame to the application and updates the source address filter bit (SAF) in the receive status based on the source address comparison.</p>
Bit 8	SAIF	0x0	rw	<p>Source Address Inverse Filtering</p> <p>When this bit is set, the address check block operates in inverse filtering mode. The frame whose source address matches the source address register is marked as failing the source address filter.</p> <p>When this bit is cleared, the frame whose source address does not match the source address register is marked as failing the source address filter.</p>
Bit 7: 6	PCF	0x0	rw	<p>Pass Control Frames</p> <p>These bits control the forwarding of all control frames (including unicast and multicast Pause frames).</p> <p>00: MAC filters all control frames and prevents them from reaching the application</p> <p>01: MAC forwards all control frames, except Pause frame, to the application even if they fail the address filter</p> <p>10: MAC forwards all control frames to the application even if they fail the address filter</p> <p>11: MAC forwards control frames that pass the address filter to the application</p> <p>The following conditions must be met when dealing with a Pause frame:</p> <p>1: When the MAC is in full-duplex mode, the bit 2 (REF) is set in the register 6 (flow control register) to enable flow control.</p> <p>2: When the bit 3 (UP) is set in the register 6 (flow control register), the destination address of the received frames matches the specific multicast address or MAC address 0.</p> <p>3: Type field of the receive frame is 0x8808, and the OPCODE field is 0x0001.</p>
Bit 5	DBF	0x0	rw	<p>Disable Broadcast Frames</p> <p>When this bit is set, the address filters filter all incoming broadcast frames. In addition, all other filter settings will also be overwritten.</p> <p>When this bit is set, the address filters pass all incoming broadcast frames.</p>
Bit 4	PMC	0x0	rw	<p>Pass MultiCast</p> <p>When this bit is set, all frames with a multicast destination address (first bit in the destination address is set) are passed.</p> <p>When this bit is cleared, the filtering of a multicase frame depends on the HMC bit.</p>
Bit 3	DAIF	0x0	rw	<p>Destination Address Inverse Filtering</p> <p>When this bit is set, the address check block operates in inverse filtering mode for the destination address comparison for both unicast and multicast frames.</p> <p>When this bit is cleared, the filter work normally.</p>
Bit 2	HMC	0x0	rw	<p>Hash MultiCast</p> <p>When this bit is set, the MAC performs destination address</p>

				<p>filtering of the received multicast frames according to the hash table.</p> <p>When this bit is cleared, the MAC performs a perfect destination address filtering for multicast frames, that is, it compares the destination address field with the values programmed in the destination registers.</p> <p>This bit is reserved if Hash filter is not selected during core configuration.</p>
Bit 1	HUC	0x0	rw	<p>Hash UniCast</p> <p>When this bit is set, the MAC performs destination address filtering for unicast frames according to the hash table.</p> <p>When this bit is cleared, the MAC performs a perfect destination address filtering for unicast frames, that is, it compares the destination address field with the values programmed in the destination registers.</p>
Bit 0	PR	0x0	rw	<p>Promiscuous Mode</p> <p>When this bit is set, the address filters pass all incoming frames regardless of their destination or source address. When the PR is set, the source address or destination address error bits in the receive status word are always 0.</p>

26.3.3 Ethernet MAC Hash table high register (EMAC_MACHTH)

The 64-bit Hash table is used for group address filtering. For Hash filtering, the contents of the destination address of the incoming frame pass through the CRC logic, and the upper 6 bits in the CRC register are used to index the Hash table. The most significant bit of the CRC determines the register to be used (EMAC_MACHTH or EMAC_MACHTL), and the other 5 bits determine which bit in the register is to be used. The Hash value 5b'00000 uses the bit 0 in the selected register, while the Hash value 5b'11111 uses the bit 31 in the selected register.

The Hash value of the destination address is calculated according to the following steps:

1. Calculate a 32-bit CRC value of the destination address (see IEEE 802.3, and refer to 3.2.8 section for more details)
2. Bit invert the value obtained in Step 1
3. Take the upper 6 bits from the values obtained in Step 2

For example, if the destination address of the incoming frame is 0x1F52419CB6AF (0x1F is the first byte received on the MII interface), the calculated 6-bit Hash value is 0x2C and the bit 12 in the EMAC_MACHTH register is checked for filtering. If the destination address of the incoming frame is 0xA00A98000045, the calculated 6-bit Hash value is 0x07, and the bit 7 in the EMAC_MACHTL register is checked for filtering.

Bit	Register	Reset value	Type	Description
Bit 31	HTH	0x0000 0000	rw	This bit contains the upper 32 bits of the Hash table.

26.3.4 Ethernet MAC Hash table low register (EMAC_MACHTL)

The EMAC_MACHTL register contains the lower 32 bits of the Hash table. If the Hash filter is disabled or either 128-bit or 256-bit Hash table is selected, both register 2 and register 3 are reserved.

Bit	Register	Reset value	Type	Description
Bit 31	HTL	0x0000 0000	rw	<p>Hash Table Low</p> <p>This bit contains the lower 32 bits of the Hash table.</p>

26.3.5 Ethernet MAC MII address register (EMAC_MACMIIADDR)

The Ethernet MAC MII address register controls the external PHY through the management interface.

Bit	Register	Reset value	Type	Description
Bit 31: 16	Reserved	0x0000	resd	Kept at its default value.
Bit 15: 11	PA	0x00	rw	PHY Address This field indicates which of the 32 possible PHY devices are being accessed.
Bit 10: 6	MII	0x00	rw	MII Register This field select the desired MII register in the PHY device.
Bit 5: 2	CR	0x0	rw	Clock Range The CSR clock range selection determines the MDC clock frequency based on the used CSR clock frequency. Each value (when bit 5=0) has its corresponding CSR clock frequency range in order to ensure that the MDC clock frequency is roughly between 1.0 MHz and 2.5 MHz. 0000: CSR clock frequency is 60–100 MHz, and MDC clock frequency is CSR clock/42 0001: CSR clock frequency is 100–150 MHz, and MDC clock frequency is CSR clock/62 0010: CSR clock frequency is 20–35 MHz, and MDC clock frequency is CSR clock/16 0011: CSR clock frequency is 35–60 MHz, and MDC clock frequency is CSR clock/26 0100: CSR clock frequency is 150–250 MHz, and MDC clock frequency is CSR clock/102 0101: CSR clock frequency is 250–300 MHz, and MDC clock frequency is CSR clock/124 0110, 0111: Reserved
Bit 1	MW	0x0	rw	MII Write When this bit is set, it indicates that the EMAC_MACMIIDT register is used for a write operation to the PHY. When this bit is not set, it is a read operation, and the data is loaded to the EMAC_MACMIIDT register.
Bit 0	MB	0x0	rw	MII Busy This bit should read a logic 0 before writing to the EMAC_MACMIIADDR and EMAC_MACMIIDT register. During a PHY register access, this bit is set to 1'b1 by software, indicating that a read or write access is in progress. The EMAC_MACMIIDT register is invalid before this bit is cleared by the MAC. Thus, the MII data should be kept valid until this bit is cleared by the MAC during a PHY write operation. Similarly, the EMAC_MACMIIDT value is invalid until this bit is cleared by the MAC during a PHY read operation. The previous operation must be completed before performing subsequent read or write operations. This is because that there will be no acknowledgement from PHY to MAC after the completion of a read or write operation, the function of this bit will not change even if the PHY is not present.

26.3.6 Ethernet MAC MII data register (EMAC_MACMIIDT)

The Ethernet MAC MII data register stores data to be written to the PHY register located at the address specified in the EMAC_MACMIIADDR register. EMAC_MACMIIDT register also stores data read out from the PHY registers.

Bit	Register	Reset value	Type	Description
Bit 31: 16	Reserved	0x0000	resd	Kept at its default value. MII Data
Bit 15: 0	MD	0x0000	rw	This field contains the 16-bit value from the PHY after a read operation, or the 16-bit value to be written to the PHY before a write operation.

26.3.7 Ethernet MAC flow control register (EMAC_MACFCTRL)

The Ethernet MAC flow control register controls the generation and reception of the control frames by the MAC flow control block. Writing 1 to the Busy bit triggers the flow control block to generate a Pause frame. The field of the control frame is selected as defined in the 802.3x specification, and the Pause Time value from this register is used in the Pause Time field of the control frame. The Busy bit remains set before the control frame is transferred onto the cable. The host must make sure that the Busy bit is cleared before writing to the register.

Bit	Register	Reset value	Type	Description
Bit 31: 16	PT	0x0000	rw	Pause Time This field contains the value to be used in the Pause Time field of the control frame. If the Pause Time bit is configured to be double-synchronized to the MII clock domain, then consecutive write operations to this register should be performed only after at least four clock cycles in the destination clock domain.
Bit 15: 8	Reserved	0x00	resd	Kept at its default value.
Bit 7	DZQP	0x0	rw	Disable Zero-Quanta Pause When this bit is set, it disables the automatic generation of Zero-quanta Pause frame while the flow control signal of the FIFO layer is disabled. When this bit is cleared, normal operation resumes. The automatic generation of Zero-quanta Pause frame is enabled.
Bit 6	Reserved	0x0	resd	Kept at its default value.
Bit 5: 4	PLT	0x0	rw	Pause Low Threshold This field defines the threshold of the Pause timer. The threshold values should always be less than the Pause time defined in the [31: 16] bit. For example, if PT = 100H (256 slot times), and PLT = 01, then a second Pause frame is automatically transmitted if initiated at 228 (256-28) slot times after the first Pause frame is transmitted. Threshold selection as follows: 00: Pause time minus 4 slot times (PT minus 4 slot times) 01: Pause time minus 28 slot times (PT minus 28 slot times) 10: Pause time minus 144 slot times (PT minus 144 slot times) 11: Pause time minus 256 slot times (PT minus 256 slot times) Slot time is defined as the time taken to transmit 512 bits (64 bytes) on the MII interface.
Bit 3	DUP	0x0	rw	Detect Unicast Pause Frame The Pause frame with a unique multicast address as specified in the IEEE 802.3 will be processed. When this bit is set, the MAC detects the Pause frames with a unicast address specified in the MAC address0 high and MAC

				address0 low registers. When this bit is cleared, the MAC detects only a Pause frame with a unique multicast address. Note: If the multicast address of the received frame does not match the unique multicast address, the MAC will not process the Pause frame.
Bit 2	ERF	0x0	rw	Enable Receive Flow control When this bit is set, the MAC decodes the received Pause frame and disables the transmitter for a period of time. When this bit is cleared, the decode function of the Pause frame is disabled.
Bit 1	ETF	0x0	rw	Enable Transmit Flow control In full-duplex mode, when this bit is set, the MAC enables the flow control operation to transmit Pause frames. When this bit is cleared, the flow control of the MAC is disabled, and the MAC does not transmit any Pause frames. In half-duplex mode, when this bit is set, the MAC enables the back-pressure feature. When this bit is cleared, the back-pressure feature is disabled.
Bit 0	FCB/BPA	0x0	rw1c/rw	Flow Control Busy/Back Pressure Activate In full-duplex mode, this bit initiates a Pause frame; in half-duplex mode, the back-pressure feature is activated if the TFE bit is set. In full-duplex mode, this bit is read as 1'b0 before writing to the EMAC_MACFCTRL register. The application must set this bit to 1'b1 to initiate a Pause frame. During a control frame transmission, this bit remains set, indicating that a frame transmission is in progress. After the completion of the Pause frame, the MAC resets this bit to 1'b0. The Ethernet MAC flow control register (EMAC_MACFCTRL) should not be written until this bit is cleared. In half-duplex mode, when this bit is set (and the TFE is set), the back-pressure feature is activated by the MAC. During back pressure, when the MAC receives a new frame, the transmitter starts sending a JAM mode, resulting a collision. When the MAC is configured to full-duplex mode, the back-pressure (BAP) function is automatically disabled.

26.3.8 Ethernet MAC VLAN tag register (EMAC_MACVLT)

The Ethernet MAC VLAN tag register contains the IEEE 802.1Q VLAN tag to identify the VLAN frames. The MAC compares the 13th and 14th bytes of the received frame (length/type) with 16'h8100, and the following 2 bytes are compared with the VLAN tag. If the comparison matches, the VLAN bit is set in the receive frame status. The legal length of the VLAN frame is increased from 1518 bytes to 1522 bytes.

If the EMAC_MACVLT register is configured to be double-synchronized to the (G)MII clock domain, then consecutive write operations to this register should be performed at least four clock cycles in the destination clock domain.

Bit	Register	Reset value	Type	Description
Bit 31: 17	Reserved	0x0000	resd	Kept at its default value.
Bit 16	ETV	0x0	ro	Enable 12-bit VLAN tag comparison When this bit is set, a 12-bit VLAN identifier, rather than a 16-bit VLAN tag, is used for comparison and filtering. The bit [11: 0] of the VLAN tag is compared with the corresponding field in the received VLAN-tagged frame. Similarly, if enabled, only a 12-bit VLAN tag is used for hash VLAN filtering. When this bit is cleared, the 16 bits of the received VLAN frame's 15 th and 16 th bytes are used for comparison and

				VLAN hash filtering.
				VLAN Tag Identifier (for receive frames) This field contains the 802.1Q VLAN tag to identify VLAN frames, which is compared with the 15 th and 16 th bytes of the received VLAN frames, described as follows: Bit [15: 13]: User priority Bit 12: Canonical format indicator (CFI) or drop eligible indicator (DEI) Bit [11: 0]: VLAN tag's VLAN identifier field
Bit 15: 0	VTI	0x0000	rw	When the ETV bit is set, only the VID ([11: 0]) is used for comparison. If the VL is all zeros (if the ETV is set, then VL[11: 0] is all zeros), the MAC does not check the 15 th and 16 th bytes for VLAN tag comparison, and treats all frames with a type field value of 0x8100 or 0x88a8 as VLAN frames.

26.3.9 Ethernet MAC remote wakeup frame filter register (EMAC_MACRWFF)

The PMT CSR sets the request wakeup events and detects the wakeup events.

Figure 26-18 Ethernet MAC remote wakeup frame filter register (EMAC_MACRWFF)

Wkuppkfilter_reg0	Filter 0 Byte Mask							
Wkuppkfilter_reg1	Filter 1 Byte Mask							
Wkuppkfilter_reg2	Filter 2 Byte Mask							
Wkuppkfilter_reg3	Filter 3 Byte Mask							
Wkuppkfilter_reg4	RESD	Filter 3 Cmd	RESD	Filter 2 Cmd	RESD	Filter 1 Cmd	RESD	Filter 0 Cmd
Wkuppkfilter_reg5	Filter 3 Offset		Filter 2 Offset		Filter 1 Offset		Filter 0 Offset	
Wkuppkfilter_reg6	Filter 1 CRC-16				Filter 0 CRC-16			
Wkuppkfilter_reg7	Filter 3 CRC-16				Filter 2 CRC-16			

26.3.10 Ethernet MAC PMT control and status register (EMAC_MACPMTCTRLSTS)

The Ethernet MAC PMT control and status register sets the request wakeup events and detects the wakeup events.

Bit	Register	Reset value	Type	Description
Bit 31	RWFFPR	0x0	rw1s	Remote Wakeup Frame Filter Register Pointer Reset When this bit is set, it resets the remote frame filter register pointer to 3'b000. This bit is automatically cleared after one clock cycle.
Bit 30: 10	Reserved	0x000000	resd	Kept at its default value.
Bit 9	GUC	0x0	rw	Global UniCast When this bit is set, it enables all unicast packets filtered by the MAC address filtering to be remote wakeup frames.
Bit 8: 7	Reserved	0x0	resd	Kept at its default value.
Bit 6	RRWF	0x0	rrc	Received Remote Wakeup Frame When this bit is set, it indicates that the power management event was generated because of the reception of a remote wakeup frame. This bit is cleared by

				a read access to this register.
Bit 5	RMP	0x0	rrc	<p>Received Magic Packet</p> <p>When this bit is set, it indicates that the power management event is generated because of the reception of a Magic packet. This bit is cleared by a read access to this register.</p>
Bit 4: 3	Reserved	0x0	resd	Kept at its default value.
Bit 2	ERWF	0x0	rw	<p>Enable Remote Wakeup Frame</p> <p>When this bit is set, it indicates that the power management event is generated due to a remote wakeup frame reception.</p>
Bit 1	EMP	0x0	rw	<p>Enable Magic Packet</p> <p>When this bit is set, it indicates that the power management event is generated due to a Magic packet reception.</p>
Bit 0	PD	0x0	rw1s	<p>Power Down</p> <p>When this bit is set, the MAC receiver will drop all received frames after receiving the expected Magic packet or a remote wakeup frame. Then this bit is automatically cleared and power-down mode is disabled. This bit can also be cleared by software before the expected Magic packet or a remote wakeup frame is received. After this bit is cleared, the MAC forwards the receive frames to the application. This bit must only be set when either the Magic Packet enable bit, global unicast bit or the remote wakeup frame enable bit is set high.</p>

26.3.11 Ethernet MAC interrupt status register (EMAC_MACISTS)

The Ethernet MAC interrupt status register identify the events in the MAC that can generate an interrupt.

Bit	Register	Reset value	Type	Description
Bit 15: 10	Reserved	0x00	resd	Kept at its default value.
Bit 9	TIS	0x0	rrc	<p>Timestamp Interrupt Status</p> <p>When this bit is set, it indicates that the system time value equals or exceeds the value programmed in the destination time registers. This bit is cleared after the completion of a read operation to this bit.</p>
Bit 8: 7	Reserved	0x0	resd	Kept at its default value.
Bit 6	MTIS	0x0	ro	<p>MMC Transmit Interrupt Status</p> <p>This bit is set when an interrupt event is generated in the EMAC_MMCTI register. This bit is cleared when all bits in the transmit interrupt register are cleared.</p>
Bit 5	MRIS	0x0	ro	<p>MMC Receive Interrupt Status</p> <p>This bit is set when an interrupt is generated in the EMAC_MMCR1 register. This bit is cleared when all bits in the receive interrupt register are cleared.</p>
Bit 4	MIS	0x0	ro	<p>MMC Interrupt Status</p> <p>This bit is set whenever any bit of the [7: 5] bit is set high. This bit is cleared only when these bits are set low.</p>
Bit 3	PIS	0x0	ro	<p>PMT Interrupt Status</p> <p>This bit is set when a Magic packet or a remote wakeup event is received in power-down mode (see bits 5 and 6 in the EMAC_MACPMTCTRLSTS register). This bit is cleared when both bits [6: 5] are cleared due to a read access to the EMAC_MACPMTCTRLSTS register.</p>
Bit 2: 0	Reserved	0x0	resd	Kept at its default value.

26.3.12 Ethernet MAC interrupt mask register (EMAC_MAIMR)

The Ethernet MAC interrupt mask register is used to mask the interrupt signal generated due to the corresponding event in the EMAC_MACISTS register

Bit	Register	Reset value	Type	Description
Bit 15: 10	Reserved	0x00	resd	Kept at its default value.
Bit 9	TIM	0x0	rw	Timestamp Interrupt Mask When this bit is set, it masks the interrupt signal generated in the time stamp interrupt status bit of the EMAC_MACISTS register. This bit is applicable only when the IEEE1588 time stamp is enabled. this bit is reserved in other modes.
Bit 8: 4	Reserved	0x00	resd	Kept at its default value.
Bit 3	PIM	0x0	rw	PMT Interrupt Mask. When this bit is set, it masks the interrupt signal generated in the MPT interrupt status bit of the EMAC_MACISTS register.
Bit 2: 0	Reserved	0x0	resd	Kept at its default value.

26.3.13 Ethernet MAC address 0 high register (EMAC_MACA0H)

The EMAC_MACA0H register contains the upper 6 bits of the first 6-byte MAC address of the station. The first DA byte received on the MII interface corresponds to the LS byte (bit [7: 0]) of the MAC address low register. For example, if the 0x112233445566 (0x11 in channel 0 of the first column) is received on the MII interface as the destination address, then the MacAddress0 register [47: 0] is compared with 0x665544332211.

If the MAC address register is configured to be double-synchronized with the MII domain, the synchronization can be enabled only by writing the bit [31: 24] (in little endian mode) or the bit [7: 0] (in big-endian mode) in the Ethernet MAC address 0 low register (EMAC_MACA0L). Consecutive write operations to this address low register must be performed after at least 4 cycles in the destination clock domain so as to achieve an accurate synchronous update.

Bit	Register	Reset value	Type	Description
Bit 31	AE	0x0	rrc	Address Always 1.
Bit 30: 16	Reserved	0x0010	resd	Kept at its default value.
Bit 15: 0	MA0H	0xFFFF	rw	MAC Address0 [47: 32] This field contains the upper 16 bits of the first 6-byte MCU address. This is used by the MAC for filtering received frames, and for inserting the MAC address in the transmit flow control frames (Pause).

26.3.14 Ethernet MAC address 0 low register (EMAC_MACA0L)

The Ethernet MAC address 0 low register contains the lower 32 bits of the 6-byte first MAC address.

Bit	Register	Reset value	Type	Description
Bit 31: 0	MA0L	0xFFFF FFFF	rw	MAC Address0 [31: 0] This field contains the lower 16 bits of the first 6-byte MCU address. This is used by the MAC for filtering received frames, and for inserting the MAC address in the transmit flow control frames (Pause).

26.3.15 Ethernet MAC address 1 high register (EMAC_MACA1H)

The Ethernet MAC address 1 high register holds the upper 16 bits of the 6-byte second MAC address. If the MAC address register is configured to be double-synchronized with the MII domain, the synchronization can be enabled only by writing the bit [31: 24] (in little endian mode) or the bit [7: 0] (in big-endian mode) in the Ethernet MAC address 1 low register (EMAC_MACA1L). Consecutive write operations to this address low register must be performed after at least 4 cycles in the destination clock domain so as to achieve an accurate synchronous update.

Bit	Register	Reset value	Type	Description
Bit 31	AE	0x0	rw	<p>Address Enable</p> <p>When this bit is set, the address filter uses the second MAC address for a perfect filtering.</p> <p>When this bit is cleared, the address filter will ignore the address for filtering.</p>
Bit 30	SA	0x0	rw	<p>Source Address</p> <p>When this bit is set, the MAC address 1 [47: 0] is used for comparison with the source address field of the received frame.</p> <p>When this bit is cleared, the MAC address 1 [47: 0] is used for comparison with the destination address field of the received frame.</p>
Bit 29: 24	MBC	0x00	rw	<p>Mask Byte Control</p> <p>These bits are mask control bits for comparison with each of the MAC address bytes.</p> <p>When this bit is set, the MAC does not compare the corresponding byte of the received D/SA with the contents of the MAC address 1 register. Each control bit is used for controlling the mask of the bytes as follows:</p> <p>Bit 29: EMAC_MACA1H [15: 8]</p> <p>Bit 28: EMAC_MACA1H [7: 0]</p> <p>Bit 27: EMAC_MACA1L[31: 24]</p> <p>...</p> <p>Bit 24: EMAC_MACA1L[7: 0]</p> <p>It is possible to filter group addresses (that is, group address filtering) by masking one or more bytes of the address.</p>
Bit 23: 16	Reserved	0x00	resd	Kept at its default value.
Bit 15: 0	MA1H	0xFFFF	rw	<p>MAC Address 1 [47: 32]</p> <p>These bits contain the upper 16 bits (47: 32) of the 6-byte second MAC address.</p>

26.3.16 Ethernet MAC address 1 low register (EMAC_MACA1H)

The Ethernet MAC address 1 low register contains the lower 32 bits of the 6-byte second MAC address.

Bit	Register	Reset value	Type	Description
Bit 31: 0	MA1L	0xFFFF FFFF	rw	<p>MAC Address 1 [31: 0]</p> <p>These bits contain the lower 32 bits of the 6-byte second MAC address. The contents of this field is undefined until loaded by the application after the initialization process.</p>

26.3.17 Ethernet MAC address 2 high register (EMAC_MACA2H)

The Ethernet MAC address 2 high register holds the upper 16 bits of the 6-byte second MAC address. If the MAC address register is configured to be double-synchronized with the MII domain, the synchronization can be enabled only by writing the bit [31: 24] (in little endian mode) or the bit [7: 0] (in big-endian mode) in the Ethernet MAC address 2 low register (EMAC_MACA2L). Consecutive write operations to this address low register must be performed after at least 4 cycles in the destination clock domain so as to achieve an accurate synchronous update.

Bit	Register	Reset value	Type	Description
Bit 31	AE	0x0	rw	<p>Address Enable</p> <p>When this bit is set, the address filter uses the second MAC address for a perfect filtering.</p> <p>When this bit is cleared, the address filter will ignore the address for filtering.</p>
Bit 30	SA	0x0	rw	<p>Source Address</p> <p>When this bit is set, the MAC address 2 [47: 0] is used for</p>

				comparison with the source address field of the received frame. When this bit is cleared, the MAC address 2 [47: 0] is used for comparison with the destination address field of the received frame.
				Mask Byte Control These bits are mask control bits for comparison with each of the MAC address bytes. When this bit is set, the MAC does not compare the corresponding byte of the received DA/SA with the contents of the MAC address 2 register. Each control bit is used for controlling the mask of the bytes as follows: Bit 29: EMAC_MACA2H [15: 8] Bit 28: EMAC_MACA2H [7: 0] Bit 27: EMAC_MACA2L[31: 24] ... Bit 24: EMAC_MACA2L[7: 0] It is possible to filter group addresses (that is, group address filtering) by masking one or more bytes of the address.
Bit 29: 24	MBC	0x00	rw	
Bit 23: 16	Reserved	0x00	resd	Kept at its default value.
Bit 15: 0	MA2H	0xFFFF	rw	MAC Address2 High [47: 32] These bits contain the upper 16 bits (47: 32) of the 6-byte second MAC address.

26.3.18 Ethernet MAC address 2 low register (EMAC_MACA2L)

The Ethernet MAC address 2 low register holds the lower 16 bits of the 6-byte second MAC address.

Bit	Register	Reset value	Type	Description
Bit 31: 0	MA2L	0xFFFF FFFF	rw	MAC Address2 Low [31: 0] These bits contain the lower 32 bits of the 6-byte second MAC address. The contents of this field is undefined until loaded by the application after the initialization process.

26.3.19 Ethernet MAC address 3 high register (EMAC_MACA3H)

The Ethernet MAC address 3 high register holds the upper 16 bits of the 6-byte second MAC address. If the MAC address register is configured to be double-synchronized with the MII domain, the synchronization can be enabled only by writing the bit [31: 24] (in little endian mode) or the bit [7: 0] (in big-endian mode) in the Ethernet MAC address 3 low register (EMAC_MACA3L). Consecutive write operations to this address low register must be performed after at least 4 cycles in the destination clock domain so as to achieve an accurate synchronous update.

Bit	Register	Reset value	Type	Description
Bit 31	AE	0x0	rw	Address Enable When this bit is set, the address filter uses the second MAC address for a perfect filtering. When this bit is cleared, the address filter will ignore the address for filtering.
Bit 30	SA	0x0	rw	Source Address When this bit is set, the MAC address 3 [47: 0] is used for comparison with the source address field of the received frame. When this bit is cleared, the MAC address 3 [47: 0] is used for comparison with the destination address field of the received frame.
Bit 29: 24	MBC	0x00	rw	Mask Byte Control These bits are mask control bits for comparison with each of the MAC address bytes.

				When this bit is set, the MAC does not compare the corresponding byte of the received DA/SA with the contents of the MAC address 3 register. Each control bit is used for controlling the mask of the bytes as follows: Bit 29: EMAC_MACA3H [15: 8] Bit 28: EMAC_MACA3H [7: 0] Bit 27: EMAC_MACA3L[31: 24] ... Bit 24: EMAC_MACA3L[7: 0] It is possible to filter group addresses (that is, group address filtering) by masking one or more bytes of the address.
Bit 23: 16	Reserved	0x00	resd	Kept at its default value.
Bit 15: 0	MA3H	0xFFFF	rw	MAC Address3 High [47: 32] These bits contain the lower 16 bits (47: 32) of the 6-byte second MAC address.

26.3.20 Ethernet MAC address 3 low register (EMAC_MACA3L)

The Ethernet MAC address 3 low register holds the lower 32 bits of the 6-byte second MAC address.

Bit	Register	Reset value	Type	Description
Bit 31: 0	MA3L	0xFFFF FFFF	rw	MAC Address3 Low [31: 0] These bits contain the lower 32 bits of the 6-byte second MAC address. The contents of this field is undefined until loaded by the application after the initialization process.

26.3.21 Ethernet DMA bus mode register (EMAC_DMABM)

The Ethernet DMA bus mode register defines the bus operation modes for the DMA.

Bit	Register	Reset value	Type	Description
Bit 31: 26	Reserved	0x00	resd	Kept at its default value.
Bit 25	AAB	0x0	rw	Address-Aligned Beats When this bit is set and the FB bit equals 1, the AHB interface generates burst transfers aligned to the start address LS bits. If the FB bit equals 0, the first burst transfer (accessing the data buffer's start address) is not aligned, but subsequent burst transfers are aligned to the address. This bit is applicable to GMAC-AHB and GMAC-AXI configurations only. It is reserved in other configurations.
Bit 24	PBLx8	0x0	rw	PBLx8 Mode When this bit is set, this bit multiplies the PBL value programmed (bits [22: 17] and bits [13: 8]) by 8. Thus the DMA transfers data at 8, 16, 32, 64, 128 and 256 beats depending on the PBL value.
Bit 23	USP	0x0	rw	Use separate PBL When this bit is set, the Rx DMA uses the value programmed in bit [22: 17] as PBL. The PBL value in bit [13: 8] is applicable to Tx DMA operations only. When this bit is cleared, the PBL value in bit [13: 8] is applicable to both Tx DMA and Rx DMA operations.
Bit 22: 17	RDP	0x01	rw	Rx DMA PBL This field indicates the maximum number of beats to be transferred in one Rx DMA operation. This is the maximum value that is used for a single write or read operation. The Rx DMA always attempts to perform burst transfer as specified in RPBL each time it starts a burst transfer on the host bus. The RPBL can be programmed with 1, 2, 4, 8, 16 and 32. Any other value result in unexpected behavior.

				These bits are applicable only when the USB bit is set.
				Fixed Burst
Bit 16	FB	0x0	rw	This bit controls whether the AHB master interface performs fixed burst transfers or not. When this bit is set, the AHB uses only SINGLE, INCR4, INCR8 or INCR16 during start of normal burst transfers. When this bit is cleared, the AHB or AXI interface uses SINGLE and INCR burst transfer operations.
				Priority Ratio
Bit 15: 14	PR	0x0	rw	These bits control the priority ratio of the round-robin arbitration between Rx DMA and Tx DMA. These bits are valid only when the bit 1 (destination address) is reset. The priority ratio is either Rx: Tx or Tx: Rx, depending on whether the bit 27 (TXPR) is set or reset. 00: 1: 1 01: 2: 1 10: 3: 1 11: 4: 1
				Programmable Burst Length
Bit 13: 8	PBL	0x01	rw	These bits indicate the maximum number of beats to be transferred in one DMA transaction. This is the maximum that is used for a single write or read operation. The DMA always attempts to perform burst transfer as specified in PBL each time it starts a burst transfer on the host bus. The RPBL can be programmed with 1, 2, 4, 8, 16 and 32. Any other value result in unexpected behavior. When the USP is set, the PBL value is applicable to Tx DMA operations only. If the number of beats to be transferred is greater than 32, the following steps are required: 1. Set PBLx8 mode 2. Set PBL For example, if the maximum value to be transferred is greater than 64, then the PBLx8 should be set first, and then the PBL is set to 8. The PBL values have the following limitations: The maximum number of beats possible is limited by the size of the Tx FIFO and Rx FIFO on the MTL layer, as well as the data bus width on the DMA. FIFO constraint: The maximum beat supported by the FIFO is half the depth of the FIFO, unless otherwise specified.
Bit 7	Reserved	0x0	res d	Kept at its default value.
				Descriptor Skip Length
Bit 6: 2	DSL	0x00	rw	These bits define the number of words to skip between two unchained descriptors. The address skip starts from the end of the current descriptor to the start of next descriptor. When the DSL value equals 0, the descriptor is regarded as contiguous by the DMA in ring mode.
				DMA Arbitration
Bit 1	DA	0x0	rw	These bits specify the arbitration scheme between the transmit path and receive path of channel 0. 0: Rx: Tx or Tx: Rx The priority between round-robin channels depends on the priority as specified in the bit [15: 14] (PR) and the priority weight as specified in bit 27 (TXPR). 1: Fixed priority When the bit 27 (TXPR) is set, Tx has priority over Rx.

				Otherwise, Rx has priority over Tx.
				Software Reset
Bit 0	SWR	0x1	rw	When this bit is set, the MAC DMA controller resets all internal registers and MAC logic. This bit is automatically cleared after all reset operations have been completed.

26.3.22 Ethernet DMA transmit poll demand register (EMAC_DMATPD)

The EMAC_DMATPD register enables the Tx DMA to check whether or not the current descriptor is owned by the DMA. The Transmit Poll Demand is used to wake up the Tx DMA from suspend mode. The Tx DMA can go into suspend mode due to an underflow error in a transmitted frame or due to the unavailability of descriptors owned by transmit DMA. The Poll demand can be issued at any time, and the Tx DMA will reset this command once it starts re-fetching the current descriptor from the host memory. This register is always read 0.

Bit	Register	Reset value	Type	Description
				Transmit Poll Demand
Bit 31:0	TPD	0x0000 0000	rrc	When these bits are written with any value, the DMA reads the current descriptor pointed to by the EMAC_DMACTD. If the descriptor is not available (owned by host), the transmission suspends, and the bit 2 (TU) is set in the status register. If the descriptor is available, the transmission resumes.

26.3.23 Ethernet DMA receive poll demand register (EMAC_DMARPD)

The EMAC_DMARPD register enables the Rx DMA to check new descriptors. The Receive Poll Demand is used to wake up the Rx DMA from suspend mode. The Rx DMA can enter suspend mode due to the unavailability of descriptors owned by it.

Bit	Register	Reset value	Type	Description
				Receive Poll Demand
Bit 31:0	RPD	0x0000 0000	rrc	When these bits are written with any value, the DMA reads the current descriptor pointed to by the EMAC_DMARPD. If the descriptor is not available (owned by host), the reception suspends, and the bit 7 (RU) is set in the status register. If the descriptor is available, the reception resumes.

26.3.24 Ethernet DMA receive descriptor list address register (EMAC_DMARDLADDR)

The EMAC_DMARDLADDR register points to the start of the receive descriptor list. The descriptor list is located in the host's physical memory and must be word-aligned. The DMA enables bus-width aligned address by making the corresponding LS bit low. Writing to the register is permitted only when the Rx DMA stops. After the Rx DMA stops, this register must be written before the receive start command is given.

Writing to the register is permitted only when the Rx DMA stops. In other words, the bit 1 (SR) is set 0 in the operation mode register. After the Rx DMA stops, this register can be written with a new descriptor list address.

When the SR bit is set, the DMA uses the newly programmed descriptor base address.

If the SR is cleared and this register remains unchanged, then the DMA will use the previous descriptor address when the Rx DMA stops.

Bit	Register	Reset value	Type	Description
				Start of Receive List
Bit 31:0	SRL	0x0000 0000	rw	These bits contain the base address of the first descriptor in the receive descriptor list. The LSB bits (1: 0, 2: 0 or 3: 0) for 32/64/128-bit bus width are ignored and taken as

zero by the DMA. Therefore these LSB bits are read only.

26.3.25 Ethernet DMA transmit descriptor list address register (EMAC_DMATDLADDR)

The EMAC_DMATDLADDR register points to the start of the transmit descriptor list. The descriptor list is located in the host's physical memory and must be word-aligned. The DMA enables bus-width aligned address by making the corresponding LS bit low.

Writing to the register is permitted only when the Tx DMA stops. In other words, the bit 13 (ST) is set 0 in the register 6 (operation mode register). After the Tx DMA stops, this register can be written with a new descriptor list address.

When the SR bit is set, the DMA uses the newly programmed descriptor base address.

If the SR is cleared and this register remains unchanged, then the DMA will use the previous descriptor address when the Tx DMA stops.

Bit	Register	Reset value	Type	Description
				Start of Transmit List
Bit 31: 0	STL	0x0000 0000	rw	These bits contain the base address of the first descriptor in the transmit descriptor list. The LSB bits (1: 0, 2: 0 or 3: 0) for 32/64/128-bit bus width are ignored and taken as zero by the DMA. Therefore these LSB bits are read only.

26.3.26 Ethernet DMA status register (EMAC_DMASTS)

The EMAC_DMASTS register contains all the status bits the DMA reports to the host. This register is read by the software driver during an interrupt service routine or polling. Most of the bits in this register can trigger the host to be interrupted. The bits in this register cannot be cleared when read. Writing 1'b1 to the bit [16: 0] (unreserved) in this register clears them. Writing 1'b0 has no effect. Each bit (bit [16: 0]) can be masked through the corresponding bit in the interrupt enable mask register.

Bit	Register	Reset value	Type	Description
Bit 31: 30	Reserved	0x0	resd	Kept at its default value.
				Timestamp Trigger Interrupt
Bit 29	TTI	0x0	ro	This bit indicates an interrupt event in the time stamp generator block. The software must read the corresponding register to get interrupt sources. This bit is applicable only when the IEEE1588 time stamp feature is enabled. Otherwise, this bit is reserved.
				MAC PMT Interrupt
Bit 28	MPI	0x0	ro	This bit indicates an interrupt even in the PMT. The software must read the Ethernet PMT control and status register (EMAC_MACPMTCTRLSTS) to get the interrupt sources and clear them in order to reset this bit to 1'b0. This bit is applicable only when the PMT function is enabled. Otherwise, this bit is reserved.
				MAC MMC Interrupt
Bit 27	MMI	0x0	ro	This bit indicates an interrupt event in the MMC. The software must read the corresponding register to get interrupt sources and clear them in order to reset this bit to 1'b0. This bit is applicable only when the MAC MMC is enabled. Otherwise, this bit is reserved.
Bit 26	Reserved	0x0	resd	Kept at its default value.
				Error Bits
Bit 25: 23	EB	0x0	ro	These bits indicate the type of error that caused a bus error. They are applicable only when the bit 13 (FBI) is set. This field does not generate an interrupt. 000: Error during data transfer by Rx DMA 011: Error during read transfer by Tx DMA

				<p>100: Error during Rx DMA descriptor write access 101: Error during Tx DMA descriptor write access 110: Error during Rx DMA descriptor read access 111: Error during Tx DMA descriptor read access Note: 001 and 010 are reserved.</p>
Bit 22: 20	TS	0x0	ro	<p>Transmit Process State This field indicates the Tx DMA FSM state. This field does not generate an interrupt. 3'b000: Stopped; Rest or Stop transmit command issued 3'b001: Running; Fetching transmit descriptor 3'b010: Running; Waiting for status 3'b011: Running; Reading data from host memory buffer and queuing it to Tx FIFO 3'b100: Time stamp write status 3'b101: Reserved for future use 3'b110: Suspended; Transmit descriptor unavailable or transmit buffer underflow 3'b111: Running; Closing transmit descriptor</p>
Bit 19: 17	RS	0x0	ro	<p>Receive Process State This field indicates the Rx DMA FSM state. This field does not generate an interrupt. 3'b000: Stopped; Rest or Stop transmit command issued 3'b001: Running; Fetching receive descriptor 3'b010: Reserved for future use 3'b011: Running; Waiting for receive packet 3'b100: Suspended; Receive descriptor unavailable 3'b101: Running; Closing receive descriptor 3'b110: Time stamp write status 3'b111: Running; Transferring the receive buffer data to host memory</p>
Bit 16	NIS	0x0	rw1c	<p>Normal Interrupt Summary The normal interrupt summary value is the logic OR of the following bits when the corresponding interrupt bits are enabled in the interrupt enable registers. EMAC_DMASTS[0]: Transmit interrupt EMAC_DMASTS[2]: Transmit buffer unavailable EMAC_DMASTS[6]: Receive interrupt EMAC_DMASTS[14]: Early receive interrupt Only unmasked bits affect the normal interrupt summary. This is a sticky bit and it must be cleared (by writing 1 to this bit) each time a corresponding bit (causes NIS to be set) is cleared.</p>
Bit 15	AIS	0x0	rw1c	<p>Abnormal Interrupt Summary The abnormal interrupt summary value is the logic OR of the following bits when the corresponding interrupt bits are enabled in the interrupt enable registers. EMAC_DMASTS[1]: Transmit process stopped EMAC_DMASTS[3]: Transmit Jabber timeout EMAC_DMASTS[4]: Receive FIFO overflow EMAC_DMASTS[5]: Transmit data underflow EMAC_DMASTS[7]: Receive buffer unavailable EMAC_DMASTS[8]: Receive process stopped EMAC_DMASTS[9]: Receive watchdog timeout EMAC_DMASTS[10]: Early transmit interrupt EMAC_DMASTS[13]: Fatal bus error Only unmasked bits affect the abnormal interrupt</p>

				summary. This is a sticky bit and it must be cleared (by writing 1 to this bit) each time a corresponding bit (causes AIS to be set) is cleared.
Bit 14	ERI	0x0	rw1c	Early Receive Interrupt This bit indicates that the DMA has filled the first data buffer of the packet. This bit is cleared when the software writes 1 to this bit or when the bit 6 (RI) bit is set in this register. (Whichever occurs first)
Bit 13	FBEI	0x0	rw1c	Fatal Bus Error Interrupt This bit indicates that a bus error occurred as defined in bit [25: 23]. When this bit is set, the corresponding DMA will disable all its bus accesses.
Bit 12: 11	Reserved	0x0	resd	Kept at its default value.
Bit 10	ETI	0x0	rw1c	Early Transmit Interrupt This bit indicates that the frame to be transmitted was fully sent to the MTL Tx FIFO.
Bit 9	RWT	0x0	rw1c	Receive Watchdog Timeout When this bit is set, it indicates that the receive watchdog timer timeout occurs while receiving the current frame, and the current frame is cut off after the watchdog timeout happens.
Bit 8	RPS	0x0	rw1c	Receive Process Stopped This bit is set when the receive process enters the stop state.
Bit 7	RBU	0x0	rw1c	Receive Buffer Unavailable This bit indicates that the next descriptor in the receive list is owned by the host and cannot be acquired by the DMA. Thus the receive process is suspended. The host should change the ownership of the descriptor and release the receive poll demand command in order to resume receive process. If no receive poll demand command is issued, the receive process resumes when the DMA receives the next incoming frame. This bit is set only when the previous receive descriptor is owned by the DMA.
Bit 6	RI	0x0	rw1c	Receive Interrupt This bit indicates the completion of a frame reception. After the completion of a frame reception, the bit 31 of the RDES1 (interrupt disabled after reset operation) is reset in the last descriptor. Specific frame status information will be posted in the descriptor. Receive process remains in the running state.
Bit 5	UNF	0x0	rw1c	Transmit Underflow This bit indicates that the transmit buffer has an underflow during a frame transmission. Transmit process is suspended and the underflow error bit TDES0[1] is set.
Bit 4	OVF	0x0	rw1c	Receive Overflow This bit indicates that the receive buffer has an overflow during a frame reception. If the partial frame has been transferred to the application, the overflow status is set in the RDES0[11].
Bit 3	TJT	0x0	rw1c	Transmit Jabber Timeout This bit indicates that the transmit Jabber timer will expire when the current frame is greater than 2047 bytes (it is 10240 bytes if Jumbo frame is enabled). After the Jabber is expired, the transmit process is aborted and enters stop state, which causes the transmit Jabber timeout flag bit TDES0[14] to be set.
Bit 2	TBU	0x0	rw1c	Transmit Buffer Unavailable

				This bit indicates that the next descriptor in the transmit list is owned by the host and cannot be acquired by the DMA. Then the transmit process is suspended. Bit [22: 20] explains the transmit process state. To resume transmit process, the host should change the ownership of the descriptor by setting the TDES0[31] and issue the transmit poll demand command
Bit 1	TPS	0x0	rw1c	Transmit Process Stopped This bit is set when the transmit process stops.
Bit 0	TI	0x0	rw1c	Transmit Interrupt This bit indicates the completion of a frame transmission. The bit 31 (OWN) is reset in the TDES0. Specific frame status information will be posted in the descriptor.

26.3.27 Ethernet DMA operation mode register (EMAC_DMAOPM)

The EMAC_DMAOPM register defines the receive and transmit operation modes and commands. This register should be the last CSR to be written during DMA initialization. This register is also applicable to GMAC-MTL configuration where the unused and reserved bits are 24, 13, 2 and 1. A delay value greater than 4us is required between two consecutive write accesses to this register.

Bit	Register	Reset value	Type	Description
Bit 31: 27	Reserved	0x00	resd	Kept at its default value.
Bit 26	DT	0x0	rw	Disable Dropping of TCP/IP Checksum Error Frames When this bit is set, the MAC does not drop the frames that only have errors detected by the receive checksum offload engine. Such frames have errors in the encapsulated payload only but do not have errors (including FCS error) in the Ethernet frames received by the MAC. When this bit is cleared, all error frames are dropped if the FEF bit is reset.
Bit 25	RSF	0x0	rw	Receive Store and Forward When this bit is set, the MTL reads the Rx FIFO only after a full frame is written to the Rx FIFO, ignoring the RTC bit. When this bit is cleared, the Rx FIFO operates in cut-through mode and will be subject to the threshold defined by the RTC.
Bit 24	DFRF	0x0	rw	Disable Flushing of Received Frames When this bit is set, the Rx DMA does not flush any receive frame due to the unavailability of receive descriptors or receive buffers. When this bit is cleared, the DMA will flush receive frames in case of the above-mentioned circumstances.
Bit 23: 22	Reserved	0x000	resd	Kept at its default value.
Bit 21	TSF	0x0	rw	Transmit Store and Forward When this bit is set, transmission starts when a full frame resides in the Tx FIFO, and the TTC values specified in the bit [16: 14] are ignored. This bit can be changed only when the transmit process stops.
Bit 20	FTF	0x0	rw	Flush Transmit FIFO When this bit is set, the Tx FIFO controller logic is reset to its default value and thus all data in the Tx FIFO are either lost or flushed. This bit is cleared after the completion of the flushing operation. The operation mode register should not be written before this bit is cleared. The data that has been received by the MAC transmitter is not flushed and is going to be transferred, causing data underflow and runt frame transfer (If you want to change this bit through consecutive commands, a delay value greater than 4us is required between two consecutive operations.)
Bit 19: 17	Reserved	0x0	resd	Kept at its default value.

				<p>Transmit Threshold Control</p> <p>These bits control the threshold of the Tx FIFO. Transmission starts when the frame size in the Tx FIFO is greater than the threshold. In addition, full frames with a length less than the threshold are also transmitted. These bits are applicable only when the bit 21 (TSF) is reset.</p> <p>000: 64 001: 128 010: 192 011: 256 100: 40 101: 32 110: 24 111: 16</p>
Bit 16: 14	TTC	0x0	rw	
				<p>Start or Stop Transmission Command</p> <p>When this bit is set, transmission is in the running state, and the DMA checks the transmit list at the current location and determines the frame to be transmitted. The DMA acquires the descriptor either from the current position in the list (the transmit list base address set by the transmit descriptor list address register) or from the position where the transmit process was stopped previously. If the current descriptor is owned by the DMA, the transmit process enters suspend state, and the bit 2 (transmit buffer unavailable) is set in the status register. Transmission command is valid only when the transmission is stopped. If the transmit command were issued before setting the transmit descriptor list address register, the DMA will show unpredictable behavior.</p> <p>When this bit is cleared, transmit process enters stop state after the completion of a frame transmission. The next descriptor position in the transmit list is saved, and becomes the current position when transmission gets started. To change the list address, write a new value to the transmit descriptor list address register when this bit is reset. The newly written value becomes effective only when this bit is set again. The Stop Transmission Command is effective only when the current frame transmission is complete or transmit process enters suspend state.</p>
Bit 13	SSTC	0x0	rw	
Bit 12: 8	Reserved	0x00	resd	Kept at its default value.
				<p>Forward Error Frames</p> <p>1: All frames except runt error frames are forwarded to the DMA 0: Rx FIFO drops error frames (CRC error, collision error, giant frame, watchdog timeout and overflow). However, if the frame's start byte point has already been transferred to the application in Threshold mode, then the frames are not dropped. The Rx FIFO drops the error frames whose start bytes have not been transferred to the AHB bus.</p>
Bit 7	FEF	0x0	rw	
				<p>Forward Undersized Good Frames</p> <p>When this bit is set, the Rx FIFO forwards undersized good frames including pad bytes and CRC (with no error and length less than 64 bytes) When this bit is cleared, the Rx FIFO drops all frames with a length less than 64 bytes, unless such a frame has already been transferred to the application due to a lower value than the receive threshold (e.g. RTC=01).</p>
Bit 6	FUGF	0x0	rw	
Bit 5	Reserved	0x0	resd	Kept at its default value.
Bit 4: 3	RTC	0x0	rw	Receive Threshold Control

				<p>These two bits control the threshold of the Rx FIFO. Transfer to DMA starts when the frame in the Rx FIFO is larger than the threshold. In addition, full frames with a length less than the threshold are also automatically transferred.</p> <p>Value 11 is not applicable if the Rx FIFO size is configured to be 128 bytes.</p> <p>These bits are applicable only when the RSF bit equals 0. These bits are ignored when the RSF bit is set.</p> <p>00: 64 01: 32 10: 96 11: 128</p>
Bit 2	OSF	0x0	rw	<p>Operate on Second Frame</p> <p>When this bit is set, it instructs the DMA to process a second frame of transmit data even before the status of the first frame is obtained.</p>
Bit 1	SSR	0x0	rw	<p>Start or Stop Receive</p> <p>When this bit is set, the receive process is in the running state, and the DMA attempts to acquire the descriptor from the receive list and processes incoming frames. The DMA acquires the descriptor either from the current position in the list (the receive list base address set by the receive descriptor list address register) or from the position where the receive process was stopped previously. If the current descriptor is owned by the DMA, the receive process enters suspend state, and the bit 7 (receive buffer unavailable) is set in the status register. Reception command is valid only when the reception is stopped. If the reception command were issued before setting the receive descriptor list address register, the DMA will show unpredictable behavior.</p> <p>When this bit is cleared, RxDMA operation is stopped after the completion of a frame reception. The next descriptor position in the receive list is saved, and becomes the current position when reception process is restarted. The Stop Receive Command is effective only when the receive process enters in the running state (waiting for receive packet) or the suspend state.</p>
Bit 0	Reserved	0x0	resd	Kept at its default value.

26.3.28 Ethernet DMA interrupt enable register (EMAC_DMAIE)

The EMAC_DMAIE register enables the interrupts reported by the status register. Setting a bit to 1'b1 enables a corresponding interrupt. All interrupts are disabled after a software or hardware reset.

Bit	Register	Reset value	Type	Description
Bit 31: 17	Reserved	0x0000	resd	Kept at its default value.
Bit 16	NIE	0x0	rw	<p>Normal Interrupt enable</p> <p>When this bit is set, a normal interrupt summary is enabled. When this bit is cleared, a normal interrupt summary is disabled. This bit enables the following bits (in the status register)</p> <p>EMAC_DMASTS[0]: Transmit interrupt EMAC_DMASTS[2]: Transmit buffer unavailable EMAC_DMASTS[6]: Receive interrupt EMAC_DMASTS[14]: Early receive interrupt</p>
Bit 15	AIE	0x0	rw	<p>Abnormal interrupt enable</p> <p>When this bit is set, an abnormal interrupt summary is enabled. When this bit is cleared, an abnormal interrupt summary is disabled. This bit enables the following bits (in</p>

				the status register) EMAC_DMASTS[1]: Transmit process stopped EMAC_DMASTS[3]: Transmit Jabber timeout EMAC_DMASTS[4]: Transmit overflow EMAC_DMASTS[5]: Transmit data underflow EMAC_DMASTS[7]: Transmit buffer unavailable EMAC_DMASTS[8]: Receive process stopped EMAC_DMASTS[9]: Receive watchdog timeout EMAC_DMASTS[10]: Early transmit interrupt EMAC_DMASTS[13]: Fatal bus error
Bit 14	ERE	0x0	rw	Early Receive interrupt Enable When this bit is set with the normal interrupt summary enable bit, the early receive interrupt is enabled. When this bit is cleared, the early receive interrupt is disabled.
Bit 13	FBEE	0x0	rw	Fatal Bus Error Enable When this bit is set with the abnormal interrupt summary enable bit, the fatal bus error interrupt is enabled. When this bit is cleared, the fatal bus error enable interrupt is disabled.
Bit 12: 11	Reserved	0x0	resd	Kept at its default value.
Bit 10	EIE	0x0	rw	Early transmit Interrupt Enable When this bit is set with the abnormal interrupt summary enable bit, the early transmit interrupt is enabled. When this bit is cleared, the early transmit interrupt is disabled.
Bit 9	RWTE	0x0	rw	Receive Watchdog Timeout Enable When this bit is set with the abnormal interrupt summary enable bit, the receive watchdog timeout interrupt is enabled. When this bit is cleared, the receive watchdog timeout interrupt is disabled.
Bit 8	RSE	0x0	rw	Receive Stopped Enable When this bit is set with the abnormal interrupt summary enable bit, the receive stopped interrupt is enabled. When this bit is cleared, the receive stopped interrupt is disabled.
Bit 7	RBUE	0x0	rw	Receive Buffer Unavailable Enable When this bit is set with the abnormal interrupt summary enable bit, the receive buffer unavailable interrupt is enabled. When this bit is cleared, the receive buffer unavailable interrupt is disabled.
Bit 6	RIE	0x0	rw	Receive Interrupt Enable When this bit is set with the normal interrupt summary enable bit, the receive interrupt is enabled. When this bit is cleared, the receive interrupt is disabled.
Bit 5	UNE	0x0	rw	Underflow Interrupt Enable When this bit is set with the abnormal interrupt summary enable bit, the underflow interrupt is enabled. When this bit is cleared, the underflow interrupt is disabled.
Bit 4	OVE	0x0	rw	Overflow Interrupt Enable When this bit is set with the abnormal interrupt summary enable bit, the overflow interrupt is enabled. When this bit is cleared, the overflow interrupt is disabled.
Bit 3	TJE	0x0	rw	Transmit Jabber Timeout Enable When this bit is set with the abnormal interrupt summary enable bit, the transmit Jabber timeout interrupt is enabled. When this bit is cleared, the transmit Jabber timeout interrupt is disabled.
Bit 2	TUE	0x0	rw	Transmit Buffer Unavailable Enable When this bit is set with the normal interrupt summary enable bit, the transmit buffer unavailable interrupt is

				enabled. When this bit is cleared, the transmit buffer unavailable interrupt is disabled.
Bit 1	TSE	0x0	rw	<p>Transmit Stopped Enable</p> <p>When this bit is set with the abnormal interrupt summary enable bit, the transmit stopped interrupt is enabled. When this bit is cleared, the transmit stopped interrupt is disabled.</p>
Bit 0	TIE	0x0	rw	<p>Transmit Interrupt Enable</p> <p>When this bit is set with the normal interrupt summary enable bit, the transmit interrupt is enabled. When this bit is cleared, the transmit interrupt is disabled.</p>

The Ethernet interrupt is generated only when the TST or PMT bit is set in the DMA status register with other interrupts unmasked, or when the NIS/AIS is enabled with other interrupts enabled.

26.3.29 Ethernet DMA missed frame and buffer overflow counter register (EMAC_DMAMFBOCNT)

The DMA contains two counters to track the number of missed frames during reception. This register reports the current value of the counter. The counter is used for the purpose of diagnosis. The bit [15: 0] indicates the number of missed frames due to the host buffer being unavailable. The bit [27: 17] indicate the number of missed frames due to buffer overflow (MTL and MAC) and runt frames dropped by the MTL.

Bit	Register	Reset value	Type	Description
Bit 31: 29	Reserved	0x0	resd	Kept at its default value.
				Overflow Bit for FIFO Overflow Counter
Bit 28	OBFOC	0x0	rrc	This bit is set whenever an overflow occurs on the overflow frame counter ([27: 17]), that is, the Rx FIFO overflows, and the overflow frame counter reaches its maximum value. In this case, the overflow frame counter is reset to all zeros, and this bit indicates that a toggle has occurred.
				Overflow Frame Counter
Bit 27: 17	OFC	0x000	rrc	These bits indicate the number of frames missed by the application.
				Overflow Bit for Missed Frame Counter
Bit 16	OBFMC	0x0	rrc	This bit is set whenever an overflow occurs on the missed frame counter ([15: 0]), that is, the DMA ignores incoming frames due to the host receive buffer being unavailable, and the missed frame counter reaches its maximum value. In this case, the missed frame counter is reset to all zeros, and this bit indicates that a toggle has occurred.
				Missed Frame Counter
Bit 15: 0	MFC	0x0000	rrc	This field indicates the number of frames missed by the controller due to the host receive buffer being unavailable. This counter is incremented each time the DMA discards an incoming frame. This bit is cleared when the mci_be_i[0] bit is set to 1'b1.

26.3.30 Ethernet DMA current transmit descriptor register (EMAC_DMACTD)

The EMAC_DMACTD register points to the start address of the transmit descriptor being read by the DMA.

Bit	Register	Reset value	Type	Description
Bit 31: 0	HTDAP	0x0000 0000	ro	<p>Host Transmit Descriptor Address Pointer</p> <p>These bits are cleared when reset. The DMA updates the pointer during operation.</p>

26.3.31 Ethernet DMA current receive descriptor register (EMAC_DMACRD)

The EMAC_DMACRD register points to the start address of the receive descriptor being read by the DMA.

Bit	Register	Reset value	Type	Description
Bit 31:0	HRDAP	0x0000 0000	ro	Host Receive Descriptor Address Pointer These bits are cleared when reset. The DMA updates the pointer during operation.

26.3.32 Ethernet DMA current transmit buffer address register (EMAC_DMACTBADDR)

The EMAC_DMACTBADDR register points to the transmit buffer address being read by the DMA.

Bit	Register	Reset value	Type	Description
Bit 31:0	HTBAP	0x0000 0000	ro	Host Transmit Buffer Address Pointer These bits are cleared when reset. The DMA updates the pointer during operation.

26.3.33 Ethernet DMA current receive buffer address register (EMAC_DMACRBADDR)

The EMAC_DMACRBADDR register points to the receive buffer address being read by the DMA.

Bit	Register	Reset value	Type	Description
Bit 31:0	HRBAP	0x0000 0000	ro	Host Receive Buffer Address Pointer These bits are cleared when reset. The DMA updates the pointer during operation.

26.3.34 Ethernet MMC control register (EMAC_MMCCTRL)

The EMAC_MMCCTRL register defines the operating mode of the management counters.

Bit	Register	Reset value	Type	Description
Bit 31:4	Reserved	0x00000000	resd	Kept at its default value.
Bit 3	FMC	0x0	rw	Freeze MMC Counter When this bit is set, it freezes all the MMC counters to their current value. None of the MMC counters are updated due to any transmitted or received frame until this bit is set to 0. If the Reset on Read bit is set while the MMC counter is being read, the counter is also cleared.
Bit 2	RR	0x0	rw	Reset on Read When this bit is set, the MMC counter is reset to 0 after being read. The counter is cleared when the least significant byte bit [7:0] is read.
Bit 1	SCR	0x0	rw	Stop Counter Rollover When this bit is set, the counter does not roll over to 0 after it reaches the maximum value.
Bit 0	RC	0x0	rw	Reset Counter When this bit is set, all counters are reset. This bit is cleared automatically after 1 clock cycle.

26.3.35 Ethernet MMC receive interrupt register (EMAC_MMCR I)

The EMAC_MMCR I register contains the interrupts generated in the following conditions:

- Receive statistic counters reaches half their maximum values (32-bit counter corresponds to 0x8000_0000, and 16-bit counter corresponds to 0x8000)
- Receive statistic counters exceed their maximum values (32-bit counter corresponds to 0xFFFF_FFFF, and 16-bit counter corresponds to 0xFFFF)

When the counter stops rolling, an interrupt is set but the counter is still all 1. The EMAC_MMCR1 is a 32-bit register. An interrupt bit is cleared when the the MMC counter that generates the interrupt is read. The least significant byte bit [7: 0] of the corresponding counter must be read in order to clear the interrupt bit.

Bit	Register	Reset value	Type	Description
Bit 31: 18	Reserved	0x0000	resd	Kept at its default value.
				Received Good Unicast Frames
Bit 17	RGUF	0x0	rrc	This bit is set when the received good unicast frame counter reaches the maximum value or half the maximum value.
Bit 16: 7	Reserved	0x000	resd	Kept at its default value.
				Received Frames Alignment Error
Bit 6	RFAE	0x0	rrc	This bit is set when the received frame counter with alignment error reaches the maximum value or half the maximum value.
				Received Frames CRC Error
Bit 5	RFCE	0x0	rrc	This bit is set when the receive frame with CRC error reaches the maximum value or half the maximum value.
Bit 4: 0	Reserved	0x00	resd	Kept at its default value.

26.3.36 Ethernet MMC transmit interrupt register (EMAC_MMCTI)

The EMAC_MMCTI register contains the interrupts generated in the following conditions: when the transmit statistic counters reach half their maximum values (32-bit counter corresponds to 0x8000_0000, and 16-bit counter corresponds to 0x8000), and when the transmit statistic counters exceed their maximum values (32-bit counter corresponds to 0xFFFF_FFFF, and 16-bit counter corresponds to 0xFFFF). When the counter stops rolling, an interrupt is set but the counter is still all 1. The EMAC_MMCTI is a 32-bit register. An interrupt bit is cleared when the the MMC counter that generates the interrupt is read. The least significant byte bit [7: 0] of the corresponding counter must be read in order to clear the interrupt bit.

Bit	Register	Reset value	Type	Description
Bit 31: 22	Reserved	0x000	resd	Kept at its default value.
				Transmitted Good Frames
Bit 21	TGF	0x0	rrc	This bit is set when the transmitted good frame counter reaches its maximum value or half its maximum value.
Bit 20: 16	Reserved	0x00	resd	Kept at its default value.
				Transmitted Good Frames More Single Collision
Bit 15	TGFMSC	0x0	rrc	This bit is set when the transmitted good frame after more than a single collision counter reaches its maximum value or half its maximum value.
				Transmitted Single Collision Good Frame Counter Interrupt
Bit 14	TSCGFCI	0x0	rrc	This bit is set when the transmitted good frame after a single collision counter reaches its maximum value or half its maximum value.
Bit 13: 0	Reserved	0x0000	resd	Kept at its default value.

26.3.37 Ethernet MMC receive interrupt register (EMAC_MMCRIM)

The EMAC_MMCRIM contains the masks for interrupts generate when the receive statistic counters reach half their maximum values or their maximum values. This register is a 32-bit register.

Bit	Register	Reset value	Type	Description
Bit 31: 18	Reserved	0x0000	resd	Kept at its default value.
				Received Unicast Good Frame Counter Interrupt Mask
Bit 17	RUGFCIM	0x0	rw	Setting this bit masks the interrupt when the received good unicast frame counter reaches half its maximum value or its maximum value.

Bit 16: 7	Reserved	0x000	resd	Kept at its default value.
Bit 6	RAEFACIM	0x0	rw	Received Alignment Error Frame Alignment Counter Interrupt Mask Setting this bit masks the interrupt when the received alignment error frame counter reaches half its maximum value or its maximum value.
Bit 5	RCEFCIM	0x0	rw	Received CRC Error Frame Counter Interrupt Mask Setting this bit masks the interrupt when the received CRC error frame counter reaches half its maximum value or its maximum value.
Bit 4: 0	Reserved	0x00	resd	Kept at its default value.

26.3.38 Ethernet MMC transmit interrupt register (EMAC_MMCTIM)

The EMAC_MMCTIM contains the masks for interrupts generate when the transmit statistic counters reach half their maximum values or their maximum values. This register is a 32-bit register.

Bit	Register	Reset value	Type	Description
Bit 31: 22	Reserved	0x000	resd	Kept at its default value.
Bit 21	TGFCIM	0x0	rw	Transmitted Good Frame Counter Interrupt Mask Setting this bit masks the interrupt when the transmitted good frame counter reaches half its maximum value or its maximum value.
Bit 20: 16	Reserved	0x00	resd	Kept at its default value.
Bit 15	TMGFCIM	0x0	rw	Transmitted Multiple Collision Good Frame Counter Interrupt Mask Setting this bit masks the interrupt when the transmitted good frame after more than a single collision counter reaches half its maximum value or its maximum value.
Bit 14	TSCGFCIM	0x0	rw	Transmitted Single Collision Good Frame Counter Interrupt Mask Setting this bit masks the interrupt when the transmitted good frame after a single collision counter reaches half its maximum value or its maximum value.
Bit 13: 0	Reserved	0x0000	resd	Kept at its default value.

26.3.39 Ethernet MMC transmitted good frame single collision counter register (EMAC_MMCTFSCC)

This register maintains the number of successfully transmitted frames after a single collision in half-duplex mode.

Bit	Register	Reset value	Type	Description
Bit 31: 0	TGFSCC	0x0000 0000	ro	Transmitted Good Frames Single Collision Counter) This field maintains the transmitted good frames after a single collision counter.

26.3.40 Ethernet MMC transmitted good frame more than a single collision counter register (EMAC_MMCTFMSCC)

This register maintains the number of successfully transmitted frames after more than a single collision in half-duplex mode.

Bit	Register	Reset value	Type	Description
Bit 31: 0	TGFMSCC	0x0000 0000	ro	Transmitted Good Frame More Than a Single Collision Counter This field maintains the transmitted good frames after more than a single collision counter.

26.3.41 Ethernet MMC transmitted good frames counter register (EMAC_MMCTFCNT)

This register maintains the number of the transmitted good frames.

Bit	Register	Reset value	Type	Description
Bit 31:0	TGFC	0x0000 0000	ro	Transmitted Good Frames Counter

26.3.42 Ethernet MMC received frames with CRC error counter register (EMAC_MMCRFCECR)

This register maintains the number of the received good frames with CRC error.

Bit	Register	Reset value	Type	Description
Bit 31:0	RFCEC	0x0000 0000	ro	Received Frames CRC Error Counter Received frames with CRC error.

26.3.43 Ethernet MMC received frames with alignment error counter register (EMAC_MMCRFAECNT)

This register maintains the number of the received frames with alignment error.

Bit	Register	Reset value	Type	Description
Bit 31:0	RFAEC	0x0000 0000	ro	Received Frames Alignment Error Counter Received frames with alignment error.

26.3.44 Ethernet MMC received good unicast frames counter register (EMAC_MMCRGUFCNT)

This register maintains the number of the received good unicast frames.

Bit	Register	Reset value	Type	Description
Bit 31:0	RGUFC	0x0000 0000	ro	Received Good Unicast Frames Counter

26.3.45 Ethernet PTP time stamp control register (EMAC_PTPTSCTRL)

This register controls the generation of system time in the receiver and the generation of time stamp in a PTP packet.

Bit	Register	Reset value	Type	Description
Bit 31:19	Reserved	0x0000	resd	Kept at its default value.
Bit 18	EMAFPPF	0x0	rw	Enable MAC Address For PTP Frame Filtering When this bit is set, the MAC address (matches any of the MAC address registers) is used for PTP frame filtering while the PTP is directly sent by the Ethernet.
Bit 17:16	SPPFTS	0x0	rw	Select PTP Packets For Taking Snapshot 00: Normal clock 01: Boundary clock 10: End-to-End Transparent Clock 11: Point-to-Point Transparent Clock
Bit 15	ESFMRTM	0x0	rw	Enable Snapshot For Message Relevant To Master When this bit is set, it enables snapshots for messages relevant to master. Otherwise, it enables snapshots for messages relevant to slave.
Bit 14	ETSFEM	0x0	rw	Enable Timestamp Snapshot For Event Messages When this bit is set, it enables time stamp snapshots for event messages only (SYNC, Delay_Req, Pdelay_Req, or Pdelay_Resp). When this bit is cleared, time stamp snapshots are applicable to all the messages except Announce, Management and Signaling.
Bit 13	EPPFSIP4U	0x1	rw	Enable Processing of PTP Frames Sent over IPv4-UDP

				When this bit is set, the MAC receiver processes the PTP encapsulated in UDP over IPv4 packet. When this bit is cleared, the MAC ignores the PTP transferred over UDP-IPv4 packet. This bit is set by default.
Bit 12	EPPFSIP6U	0x0	rw	Enable Processing of PTP Frames Sent over IPv6-UDP When this bit is set, the MAC receiver processes the PTP encapsulated in UDP over IPv6 packet. When this bit is cleared, the MAC ignores the PTP sent over UDP-IPv6 packet.
Bit 11	EPPEF	0x0	rw	Enable Processing of PTP over EMAC Frames When this bit is set, the MAC receiver processes the PTP that is directly encapsulated in the Ethernet frames. When this bit is cleared, the MAC ignores the PTP over EMAC frames.
Bit 10	EPPV2F	0x0	rw	Enable PTP packet Processing for Version 2 Format When this bit is set, it enables PTP packet processing in the format of 1588 V2. Otherwise, 1588 V1 format is used for PTP packet processing. Refer to <i>PTP process and control</i> on page 155 for more details on IEEE 1588 V1 and V2.
Bit 9	TDBRC	0x0	rw	Timestamp Digital or Binary Rollover Control When this bit is set, time stamp low register starts rolling after the 0x3B9A_C9FF value (1 ns precision), and the time stamp (high) second is incremented. When this bit is cleared, the rollover value of the subsecond register is 0x7FFF_FFFF. The subsecond increment must be configured according to PTP reference clock frequency and the value of this bit.
Bit 8	ETAF	0x0	rw	Enable Timestamp for All Frames When this bit is set, it enables time stamp snapshot for all received frames on the MAC.
Bit 7: 6	Reserved	0x0	resd	Kept at its default value.
Bit 5	ARU	0x0	rw	Addend Register Update When this bit is set, the Ethernet PTP time stamp addend register's contents are updated on the PTP block for fine correction. This bit is cleared when the update is completed. This register bit must be read as 0 before being set.
Bit 4	TITE	0x0	rw	Timestamp Interrupt Trigger Enable When this bit is set, a time stamp interrupt is enabled if the system time becomes greater than the value written in the target time register. This bit is cleared when the time stamp trigger interrupt is generated.
Bit 3	TU	0x0	rw	Timestamp Update When this bit is set, the system time is updated (added or subtracted from) with the value programmed in the system time second update register and system time nanosecond update register. This bit must be read as 0 before being updated. This bit is cleared after the hardware update is completed. Time stamp high word register (if enabled) is not updated.
Bit 2	TI	0x0	rw	Timestamp Initialize When this bit is set, the system time is initialized (overwritten) with the value specified in the system time second update register and system time nanosecond update register. This bit must be read as 0 before being updated. This bit is cleared after the initialization. Time stamp high word register (if enabled) is not updated.
Bit 1	TFCU	0x0	rw	Timestamp Fine or Coarse Update

				When this bit is set, it indicates that the system time is updated using a fine update method. When this bit is cleared, it indicates that the system time is updated using a coarse update method.
				Timestamp Enable
Bit 0	TE	0x0	rw	When this bit is set, time stamp function is enabled for transmit and receive frames. Once disabled, the time stamp function is not added for transmit and receive frames, and the time stamp generator is suspended as well. Once enabled, the time stamp (system time) should be initialized. On the receive side, the MAC processes 1588 frames only when this bit is set.

Correlation between time stamp snapshot and register bits

SPPFTS Bit 17: 16	ESFMRTM Bit 15	ETSFEM Bit 14	PTP message
00 or 01	X	0	SYNC, Follow_Up, Delay_Req, Delay_Resp
00 or 01	1	1	Delay_Req
00 or 01	0	1	SYNC
10	N/A	0	SYNC, Follow_Up, Delay_Req, Delay_Resp
10	N/A	1	SYNC, Follow_Up
11	N/A	0	SYNC, Follow_Up, Delay_Req, Delay_Resp, Pdelay_Req, Pdelay_Resp
11	N/A	1	SYNC, Pdelay_Req, Pdelay_Resp

1 : N/A= Not applicable

2 : X=Irrelevant

26.3.46 Ethernet PTP subsecond increment register (EMAC_PTPSSINC)

This register is present only when the IEEE1588 time stamp function is selected without an external time stamp input. In Coarse Update mode (TSCFUPDT bit), the value in this register is added to the system time every `clk_ptp_ref_i` clock cycle. In Fine Update mode, the value in this register is added to the system time whenever the accumulator has an overflow.

Bit	Register	Reset value	Type	Description
Bit 31: 8	Reserved	0x000000	resd	Kept at its default value. Sub-Second Increment Value
Bit 7: 0	SSIV	0x00	rw	The value programmed in this field is incremented with the value of the subsecond register at every clock cycle (of <code>clk_ptp_i</code>). For example, if the PTP clock is 50 MHz (20 ns), when the system time nanosecond register is 1 ns accuracy (by setting the bit 9 in the EMAC_PTPTSCTRL register), the value of these bits should be configured to 20 (0x14). When the TCTRLSSR is cleared, nano second register resolution is ~0.465ns accuracy. In this case, the value of these bits should be configured to 43 (0x2B), that is, 20ns/0.465.

26.3.47 Ethernet PTP time stamp high register (EMAC_PTPTSH)

System time second register and system time nanosecond register indicate the current value of the system time maintained by the MAC. This value is updated on a continuous basis.

Bit	Register	Reset value	Type	Description
Bit 31: 0	TS	0x0000 0000	ro	Timestamp Second This field indicates the second value of the current system time maintained by the MAC.

26.3.48 Ethernet PTP time stamp low register (EMAC_PTPTSL)

This register contains the lower 32 time bits. It is a read-only register containing the subsecond system time value.

Bit	Register	Reset value	Type	Description
				Add or Subtract Time
Bit 31	AST	0x0	ro	When this bit is set, the time value is subtracted from the value of the update register. When this bit is cleared, the time value is added to the value of the update register.
				Timestamp Sub Seconds
Bit 30:0	TSS	0x0000 0000	ro	This field indicates the subsecond system time with 0.46 ns accuracy. When the bit9 is set in the EMAC_PTPTCTRL register, each bit represents 1 ns, with the value programmed not exceeding the 0x3B9A_C9FF.

26.3.49 Ethernet PTP time stamp high update register (EMAC_PTPTSHUD)

System time second update register and system nanosecond update register initializes or updates the system time maintained by the MAC. It is required to write both registers before setting the TSINIT or TSUPDT bit in the EMAC_PTPTCTRL register.

Bit	Register	Reset value	Type	Description
				Timestamp Second
Bit 31:0	TS	0x0000 0000	rw	This field indicates the second value that is to be initialized or added to the system time.

26.3.50 Ethernet PTP time stamp low update register (EMAC_PTPTSLUD)

This register is present only when the IEEE1588 time stamp function is selected without an external time stamp input.

Bit	Register	Reset value	Type	Description
				Add or Subtract Time
Bit 31	AST	0x0	rw	When this bit is set, the time value is subtracted from the value of the update register. When this bit is cleared, the time value is added to the value of the update register.
				Timestamp Sub Seconds
Bit 30:0	TSS	0x0000 0000	rw	This field indicates the subsecond system time with 0.46 ns accuracy. When the bit9 is set in the EMAC_PTPTCTRL register, each bit represents 1 ns, with the value programmed not exceeding the 0x3B9A_C9FF.

26.3.51 Ethernet PTP time stamp addend register (EMAC_PTPTSAD)

This register value is used only when the system time is configured for Fine update mode. This register value is added to a 32-bit accumulator at every clock cycle (of clk_ptp_ref_i). The system time is updated whenever the accumulator overflows.

Bit	Register	Reset value	Type	Description
				Timestamp Addend Register
Bit 31:0	TAR	0x0000 0000	rw	This field indicates the 32-bit time value to be added to the accumulator in order to achieve time synchronization.

26.3.52 Ethernet PTP target time high register (EMAC_PTPTTH)

Target time second register and target time subsecond register are used to schedule an interrupt event when the system time exceeds the value programmed in these registers.

Bit	Register	Reset value	Type	Description
Bit 31:0	TTSR	0x0000 0000	rw	<p>Target Time Seconds Register</p> <p>This register stores the time value in seconds. When the time stamp value equals or exceeds both target time stamp registers, the MAC starts or stops PPS signal output depending on the bit [6: 5] of the PPS control register. An interrupt is generated if enabled.</p>

26.3.53 Ethernet PTP target time low register (EMAC_PTPTTL)

Bit	Register	Reset value	Type	Description
Bit 31:0	TTLR	0x0000 0000	rw	<p>Target Timestamp Low Register</p> <p>This register stores the time (signed) in nanoseconds. When the value of the time stamp equals both target time stamp registers, the MAC starts or stops PPS signal output depending on the TRGTMODSEL0 (bit [6: 5]) of the PPS control register. An interrupt is generated if enabled.</p> <p>When the bit 9 (TSCTRLSSR) is set in the MAC_PTPTSCTR register, the value of this field cannot exceed the 0x3B9A_C9FF. The actual time that starts or stops PPT signal output may have an error of up to 1 subsecond increment value.</p>

26.3.54 Ethernet PTP time stamp status register (EMAC_PTPTSSR)

Bit	Register	Reset value	Type	Description
Bit 31:2	Reserved	0x0000 0000	resd	Kept at its default value.
Bit 1	TTTR	0x0	ro	<p>Timestamp Target Time Reached</p> <p>When this bit is set, it indicates the value programmed when the system time equals or exceeds the target time second register and target time nanosecond register.</p>
Bit 0	TSO	0x0	ro	<p>Timestamp Seconds Overflow</p> <p>When this bit is set, it indicates that the time stamp value (V2 format supported) overflows and has exceeded the 32'hFFFF_FFFF.</p>

26.3.55 Ethernet PTP PPS register (EMAC_PTPTPPSCR)

Bit	Register	Reset value	Type	Description
Bit 31: 4	Reserved	0x0000000	resd	Kept at its default value.
				<p>PPS0 Output Frequency Control</p> <p>The output of this field depends on the emac_pps_sel bit (bit 15 in the CRM_MISC2 register)</p> <p>Emac_pps_sel=0:</p> <p>0000: 1 Hz, use binary rollover control, pulse width is 125 ms; use digital rollover, pulse width is 100 ms</p> <p>0001: 2 hz, use binary rollover control, duty cycle is 50% (digital rollover is not recommended)</p> <p>0010: 4 hz, se binary rollover control, duty cycle is 50% (digital rollover is not recommended)</p> <p>0011: 8 hz, use binary rollover control, duty cycle is 50%(digital rollover is not recommended)</p> <p>0100: 16 hz, use binary rollover control, duty cycle is 50% (digital rollover is not recommended)</p> <p>1111: 32.768 khz, use binary rollover control, duty cycle is 50% (digital rollover is not recommended)</p>
Bit 3: 0	POFC	0x0	rw	<p>Emac_pps_sel=1:</p> <p>0000: 1 Hz, pulse width is one clk_ptp cycle</p> <p>0001: For binary rollover, 2hz, duty cycle 50%; For digital rollover, 1hz (digital rollover is not recommended)</p> <p>0010: For binary rollover, 4hz, duty cycle 50%; For digital rollover, 2hz (digital rollover is not recommended)</p> <p>0011: For binary rollover, 8hz, duty cycle 50%; For digital rollover, 4hz (digital rollover is not recommended)</p> <p>1111: For binary rollover, 32.768khz, duty cycle 50%; For digital rollover, 16.384khz (digital rollover is not recommended)</p> <p>Ditial rollover is not recommended when the PPS is non-zero value, because PPS output waveforms will be irregular (although its averay frequency is always correct in any one-second window) in these cases.</p>

27 Debug (DEBUG)

27.1 Debug introduction

Cortex™-M4F core provides powerful debugging features including halt and single step support, as well as trace function that is used for checking the details of the program execution. The debug features are implemented with two interfaces: serial wire debug (SWD) and JTAG debug port. Trace information is collected by a single-wire serial wire view interface, or by TRACE interface when a larger trace bandwidth is needed. Trace and debugging interfaces can be combined into one interface.

ARM Cortex™-M4F reference documentation:

- Cortex™-M4 Technical Reference Manual (TRM)
- ARM Debug Interface V5
- ARM CoreSight Design Kit revision r1p0 Technical Reference Manual

27.2 Debug and Trace

It is possible to support debugging for different peripherals, and configure the working status of peripherals during debugging. For timers and watchdogs, the user can select whether or not to stop or continue counting during debugging; For CAN, the user can select whether or not to stop or continue updating receive registers during debugging; For I2C, the user can select whether or not to stop or continue SMBUS timeout counting.

In addition, code debugging is supported in Low-Power mode. In Sleep mode, the clock programmed by code remains active for HCLK and FCLK to continue to work. In DeepSleep mode, HICK oscillator is enabled to feed FCLK and HCLK.

There are several ID codes inside the MCU, which is accessible by the debugger using the `DEBUG_IDCODE` at address `0xE0042000`. It is part of the `DEBUG` and is mapped on the external PPB bus. These codes are accessible using the JTAG debug port or the SWD debug port or by the user software. They are even accessible while the MCU is under system reset.

Two trace interface modes supported: single-pin mode for serial wire view and multi-pin trace interface.

27.3 I/O pin control

SWJ-DP is supported in different packages of AT32F403A/407. It uses 5 general-purpose I/O ports. After reset, the SWJ-DP can be immediately used by the debugger as a default function. To ensure that JTAG input pins are not floating (especially SWCLK/JTCK), the JTAG input pins are embedded with internal pull-up or pull-down feature, `NJTRST`, `JTDI` and `JTMS/SWDIO` with internal pull-up feature, and `JTCK/SWCLK` with internal pull-down feature.

When the user wants to switch to a different debug port or disable debug feature, either `IOMUX_MAPR` or `IOMUX_MAPR7` register can be configured to release these dedicated I/O pins. Once a corresponding debug I/O is released by the user, the GPIO controller takes control, and then these I/Os can be used as general-purpose I/Os.

For trace feature, it is possible to set the `TRACE_IOEN` and `TRACE_MODE` bits in the `DEBUG_CTRL` register to enable trace function and select trace modes.

Table 27-1 Trace function enable

TRACE_IOEN	Description
0	No Trace (default state)
1	Trace enabled

Table 27-2 Trace function mode

TRACE _MODE[1: 0]	PB3/JTDO/TR ACESWO	PE2/TRAC ECK	PE3/TRAC ED[0]	PE4/TRAC ED[1]	PE5/TRACE D[2]	PE6/TRAC ED[3]
00	Asynchronous trace	TRACESWO	Released (can be used as general-purpouse I/Os)			
01	Synchronous trace	Released (can be used as general-purpouse I/Os)	TRAC ECK	TRAC ED[0]	Released (can be used as general-purpouse I/Os)	
10	Synchronous trace		TRAC ECK	TRAC ED[0]	TRAC ED[1]	Released (can be used as general-purpouse I/Os)
11	Synchronous trace		TRACE CK	TRACE D[0]	TRACE D[1]	TRACE D[2]

27.4 DEBUG registers

Table 27-3 shows debug register map and its reset values.

The peripheral registers can be accessed by words (32-bit).

Table 27-3 DEBUG register address and reset value

Register	Offset	Reset value
DEBUG_IDCODE	0xE004 2000	0xFFFF XXXX
DEBUG_CTRL	0xE004 2004	0x0000 0000

27.4.1 DEBUG device ID (DEBUG_IDCODE)

MCU integrates an ID code that is used to identify MCU's revision. The DEBUG_IDCODE register is mapped on the external PPB bus at address 0xE0042000. This code is accessible by the JTAG debug port or SW debug port or by the user code.

Bit	Register	Reset value	Type	Description
Bit 31: 0	PID	0xFFFF XXXX	ro	PID information

PID [31: 0]	AT32 part number	FLASH size	Packages
0x7005_0240	AT32F403AVCT7	256KB	LQFP100
0x7005_0241	AT32F403ARCT7	256KB	LQFP64
0x7005_0242	AT32F403ACCT7	256KB	LQFP48
0x7005_0243	AT32F403ACCU7	256KB	QFN48
0x7005_0344	AT32F403AVGT7	1024KB	LQFP100
0x7005_0345	AT32F403ARGT7	1024KB	LQFP64
0x7005_0346	AT32F403ACGT7	1024KB	LQFP48
0x7005_0347	AT32F403ACGU7	1024KB	QFN48
0x7005_0249	AT32F407VCT7	256KB	LQFP100
0x7005_024A	AT32F407RCT7	256KB	LQFP64
0x7005_034B	AT32F407VGT7	1024KB	LQFP100
0x7005_034C	AT32F407RGT7	1024KB	LQFP64
0x7005_02CD	AT32F403AVET7	512KB	LQFP100
0x7005_02CE	AT32F403ARET7	512KB	LQFP64
0x7005_02CF	AT32F403ACET7	512KB	LQFP48
0x7005_02D0	AT32F403ACEU7	512KB	QFN48
0x7005_02D1	AT32F407VET7	512KB	LQFP100
0x7005_02D2	AT32F407RET7	512KB	LQFP64
0x7005_0353	AT32F407AVGT7	1024KB	LQFP100
0x7005_0254	AT32F407AVCT7	256KB	LQFP100

27.4.2 DEBUG control register (DEBUG_CTRL)

This register is asynchronously reset by POR Reset (not reset by system reset). It can be written by the debugger under reset.

Bit	Register	Reset value	Type	Description
Bit 31	I2C3_SMBUS_TIMEOUT	0x0	rw	I ² C3 pause control bit 0: Work normally 1: I ² C3 SMBUS timeout control is disabled
Bit 30	TMR11_PAUSE	0x0	rw	TMR11 pause control bit 0: Work normally 1: Timer is disabled
Bit 29	TMR10_PAUSE	0x0	rw	TMR10 pause control bit 0: Work normally 1: Timer is disabled
Bit 28	TMR9_PAUSE	0x0	rw	TMR9 pause control bit 0: Work normally 1: Timer is disabled
Bit 27	TMR14_PAUSE	0x0	rw	TMR14 pause control bit 0: Work normally 1: Timer is halted
Bit 26	TMR13_PAUSE	0x0	rw	TMR13 pause control bit 0: Work normally 1: Timer is disabled
Bit 25	TMR12_PAUSE	0x0	rw	TMR12 pause control bit 0: Work normally 1: Timer is disabled
Bit 24: 22	Reserved	0x0	resd	Kept at 0
Bit 21	CAN2_PAUSE	0x0	rw	CAN2 pause control bit 0: CAN2 works normally 1: CAN2 receive registers do not continue to receive data
Bit 20	TMR7_PAUSE	0x0	rw	TMR7 pause control bit 0: Work normally 1: Timer is disabled
Bit 19	TMR6_PAUSE	0x0	rw	TMR6 pause control bit 0: Work normally 1: Timer is disabled
Bit 18	TMR5_PAUSE	0x0	rw	TMR5 pause control bit 0: Work normally 1: Timer is disabled
Bit 17	TMR8_PAUSE	0x0	rw	TMR8 pause control bit 0: Work normally 1: Timer is disabled
Bit 16	I2C2_SMBUS_TIMEOUT	0x0	rw	I ² C2 pause control bit 0: Work normally 1: I ² C2 SMBUS timeout control is disabled
Bit 15	I2C1_SMBUS_TIMEOUT	0x0	rw	I ² C1 pause control bit 0: Work normally 1: I ² C1 SMBUS timeout control is disabled
Bit 14	CAN1_PAUSE	0x0	rw	CAN1 pause control bit 0: CAN1 works normally 1: CAN1 receive registers do not continue to receive data

Bit 13	TMR4_PAUSE	0x0	rw	TMR4 pause control bit 0: Work normally 1: Timer is disabled
Bit 12	TMR3_PAUSE	0x0	rw	TMR3 pause control bit 0: Work normally 1: Timer is disabled
Bit 11	TMR2_PAUSE	0x0	rw	TMR2 pause control bit 0: Work normally 1: Timer is disabled
Bit 10	TMR1_PAUSE	0x0	rw	TMR1 pause control bit 0: Work normally 1: Timer is disabled
Bit 9	WWDT_PAUSE	0x0	rw	Window watchdog pause control bit 0: Window watchdog works normally 1: Window watchdog is stopped
Bit 8	WDT_PAUSE	0x0	rw	watchdog pause control bit 0: Watchdog works normally 1: Watchdog is stopped
Bit 7: 6	TRACE_MODE	0x0	rw	Trace pin assignment control 00: Asynchronous mode 01: Synchronous mode with a data length of 1 10: Synchronous mode with a data length of 2 11: Synchronous mode with a data length of 4
Bit 5	TRACE_IOEN	0x0	rw	Trace pin assignment enable 0: No trace (default state) 1: Trace is enabled
Bit 4: 3	Reserved	0x0	resd	Kept at 0
Bit 2	STANDBY_DEBUG	0x0	rw	Debug Standby mode control bit 0: The whole 1.2V digital circuit is unpowered in Standby mode 1: The whole 1.2V digital circuit is not unpowered in Standby mode, and the system clock is provided by the internal RC oscillator (HICK)
Bit 1	DEEPSLEEP_DEBUG	0x0	rw	Debug Deepsleep mode control bit 0: In Deepsleep mode, all clocks in the 1.2V domain are disabled. When exiting from Deepsleep mode, the internal RC oscillator (HICK) is enabled, and HICK is used as the system clock source, and the software must reprogram the system clock according to application requirements. 1: In Deepsleep mode, system clock is provided by the internal RC oscillator (HICK). When exiting from Deepsleep mode, HICK is used as the system clock source, and the software must reprogram the system clock according to application requirements.
Bit 0	SLEEP_DEBUG	0x0	rw	Debug Sleep mode control bit 0: When entering Sleep mode, CPU HCLK clock is disabled, but other clocks remain active. When exiting from Sleep mode, it is not necessary to reprogram the clock system. 1: When entering Sleep mode, all clocks keep running.

28 Revision history

Document Revision History

Date	Version	Revision Note
2021.06.30	2.00	Initial release.
2021.10.22	2.01	<ol style="list-style-type: none"> 1. Update Figure 4- 1 to make it easier to read; 2. Revised some typos.
2021.12.01	2.02	Revised some typos.
2022.06.27	2.03	<ol style="list-style-type: none"> 1. Updated Section 11.5.1 Control register1 (I2C_CTRL1) 2. Updated Section 21.6.7 Error management 3. Updated Section 21.7 CAN registers 4. Added SPI protocol timing diagram in Section 13 Serial peripheral interface (SPI) 5. Updated Section 19.5.3 Alternate preempted trigger mode 6. Updated Table 22-27 7. Updated Section 22.6.1.5 SRAM/NOR Flash extra timing register 1, 4 (XMC_EXT1, 4)
2022.11.11	2.04	<ol style="list-style-type: none"> 1. Updated descriptions of Chapter 7 2. Updated descriptions of Chapter 10 3. Updated descriptions of Section 12.6.1 4. Updated descriptions of Section 12.6.2 5. Updated descriptions of of Chapter 14

IMPORTANT NOTICE – PLEASE READ CAREFULLY

Purchasers are solely responsible for the selection and use of ARTERY's products and services; ARTERY assumes no liability for purchasers' selection or use of the products and the relevant services.

No license, express or implied, to any intellectual property right is granted by ARTERY herein regardless of the existence of any previous representation in any forms. If any part of this document involves third party's products or services, it does NOT imply that ARTERY authorizes the use of the third party's products or services, or permits any of the intellectual property, or guarantees any uses of the third party's products or services or intellectual property in any way.

Except as provided in ARTERY's terms and conditions of sale for such products, ARTERY disclaims any express or implied warranty, relating to use and/or sale of the products, including but not restricted to liability or warranties relating to merchantability, fitness for a particular purpose (based on the corresponding legal situation in any judicial districts), or infringement of any patent, copyright, or other intellectual property right.

ARTERY's products are not designed for the following purposes, and thus not intended for the following uses: (A) Applications that have specific requirements on safety, for example: life-support applications, active implant devices, or systems that have specific requirements on product function safety; (B) Aviation applications; (C) Auto-motive application or environment; (D) Aerospace applications or environment, and/or (E) weapons. Since ARTERY products are not intended for the above-mentioned purposes, if purchasers apply ARTERY products to these purposes, purchasers are solely responsible for any consequences or risks caused, even if any written notice is sent to ARTERY by purchasers; in addition, purchasers are solely responsible for the compliance with all statutory and regulatory requirements regarding these uses.

Any inconsistency of the sold ARTERY products with the statement and/or technical features specification described in this document will immediately cause the invalidity of any warranty granted by ARTERY products or services stated in this document by ARTERY, and ARTERY disclaims any responsibility in any form.

© 2022 ARTERY Technology - All Rights Reserved.